



US00D690175S

(12) **United States Design Patent**
Lin

(10) **Patent No.:** **US D690,175 S**

(45) **Date of Patent:** **** Sep. 24, 2013**

(54) **RATCHET WRENCH**

(71) Applicant: **Da-Sen Lin**, Taichung (TW)

(72) Inventor: **Da-Sen Lin**, Taichung (TW)

(73) Assignee: **Pard Hardware Industrial Co., Ltd.**,
Taichung (TW)

(**) Term: **14 Years**

(21) Appl. No.: **29/443,646**

(22) Filed: **Jan. 20, 2013**

(51) **LOC (9) Cl.** **08-05**

(52) **U.S. Cl.**
USPC **D8/25**

(58) **Field of Classification Search**

USPC D8/24, 25, 60, 97, 107; 81/60-63,
81/176.15, 177.1, 177.85, 121.1, 124.3, 165-170,
81/110.1, 176.2, 124.6, 176.1, 177.2, 186;
16/110.1

See application file for complete search history.

(56) **References Cited**

U.S. PATENT DOCUMENTS

D182,318 S * 3/1958 Wright D8/25
3,393,587 A * 7/1968 Jolliff et al. 81/63.2
4,211,127 A * 7/1980 D'Oporto et al. 81/63
D429,979 S * 8/2000 Chiang D8/25

D431,763 S * 10/2000 Liu D8/25
6,332,380 B1 * 12/2001 Macor 81/177.1
6,334,377 B1 * 1/2002 Wu 81/478
D558,009 S * 12/2007 Kinskey D8/25
D576,457 S * 9/2008 Chen D8/27
D623,031 S * 9/2010 Johnson et al. D8/25
7,836,781 B1 * 11/2010 Chen 73/862.22
8,245,606 B2 * 8/2012 Chiang 81/483

* cited by examiner

Primary Examiner — Randall Gholson

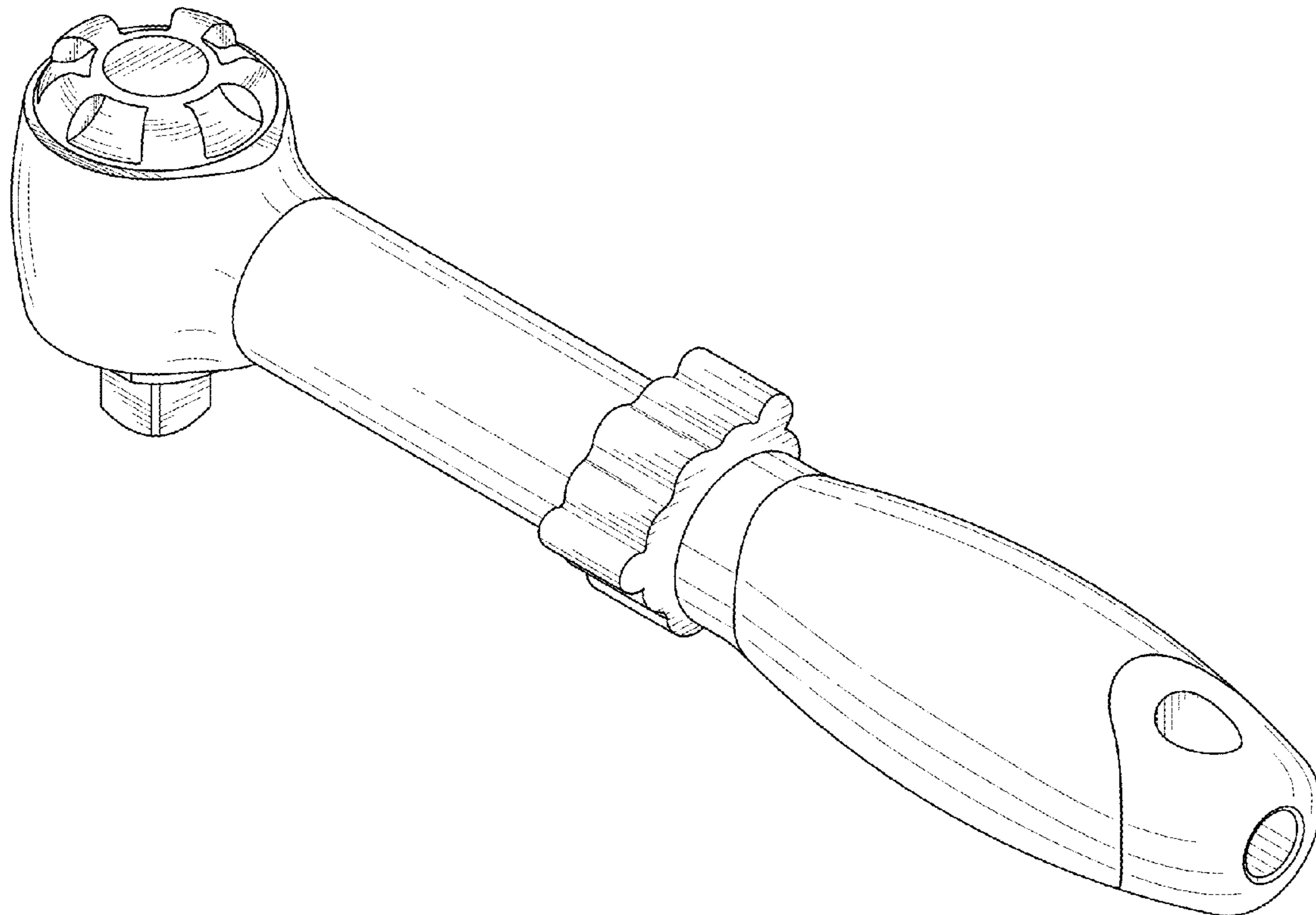
(57) **CLAIM**

I claim the ornamental design for a ratchet wrench, as shown and described.

DESCRIPTION

FIG. 1 is a perspective view of a ratchet wrench, showing my new design;
FIG. 2 is the other side perspective view of a ratchet wrench, showing my new design;
FIG. 3 is a front elevational view thereof;
FIG. 4 is a rear elevational view thereof;
FIG. 5 is a left side elevational view thereof;
FIG. 6 is a right side elevational view thereof;
FIG. 7 is a top plan view thereof; and,
FIG. 8 is a bottom plan view thereof.

1 Claim, 8 Drawing Sheets



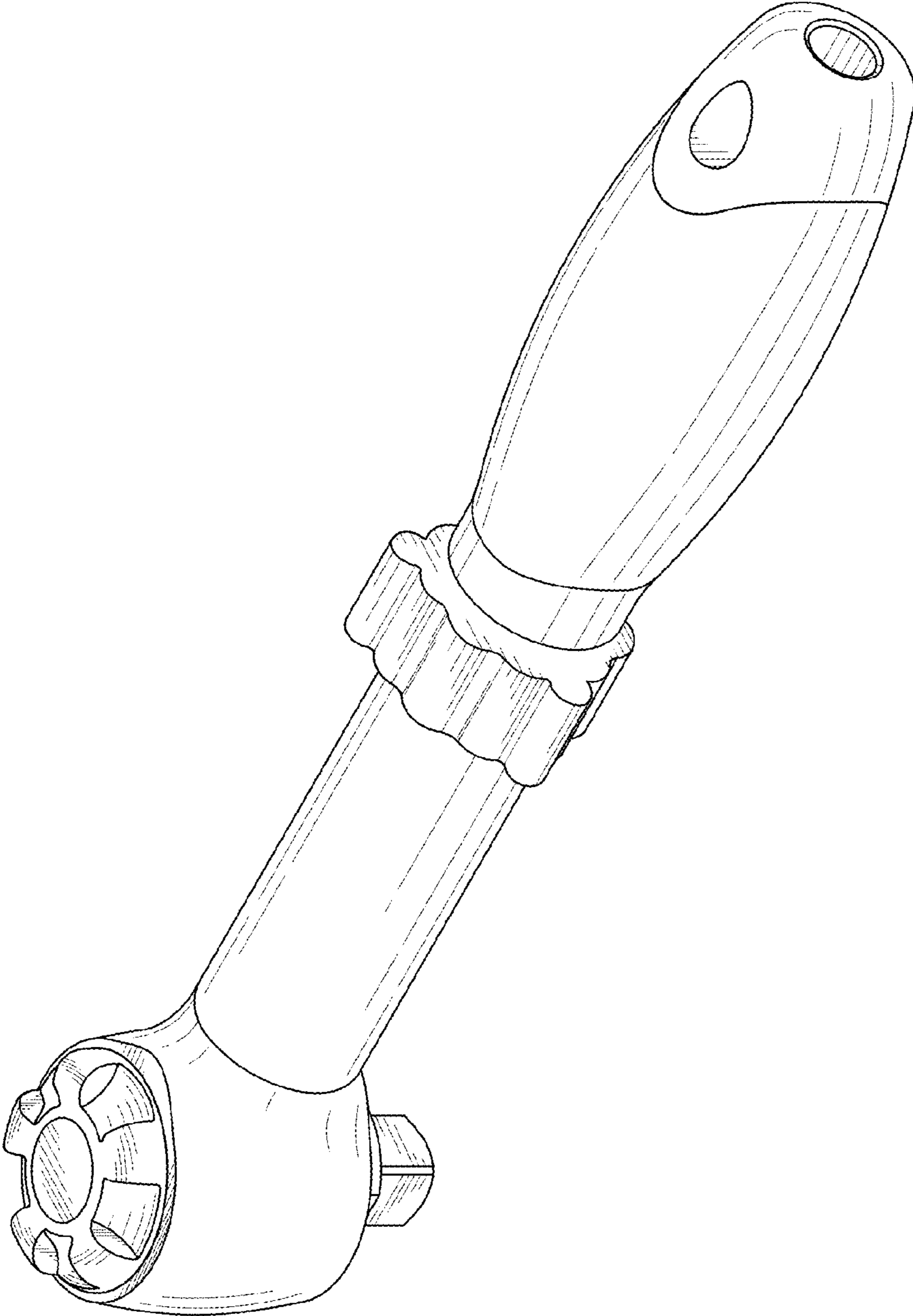


FIG. 1

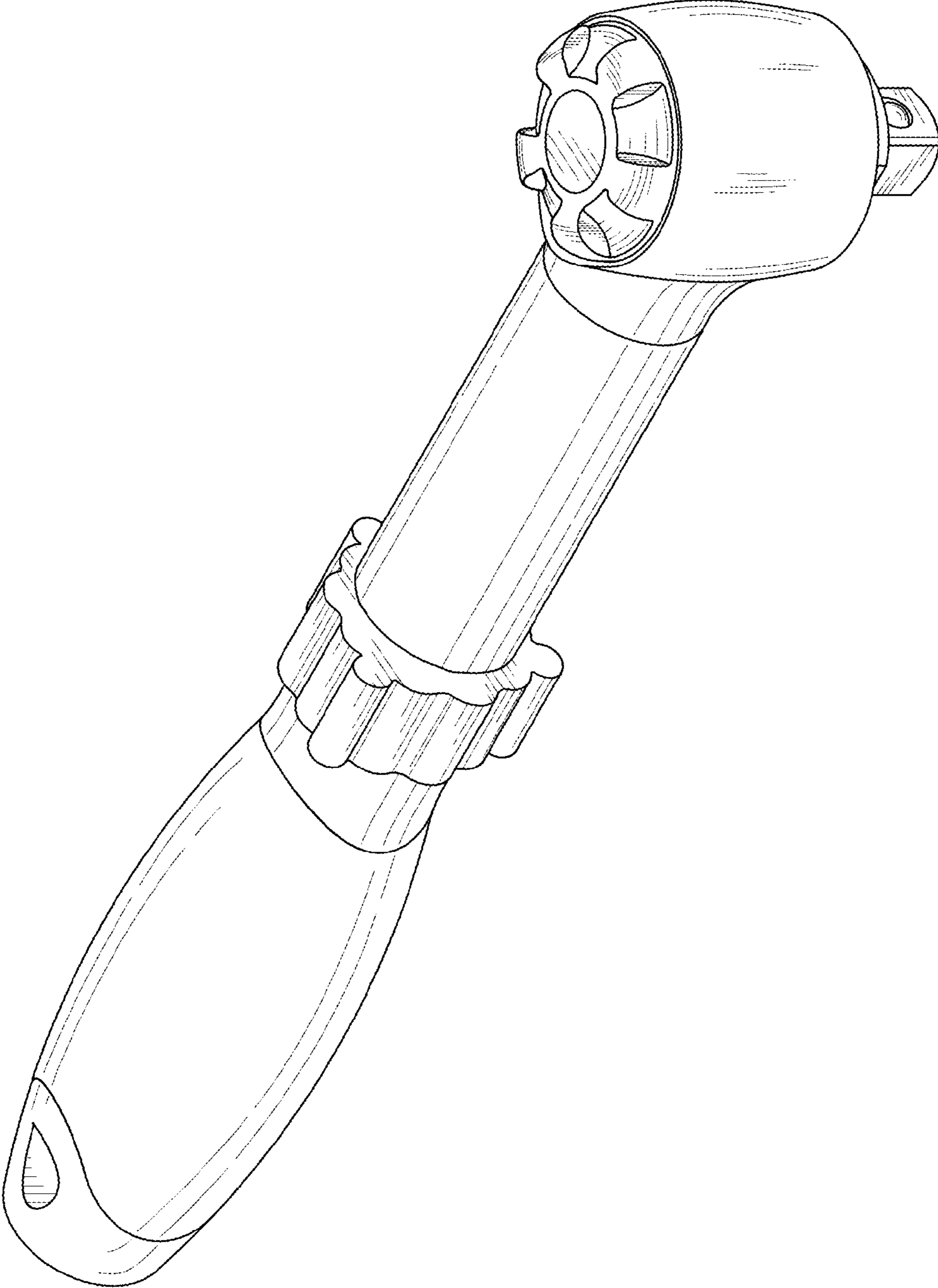


FIG. 2

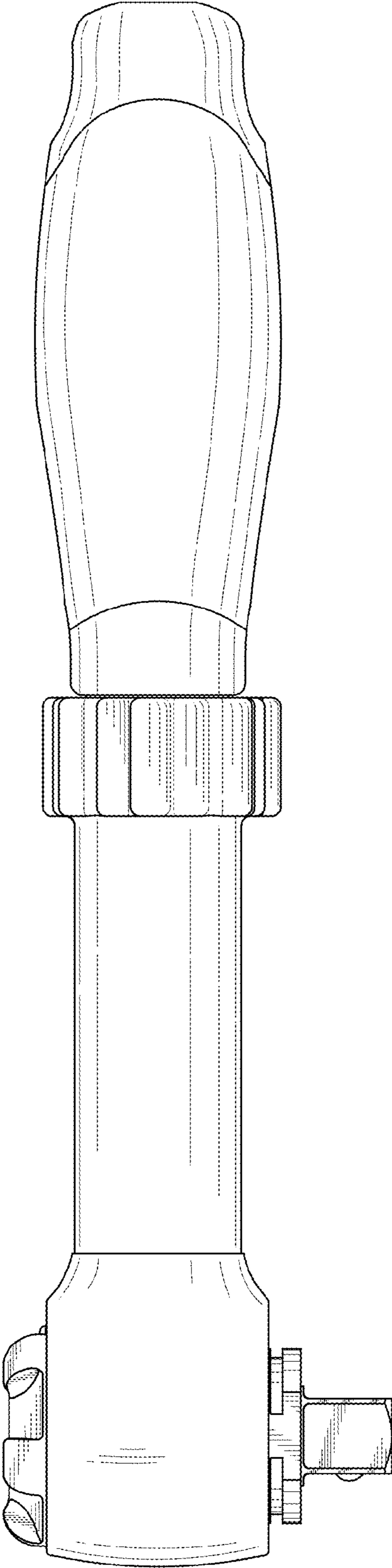


FIG. 3

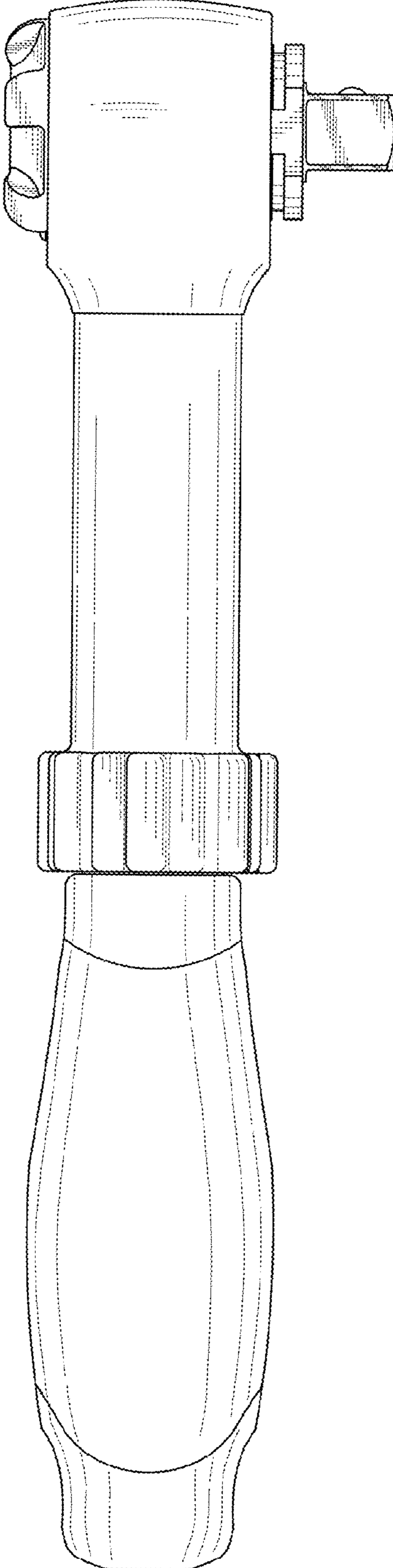


FIG. 4

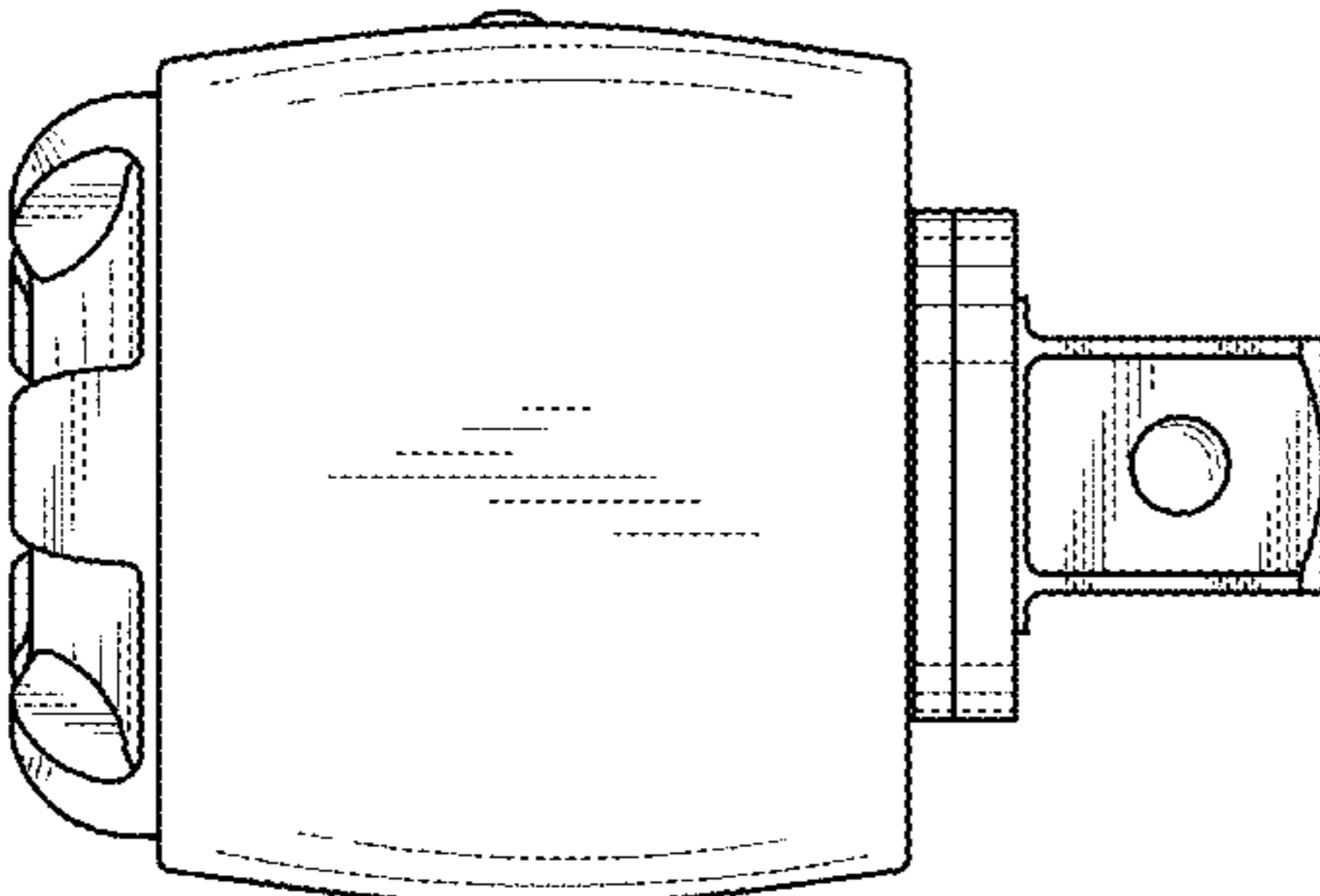


FIG. 5

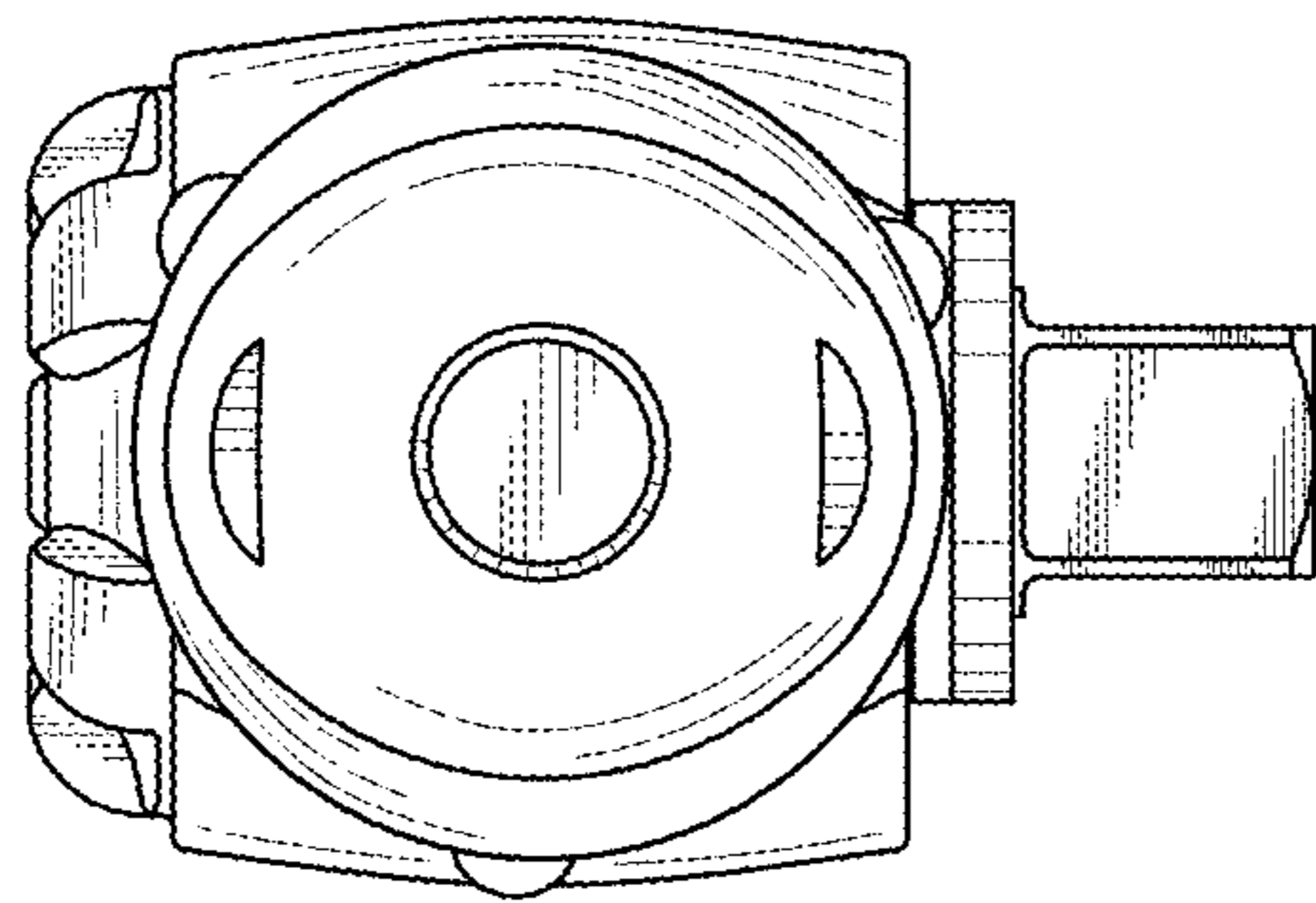


FIG. 6

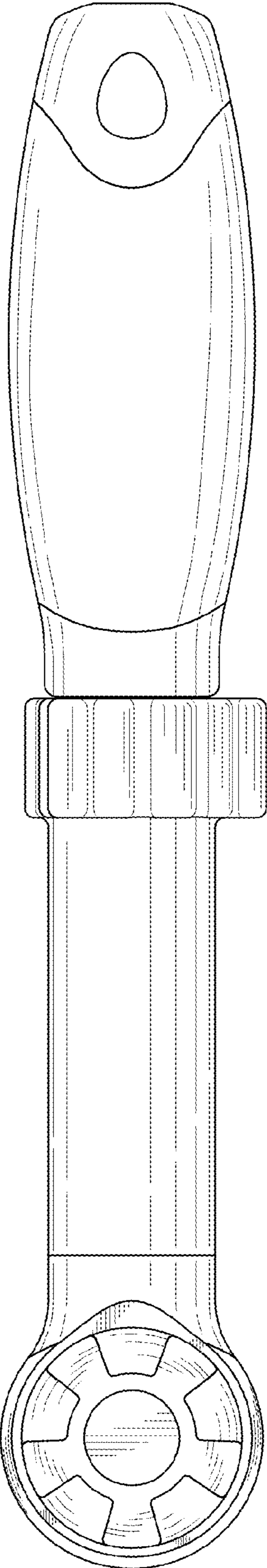


FIG. 7

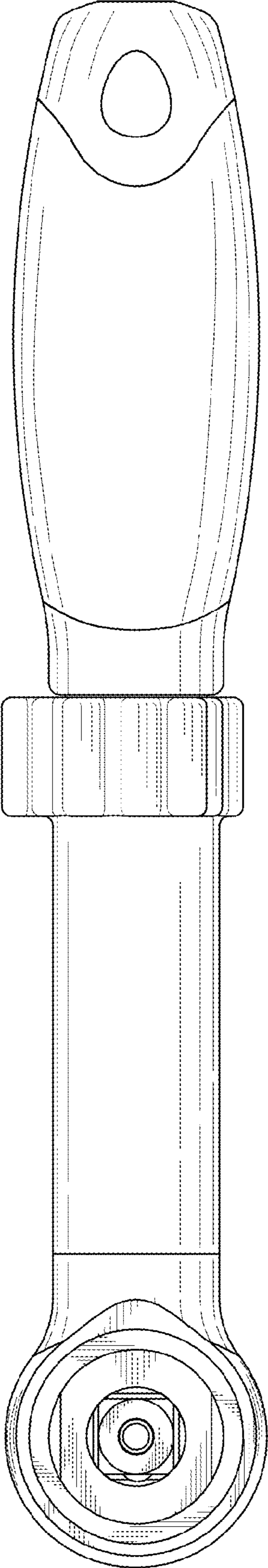


FIG. 8