



US00D690170S

(12) **United States Design Patent**
Harris et al.

(10) **Patent No.:** **US D690,170 S**
(45) **Date of Patent:** **** Sep. 24, 2013**

(54) **FOOD CUTTER**

(75) Inventors: **E. Mark Harris**, McHenry, IL (US);
James C. Hand, Glen Ellyn, IL (US)

(73) Assignee: **Columbia Insurance Company**,
Omaha, NE (US)

(**) Term: **14 Years**

(21) Appl. No.: **29/427,855**

(22) Filed: **Jul. 23, 2012**

Related U.S. Application Data

(63) Continuation-in-part of application No. 29/398,661,
filed on Aug. 3, 2011.

(51) **LOC (9) Cl.** **07-04**

(52) **U.S. Cl.**
USPC **D7/673**

(58) **Field of Classification Search**

USPC D7/323, 350.2, 354, 368, 381, 412,
D7/672-678, 693, 695, 371, 372, 376, 383,
D7/669, 683;
241/100, 95, 168, 169, 273.1-274, 285.2,
241/93, 101.1, 101.2; 30/92-95, 113.1, 114,
30/123.5, 124, 130, 165, 247, 279.6, 278,
30/279.2, 280, 283, 286, 287-291, 299, 301-306,
30/312, 314-316, 320, 321, 337, 340, 355,
30/389-391; 83/13, 87, 167, 404.3, 425.3,
83/431, 435.15, 436.2, 436.7, 437.7, 441.1,
83/451, 569, 581.1, 662, 669, 697, 698.11,
83/699.51, 699.61, 717, 837, 856, 857, 858,
83/874, 906, 932; 249/135, 66.1, 117, 119,
249/122-127, 155-156, 160, 169

See application file for complete search history.

(56) **References Cited**

U.S. PATENT DOCUMENTS

195,750 A	10/1877	East	
1,466,114 A *	8/1923	Buchi	30/302
1,744,422 A	1/1930	Taylor	
1,864,147 A	6/1932	Rantine	
2,206,316 A	7/1940	Bartholomew	
2,403,190 A *	7/1946	Parraga	30/303
2,424,015 A	7/1947	Booker	
D149,622 S	5/1948	Dougherty	
2,453,599 A *	11/1948	Schlegel	83/509
2,502,157 A	3/1950	Klejna	
2,647,549 A	8/1953	Koch	
2,733,746 A	2/1956	Rauner	
2,824,588 A	2/1958	Lyon et al.	
2,971,549 A	2/1961	Langville	

(Continued)

Primary Examiner — Ian Simmons

Assistant Examiner — Shannon Weekley

(74) *Attorney, Agent, or Firm* — Neal, Gerber & Eisenberg
LLP

(57) **CLAIM**

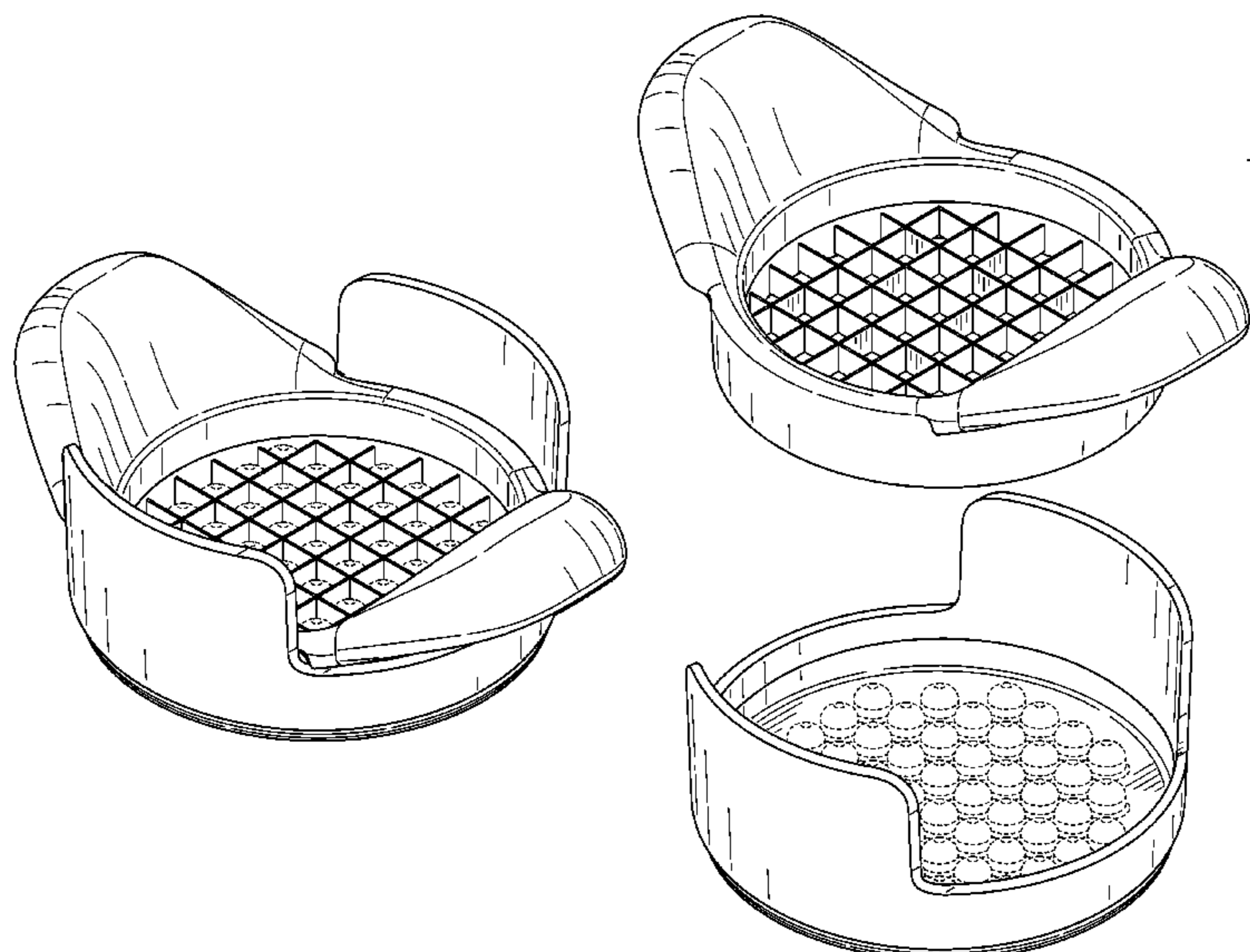
The ornamental design for a food cutter, as shown and
described.

DESCRIPTION

FIG. 1 is a top perspective view of the food cutter showing our
new design;
FIG. 2 is a front elevational view thereof;
FIG. 3 is a rear elevational view thereof;
FIG. 4 is a right side elevational view thereof;
FIG. 5 is a left side elevational view thereof;
FIG. 6 is a top plan view thereof;
FIG. 7 is a bottom plan view thereof; and,
FIG. 8 is an exploded top perspective view of the food cutter
of FIG. 1.

The broken lines immediately adjacent to claimed areas
shown in FIGS. 1, and 6-8 of the food cutter is for the purpose
of illustrating environment, and forms no part of the claimed
design.

1 Claim, 5 Drawing Sheets



(56)

References Cited

U.S. PATENT DOCUMENTS

3,669,013 A * 6/1972 Stein 100/211
 4,007,676 A 2/1977 Ellis
 4,100,676 A 7/1978 Ferguson
 4,569,280 A 2/1986 D'Ambro et al.
 D287,452 S 12/1986 Stern
 4,959,903 A 10/1990 Daoust
 D356,718 S * 3/1995 Johannessen D7/673
 D373,291 S * 9/1996 Auker D8/1
 D432,874 S 10/2000 Kari
 6,276,918 B1 8/2001 Slaughter et al.
 D473,109 S 4/2003 Birchansky
 6,557,260 B1 5/2003 Morris
 D501,371 S 2/2005 Lo
 D521,819 S 5/2006 So et al.
 7,086,155 B2 8/2006 Chan et al.
 D550,521 S 9/2007 Roberson
 7,266,894 B1 9/2007 Hinckley
 D582,220 S 12/2008 Farnum et al.
 7,480,999 B2 1/2009 Atwater
 7,568,414 B2 8/2009 Farid et al.

7,610,850 B2 11/2009 Jensen et al.
 7,658,010 B2 2/2010 So et al.
 7,836,822 B2 11/2010 Cheng
 D634,590 S * 3/2011 Ferguson D7/673
 D648,989 S * 11/2011 Coursey et al. D7/673
 D649,413 S * 11/2011 Coursey et al. D7/673
 8,046,921 B2 * 11/2011 Mastroianni 30/114
 D650,246 S * 12/2011 Harris et al. D7/673
 D650,247 S * 12/2011 Harris et al. D7/673
 2006/0254058 A1 11/2006 Chang
 2008/0168660 A1 7/2008 Chiu
 2008/0216628 A1 9/2008 Hamilton
 2008/0229938 A1 9/2008 Hutto
 2009/0193983 A1 8/2009 So
 2009/0205514 A1 8/2009 Cheng
 2009/0241344 A1 10/2009 Mastroianni
 2009/0246311 A1 * 10/2009 Hauser 425/519
 2009/0249965 A1 10/2009 Hauser
 2009/0282990 A1 11/2009 Farnum
 2012/0102760 A1 * 5/2012 Hauser 30/302
 2013/0025130 A1 * 1/2013 Bagley et al. 30/114

* cited by examiner

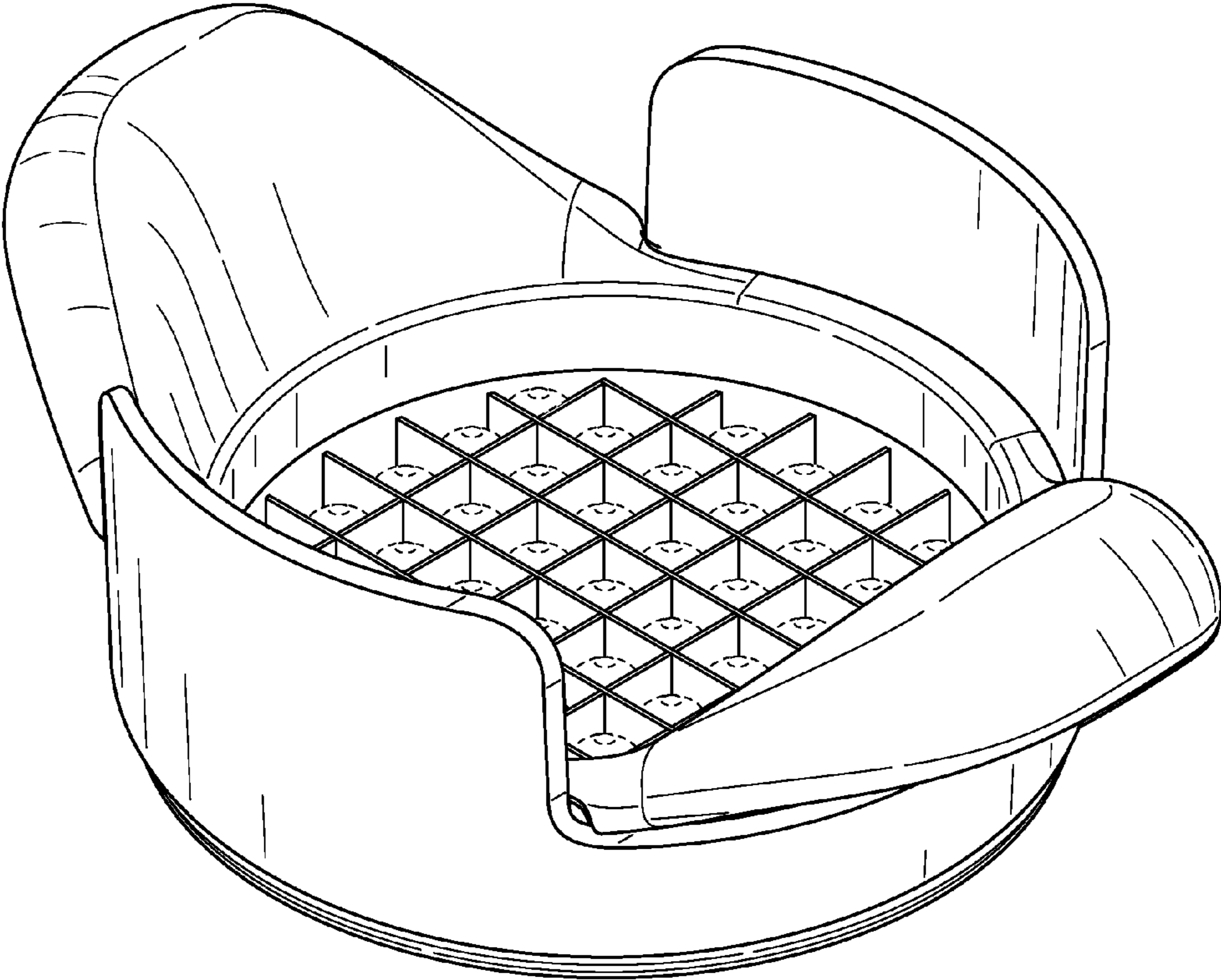


FIG. 1

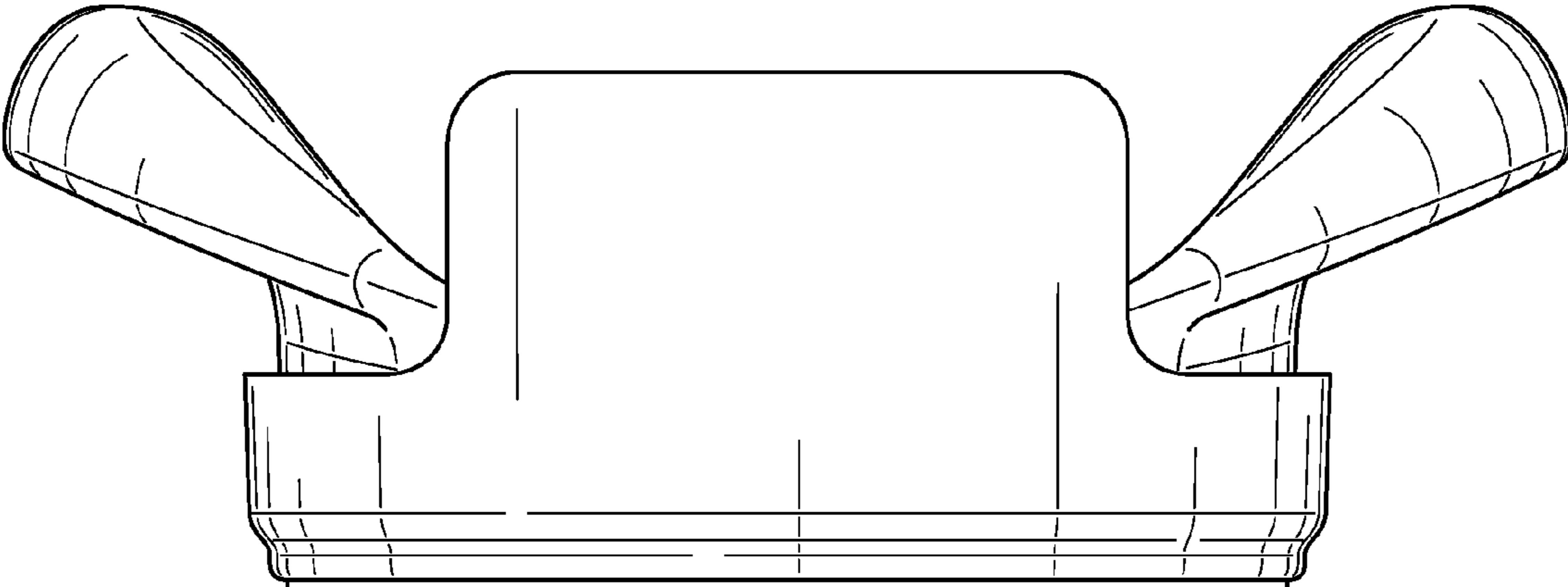


FIG. 2

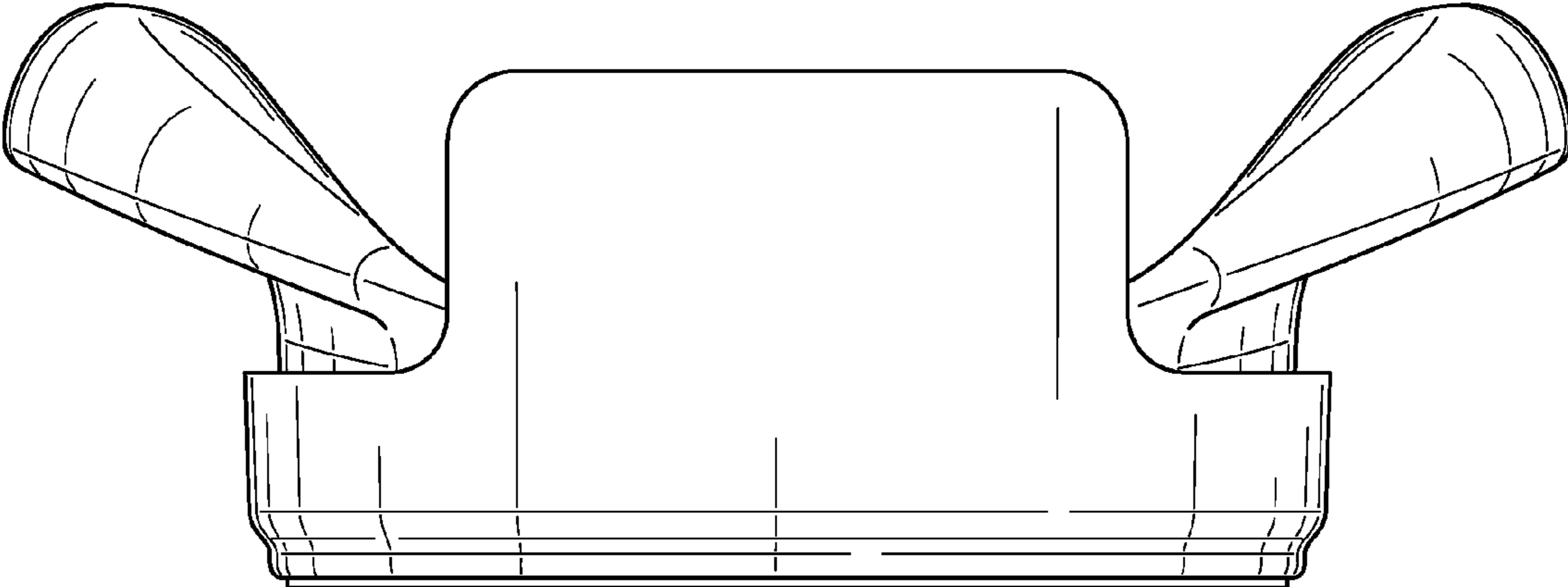


FIG. 3

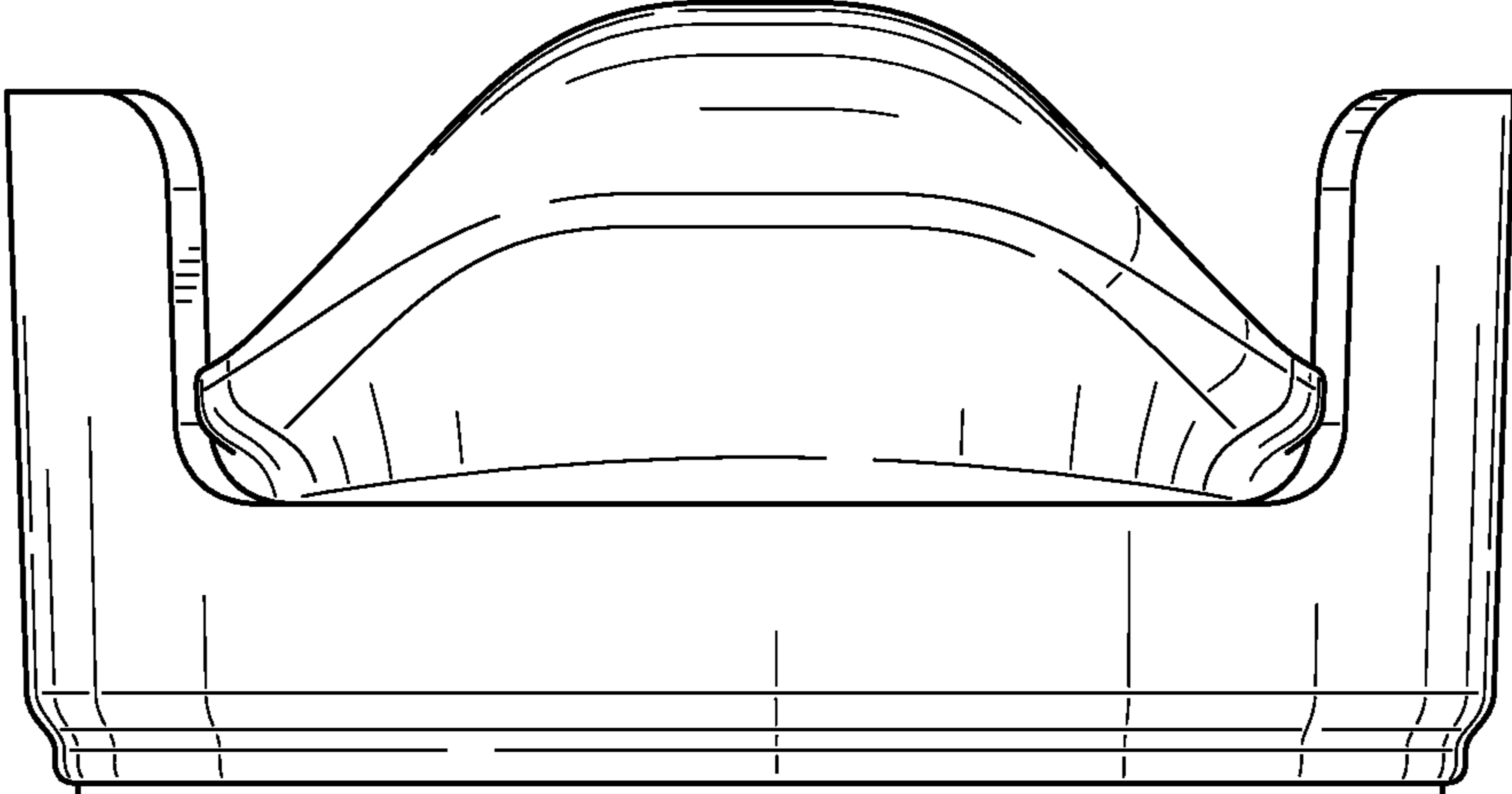


FIG. 4

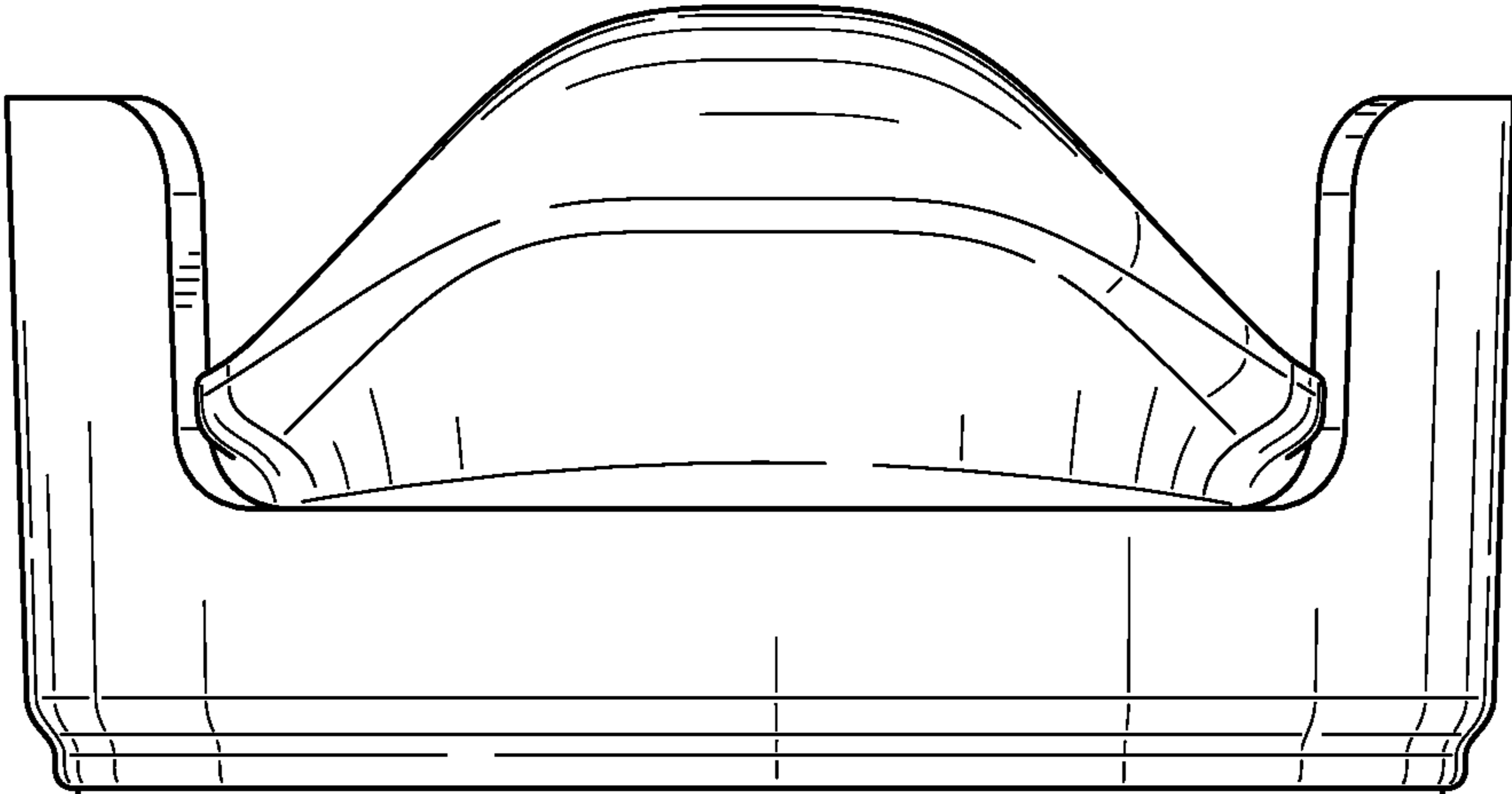


FIG. 5

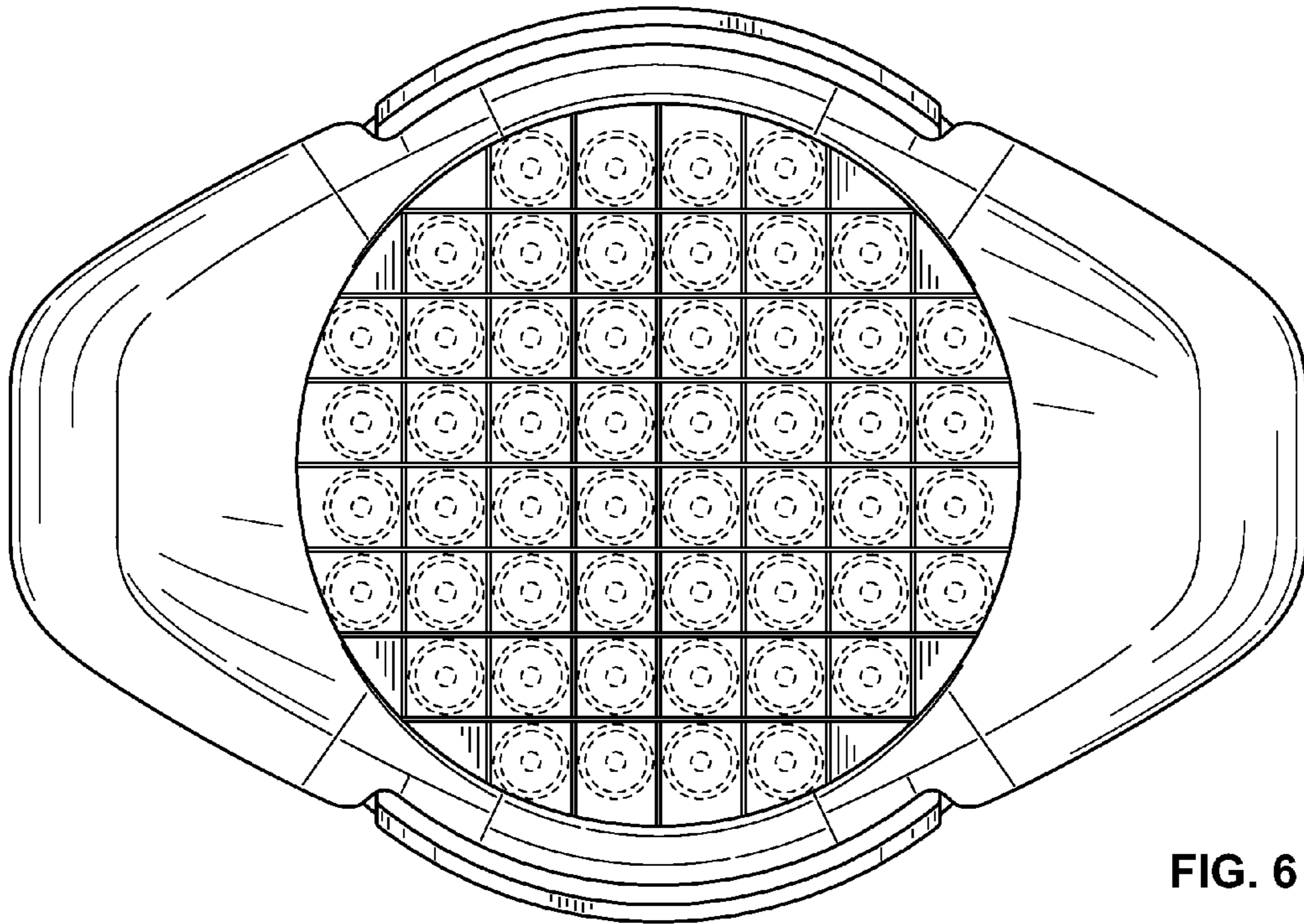


FIG. 6

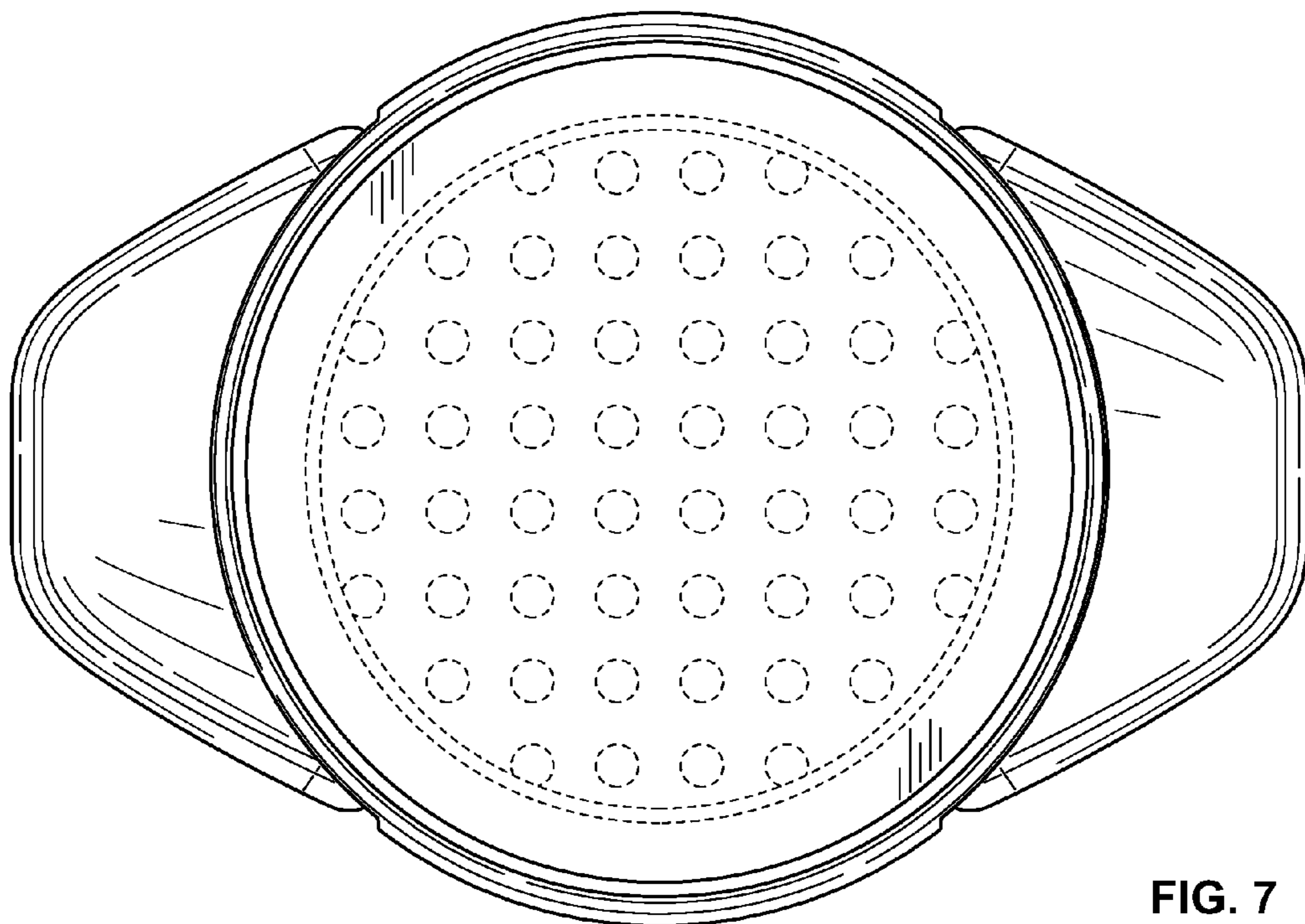


FIG. 7

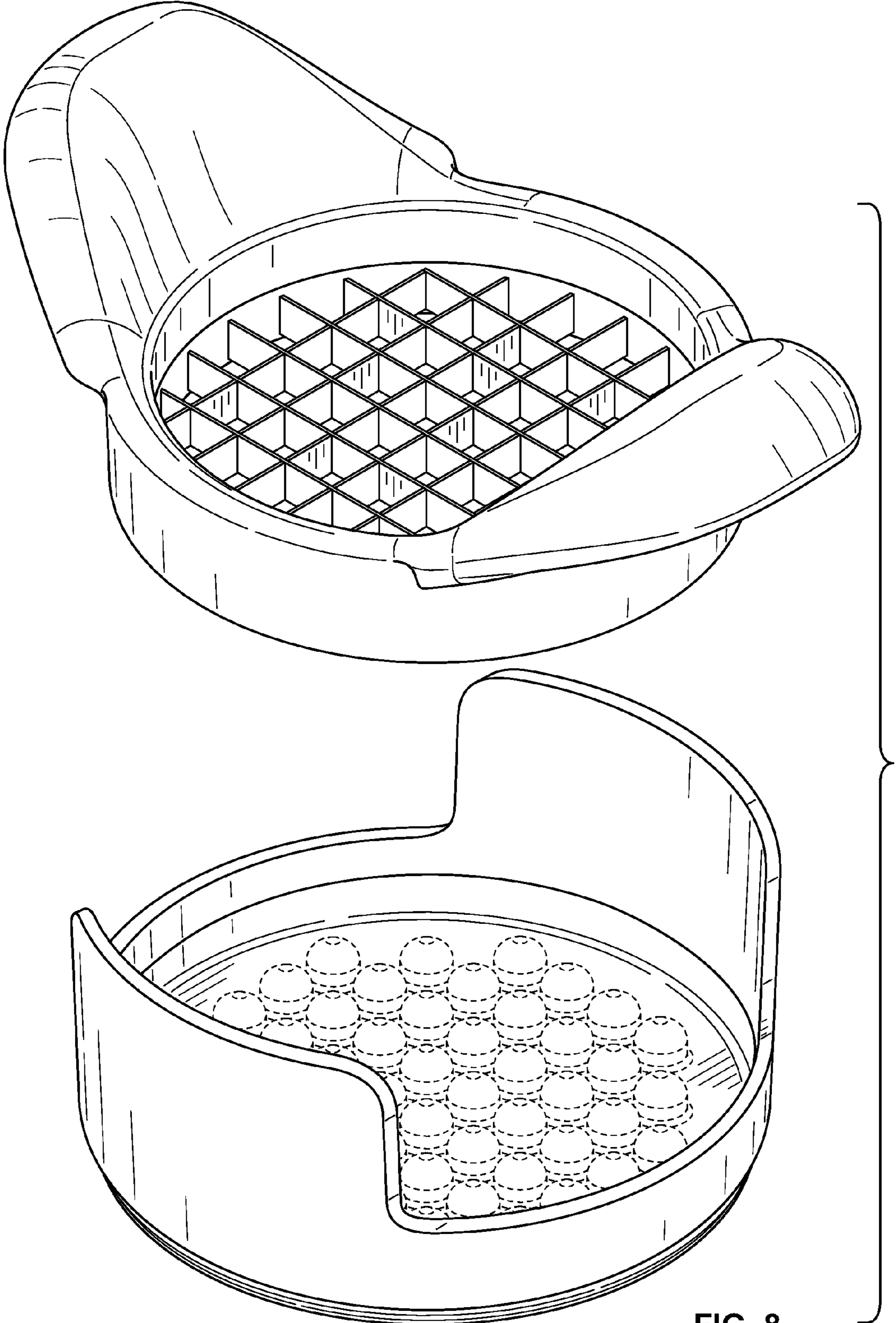


FIG. 8