

US00D690169S

(12) **United States Design Patent**  
**Zorovich et al.**

(10) **Patent No.:** **US D690,169 S**

(45) **Date of Patent:** **\*\* Sep. 24, 2013**

(54) **ICE POP MAKER**

(71) Applicants: **Kenneth D. Zorovich**, Hoboken, NJ (US); **John C. Earle**, Annapolis, MD (US); **Yos Kumthampinij**, Edgewater, NJ (US); **William Nickley**, Jersey City, NJ (US)

(72) Inventors: **Kenneth D. Zorovich**, Hoboken, NJ (US); **John C. Earle**, Annapolis, MD (US); **Yos Kumthampinij**, Edgewater, NJ (US); **William Nickley**, Jersey City, NJ (US)

(73) Assignee: **Propeller, Inc.**, Hoboken, NJ (US)

(\*\*) Term: **14 Years**

(21) Appl. No.: **29/443,373**

(22) Filed: **Jan. 16, 2013**

(51) **LOC (9) Cl.** ..... **07-04**

(52) **U.S. Cl.**  
USPC ..... **D7/672**

(58) **Field of Classification Search**  
USPC ..... D7/672-677, 354, 323, 368, 669;  
D1/101, 102, 105, 127; 249/91-93, 121,  
249/119, 133, 140, 120, 137, 139, 115, 117,  
249/134; D15/90; 62/345, 356, 457.1;  
425/118, 26.2, DIG. 249; 294/87.11  
See application file for complete search history.

(56) **References Cited**

U.S. PATENT DOCUMENTS

1,505,592	A	8/1924	Epperson	
1,987,945	A *	1/1935	Schnaler	249/92
2,317,067	A *	4/1943	Knaust	229/117.12
2,591,261	A *	4/1952	Holahan	249/92
2,946,207	A *	7/1960	Hulterstrum	249/92
D188,992	S *	10/1960	Morrison	D7/672
3,411,463	A *	11/1968	Moseres	249/92
4,239,175	A *	12/1980	Straubinger	249/92
D269,578	S *	7/1983	Straubinger	D7/672

(Continued)

Primary Examiner — Terry Wallace

(74) *Attorney, Agent, or Firm* — Greenberg Traurig, LLP

(57) **CLAIM**

The ornamental design for an ice pop maker, as shown and described.

**DESCRIPTION**

FIG. 1 is a top perspective view of an ice pop maker showing our new design.

FIG. 2 is a bottom perspective view thereof.

FIG. 3 is a top plan view thereof.

FIG. 4 is a bottom plan view thereof.

FIG. 5 is a right side view thereof, the left side view being a mirror image thereof.

FIG. 6 is a front view thereof, the rear view being identical thereof.

FIG. 7 is an exploded top perspective view thereof with an associated mold being removed therefrom.

FIG. 8 is a left side view of FIG. 7.

FIG. 9 is a right side view of FIG. 7.

FIG. 10 is a front view of FIG. 7.

FIG. 11 is a rear view of FIG. 7.

FIG. 12 is a top perspective view thereof showing ice pop sticks inserted therein.

FIG. 13 is a front view of FIG. 12, the rear view being identical.

FIG. 14 is top plan view of FIG. 12.

FIG. 15 is a right side view of FIG. 12, the left side view being identical.

FIG. 16 is an exploded top perspective view of FIG. 12, showing one of the sticks and associated mold being removed therefrom.

FIG. 17 is a left side view of FIG. 16.

FIG. 18 is a right side view of FIG. 16.

FIG. 19 is a front view of FIG. 16.

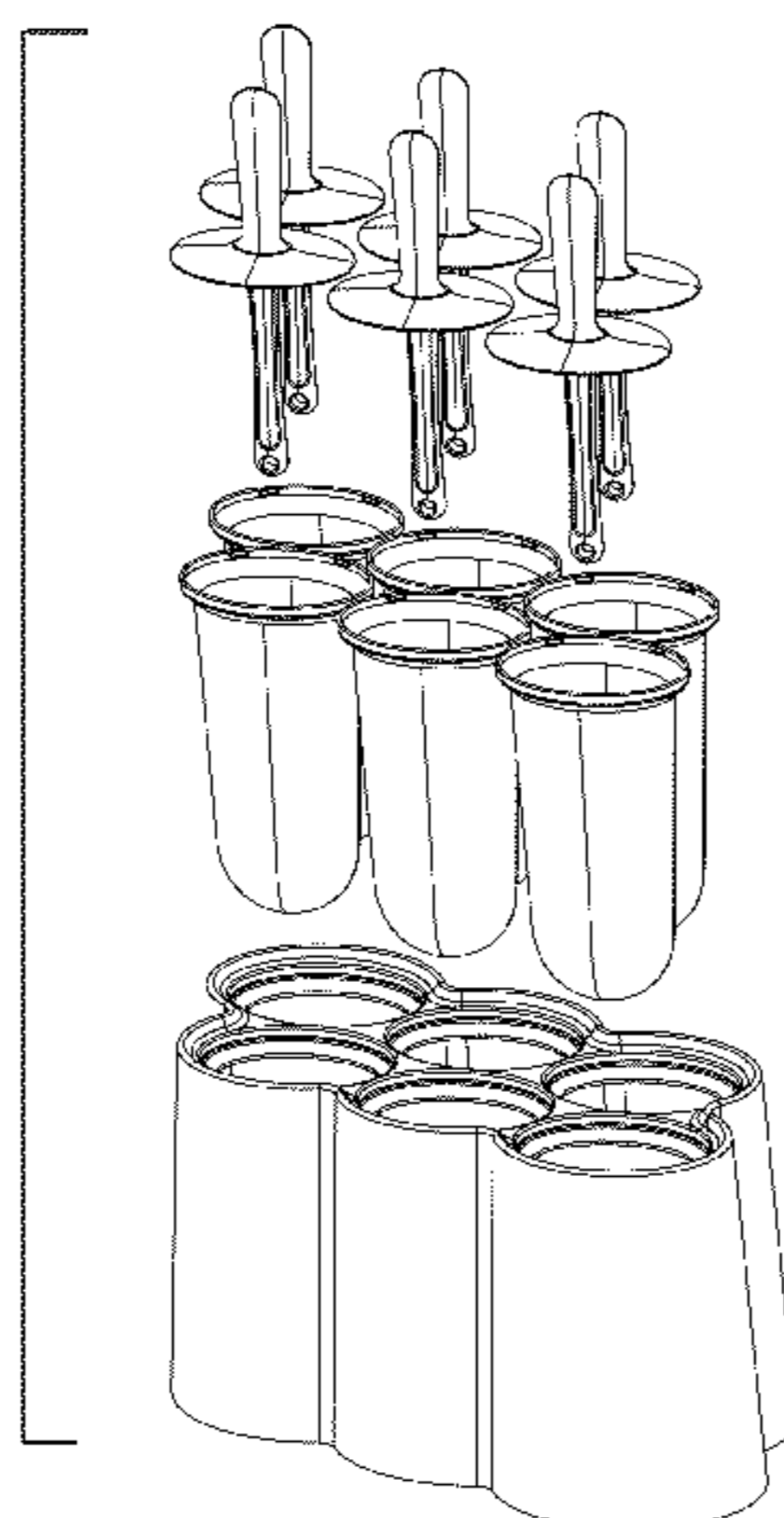
FIG. 20 is a rear view of FIG. 16.

FIG. 21 is an exploded top perspective view of FIG. 12, showing the associated molds and sticks removed therefrom; and,

FIG. 22 is an exploded top perspective view of FIG. 1, showing the associated molds removed therefrom.

The ice pop maker in FIGS. 1-11 and 22 is shown without the sticks for ease of illustration.

**1 Claim, 19 Drawing Sheets**



# US D690,169 S

Page 2

---

(56)

## References Cited

### U.S. PATENT DOCUMENTS

5,354,191 A \* 10/1994 Bobis ..... 425/118  
6,109,056 A 8/2000 Feldpausch  
6,301,919 B1 \* 10/2001 Blaustein et al. .... 62/345

6,425,438 B1 7/2002 Hahn  
D592,911 S \* 5/2009 Buchanan ..... D7/605  
D626,384 S 11/2010 Zorovich et al.  
2010/0183789 A1 7/2010 Zorovich et al.

\* cited by examiner

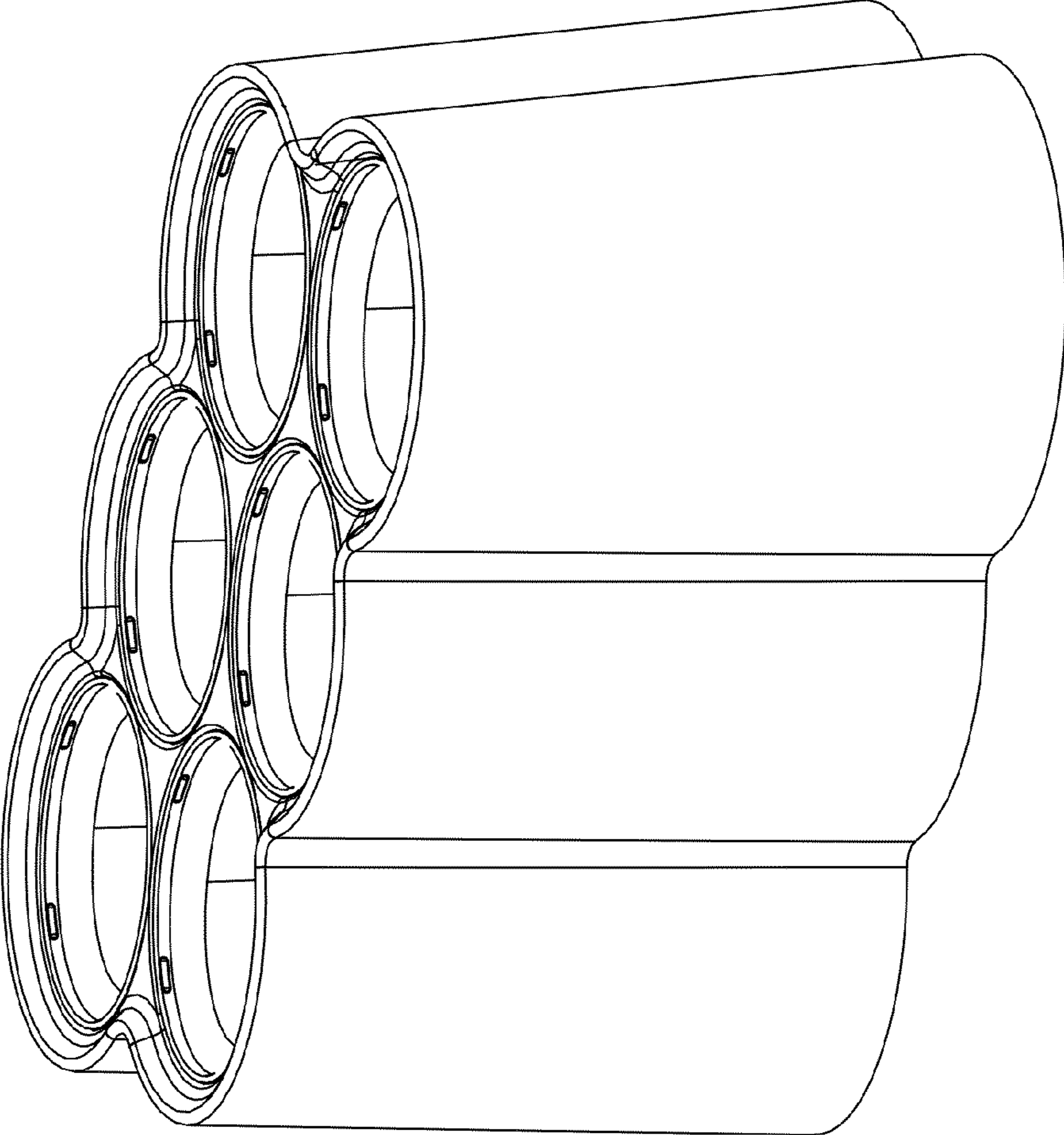


FIG. 1

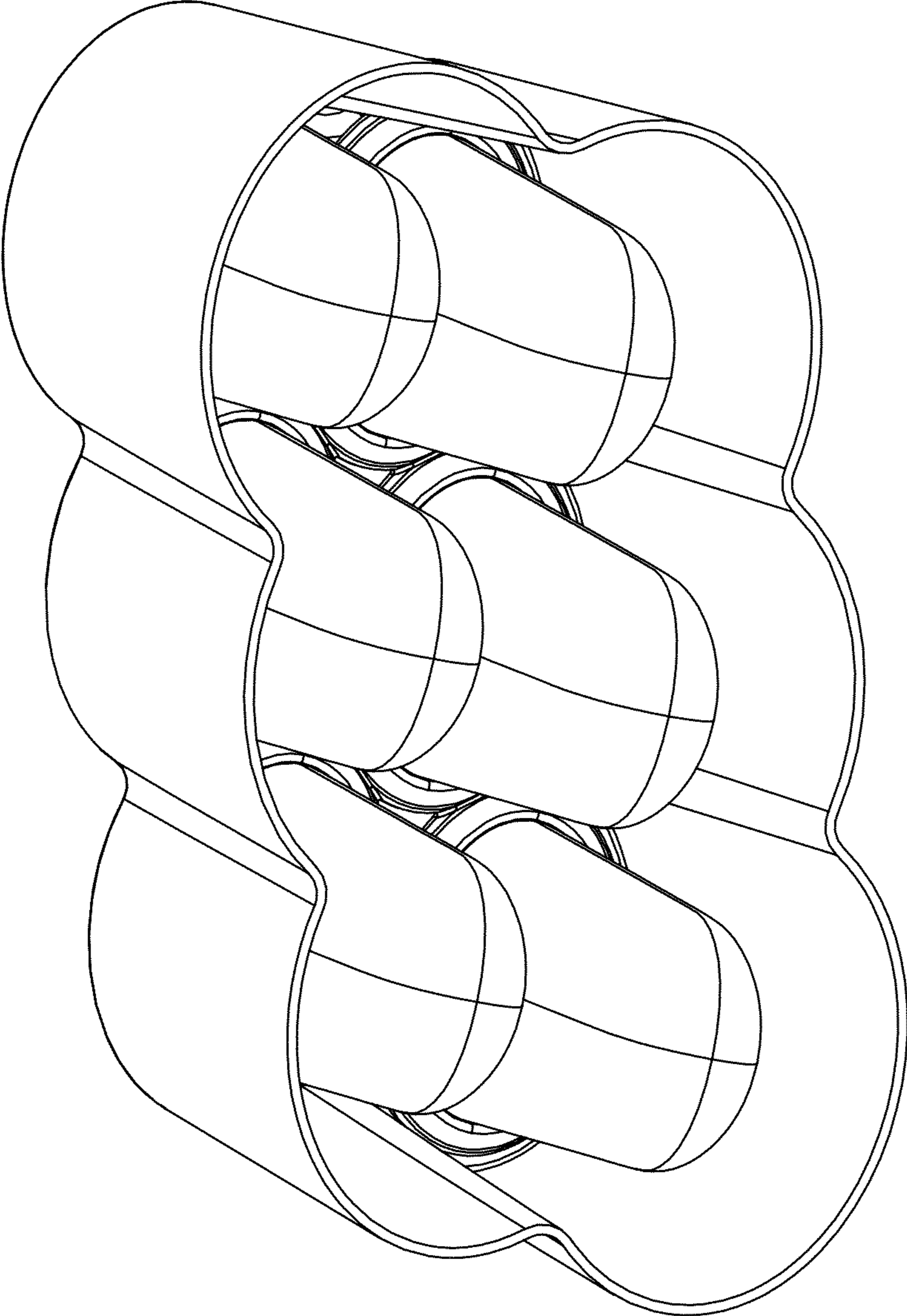


FIG. 2

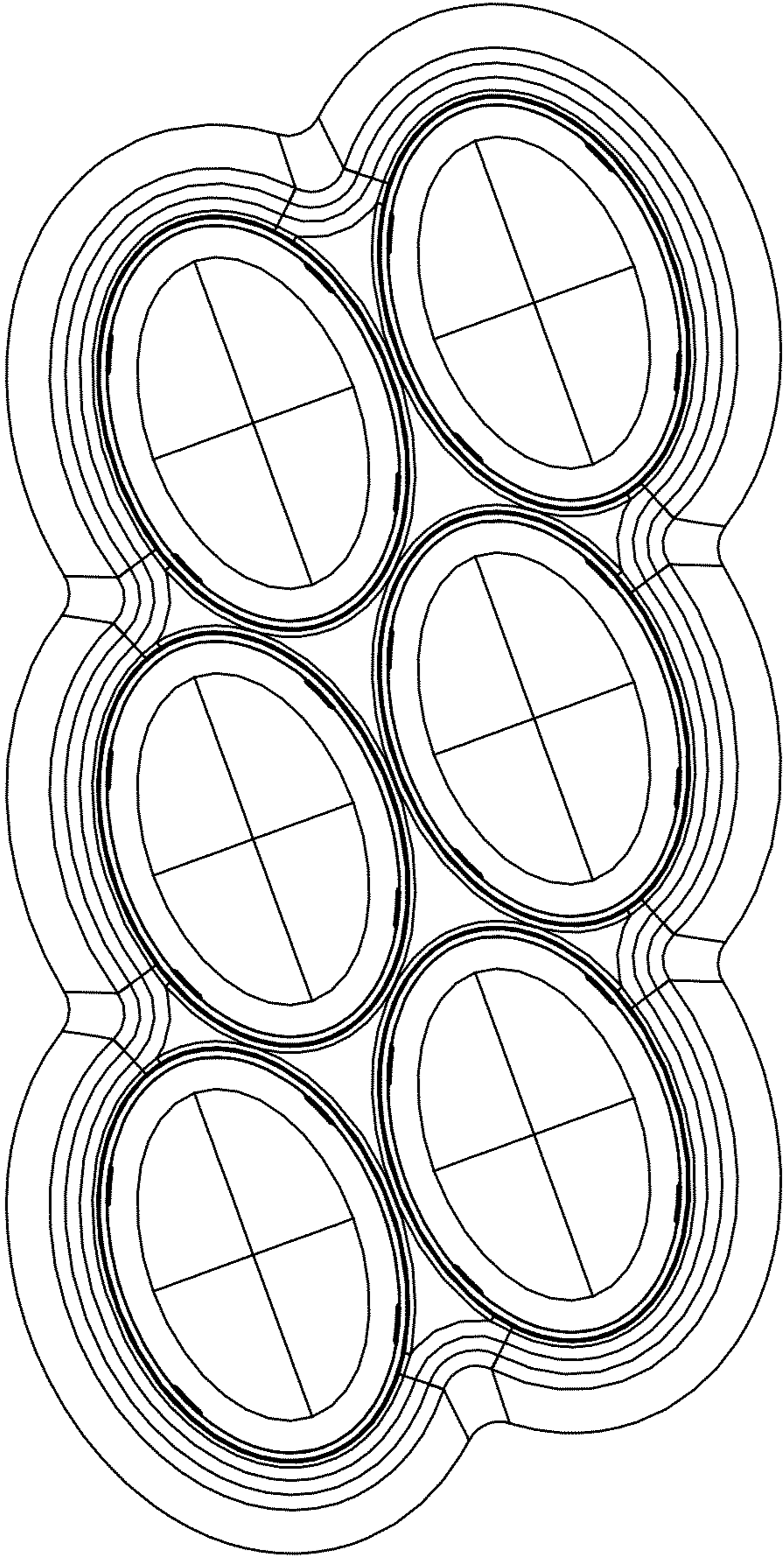


FIG. 3

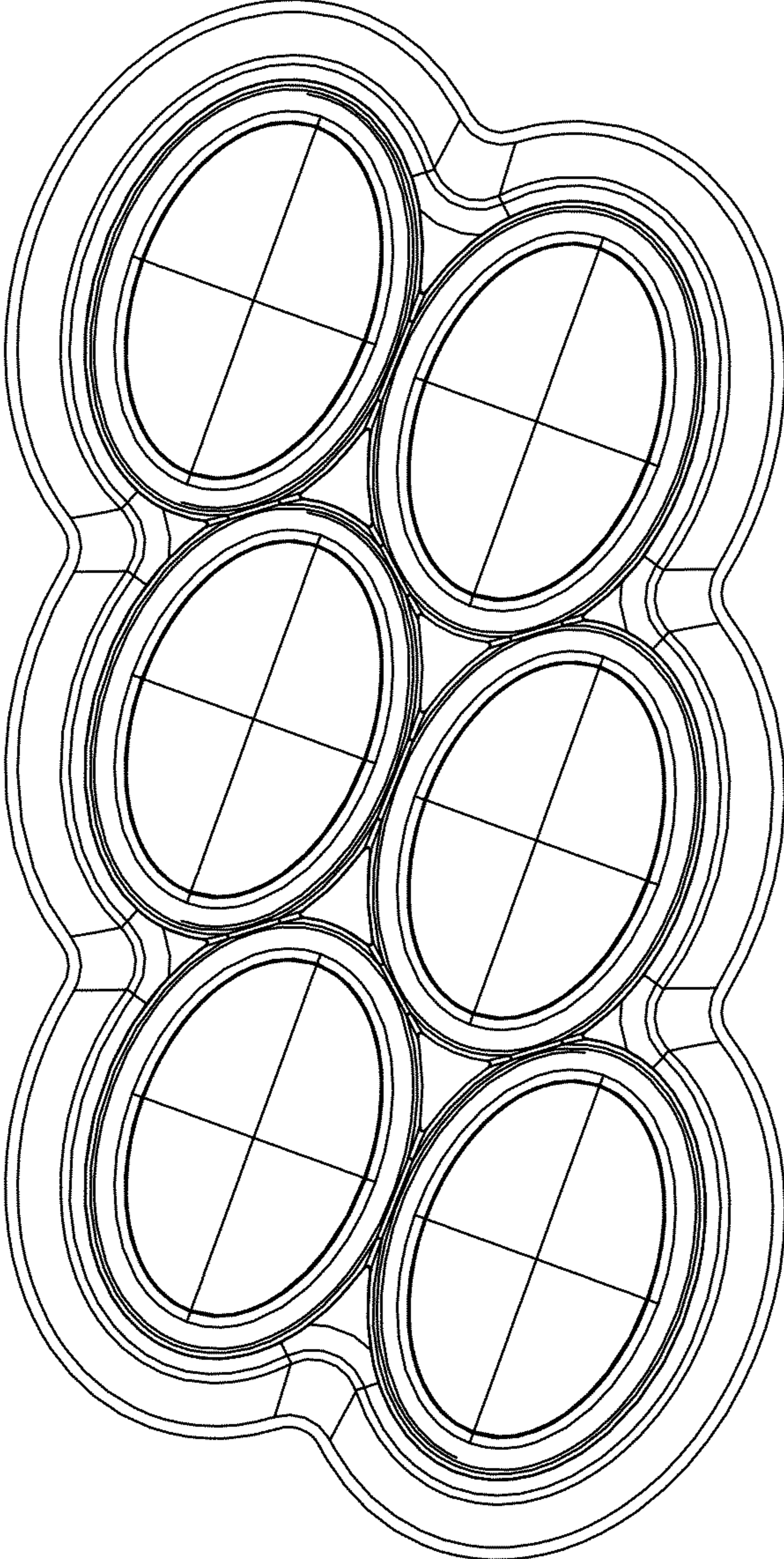


FIG. 4

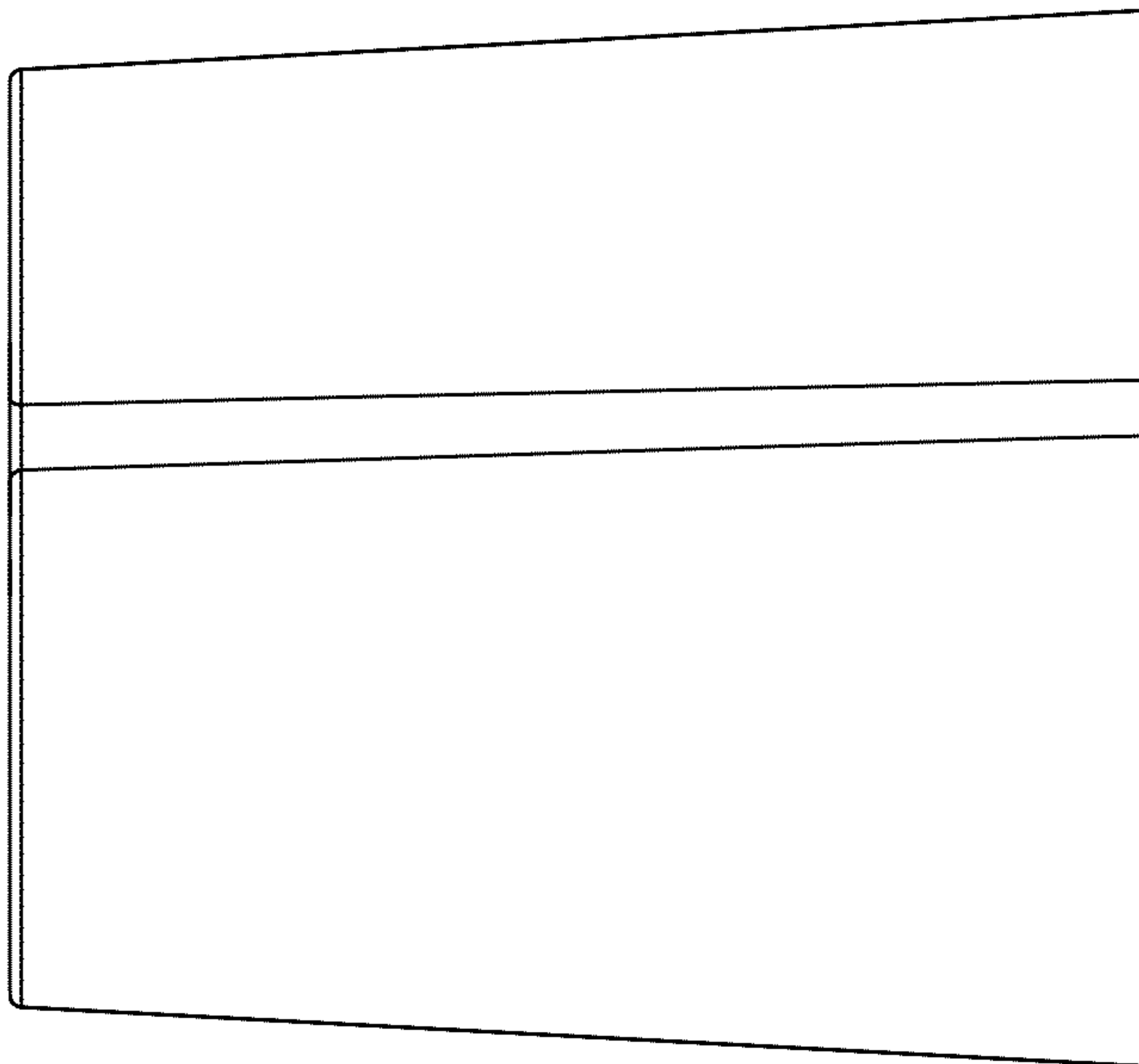


FIG. 5

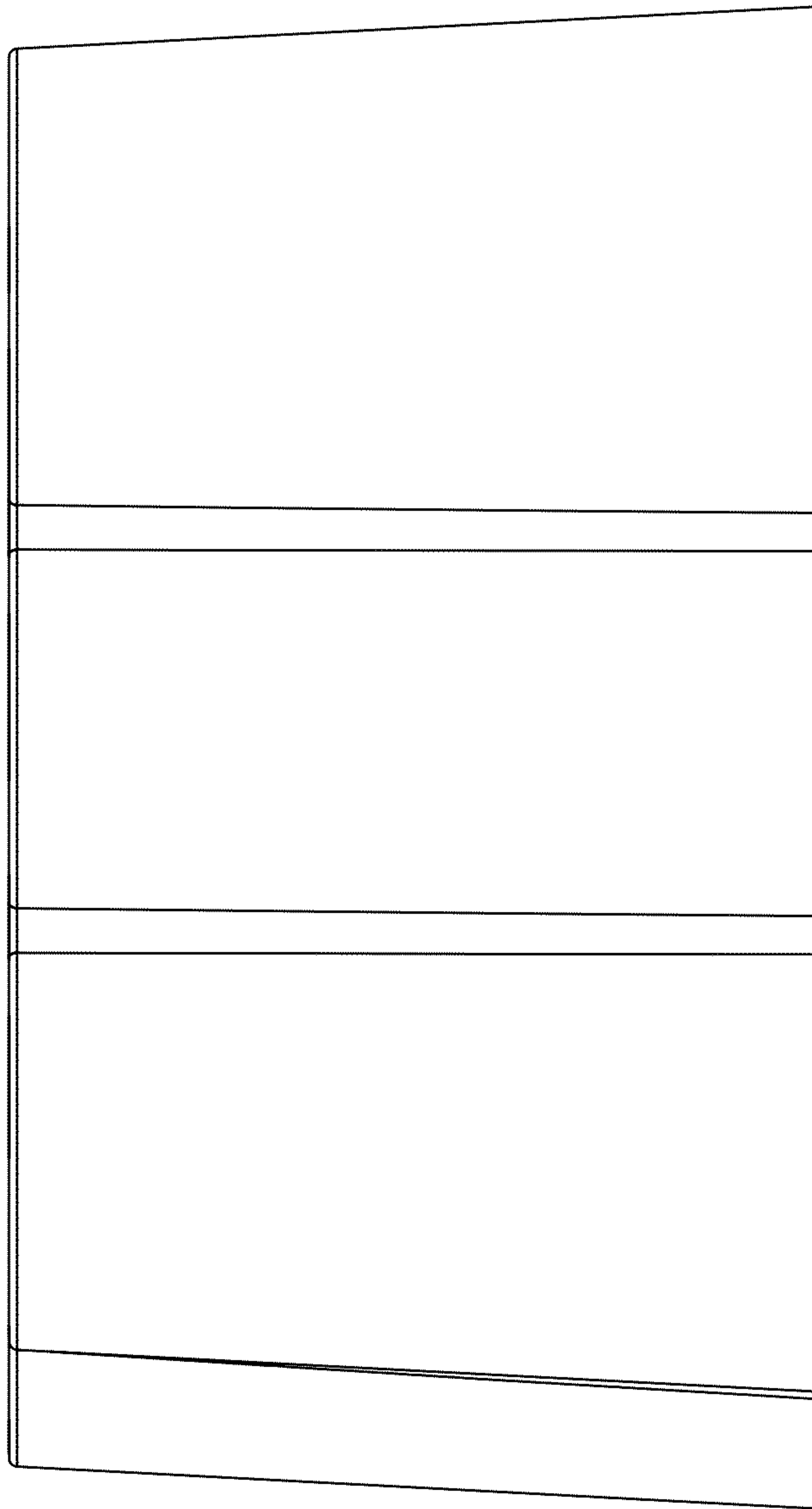


FIG. 6



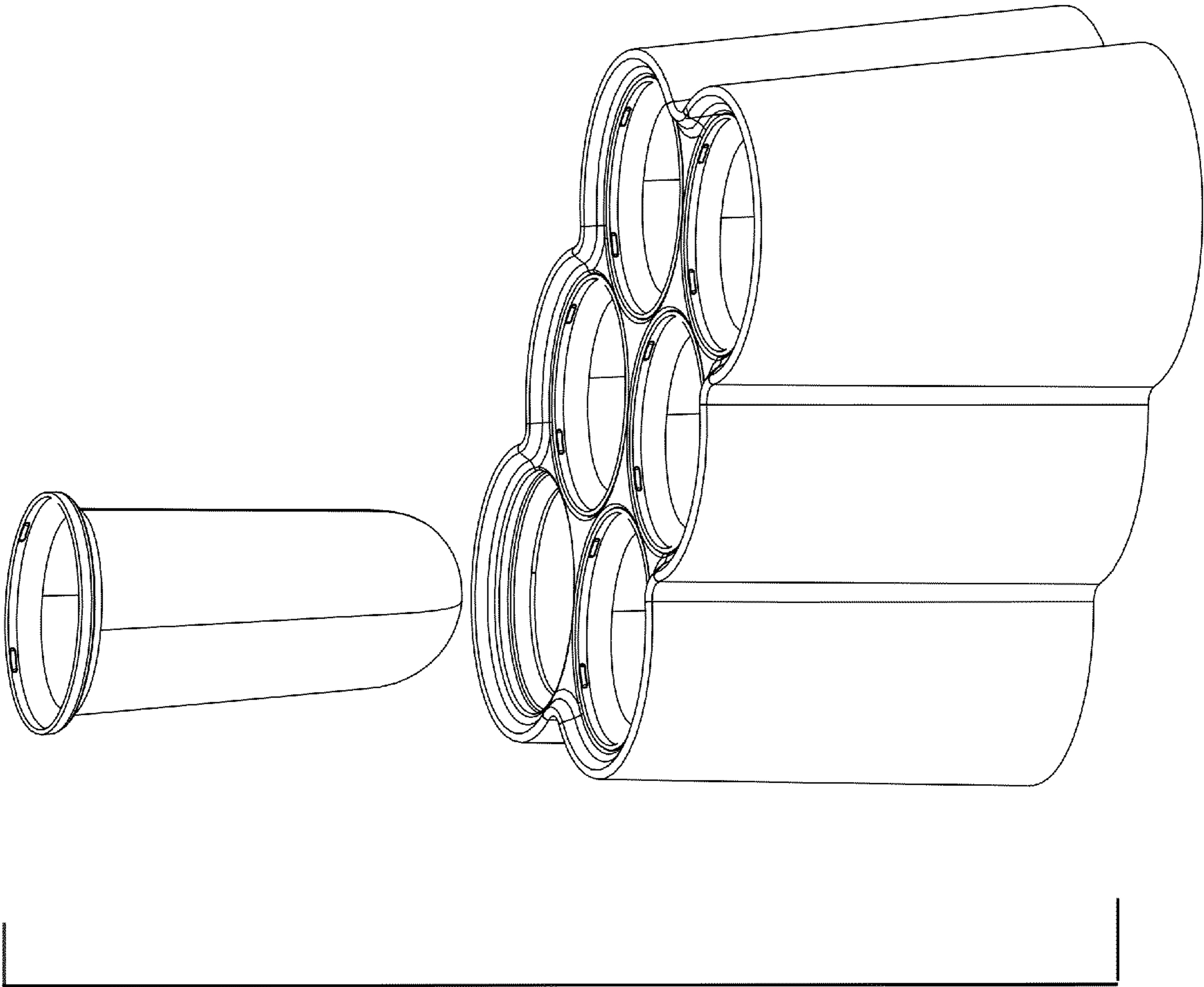
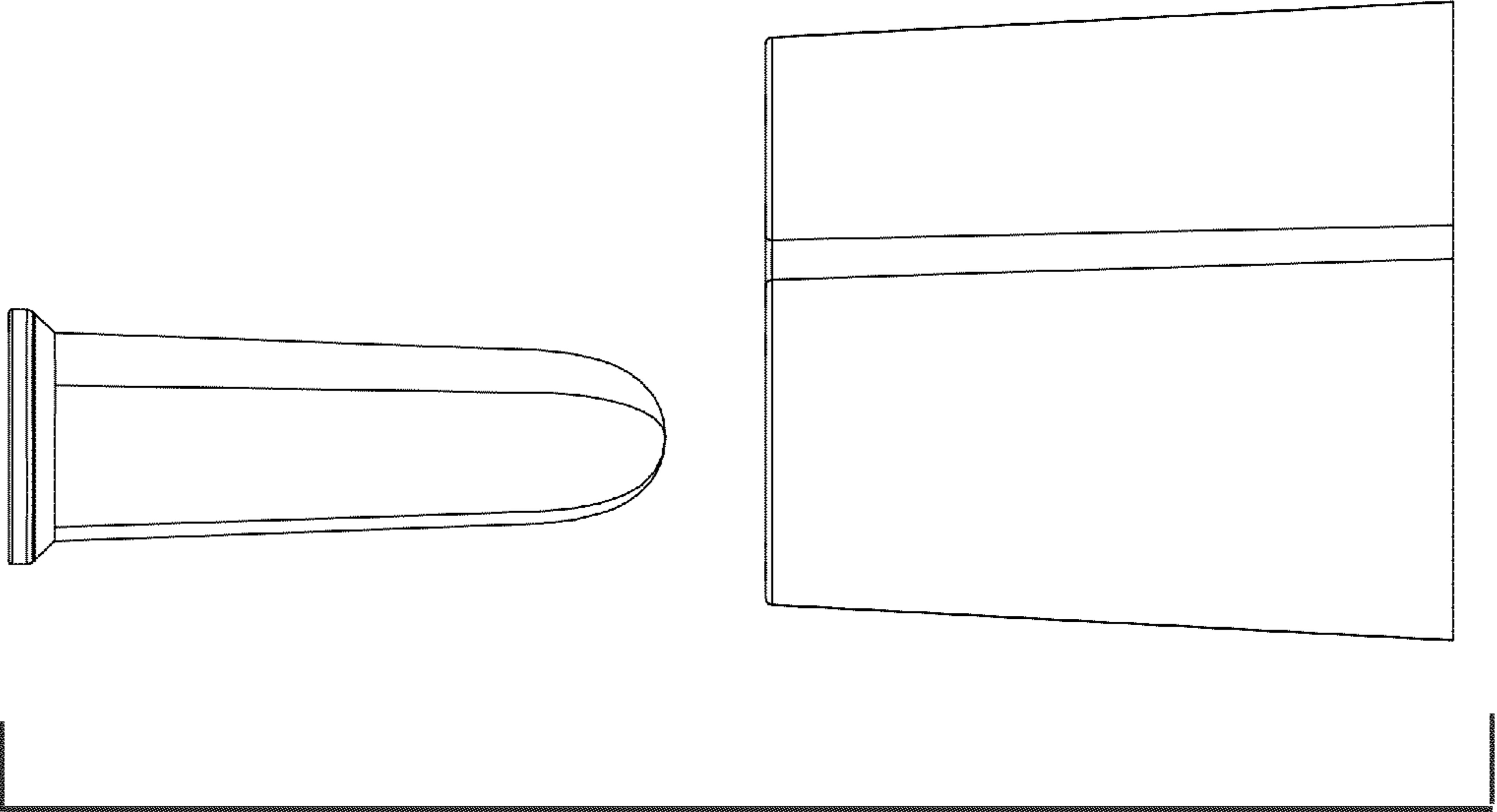
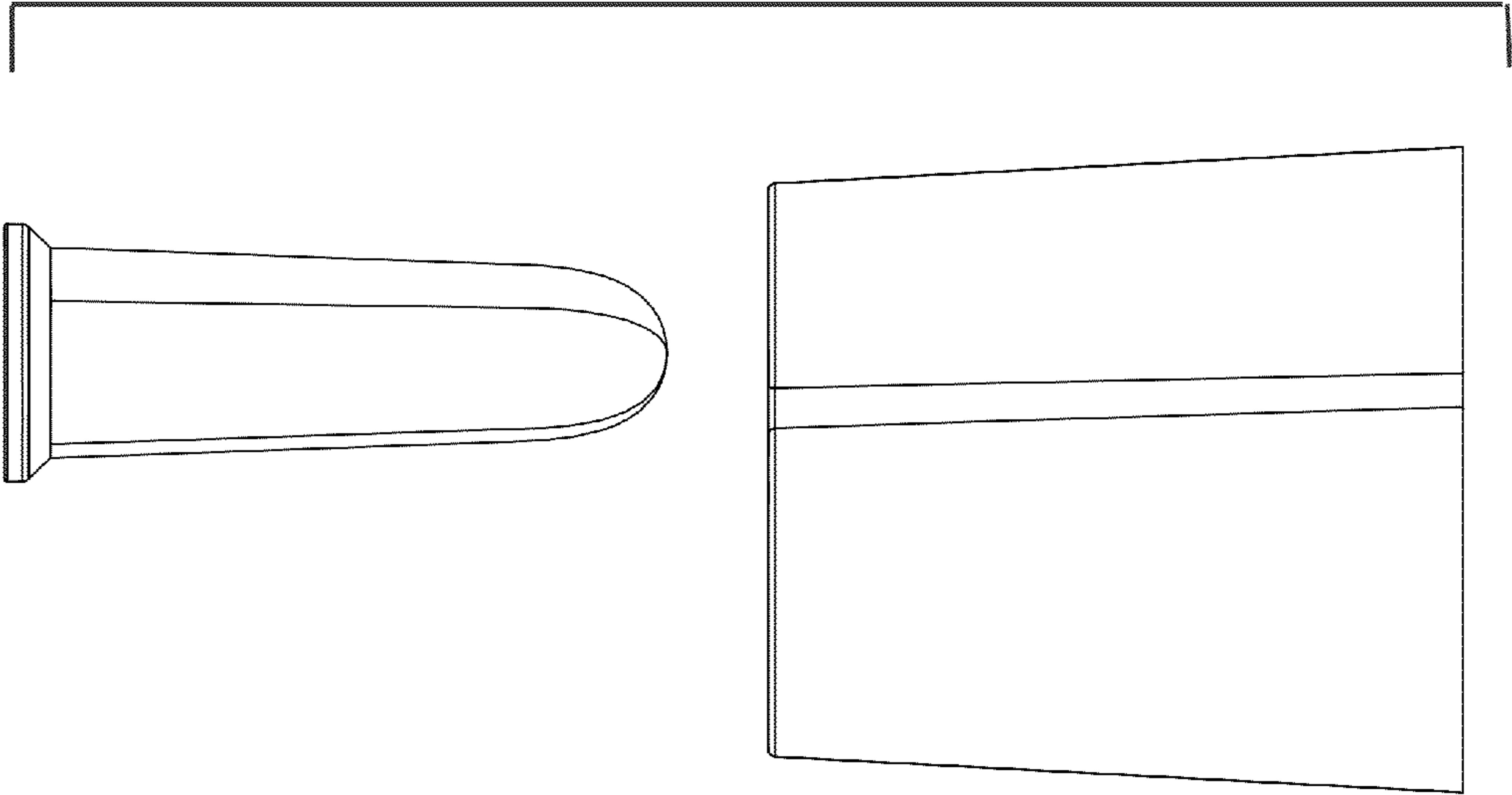


FIG. 7



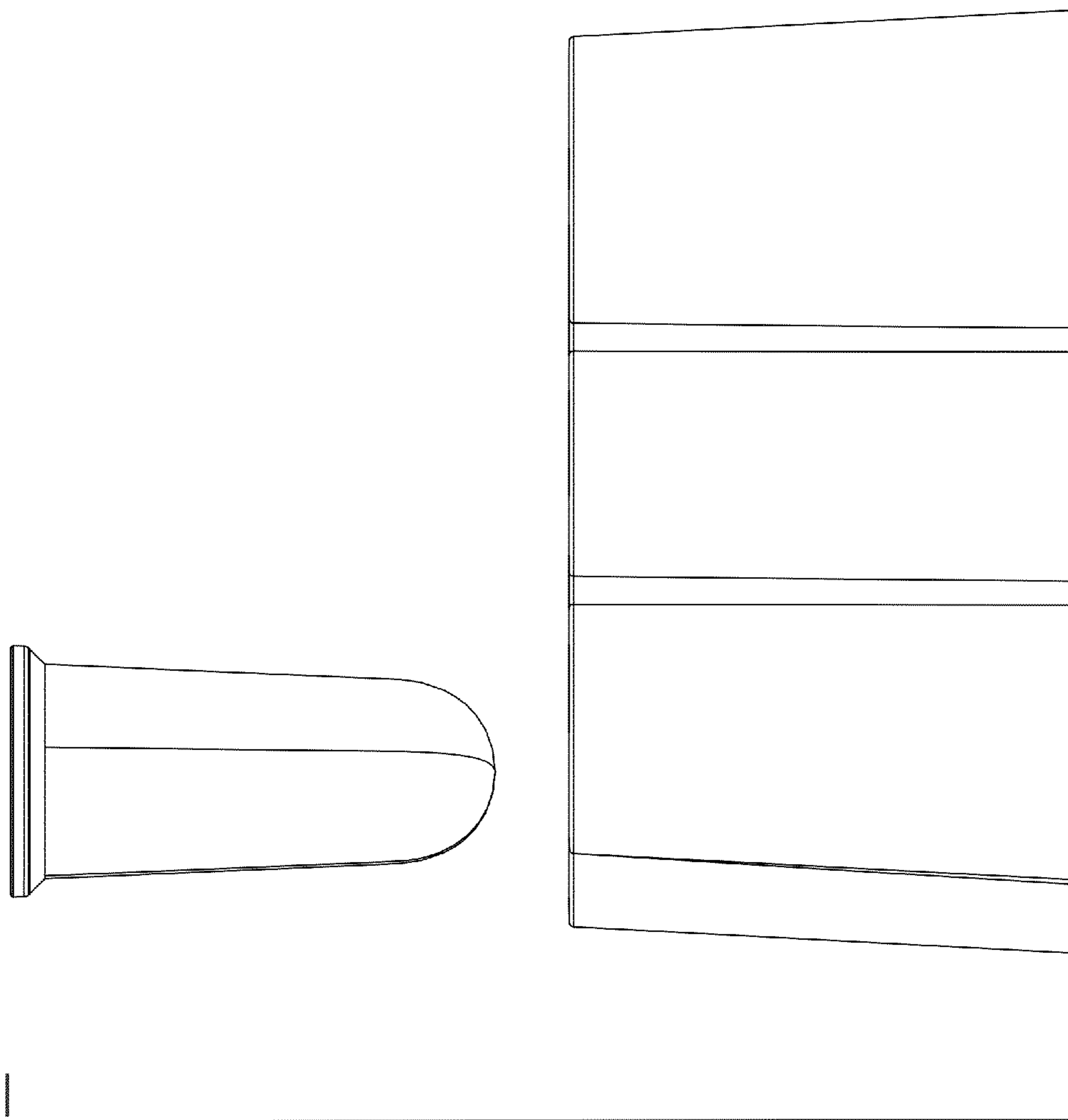


FIG. 10

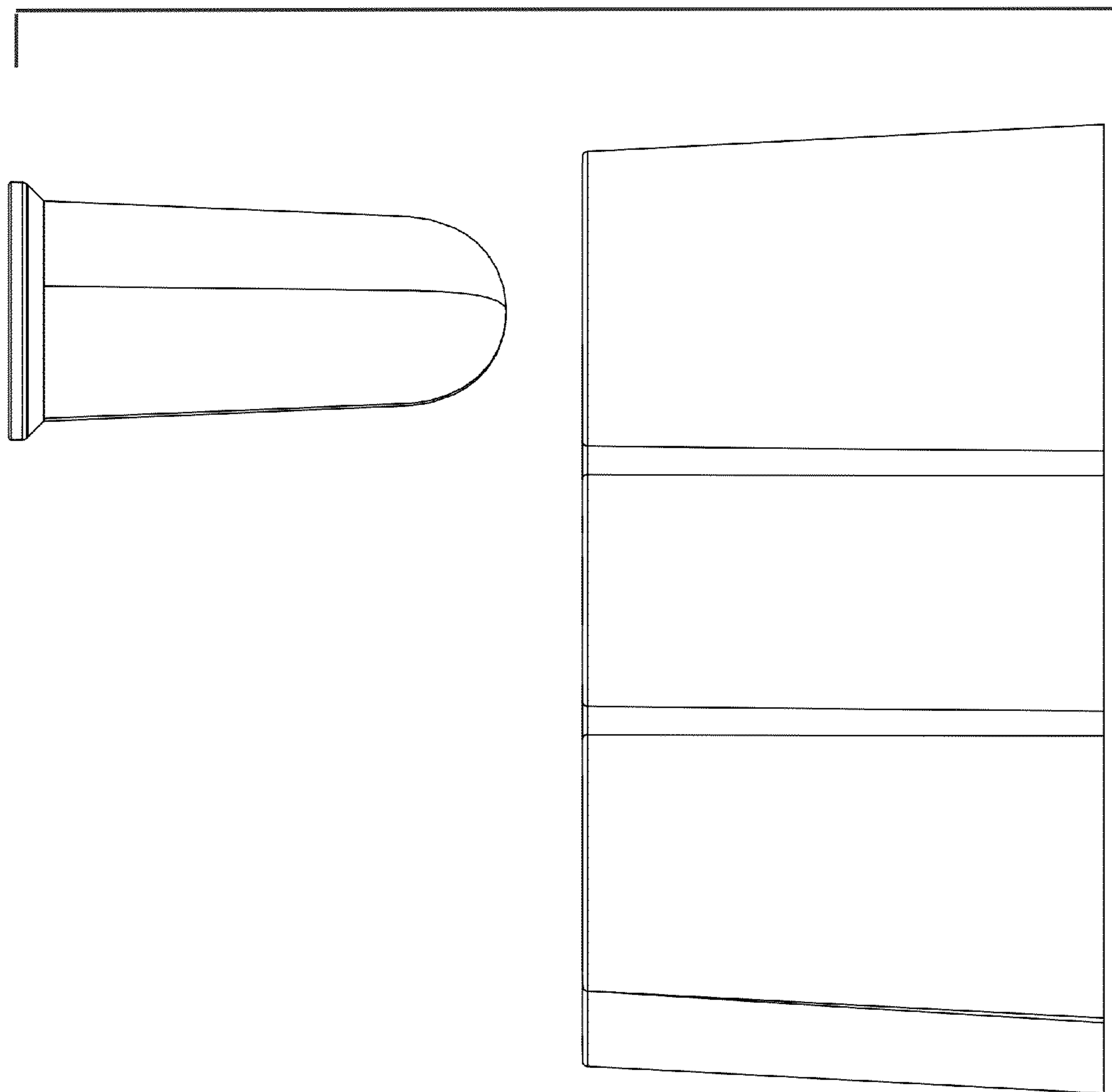


FIG. 11

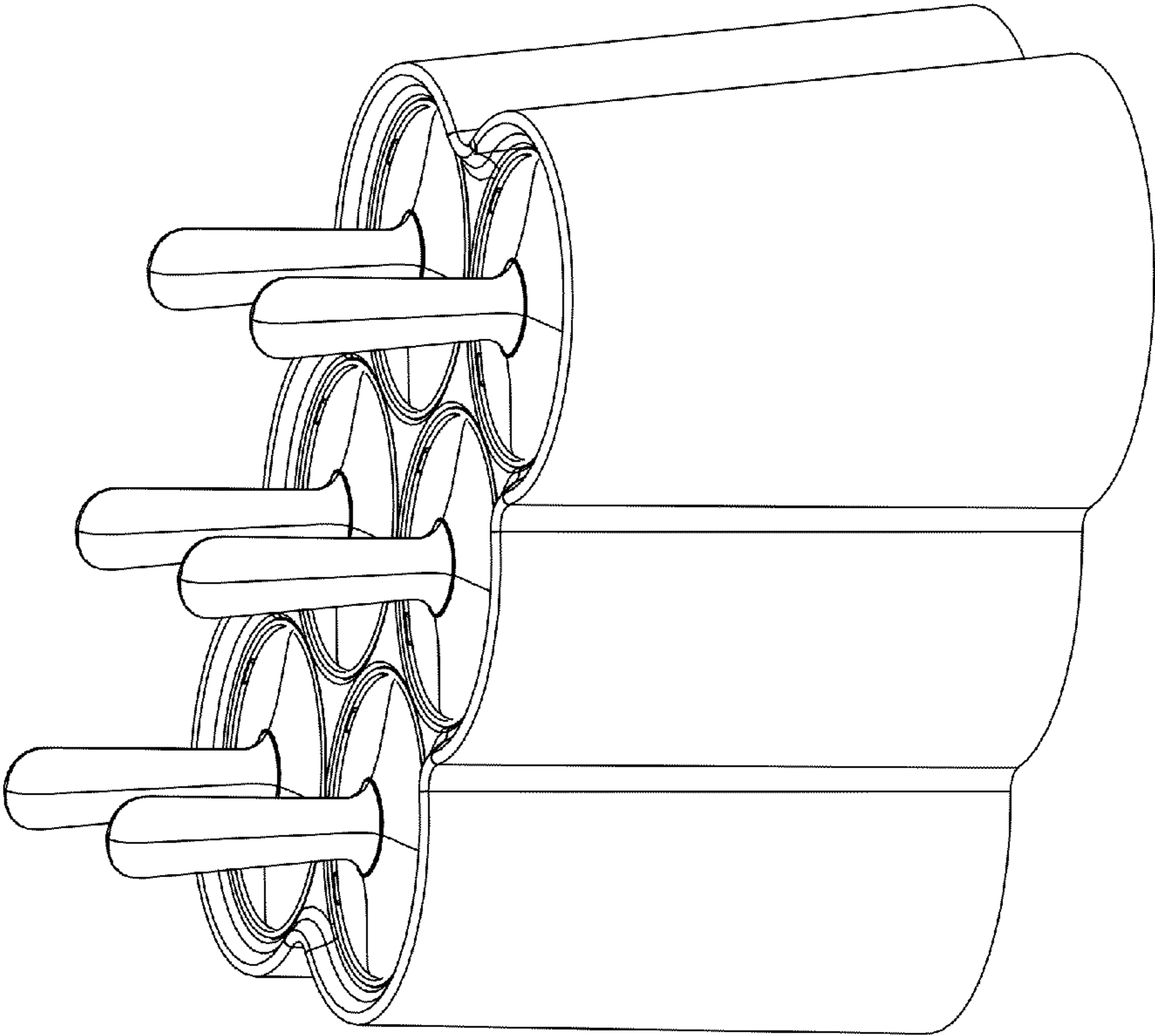


FIG. 12

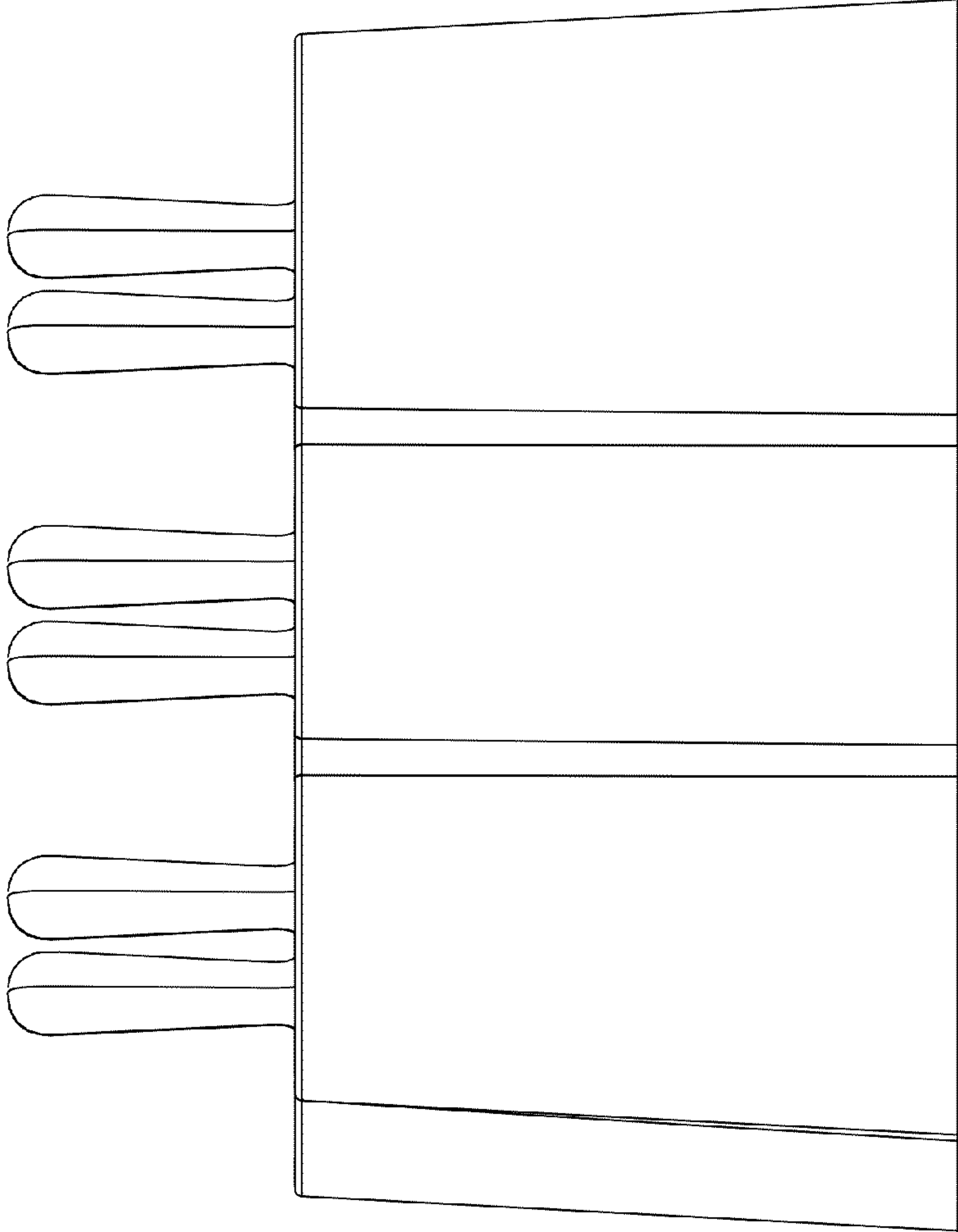


FIG. 13

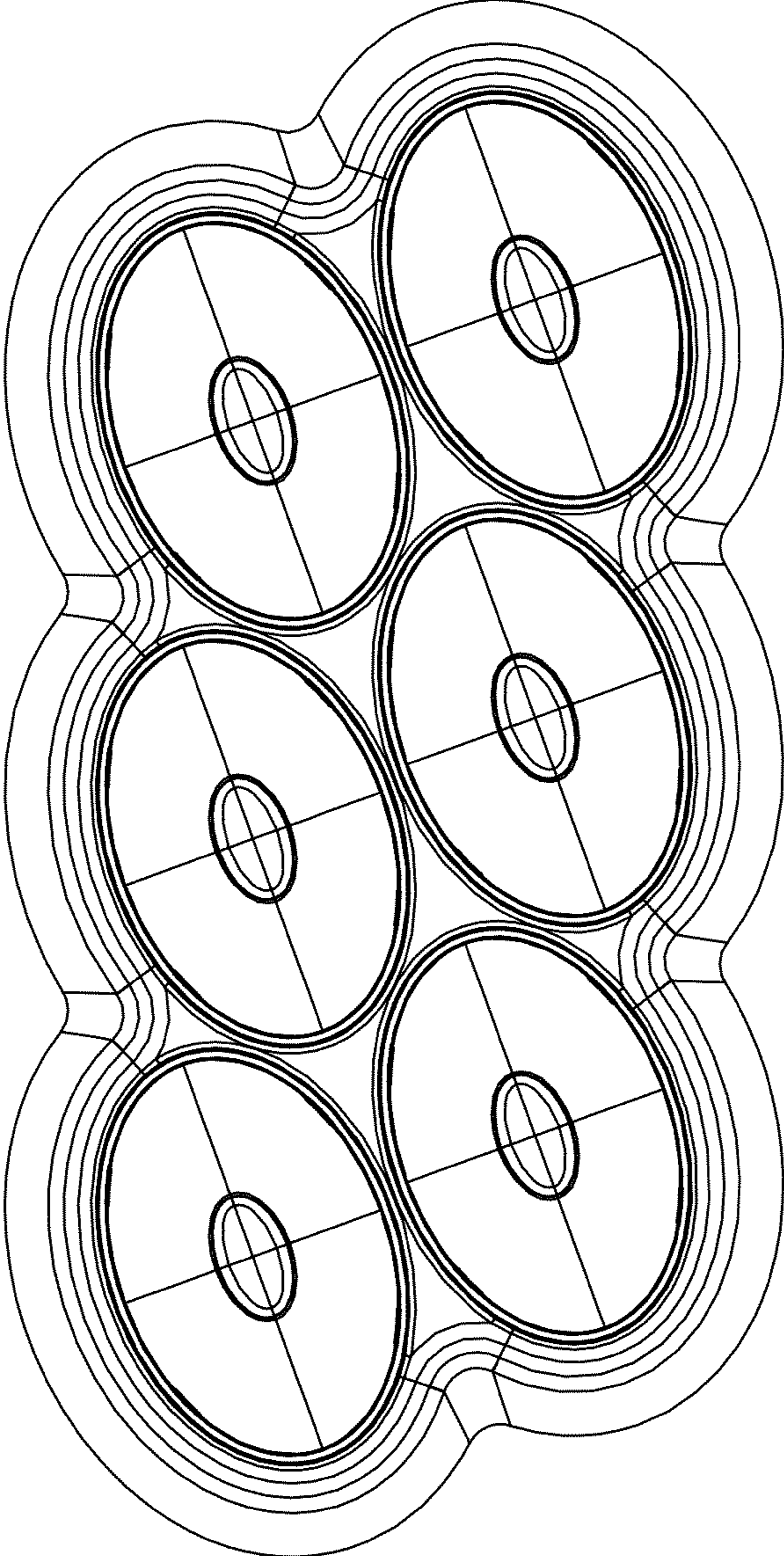


FIG. 14

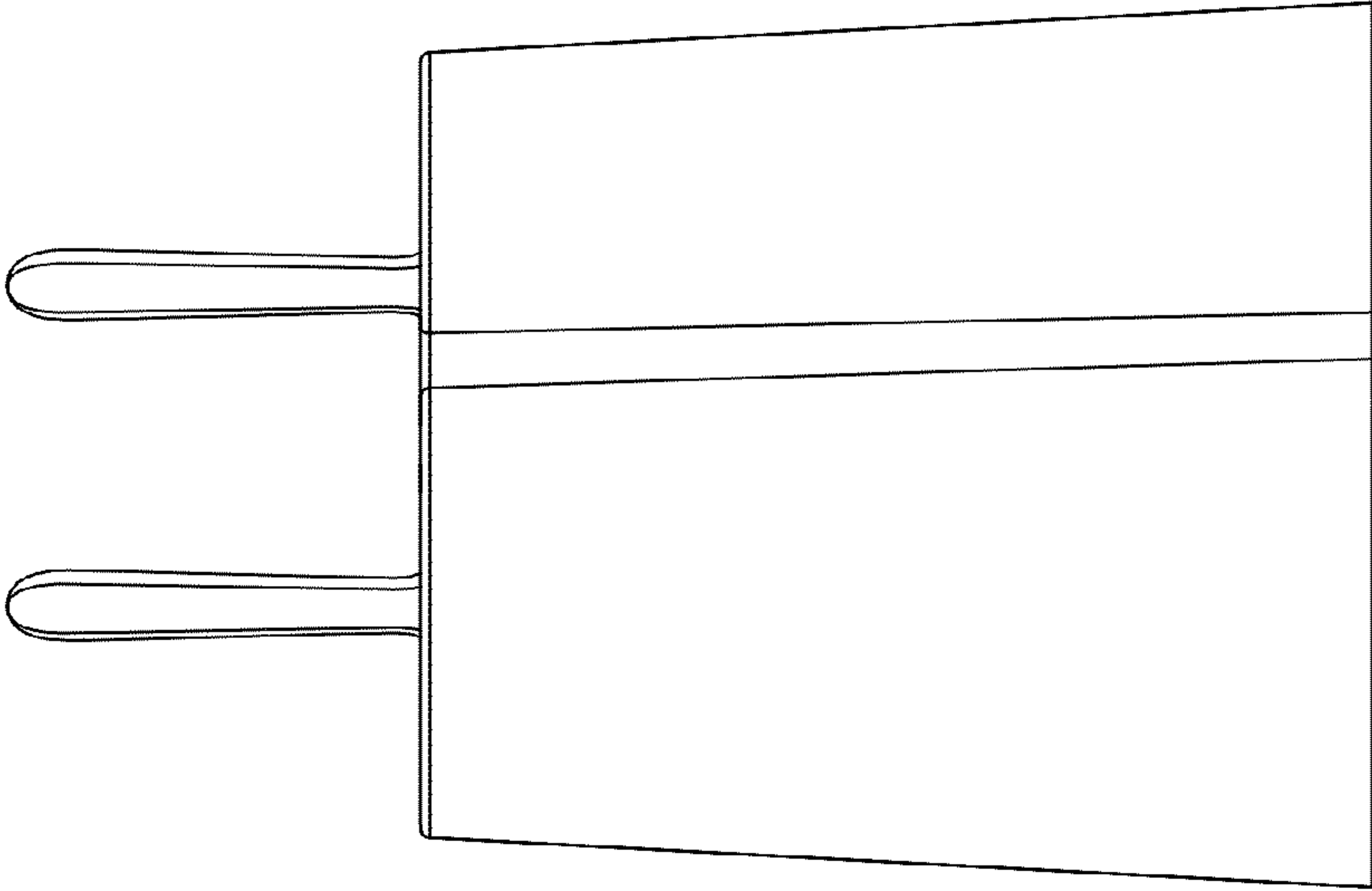


FIG. 15



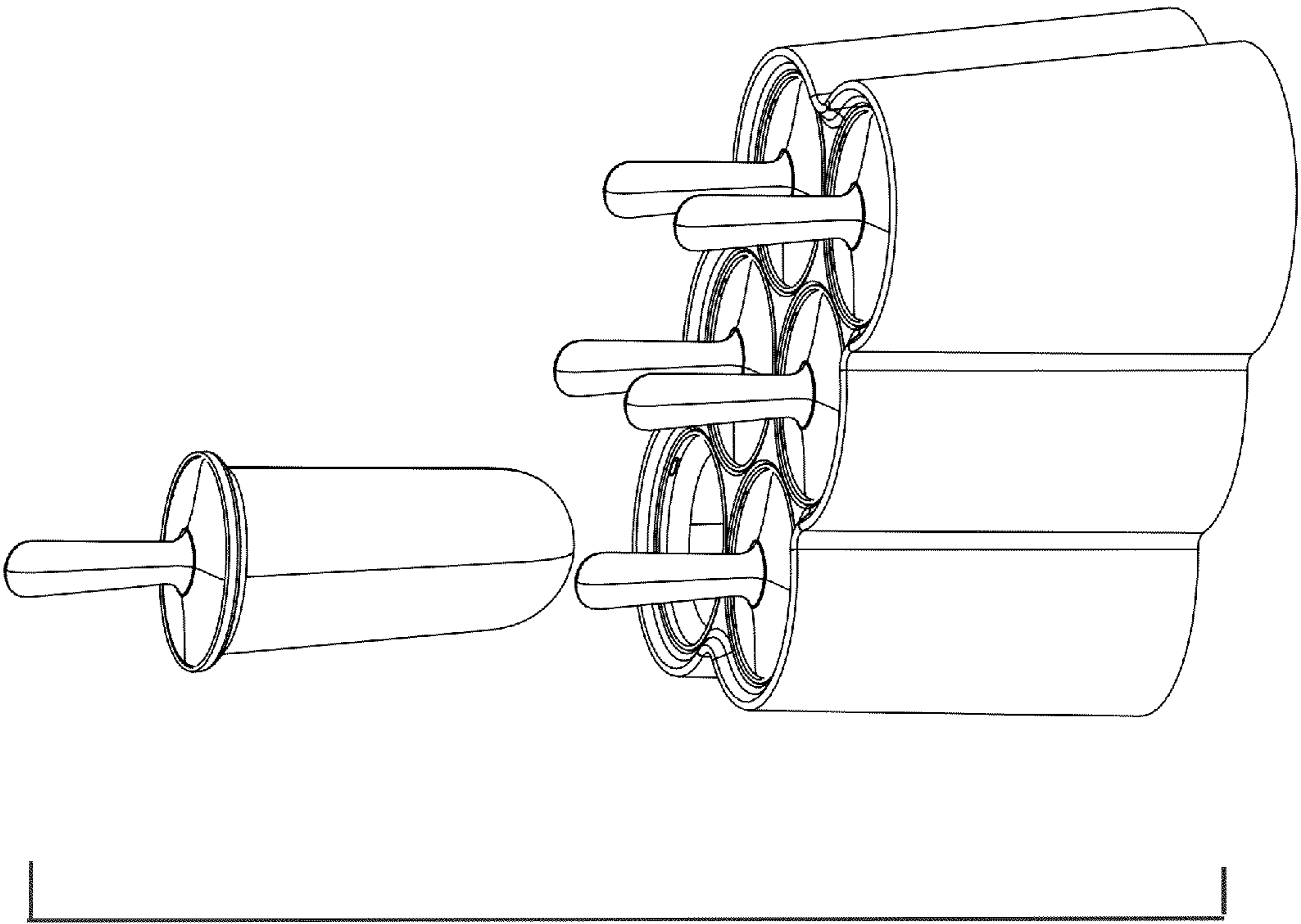


FIG. 16

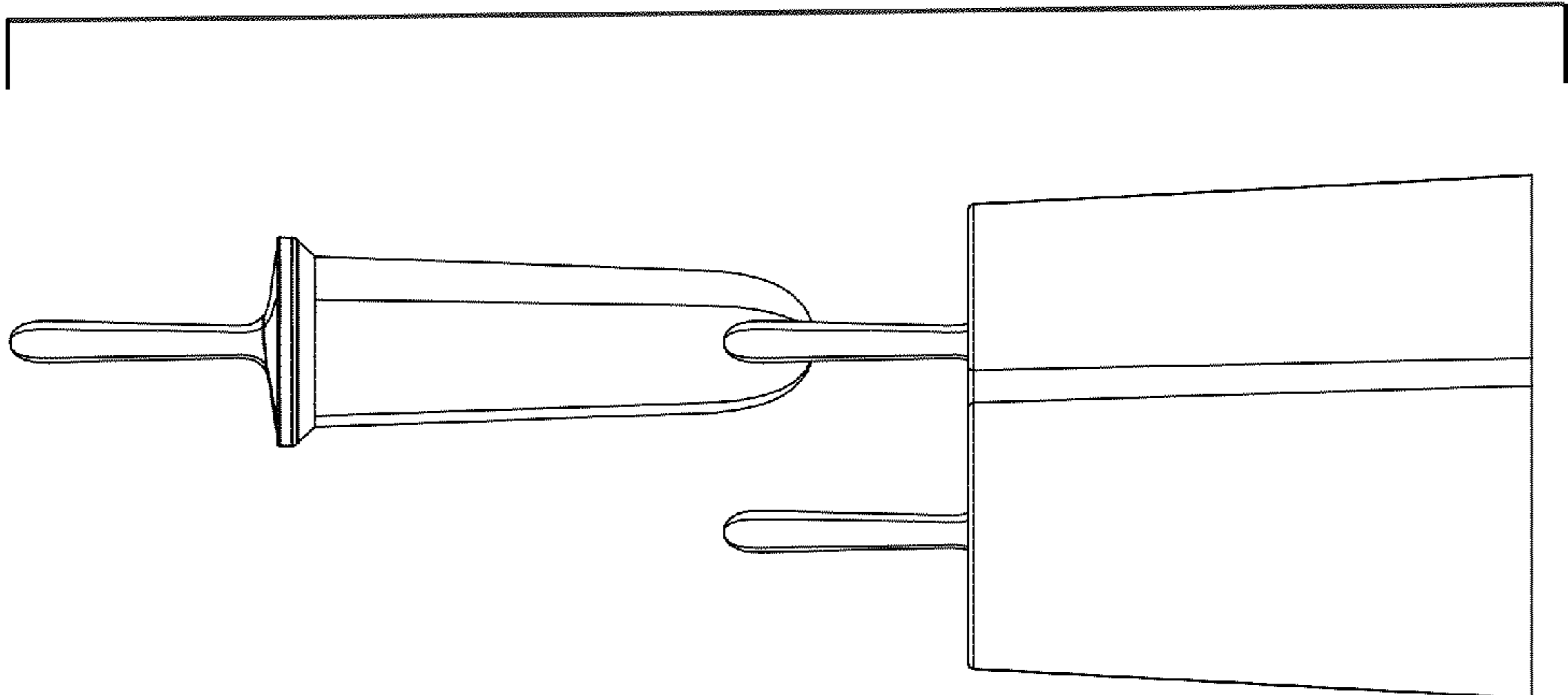


FIG. 17

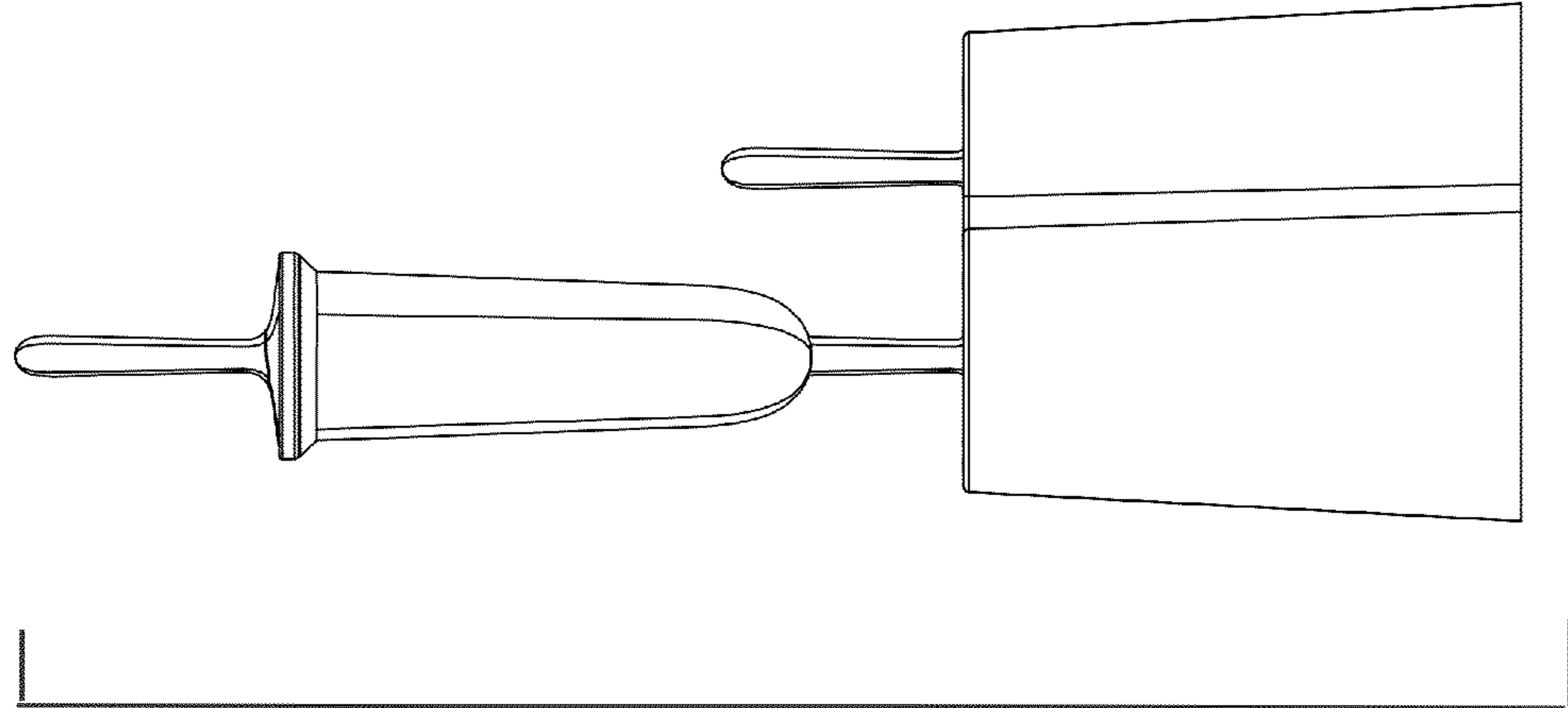


FIG. 18

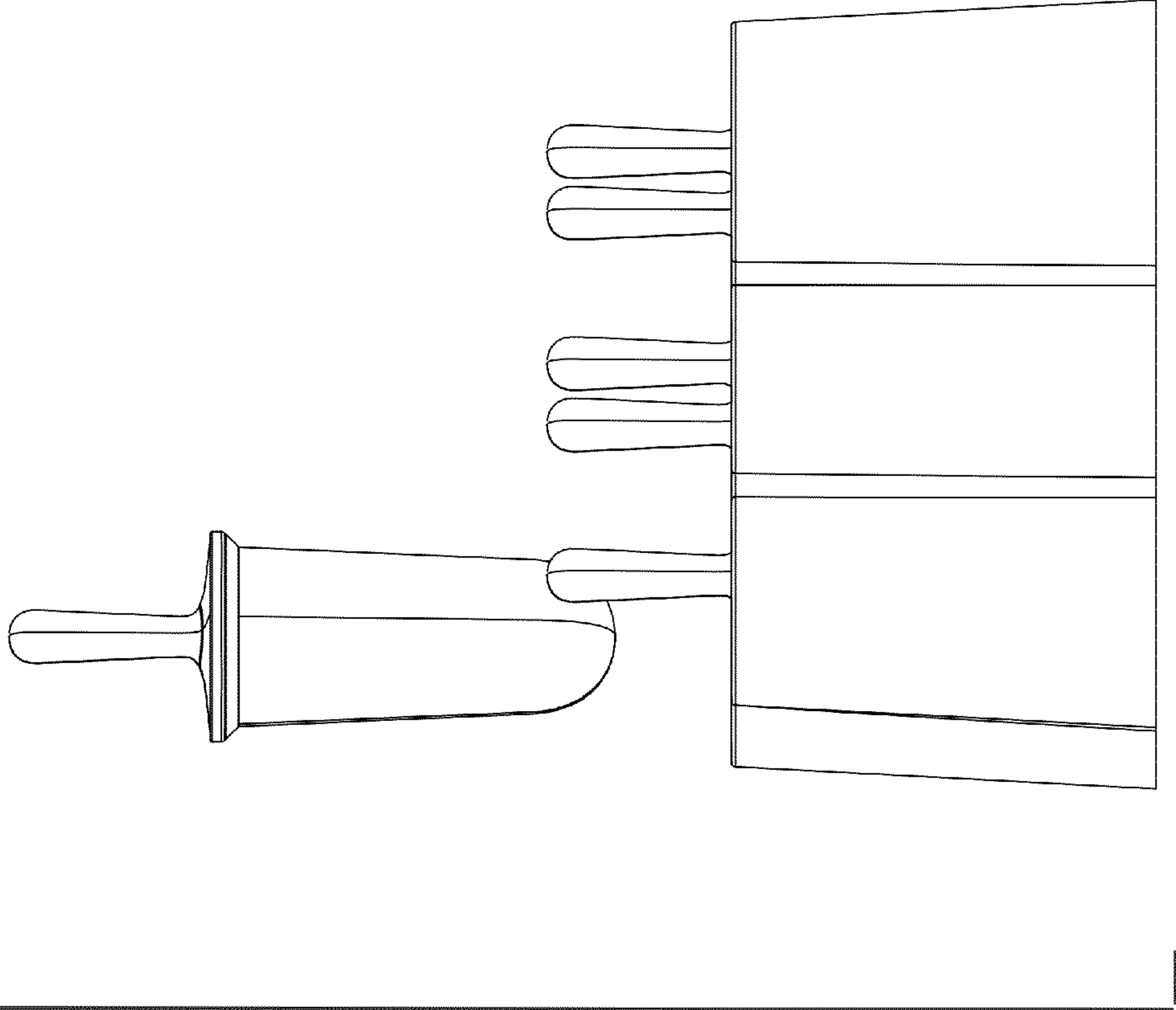


FIG. 19

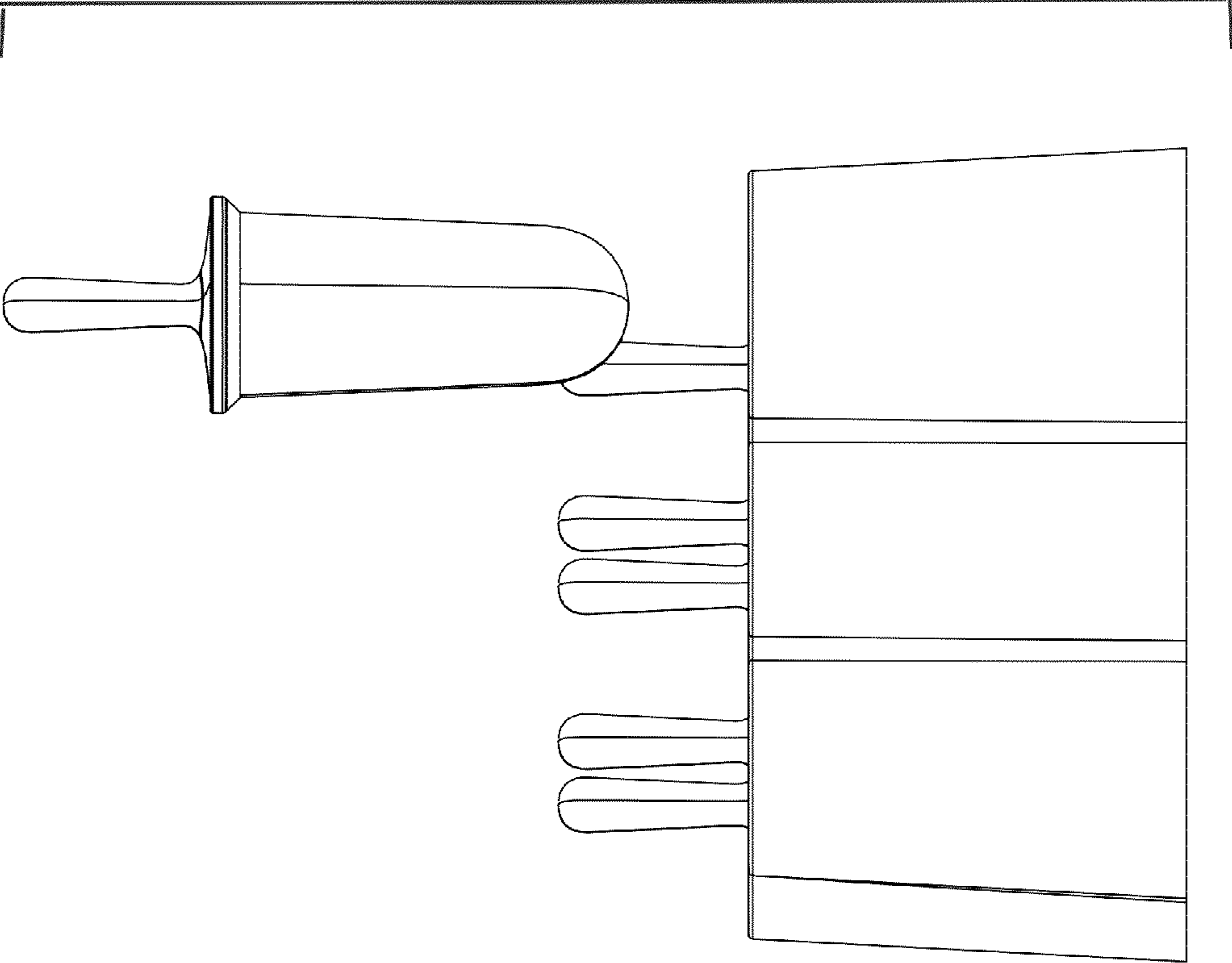


FIG. 20

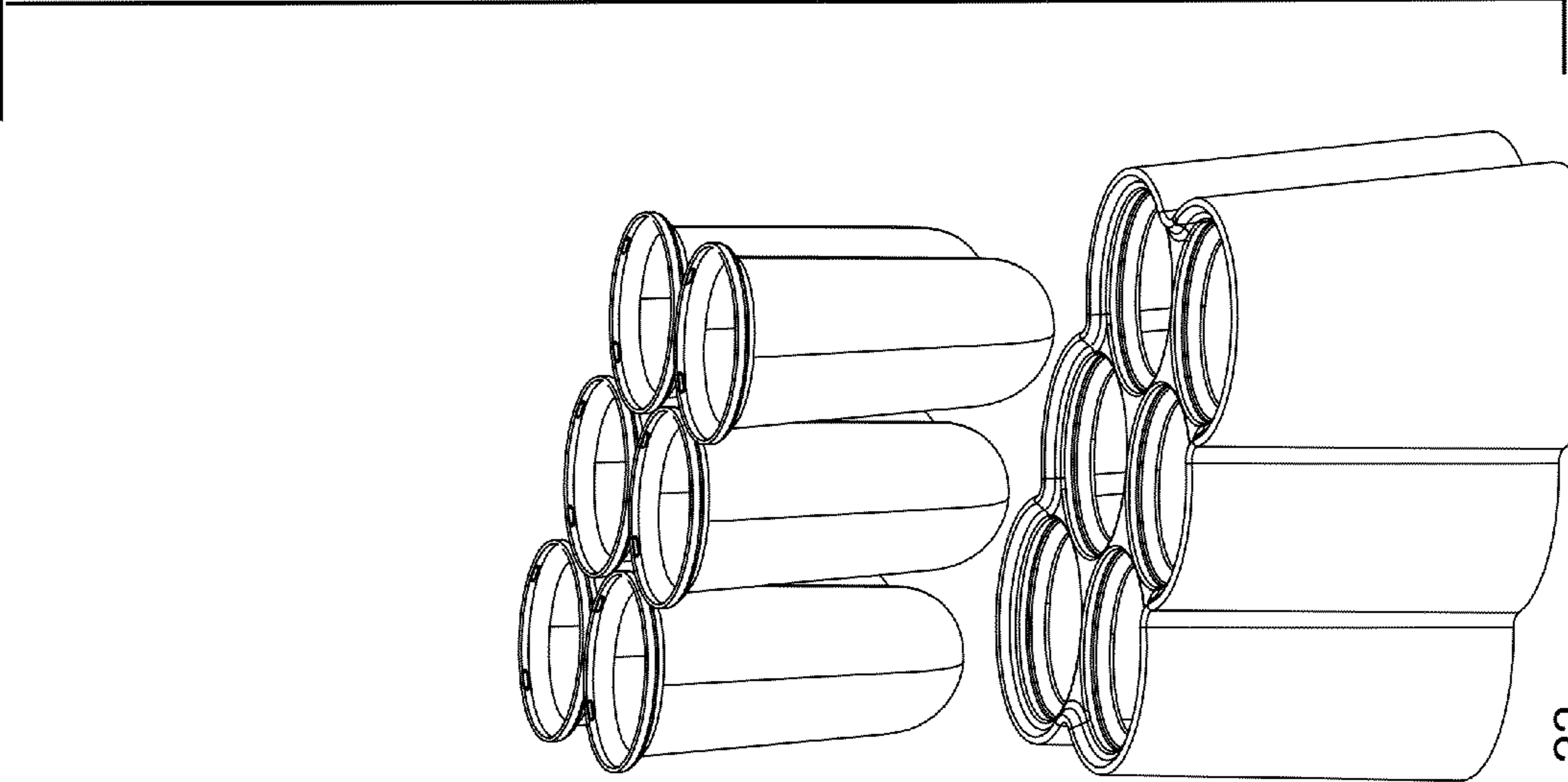


FIG. 22

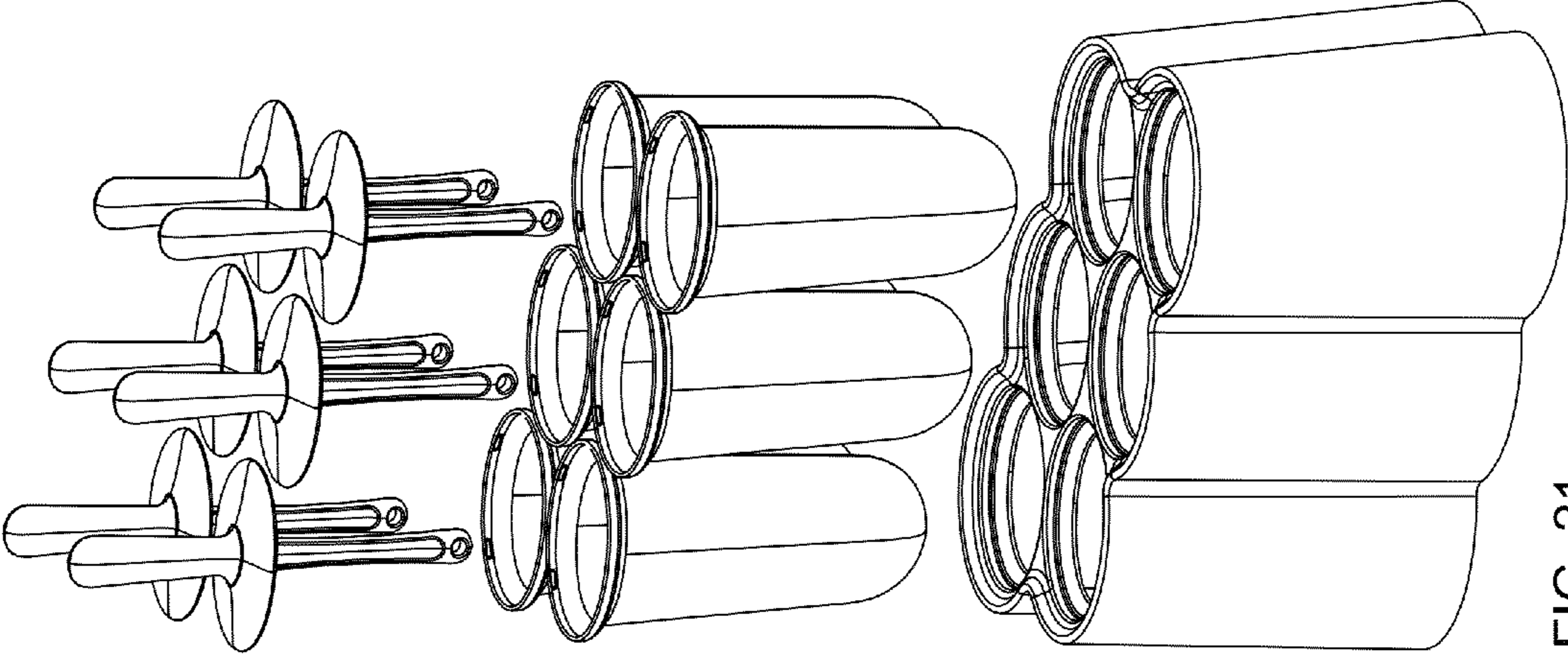


FIG. 21