

US00D690168S

(12) **United States Design Patent**
Zemel

(10) **Patent No.:** **US D690,168 S**

(45) **Date of Patent:** **** Sep. 24, 2013**

(54) **SKEWER STATION**

(75) Inventor: **Marc Zemel**, Melville, NY (US)

(73) Assignee: **Ferrellgas Real Estate, Inc.**, Liberty, MT (US)

(**) Term: **14 Years**

(21) Appl. No.: **29/416,105**

(22) Filed: **Mar. 19, 2012**

(51) **LOC (9) Cl.** **07-99**

(52) **U.S. Cl.**

USPC **D7/637**

(58) **Field of Classification Search**

USPC D7/637-641, 600.1-600.4, 701-708, D7/601, 620; D6/462, 458, 552, 567, 512, D6/546, 572, 553, 416, 417; 248/37.6, 37.7, 248/116, 121, 176.1, 37.3, 54.4; 211/13.1, 211/70.6, 70.7, 71.01, 181.1, 74, 75, 85.4, 211/85.31, 37.3, 37.6, 60.1; 99/419

See application file for complete search history.

(56) **References Cited**

U.S. PATENT DOCUMENTS

D32,979	S *	7/1900	Lehner	D6/313
1,061,431	A *	5/1913	West	99/419
2,826,982	A *	3/1958	Smith	99/393
4,290,529	A *	9/1981	Jones et al.	211/60.1
D280,282	S *	8/1985	Erbach	D7/404
4,623,111	A *	11/1986	Prader	248/97
D299,805	S *	2/1989	Pifher	D7/641
D317,699	S *	6/1991	Lin	D7/640
5,996,820	A *	12/1999	Broadnax	211/85.4
6,213,314	B1 *	4/2001	Beemer	211/70.6
D466,374	S *	12/2002	Boyte	D7/637
6,520,349	B2 *	2/2003	Keen	211/49.1

D498,993	S *	11/2004	Grosshans	D7/704
6,945,161	B1 *	9/2005	Battaglia et al.	99/448
7,281,469	B1 *	10/2007	Barbour et al.	99/426
D605,909	S *	12/2009	Wax	D7/704
D658,015	S *	4/2012	Borovicka et al.	D7/641
2003/0111433	A1 *	6/2003	Park	211/59.1
2009/0230065	A1 *	9/2009	Wax	211/60.1

OTHER PUBLICATIONS

Skewer Station [online], crawled on Nov. 21, 2011, retrieved on Jun. 5, 2013. Retrieved from, <URL: <http://web.archive.org/web/20111121223552/http://www.formengifts.com/skewer-station/>>, 1 page.*

* cited by examiner

Primary Examiner — Ian Simmons

Assistant Examiner — Shannon Weekley

(74) *Attorney, Agent, or Firm* — Carter, DeLuca, Farrell & Schmidt LLP

(57) **CLAIM**

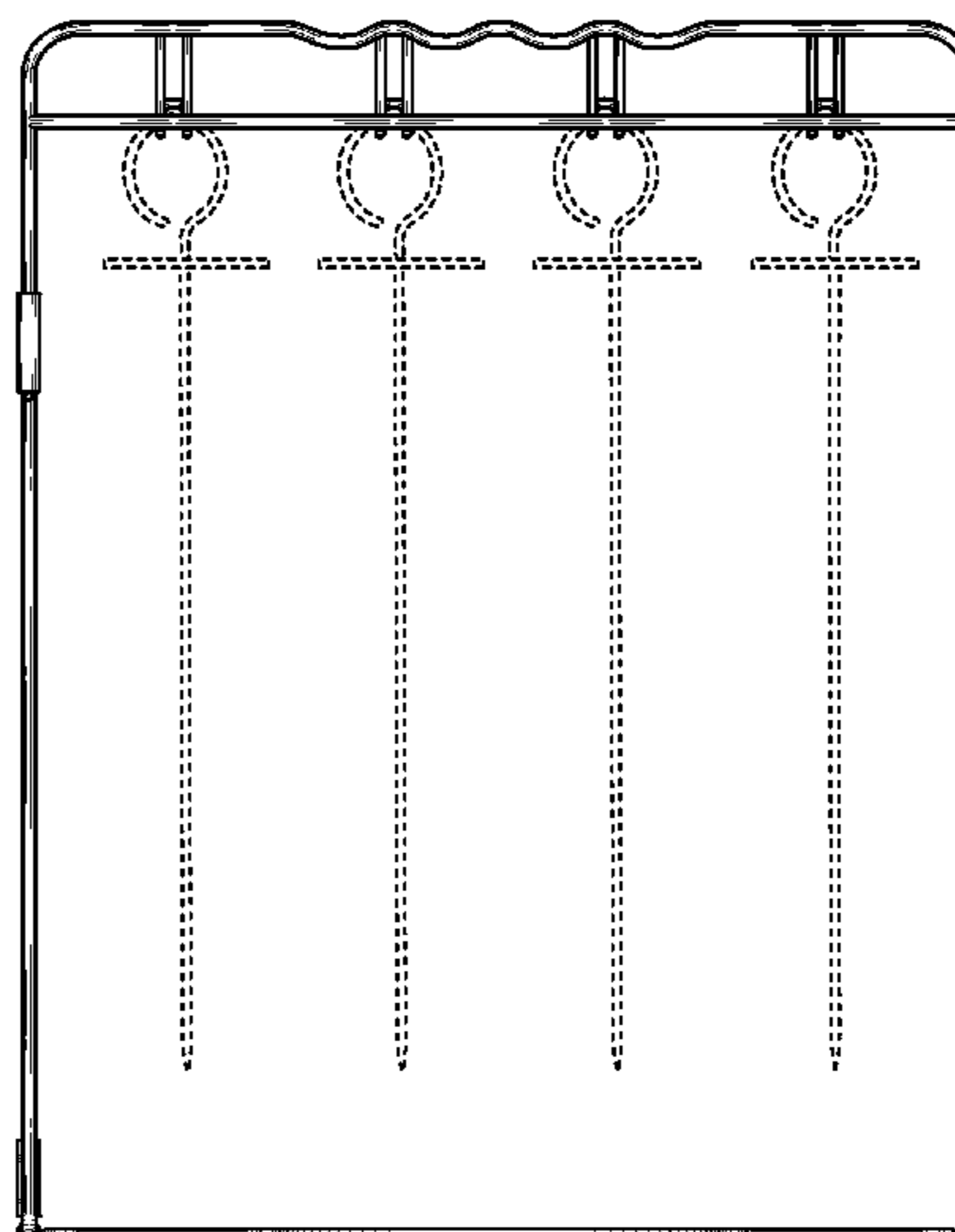
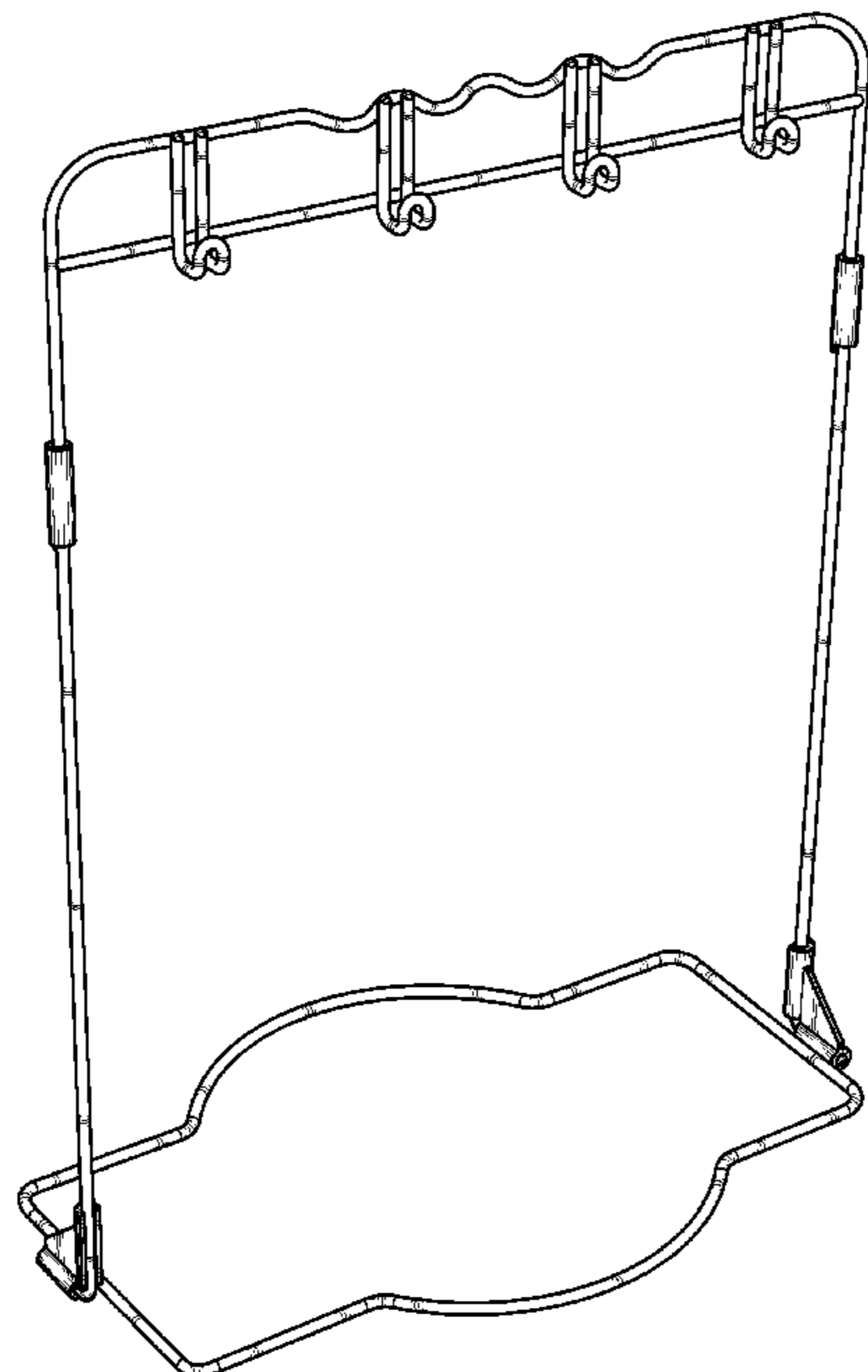
The ornamental design for a skewer station, as shown and described.

DESCRIPTION

FIG. 1 is a front side perspective view of a skewer station in accordance with the present design; FIG. 2 is a front elevational view thereof; FIG. 3 is a back elevational view thereof; FIG. 4 is a right side elevational view thereof; FIG. 5 is a left side elevational view thereof; FIG. 6 is a top plan view thereof; and, FIG. 7 is a bottom plan view thereof.

The broken lines shown in FIGS. 2-7 of the skewer station are for the purpose of illustrating environment, and form no part of the claimed design.

1 Claim, 6 Drawing Sheets



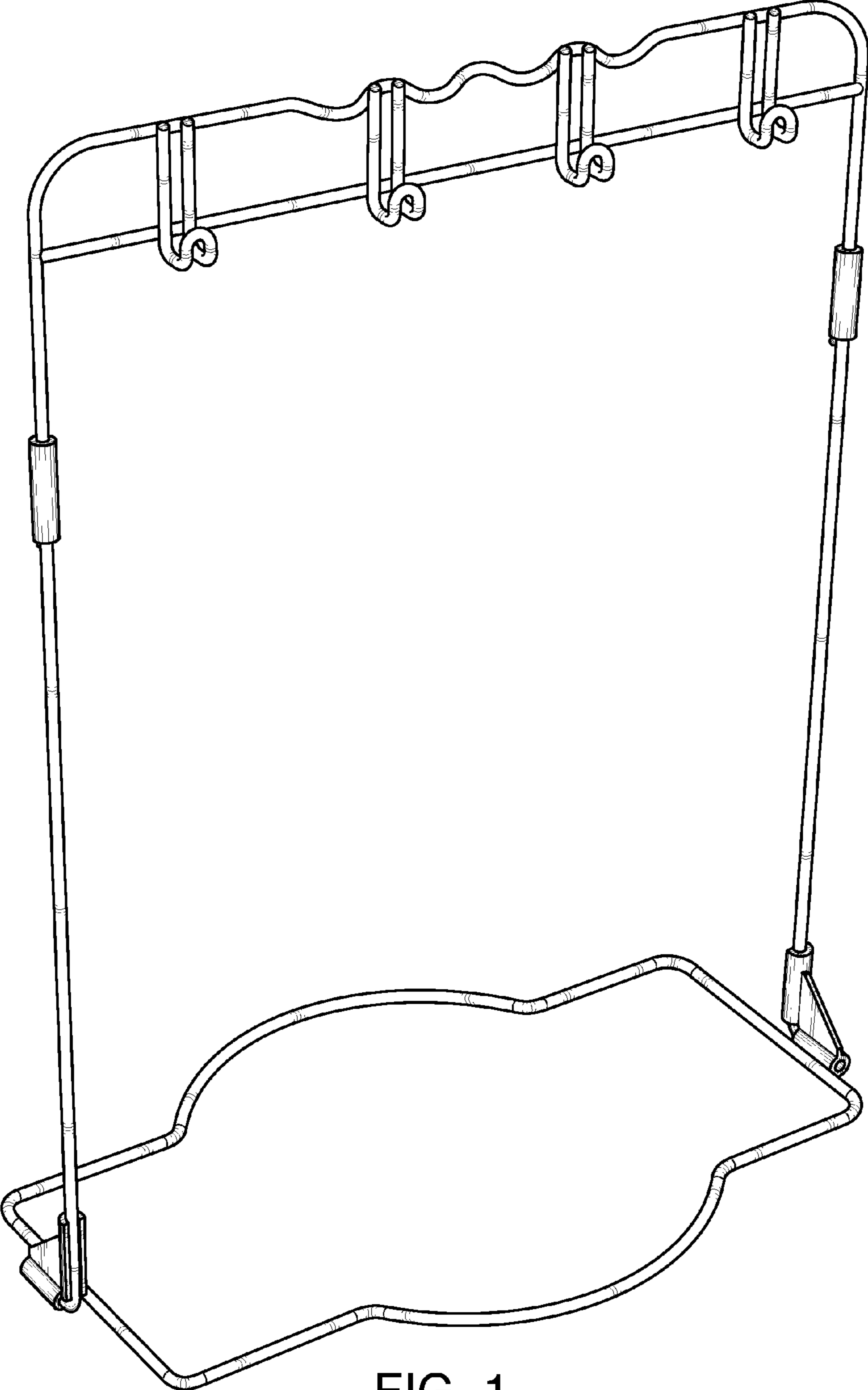


FIG. 1

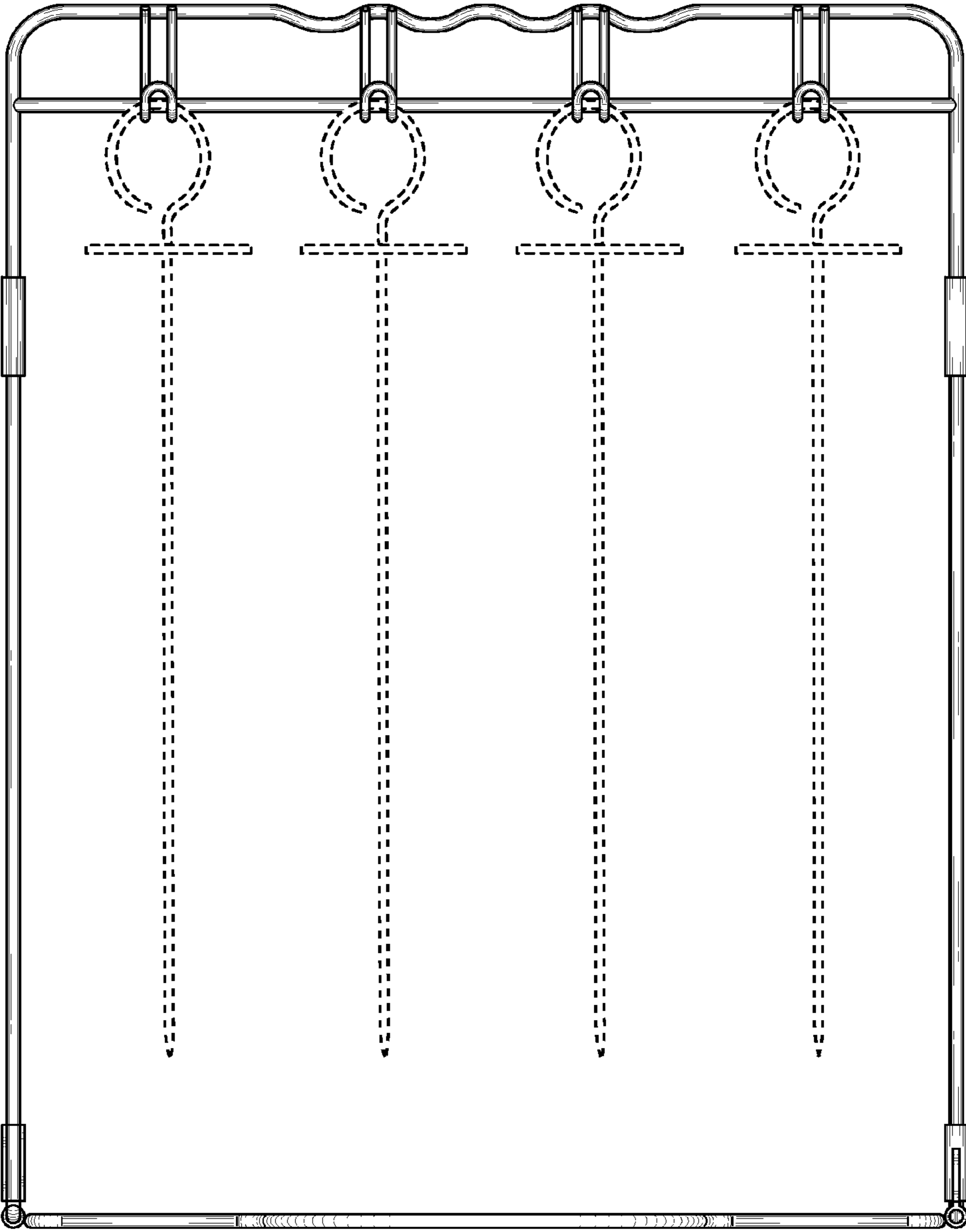


FIG. 2

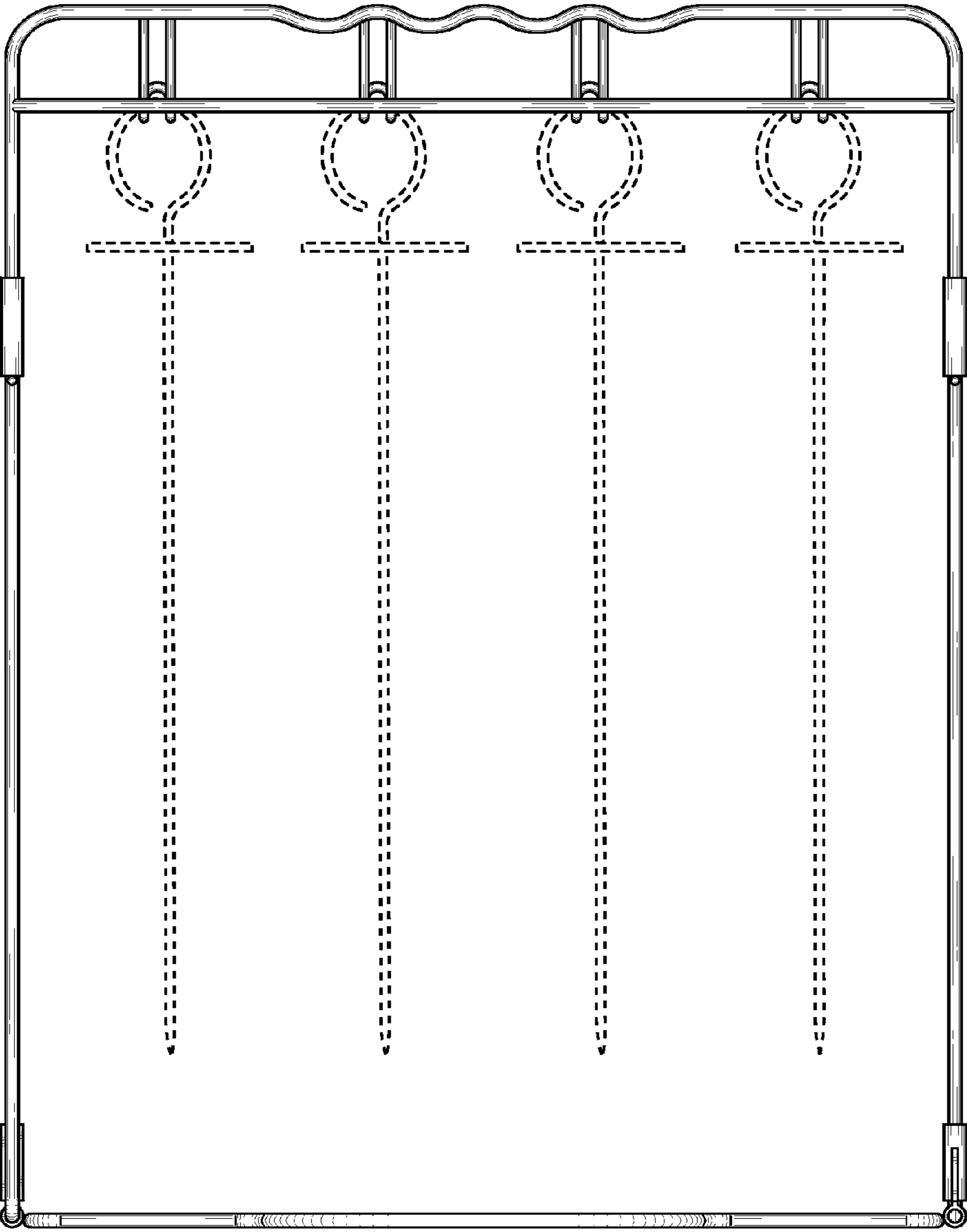


FIG. 3

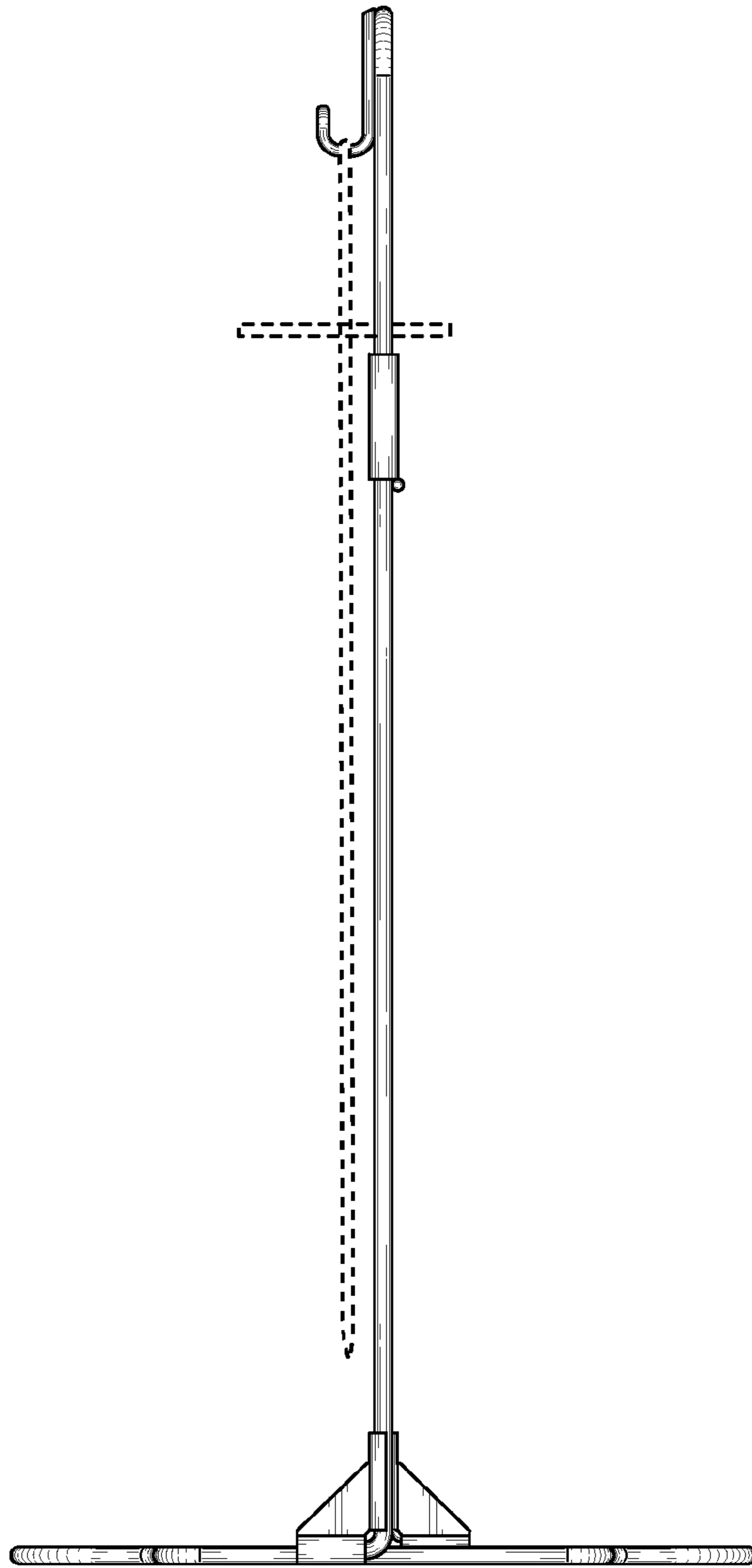


FIG. 4

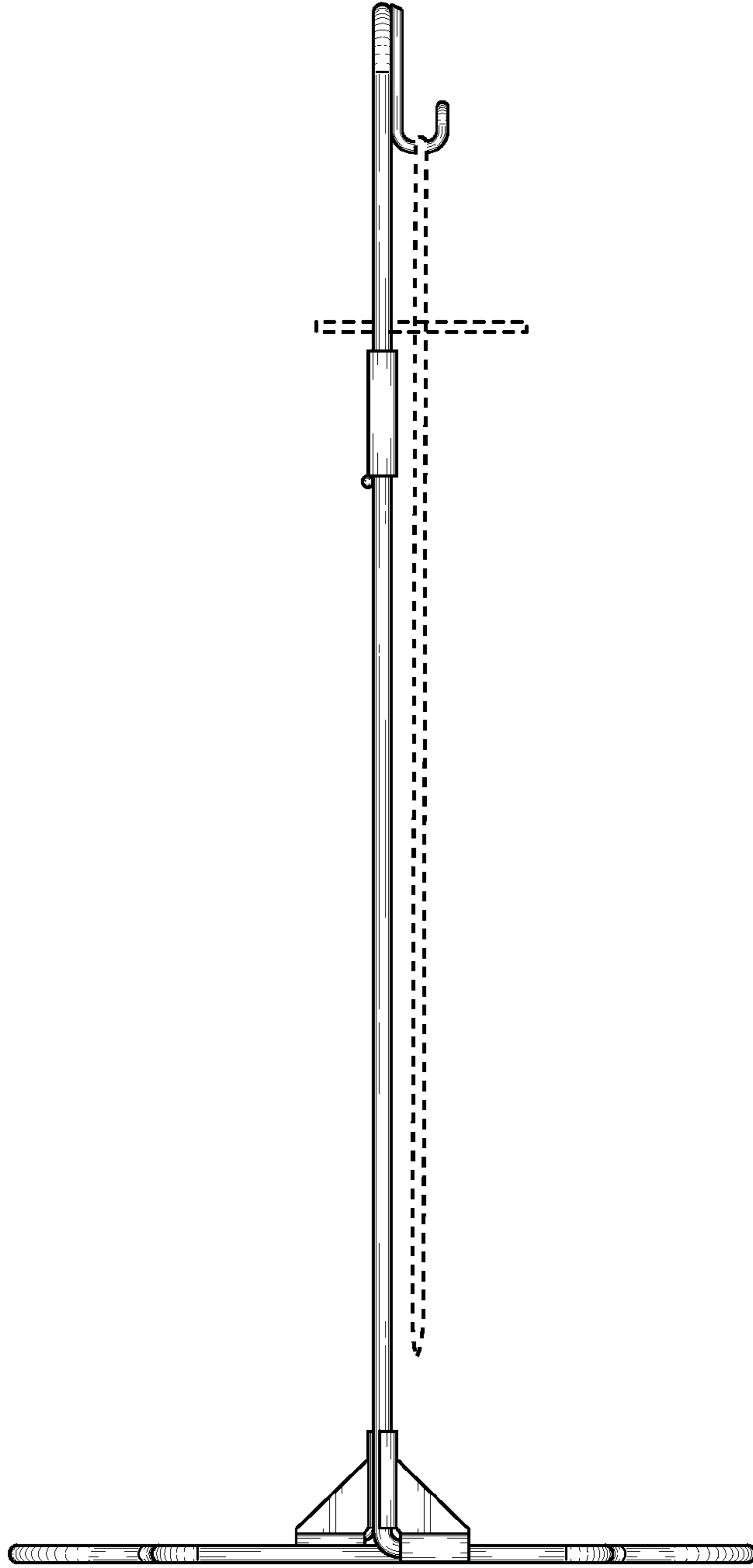


FIG. 5

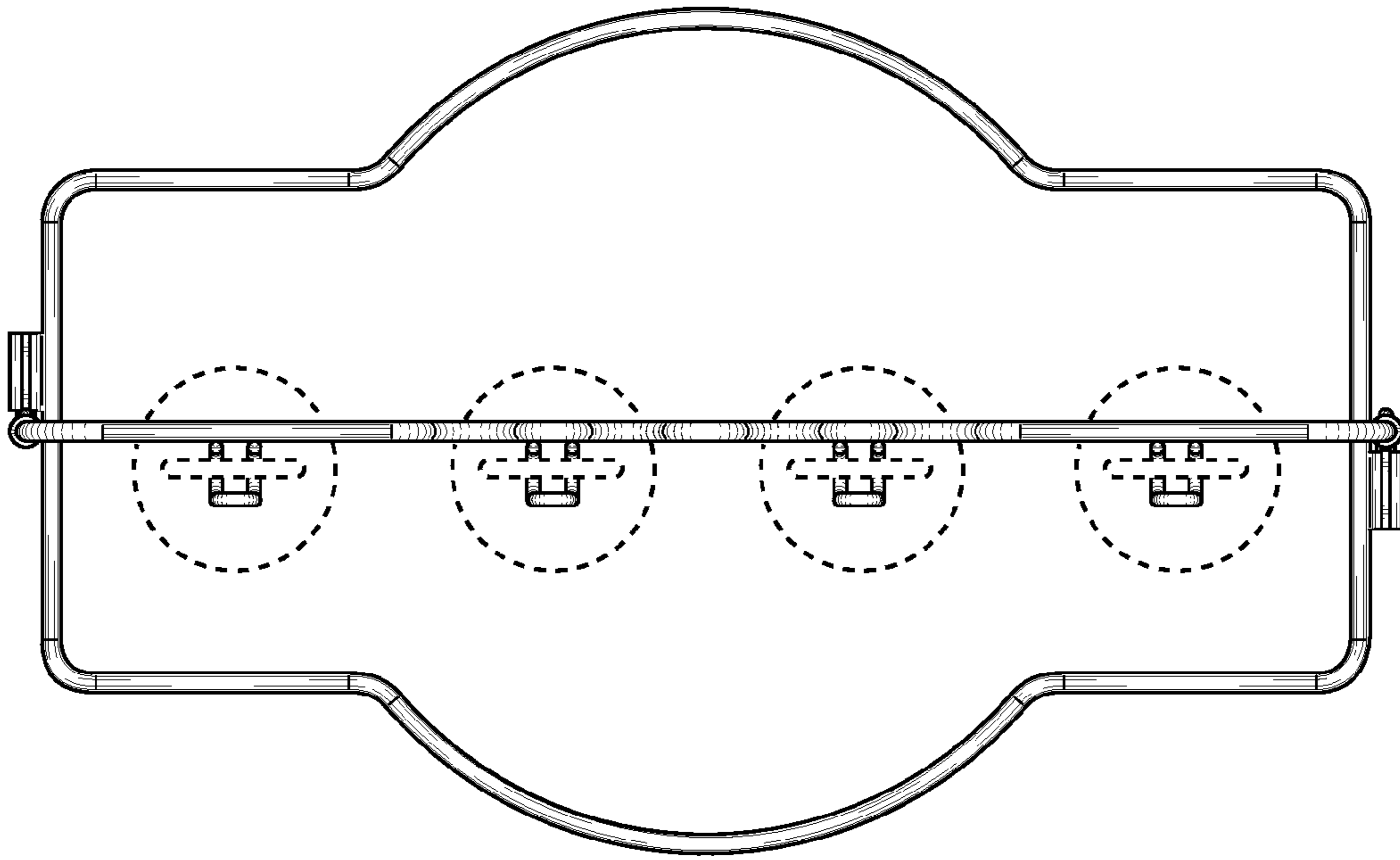


FIG. 6

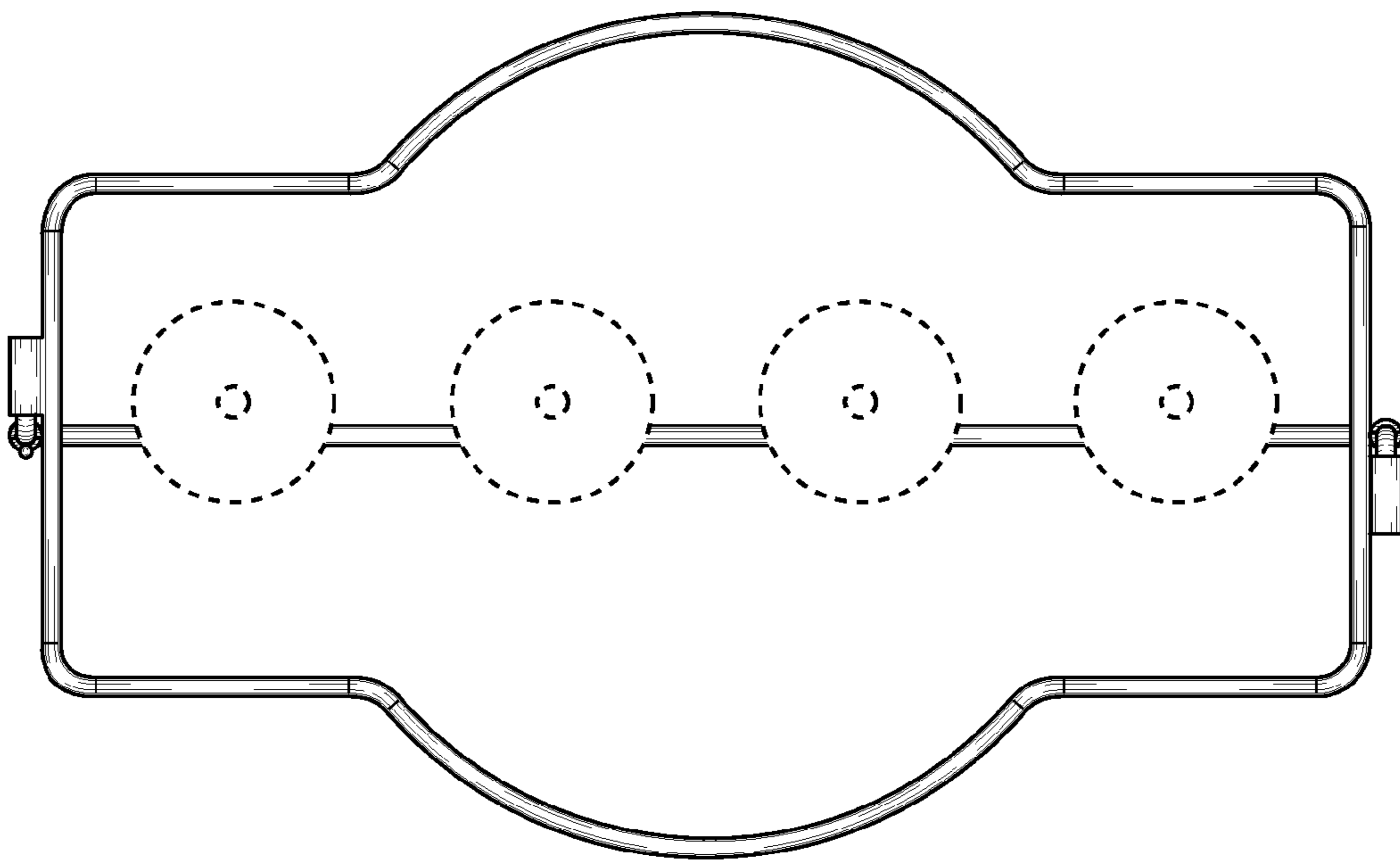


FIG. 7