



US00D690167S

(12) **United States Design Patent**
Lion

(10) **Patent No.:** **US D690,167 S**

(45) **Date of Patent:** **** Sep. 24, 2013**

(54) **PASTRY BAG SUPPORT**

(75) Inventor: **Mathieu Lion**, Paris (FR)

(73) Assignee: **Mastrad, S.A.**, Paris (FR)

(**) Term: **14 Years**

(21) Appl. No.: **29/410,140**

(22) Filed: **Jan. 4, 2012**

(51) **LOC (9) Cl.** **07-06**

(52) **U.S. Cl.**
USPC **D7/601**

(58) **Field of Classification Search**

USPC D7/601, 600.1-600.4, 701-708;
211/13.1, 71.01, 74, 70, 70.2, 70.6, 70.7,
211/69.1, 69, 68, 60.1, 85.4
See application file for complete search history.

(56) **References Cited**

U.S. PATENT DOCUMENTS

D577,952 S * 10/2008 Goode et al. D7/368
D630,532 S * 1/2011 Johnson et al. D10/46.2
D643,688 S * 8/2011 Lion D7/601

* cited by examiner

Primary Examiner — Terry Wallace

(74) *Attorney, Agent, or Firm* — Novak Druce Connolly
Bove + Quigg LLP

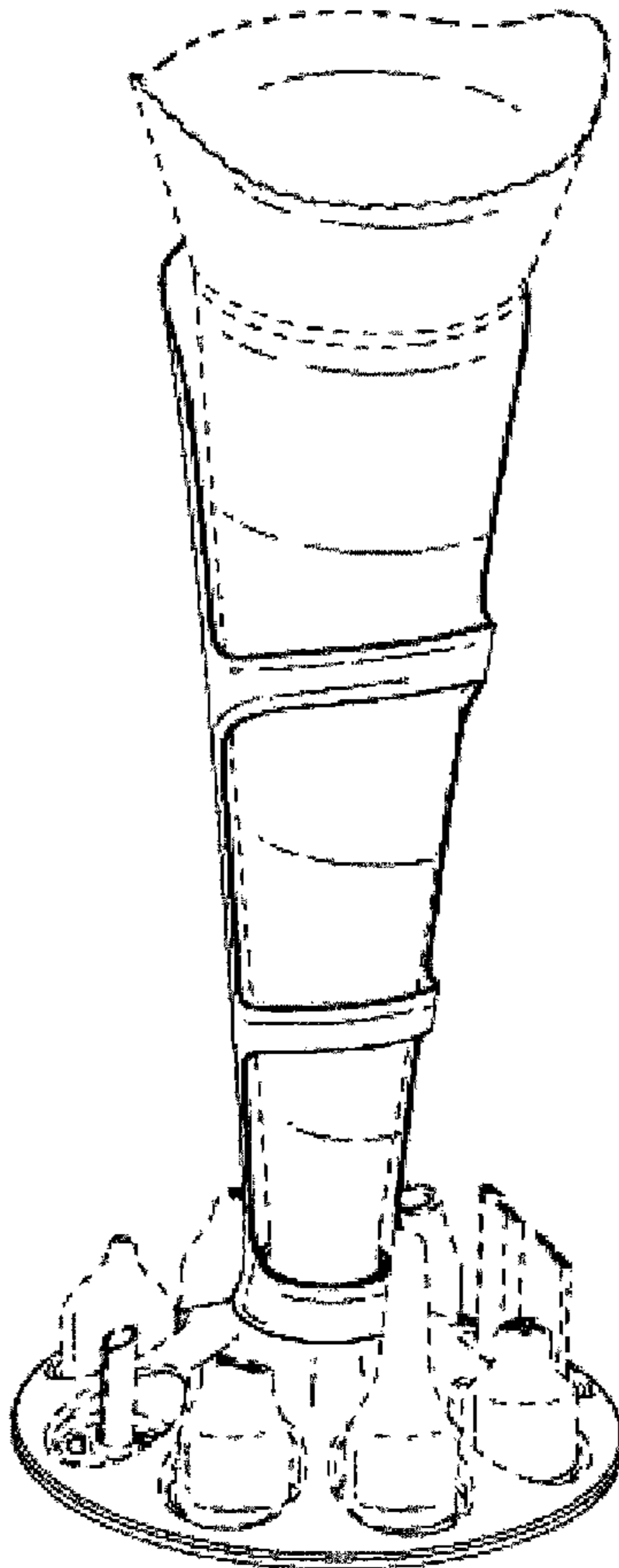
(57) **CLAIM**

The ornamental design for a pastry bag support, as shown and described.

DESCRIPTION

FIG. 1 is a perspective view of the pastry bag support;
FIG. 2 is an exploded perspective view of the pastry bag support;
FIG. 3 is a front plan view of the pastry bag support of FIG. 1;
FIG. 4 is a right side plan view of the pastry bag support of FIG. 1, with the left side plan view being identical; and,
FIG. 5 is a rear plan view of the pastry bag support of FIG. 1.
The pastry bag, tips and support for the tips on the base of the pastry bag support are depicted in broken lines in FIGS. 1-5 and form no part of the claimed design.

1 Claim, 5 Drawing Sheets



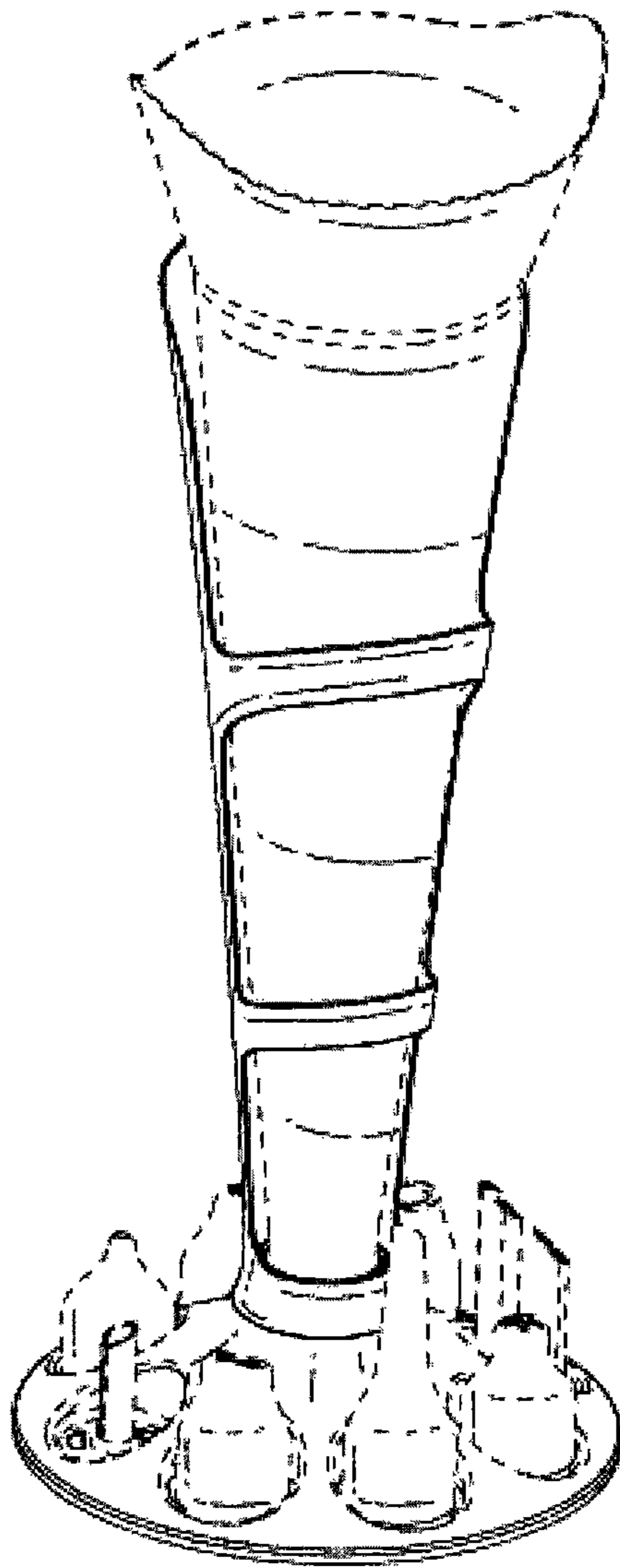


Fig. 1

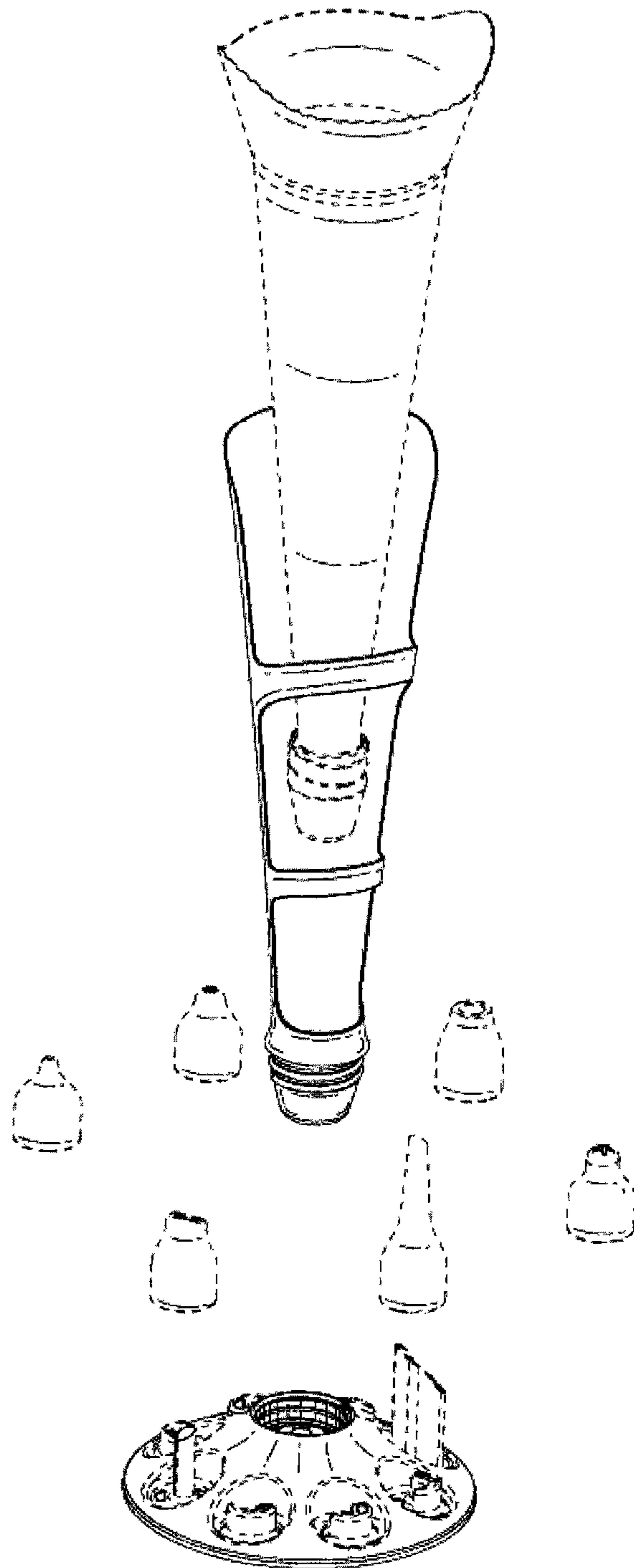


Fig. 2

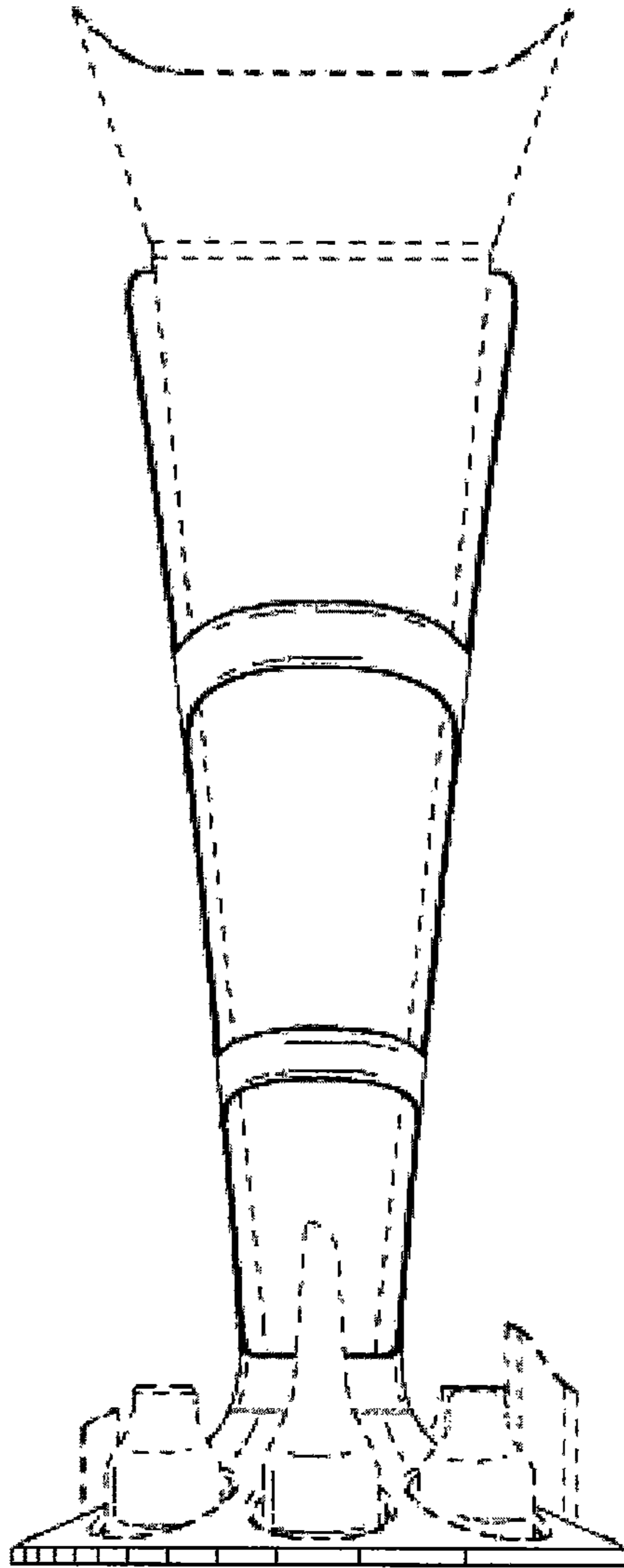


Fig. 3

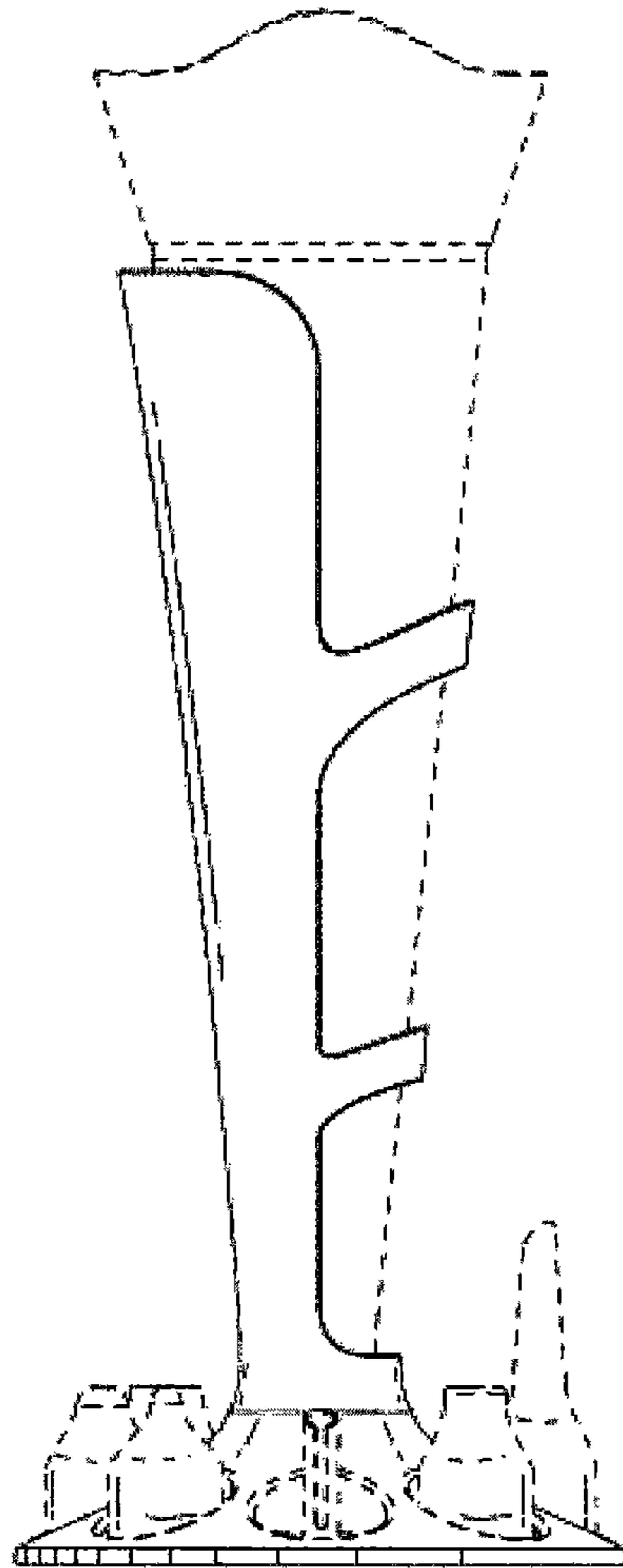


Fig. 4

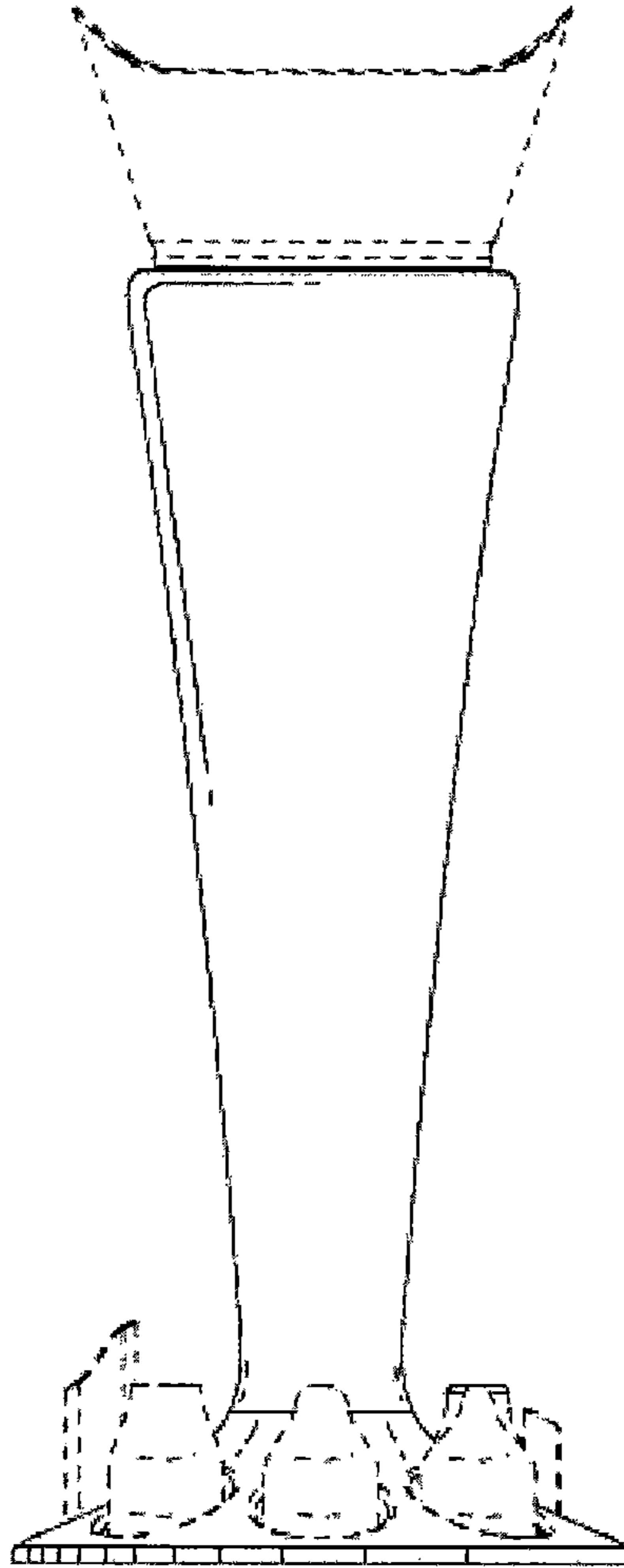


Fig. 5