

US00D690165S

(12) **United States Design Patent**
Hoefel

(10) **Patent No.:** **US D690,165 S**

(45) **Date of Patent:** **** Sep. 24, 2013**

(54) **TRAY**

(76) Inventor: **Jennifer Hoefel, Kambah (AU)**

(**) Term: **14 Years**

(21) Appl. No.: **29/419,976**

(22) Filed: **May 3, 2012**

(30) **Foreign Application Priority Data**

Nov. 15, 2011 (AU) 15213/2011

(51) **LOC (9) Cl.** **07-01**

(52) **U.S. Cl.**

USPC **D7/553.5**

(58) **Field of Classification Search**

USPC D7/553.1-554.1, 586-587; D9/428-429,
D9/420, 431, 422-426, 500-502; 220/23.83,
220/212, 500, 506-507, 520, 531, 574, 669;
206/223, 427, 562-564, 557, 821-822

See application file for complete search history.

(56) **References Cited**

U.S. PATENT DOCUMENTS

D48,234 S * 11/1915 Wilcox D7/590
D266,820 S * 11/1982 Ferrin D10/46.3
D280,773 S * 9/1985 Addy et al. D3/309
D345,512 S * 3/1994 Gaenzle D10/64
5,383,586 A * 1/1995 Leivan 224/547
5,765,689 A * 6/1998 Cobden et al. 206/562

D460,365 S * 7/2002 Bloom D10/64
D472,104 S * 3/2003 Jørgensen D7/590
D483,998 S * 12/2003 Bulcher et al. D7/553.1
D529,764 S * 10/2006 Schalk et al. D7/553.6
7,284,675 B2 * 10/2007 Chang 220/574
D573,841 S * 7/2008 Palmer D7/553.4
D616,932 S * 6/2010 Albers et al. D19/9
D631,203 S * 1/2011 Hall D28/73
D635,832 S * 4/2011 Bergin D7/701
8,146,737 B2 * 4/2012 D'Agostino 206/162

* cited by examiner

Primary Examiner — Kelley Donnelly

(74) *Attorney, Agent, or Firm* — Seed IP Law Group PLLC

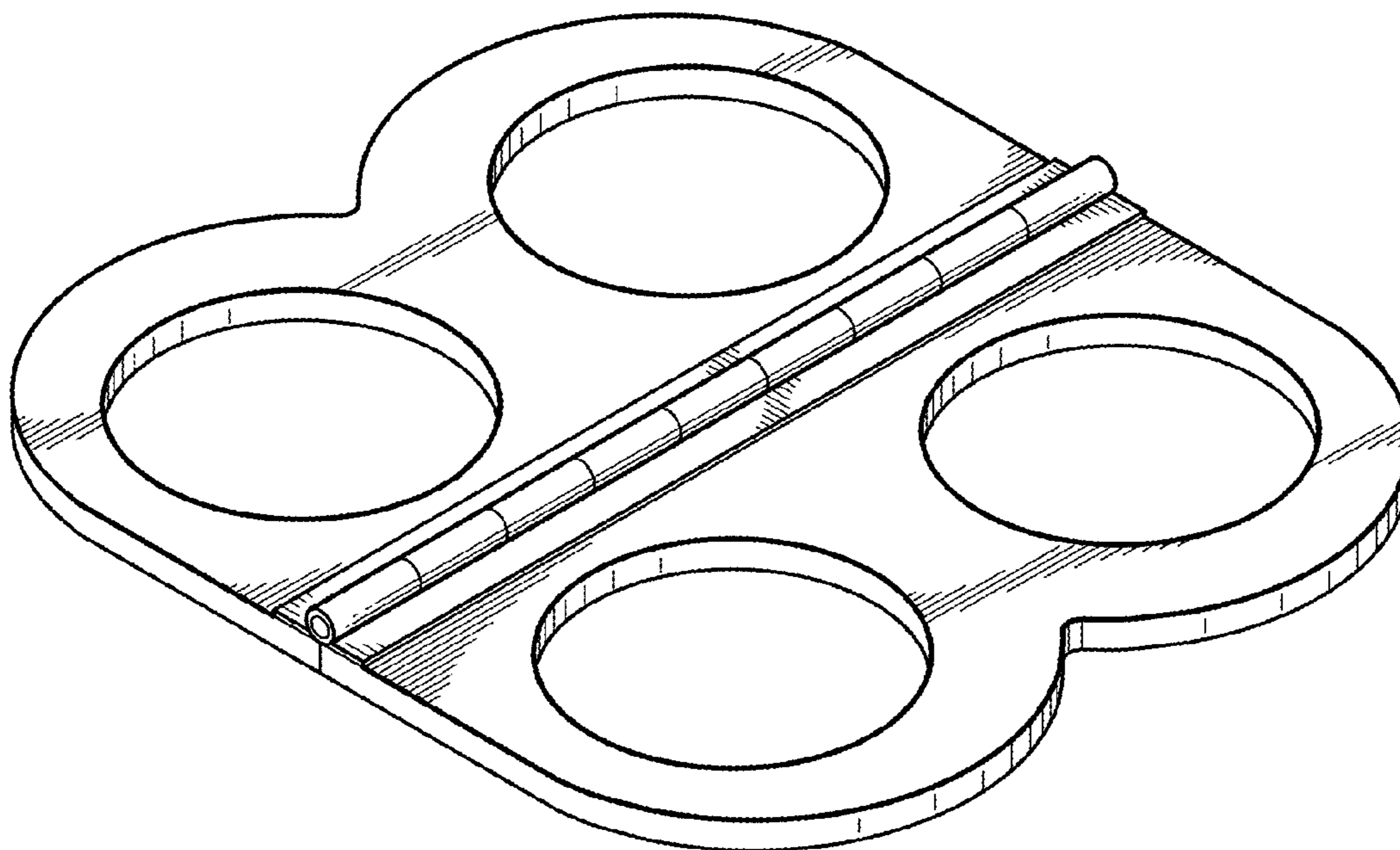
(57) **CLAIM**

The ornamental design for a tray, as shown and described.

DESCRIPTION

FIG. 1 is an isometric view of a tray showing my new design.
FIG. 2 is a top plan view thereof.
FIG. 3 is a bottom plan view thereof.
FIG. 4 is a side elevational view thereof, the other side view
being identical.
FIG. 5 is a front elevational view thereof, the rear elevational
view being identical; and,
FIG. 6 is a bottom plan view showing a first part of the tray
folded over a second part of the tray.

1 Claim, 4 Drawing Sheets



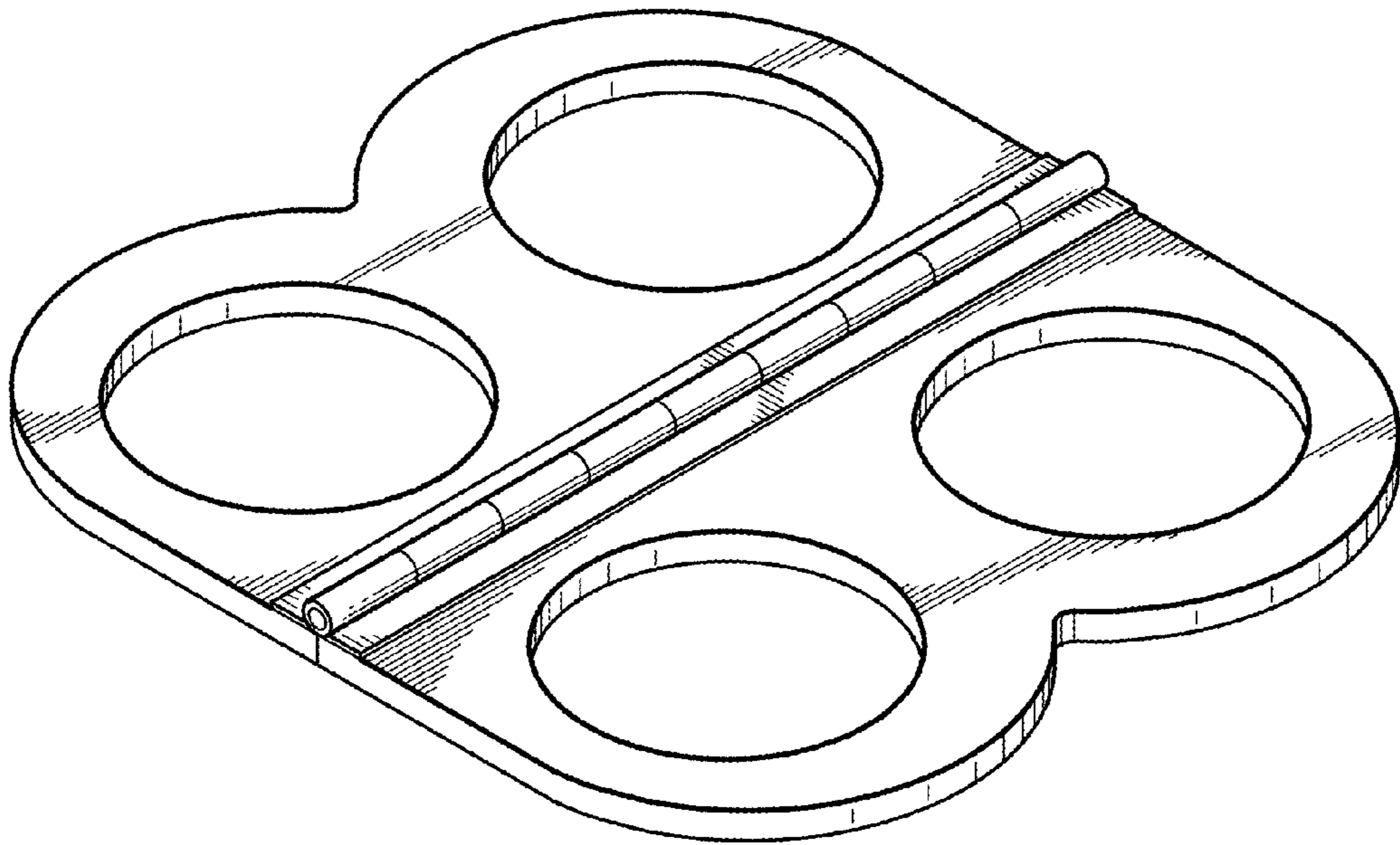


FIG. 1

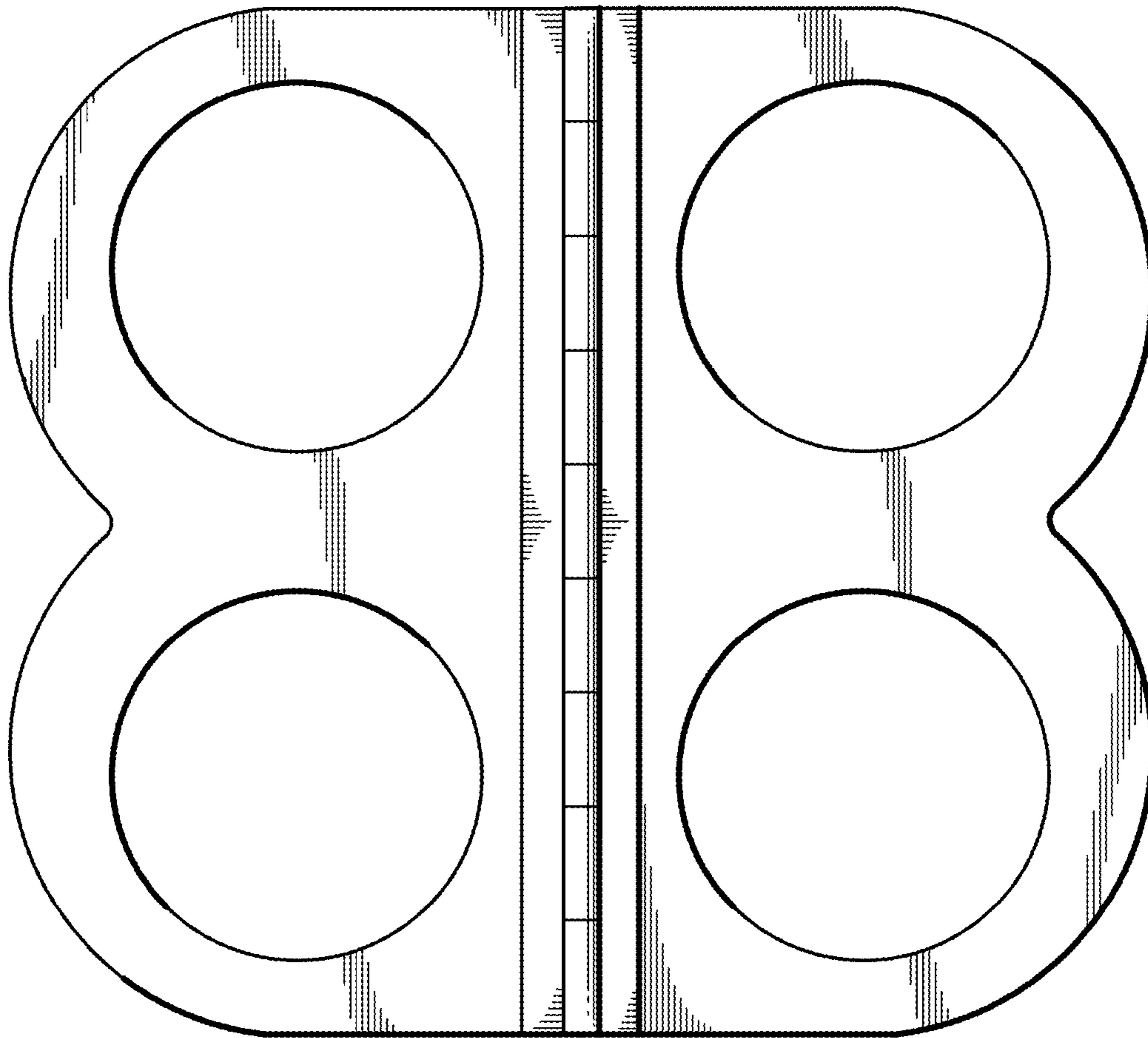


FIG. 2

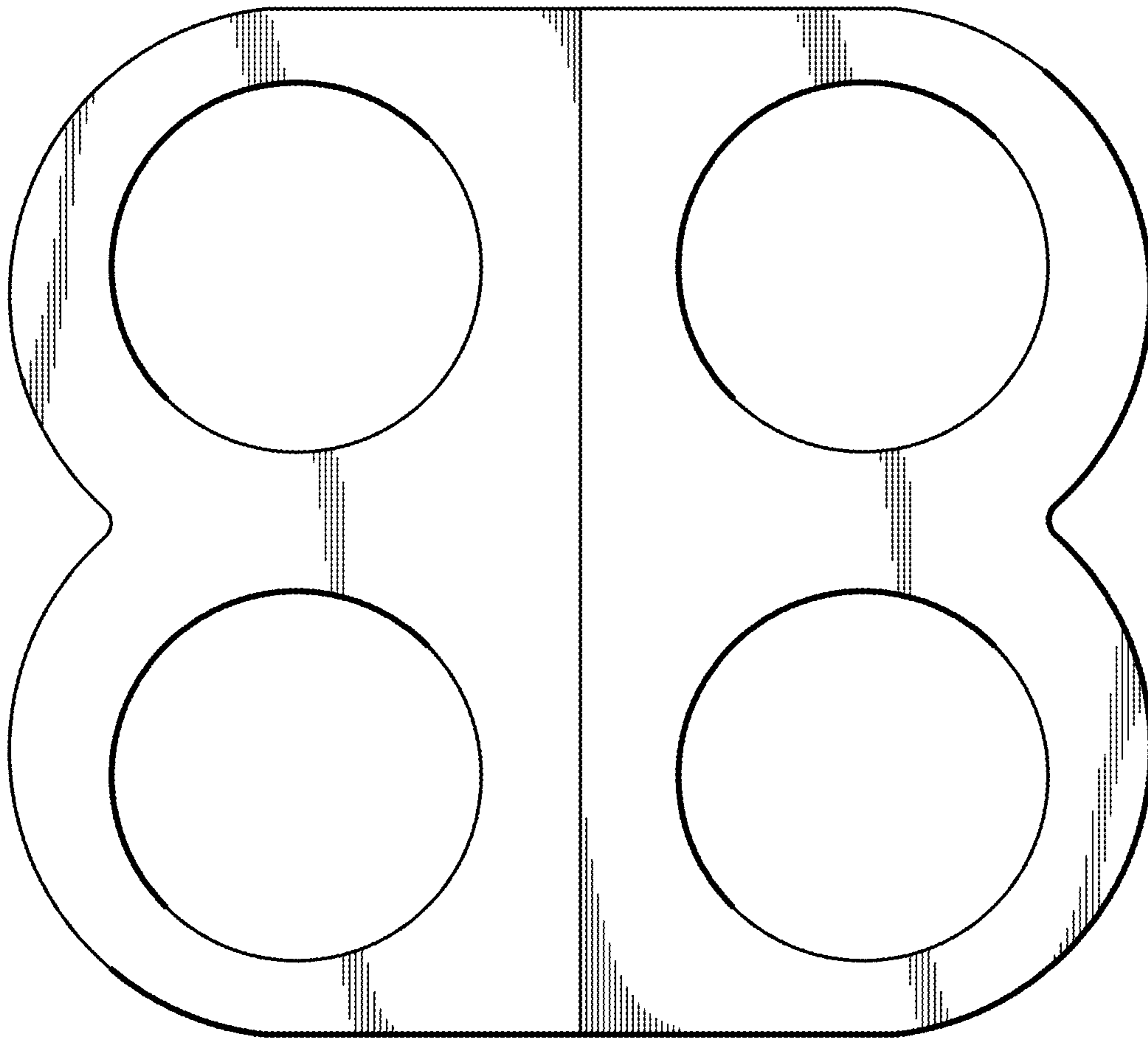


FIG. 3



FIG. 4



FIG. 5

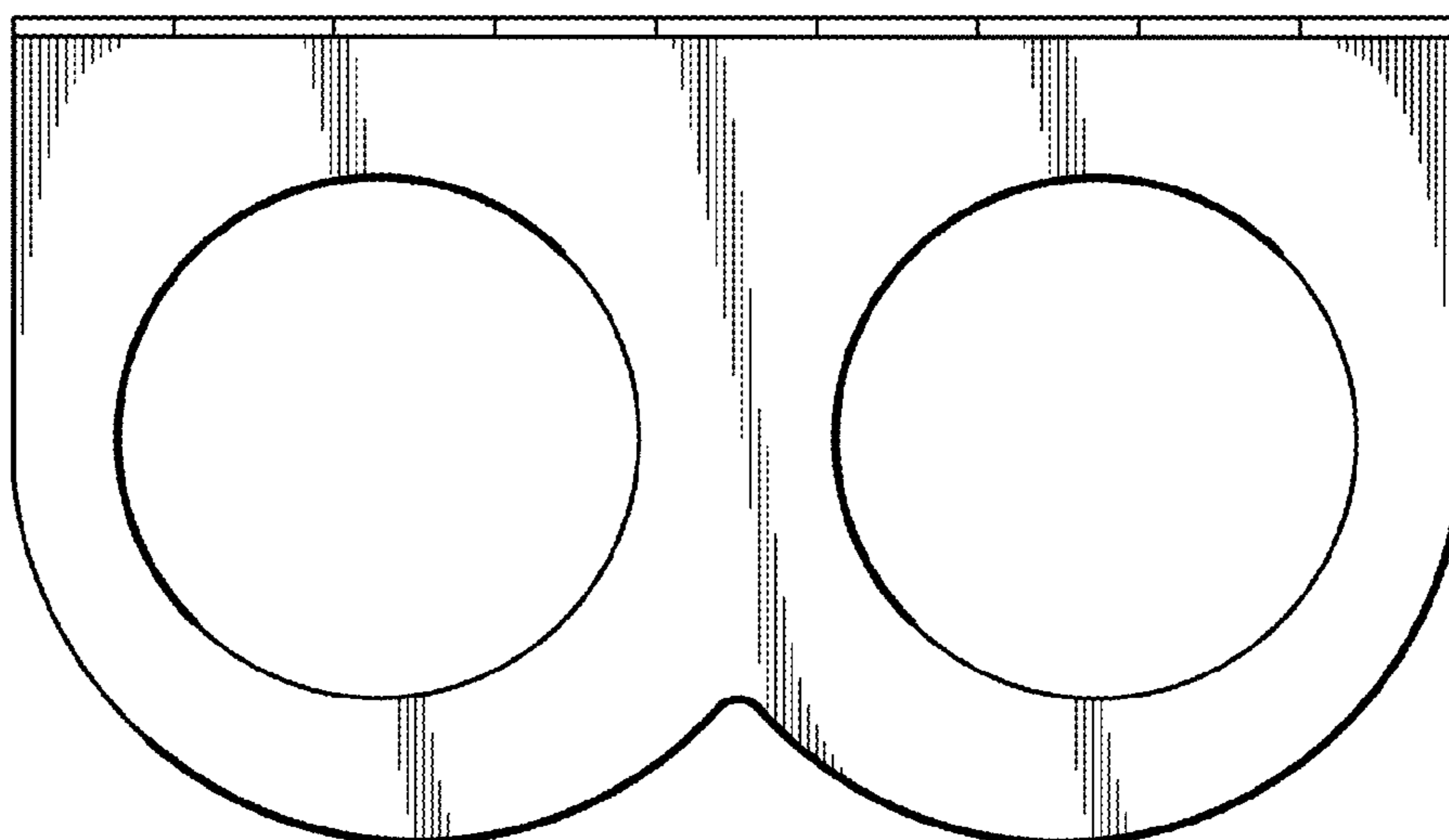


FIG. 6