



US00D690163S

(12) **United States Design Patent**
Gold et al.

(10) **Patent No.:** **US D690,163 S**

(45) **Date of Patent:** **** Sep. 24, 2013**

(54) **DRINKING BOTTLE**

(76) Inventors: **Jonathan Morris Gold**, London (GB);
Daniel Jason Tyler, London (GB)

(**) Term: **14 Years**

(21) Appl. No.: **29/425,508**

(22) Filed: **Jun. 23, 2012**

(51) **LOC (9) Cl.** **07-01**

(52) **U.S. Cl.**
USPC **D7/511; D7/510; D7/529; D7/534;**
D7/535; D24/197

(58) **Field of Classification Search**
USPC **D7/510, 511, 536, 533, 512, 529,**
D7/534, 535; D24/197; 220/703, 719, 713,
220/592.16, 592.17
See application file for complete search history.

(56) **References Cited**

U.S. PATENT DOCUMENTS

3,471,058	A *	10/1969	Latham et al.	222/92
D299,102	S *	12/1988	Maki	D7/612
D306,387	S *	3/1990	Junkman	D7/534
D347,967	S *	6/1994	Munari	D7/395
D370,156	S *	5/1996	Feltman et al.	D7/536

6,450,363	B1 *	9/2002	Lin	220/758
D465,384	S *	11/2002	Schanzer	D7/507
D530,980	S *	10/2006	Zerillo et al.	D7/509
D630,059	S *	1/2011	Gilbert et al.	D7/510
8,152,012	B1 *	4/2012	Berglund	215/396
D671,799	S *	12/2012	Sanders	D7/619.2
D675,877	S *	2/2013	Thomas	D7/534
D683,187	S *	5/2013	Gold et al.	D7/510
D684,015	S *	6/2013	Sanders	D7/619.2
D686,876	*	7/2013	Gatto	D7/396.2

* cited by examiner

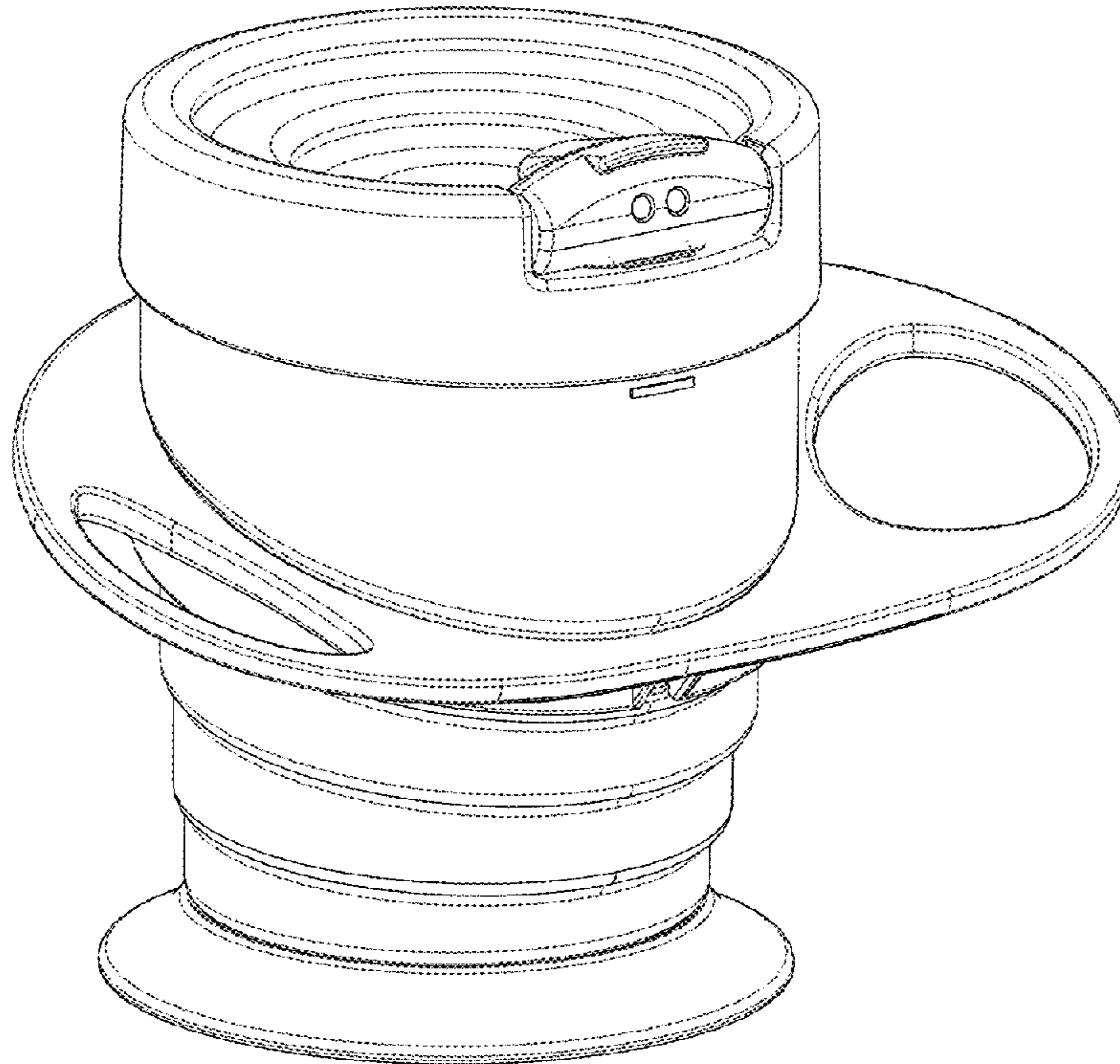
Primary Examiner — Marianne Pandozzi

(57) **CLAIM**
The ornamental design for a drinking bottle, as shown.

DESCRIPTION

FIG. 1 is a front perspective view of a drinking bottle showing our new design;
FIG. 2 is a rear perspective view thereof;
FIG. 3 is a front elevational view thereof;
FIG. 4 is a rear elevational view thereof;
FIG. 5 is a top plan view thereof;
FIG. 6 is a bottom plan view thereof;
FIG. 7 is a first side elevational view thereof; and,
FIG. 8 is a second side elevational view thereof rotated by 180° relative to the first side elevational view of FIG. 7.

1 Claim, 8 Drawing Sheets



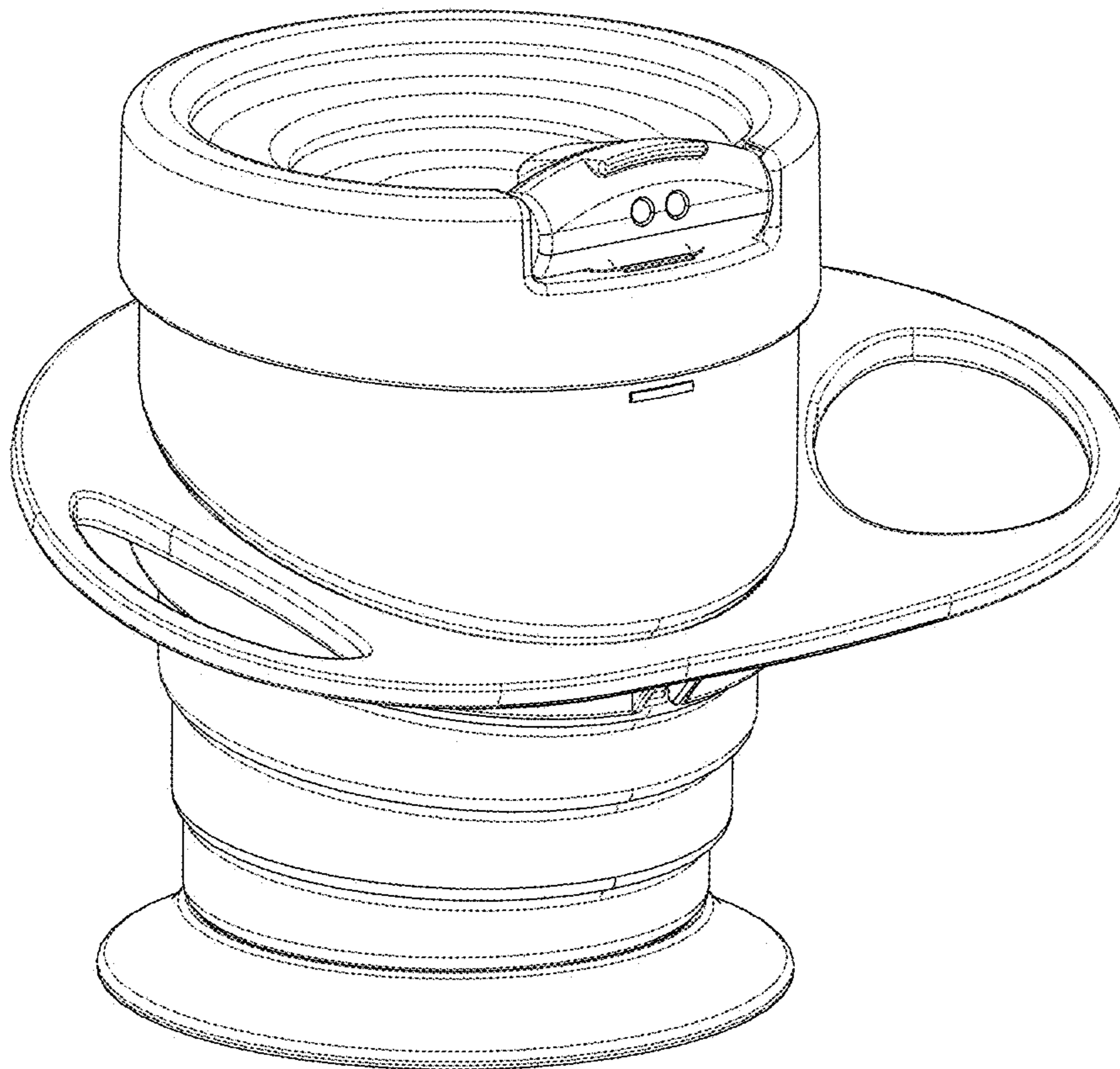


Fig. 1

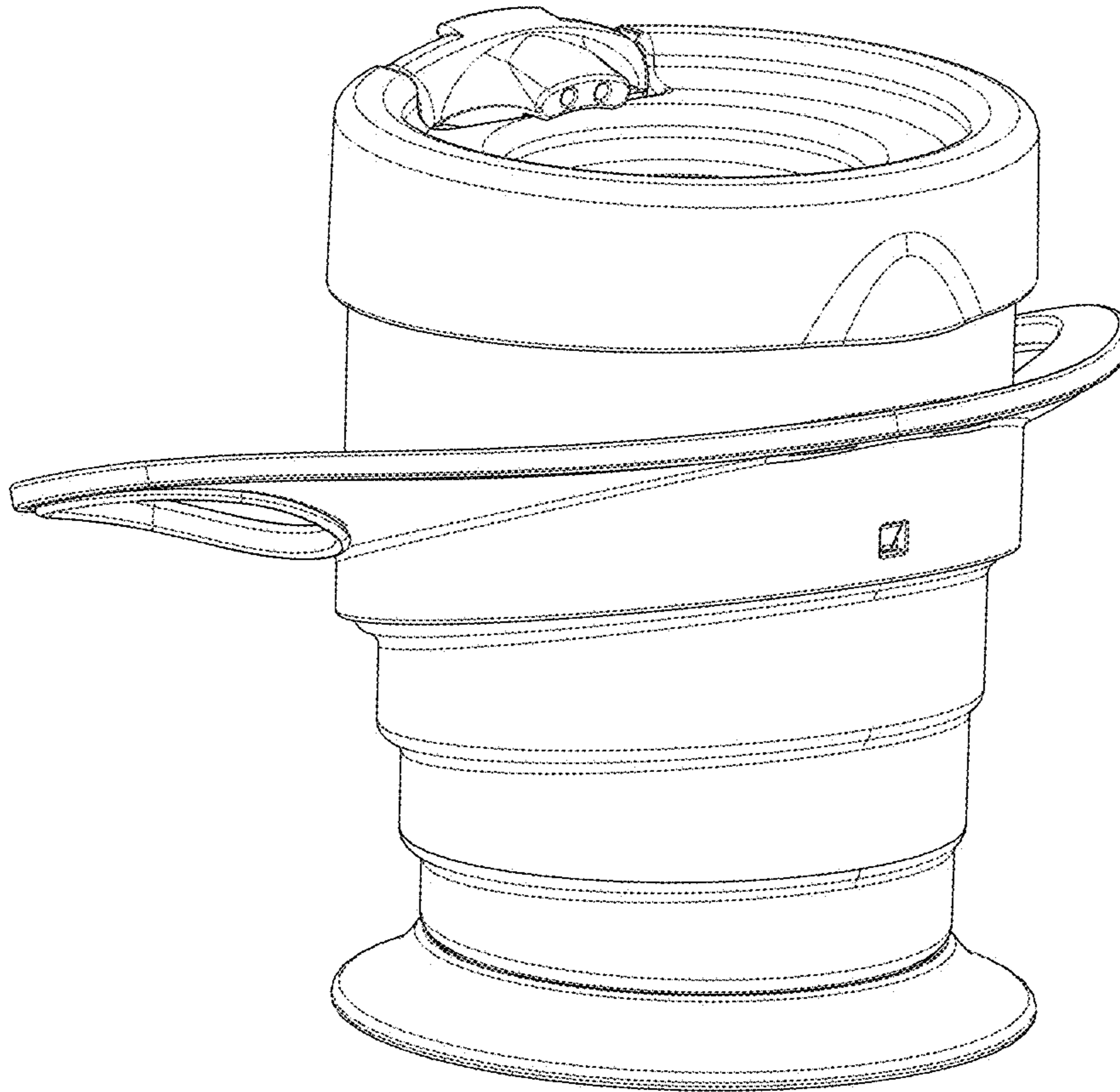


Fig. 2

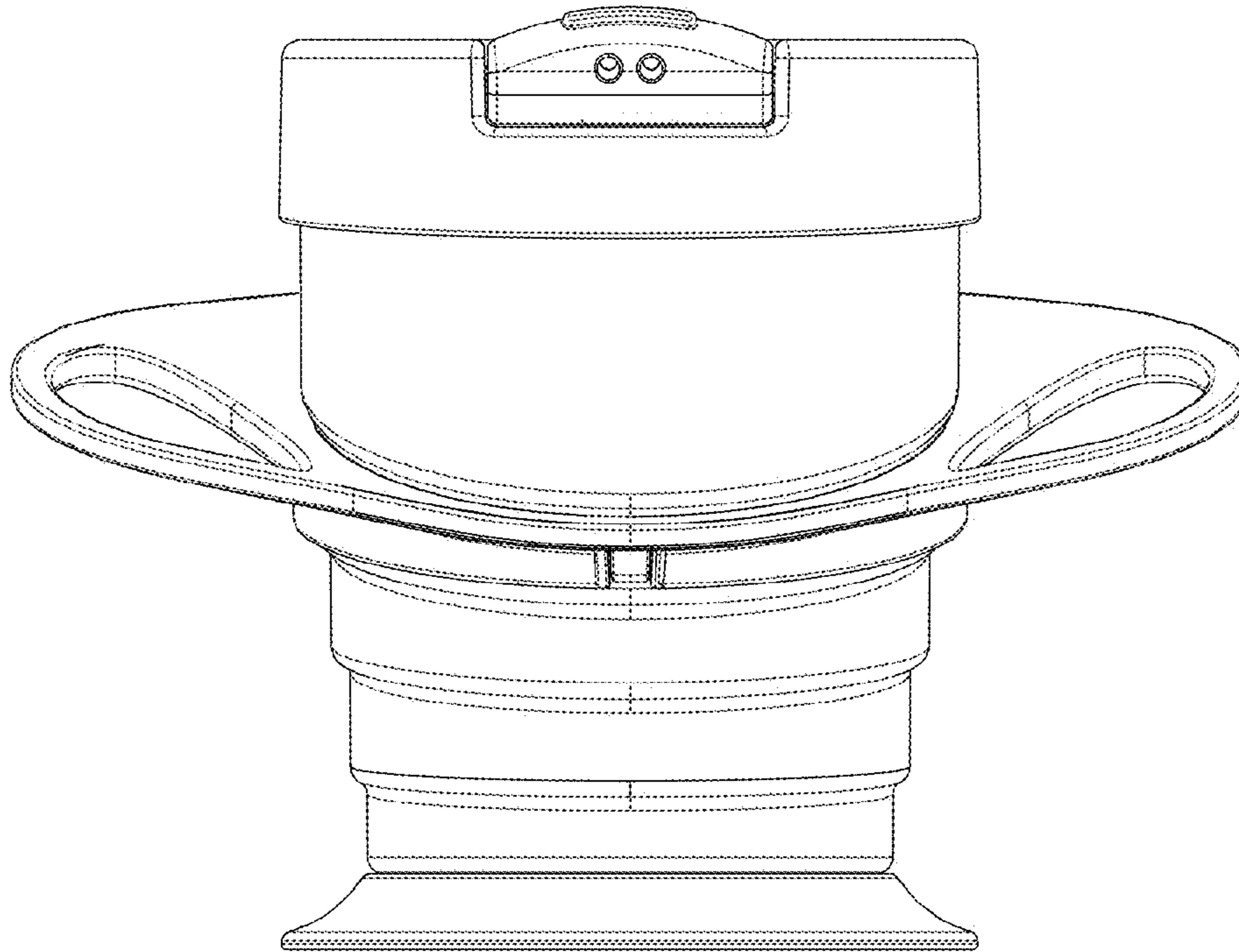


Fig. 3

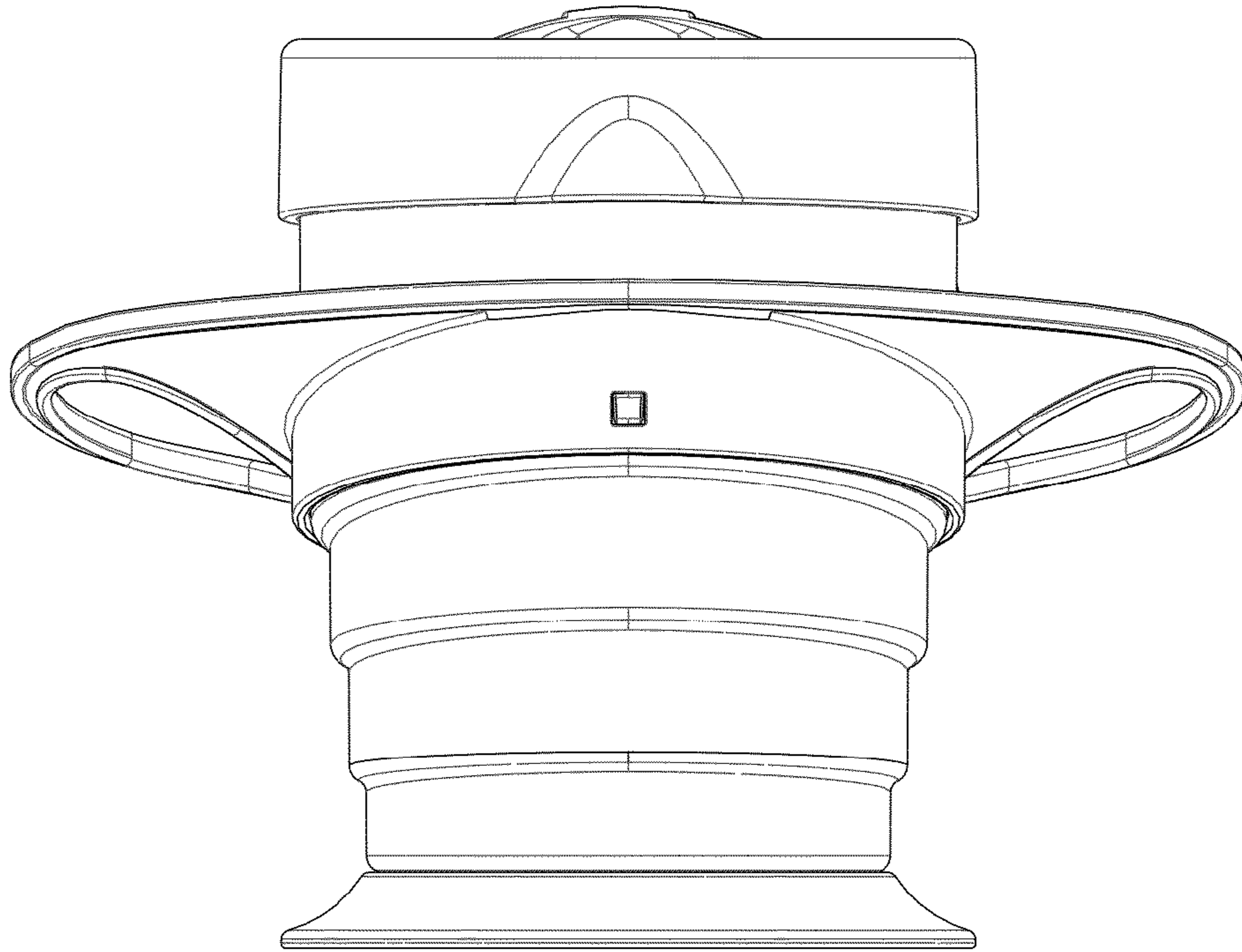


Fig. 4

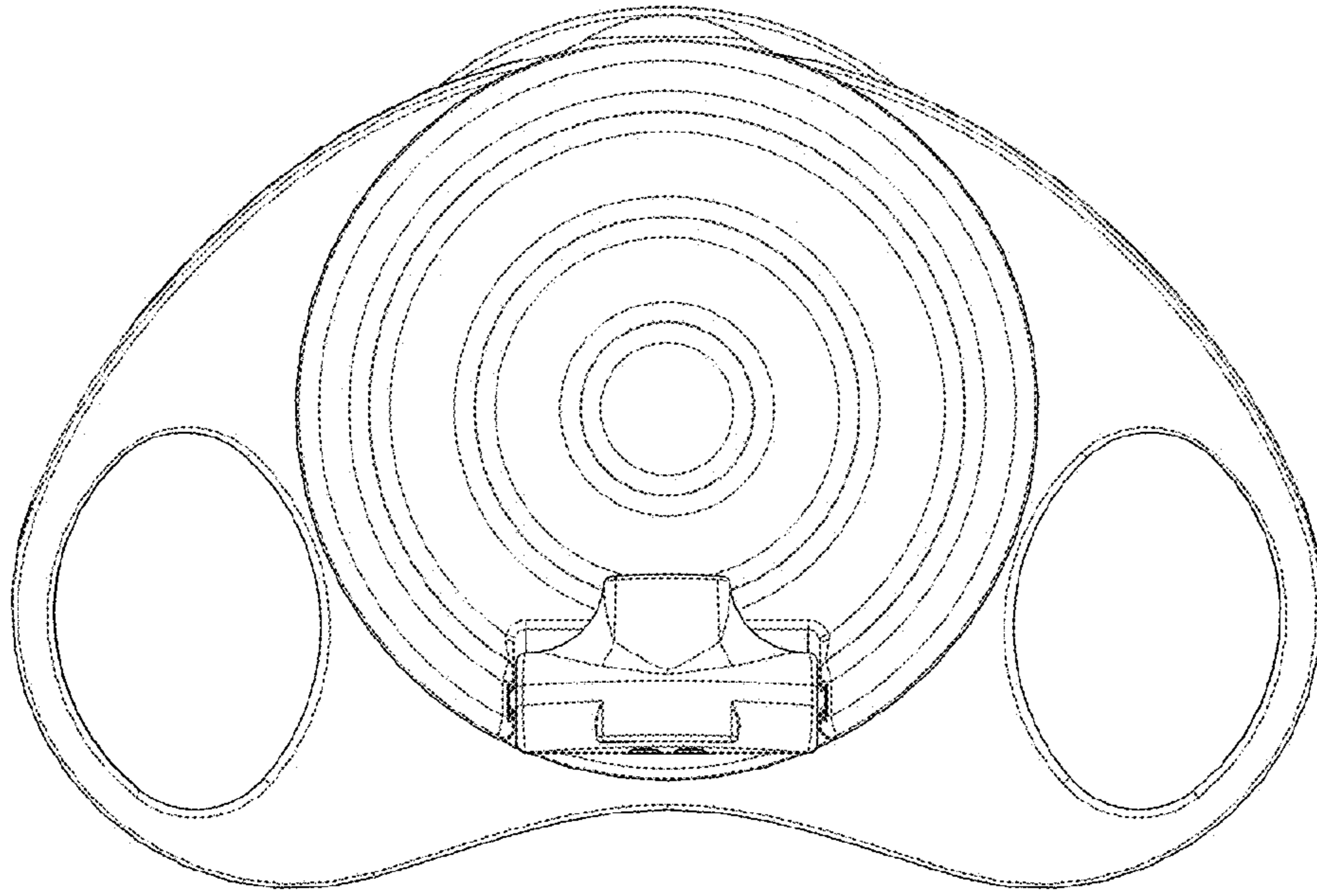


Fig. 5

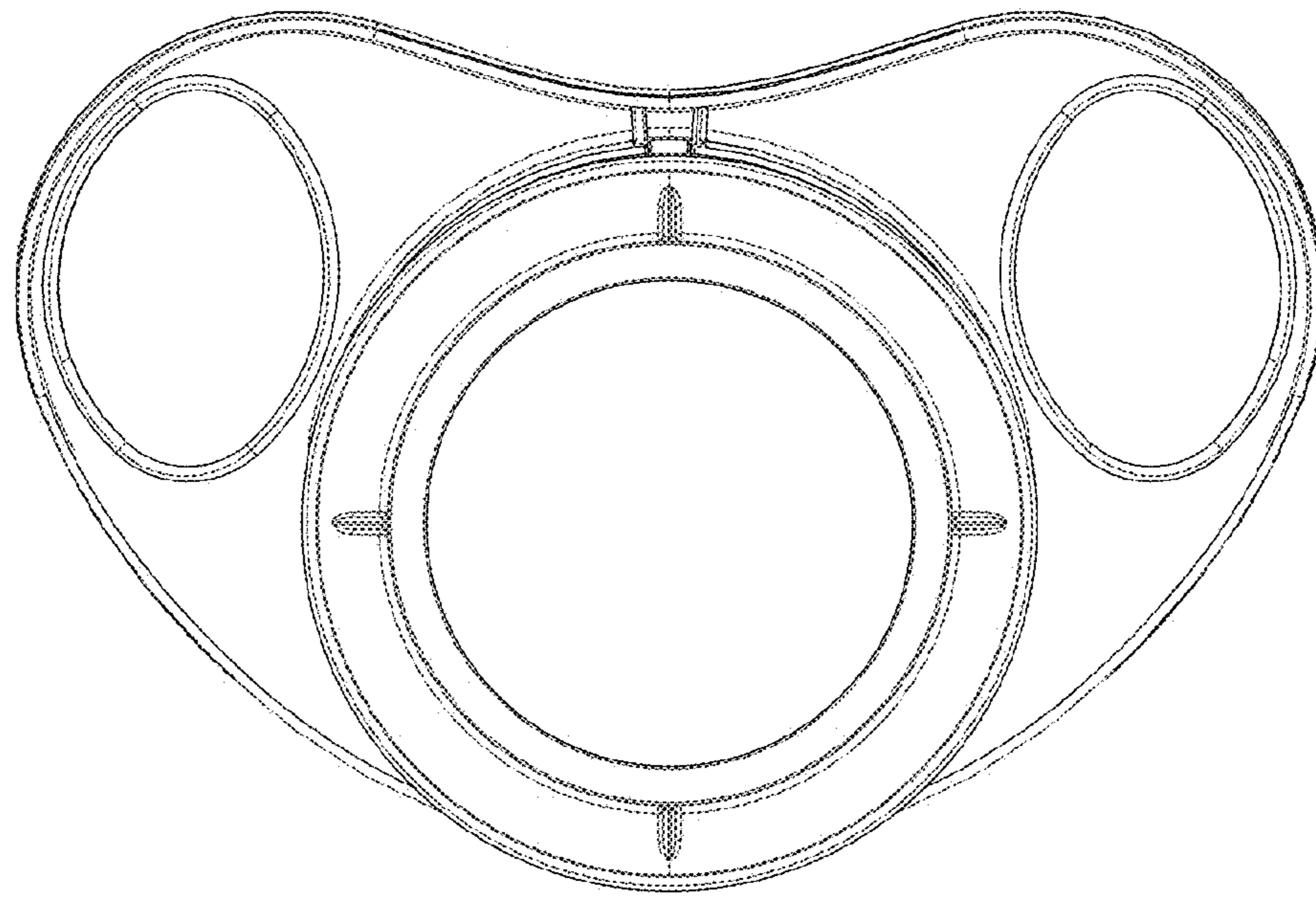


Fig. 6

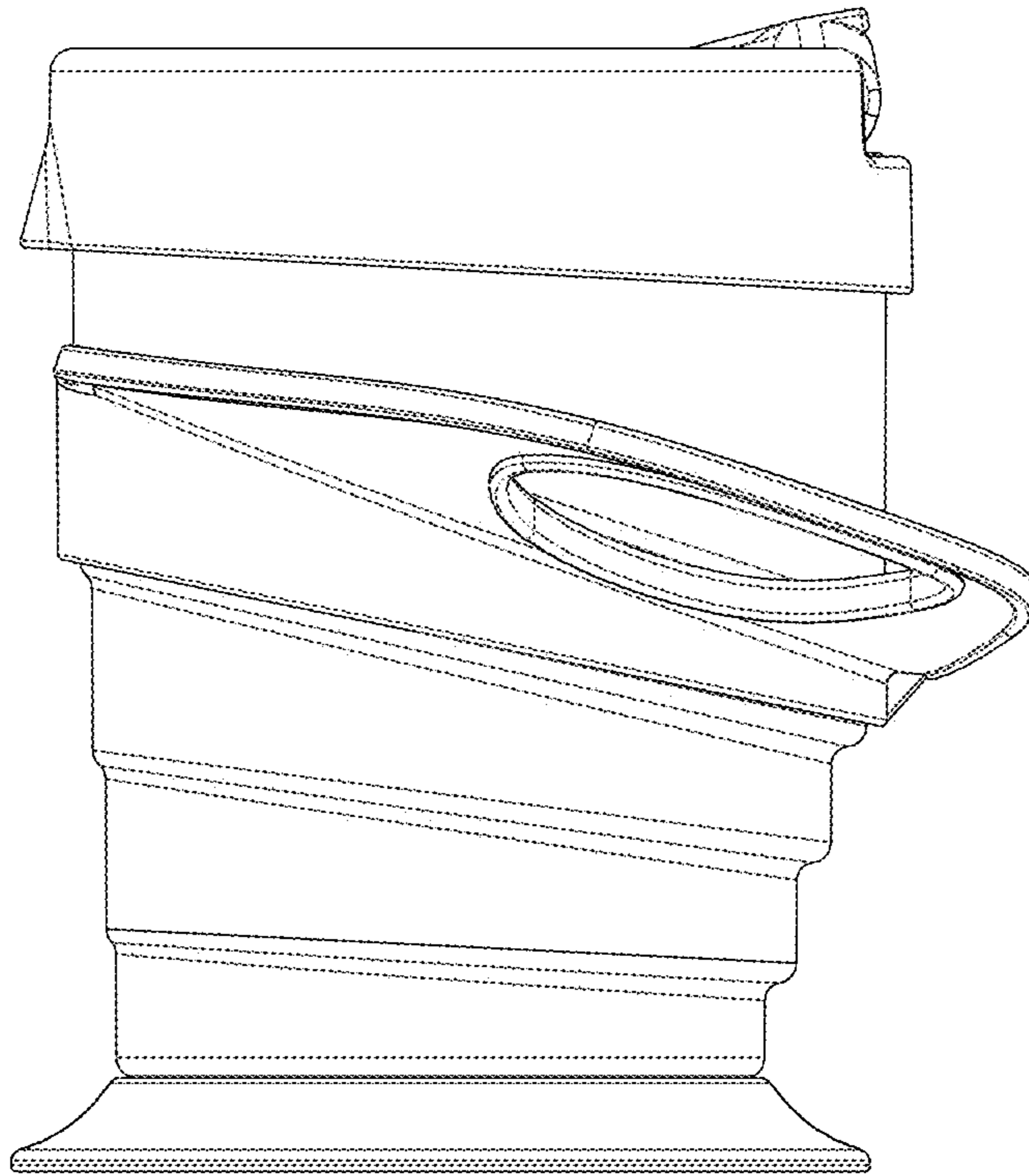


Fig. 7

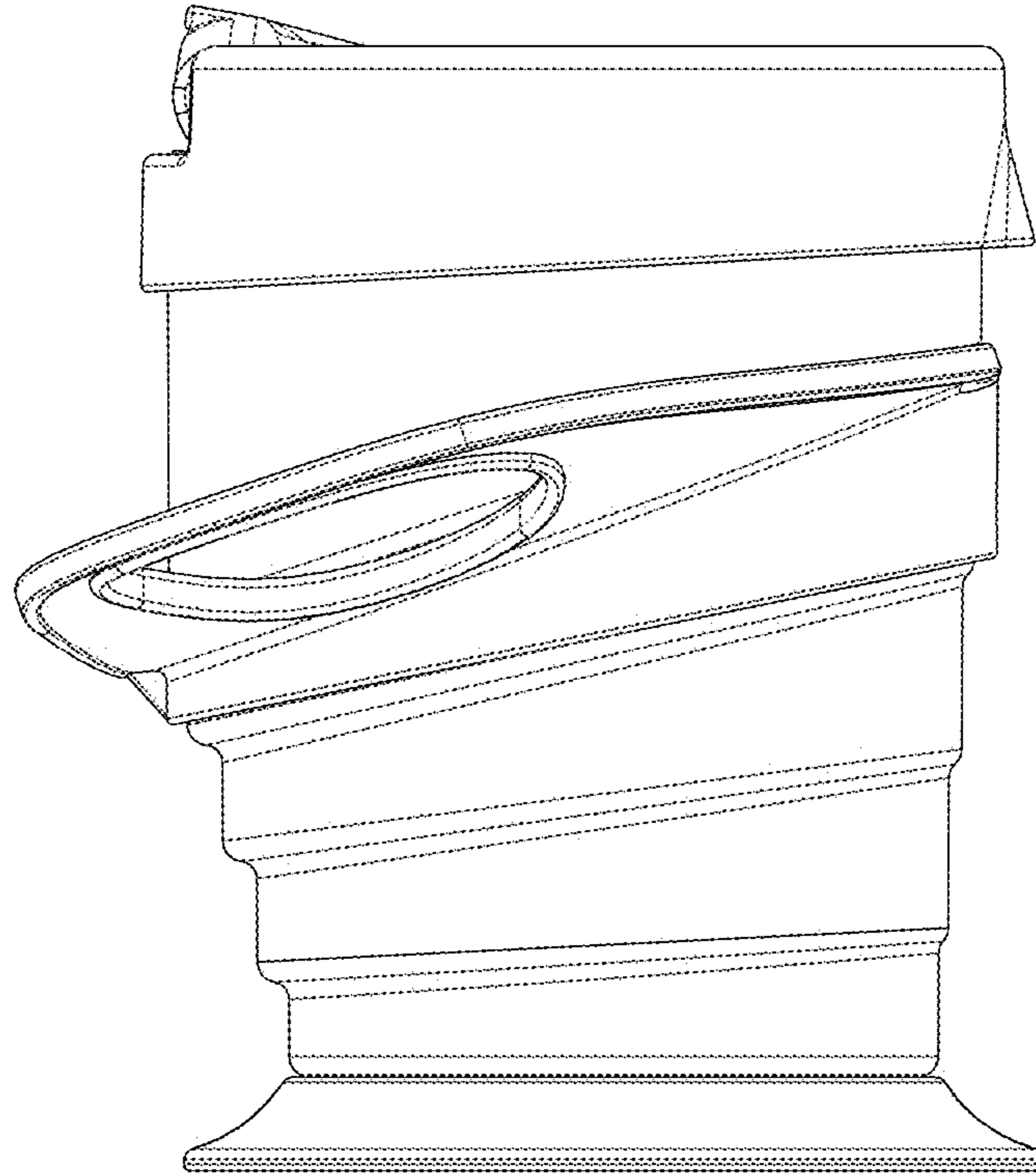


Fig. 8