

US00D690161S

(12) **United States Design Patent**
Garner

(10) **Patent No.:** **US D690,161 S**

(45) **Date of Patent:** **** Sep. 24, 2013**

(54) **BEVERAGE CONTAINER**

(76) Inventor: **Alexander Garner**, Austin, TX (US)

(**) Term: **14 Years**

(21) Appl. No.: **29/393,401**

(22) Filed: **Jun. 3, 2011**

(51) **LOC (9) Cl.** **07-01**

(52) **U.S. Cl.**
USPC **D7/510; D7/511; D7/608**

(58) **Field of Classification Search**
USPC **D7/510, 511, 608; D9/503, 504;**
220/715, 703

See application file for complete search history.

(56) **References Cited**

U.S. PATENT DOCUMENTS

D278,121 S *	3/1985	Sussman	D9/504
D408,689 S *	4/1999	Kato	D7/608
D530,572 S *	10/2006	Daams	D7/615
D611,765 S *	3/2010	George	D7/510
D618,508 S *	6/2010	George et al.	D7/510
D627,603 S *	11/2010	Eyal	D7/510
D639,661 S *	6/2011	Llerena	D9/504

D639,662 S *	6/2011	Riguzzi	D9/504
D647,760 S *	11/2011	Pearson	D7/510
D651,852 S *	1/2012	George	D7/510
D652,682 S *	1/2012	Eyal	D7/510
D655,134 S *	3/2012	Gilbert	D7/510
D657,195 S *	4/2012	Menceles et al.	D7/510

* cited by examiner

Primary Examiner — Marianne Pandozzi

(74) *Attorney, Agent, or Firm* — Egbert Law Offices, PLLC

(57) **CLAIM**

The ornamental design for a beverage container, as shown and described.

DESCRIPTION

FIG. 1 is an upper perspective view of the beverage container showing my design.

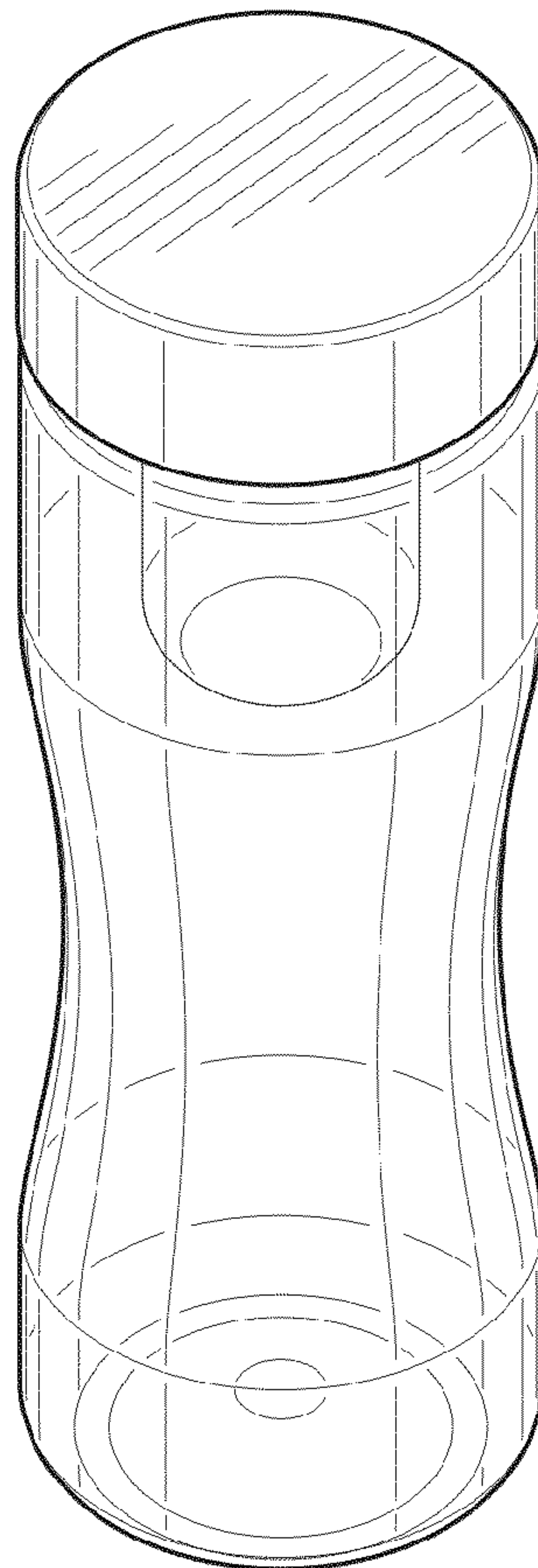
FIG. 2 is a side view thereof, an opposite side view being identical;

FIG. 3 is a top view thereof;

FIG. 4 is a bottom view thereof; and,

FIG. 5 is an exploded perspective view thereof showing the various components of the beverage container.

1 Claim, 2 Drawing Sheets



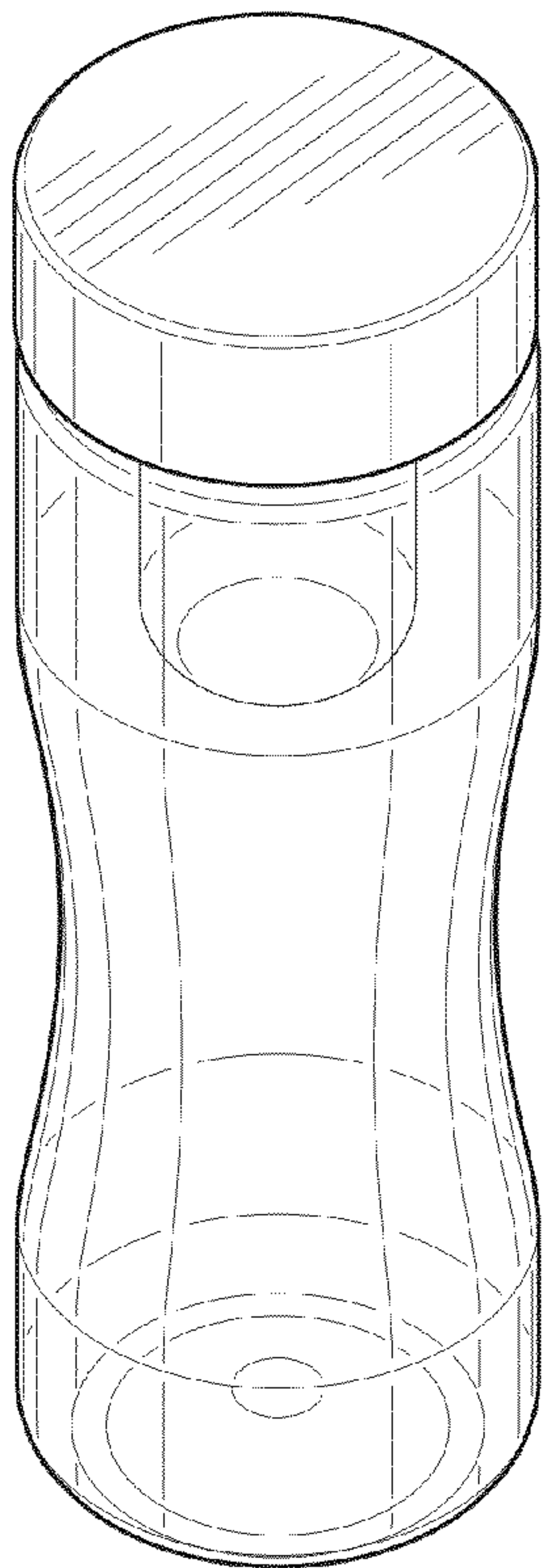


FIG. 1

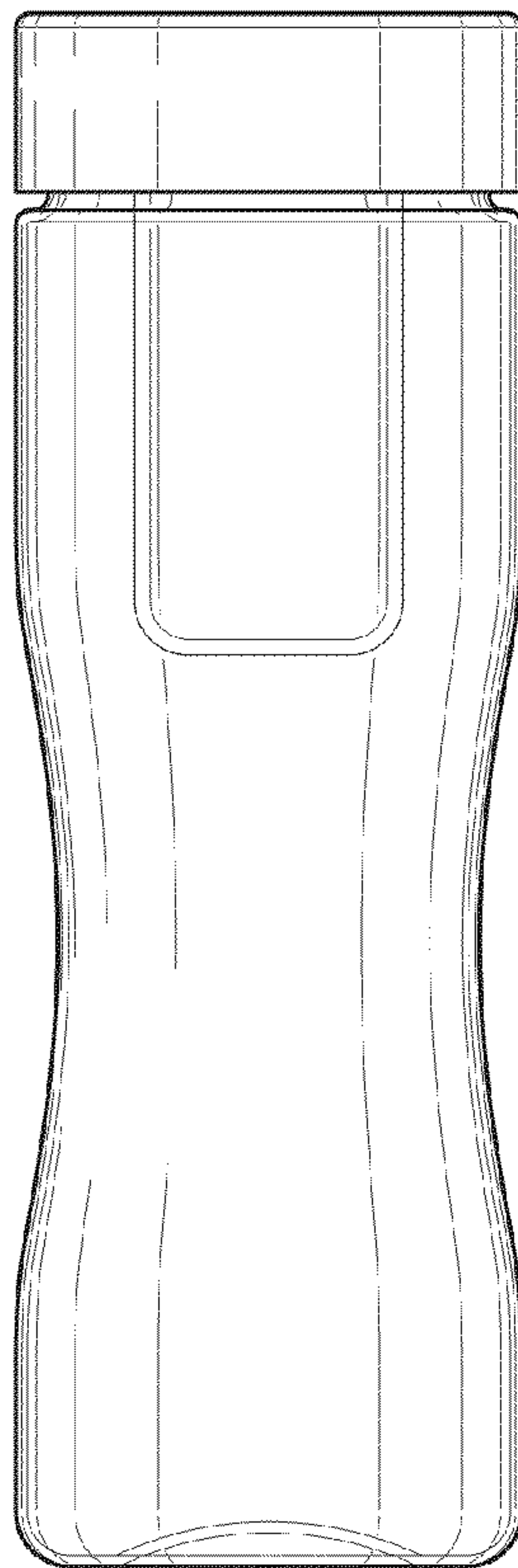


FIG. 2

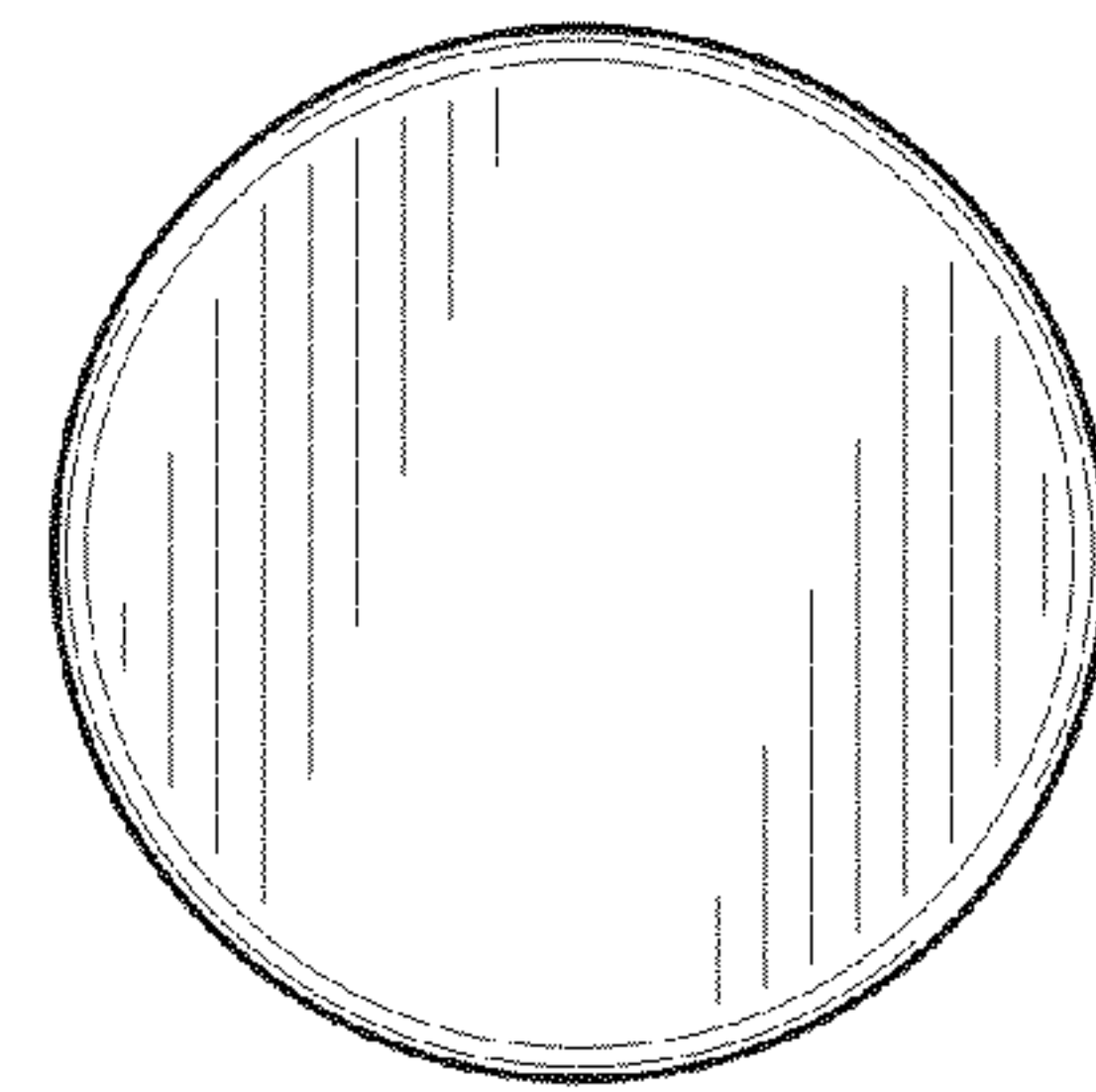


FIG. 3

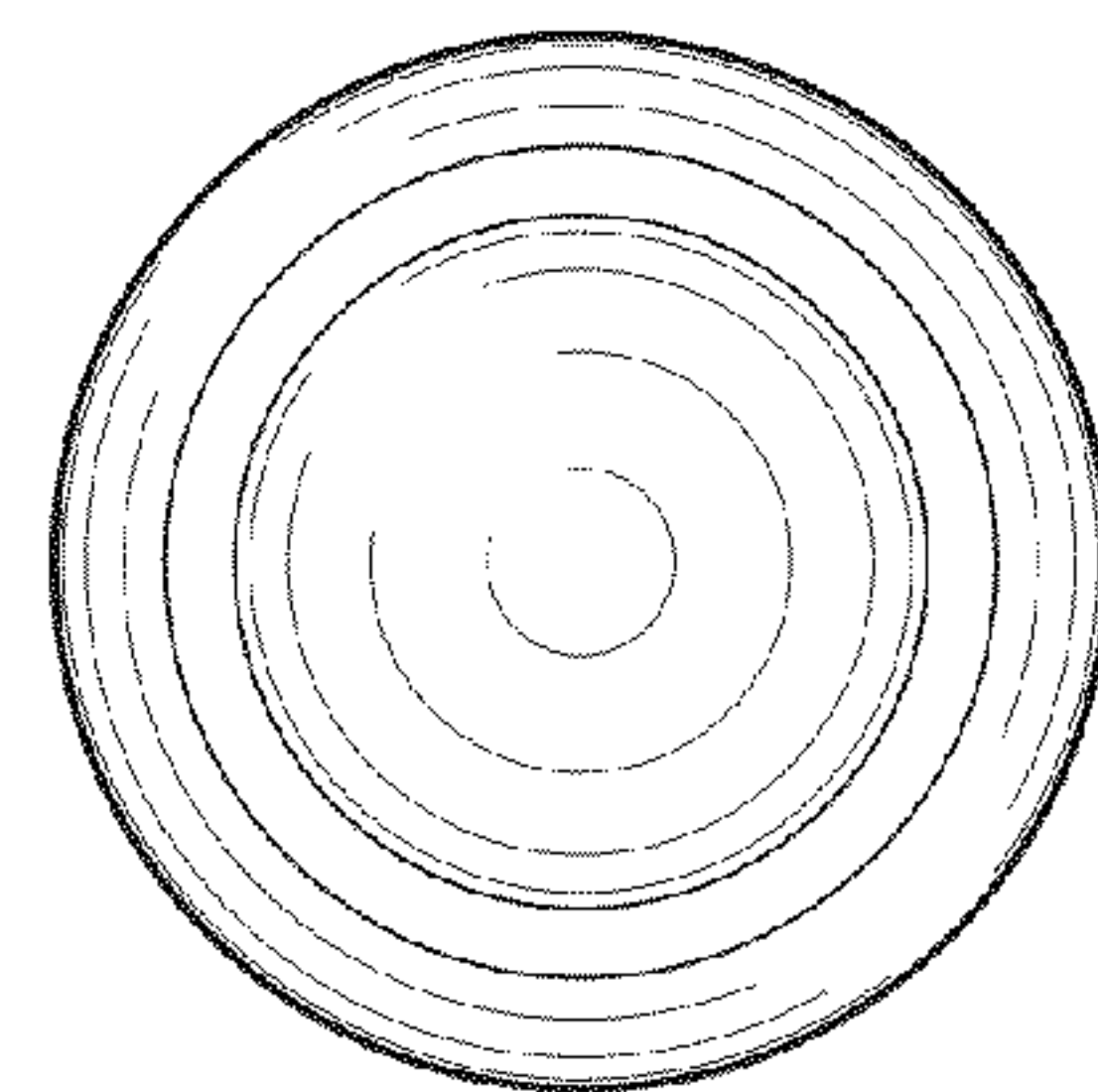


FIG. 4

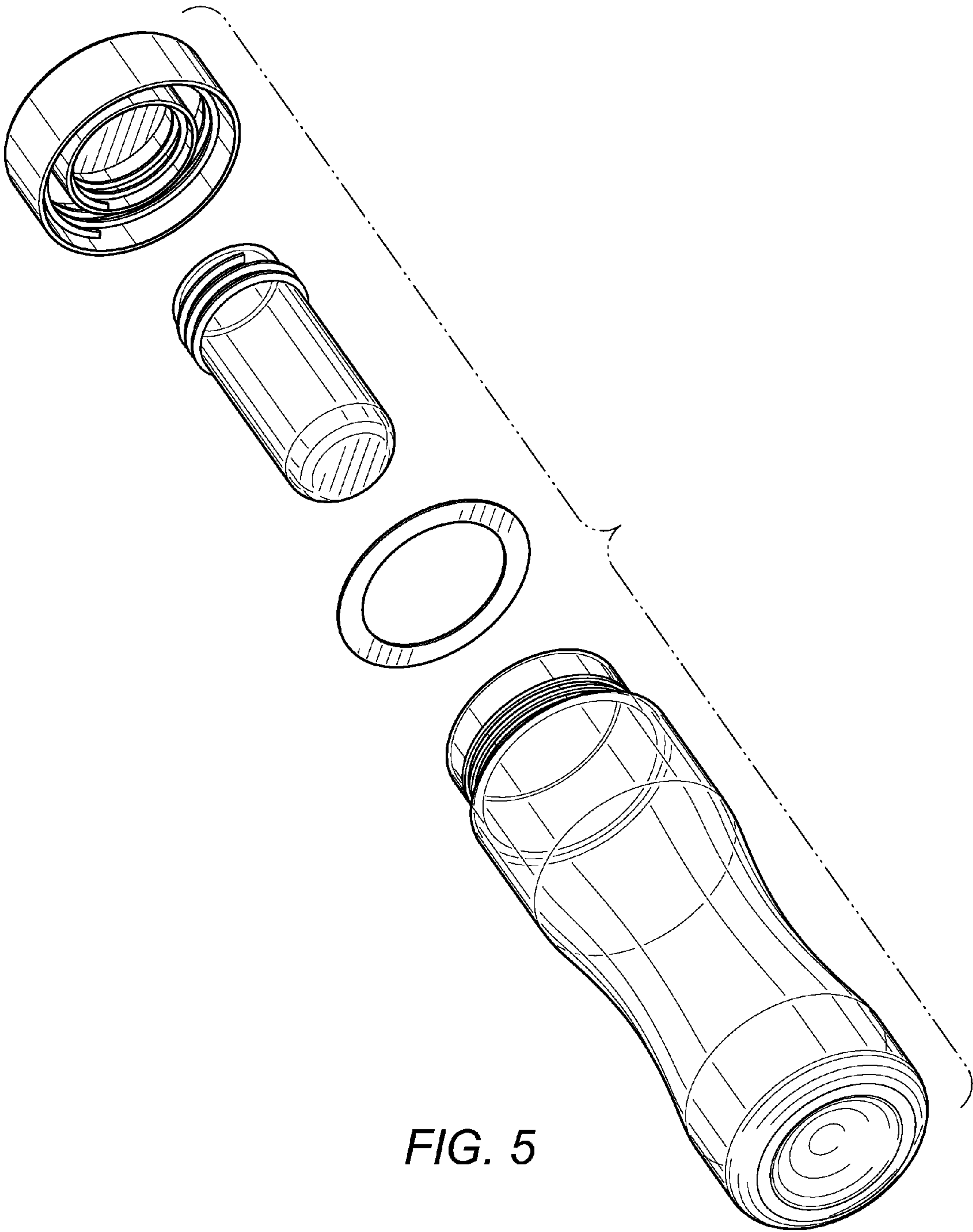


FIG. 5