



US00D690160S

(12) **United States Design Patent**
Bodum

(10) **Patent No.:** **US D690,160 S**

(45) **Date of Patent:** **** Sep. 24, 2013**

(54) **POTATO MASHER**

(75) Inventor: **Jørgen Bodum**, Meggen (CH)

(73) Assignee: **PI-Design AG**, Triengen (CH)

(**) Term: **14 Years**

(21) Appl. No.: **29/416,674**

(22) Filed: **Mar. 26, 2012**

(30) **Foreign Application Priority Data**

Sep. 29, 2011 (WO) 628316201

(51) **LOC (9) Cl.** **31-00**

(52) **U.S. Cl.**
USPC **D7/412; D7/682**

(58) **Field of Classification Search**
USPC 366/343, 129, 279, 165.3, 325.8,
366/241, 325.1, 325.2, 265, 317, 605, 330.1;
416/62; D15/147; D7/412, 379, 380, 387,
D7/368, 376, 372, 383, 384, 395, 361, 393,
D7/377, 378; D23/200; 7/110; 261/87;
D12/214, 207; 241/282.2, 169.2

See application file for complete search history.

(56) **References Cited**

U.S. PATENT DOCUMENTS

2,753,160 A * 7/1956 Gunn, Sr. 366/343
3,640,641 A * 2/1972 Fitzhugh 416/62
D341,608 S * 11/1993 Fries D15/147
D369,944 S * 5/1996 Cartellone D7/412
D431,627 S * 10/2000 Etschel et al. D23/200
6,454,455 B1 * 9/2002 Jungvig 366/129
7,866,879 B2 * 1/2011 Moschetti 366/129
D644,479 S * 9/2011 Lownds et al. D7/379
D656,359 S * 3/2012 Stein D7/379

D668,099 S * 10/2012 Ferraby D7/380
2008/0043569 A1 * 2/2008 Moschetti 366/279
2008/0080304 A1 * 4/2008 Sakamoto et al. 366/165.3

FOREIGN PATENT DOCUMENTS

CN 201578105 U 9/2010
EP 1 182 954 B1 10/2005
GB 1050352 12/1966
GB 2456538 A 7/2009
WO DM/072 272 9/2009
WO 2010/122285 A2 10/2010

OTHER PUBLICATIONS

Bodum-catalogue 2010, p. 152 (including images showing an enlarged version of the blender stick).

* cited by examiner

Primary Examiner — Ian Simmons

Assistant Examiner — Eleni H Aldridge

(74) *Attorney, Agent, or Firm* — Sughrue Mion, PLLC

(57) **CLAIM**

The ornamental design for a potato masher, as shown and described.

DESCRIPTION

FIG. 1 is a perspective view of a potato masher showing my new design;

FIG. 2 is a front side view thereof;

FIG. 3 is a back side view thereof;

FIG. 4 is a right side view thereof;

FIG. 5 is a left side view thereof;

FIG. 6 is a top plan view thereof; and,

FIG. 7 is a bottom plan view thereof.

The broken lines depict environmental subject matter only and form no part of the claimed design.

1 Claim, 7 Drawing Sheets

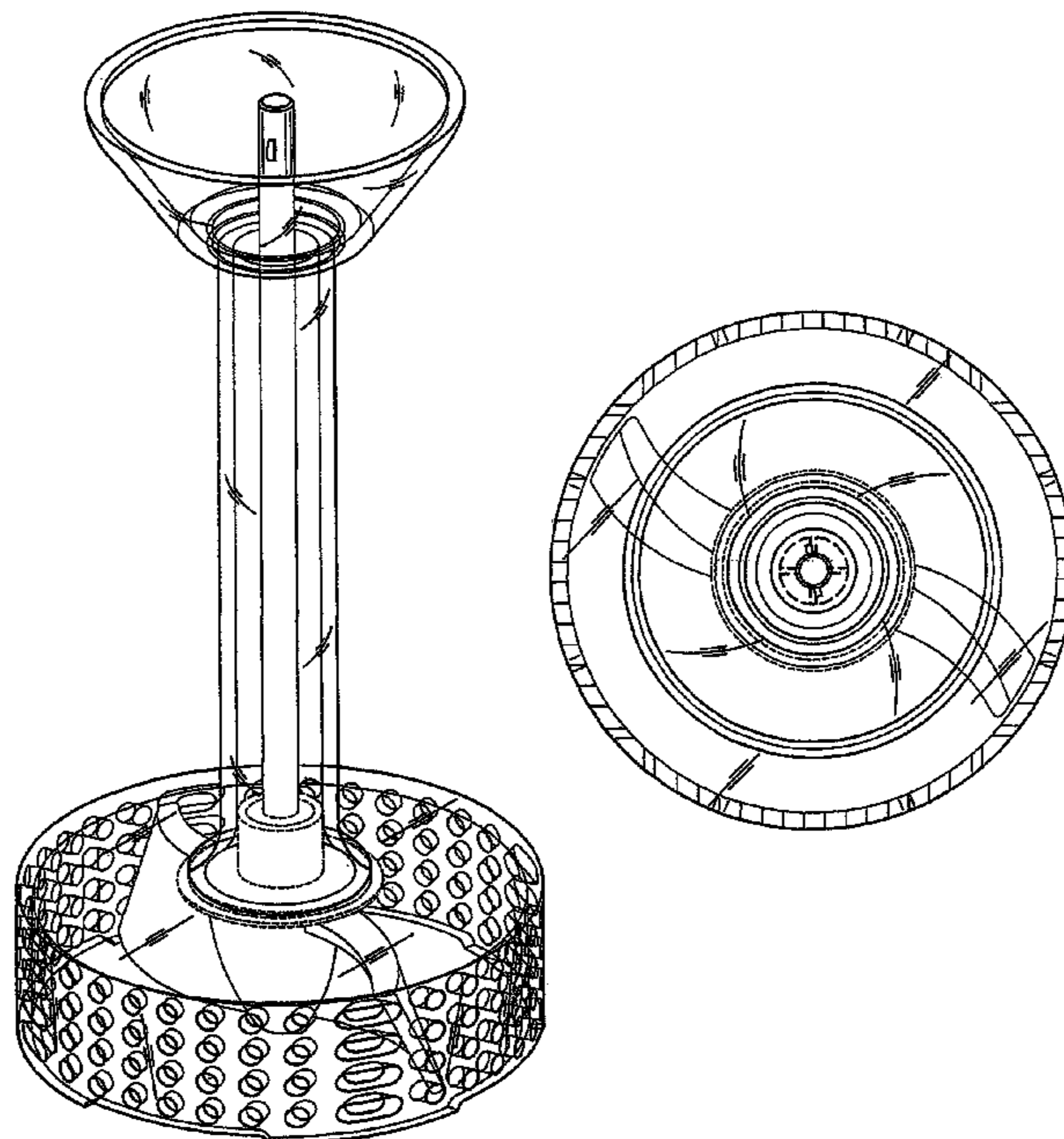


FIG. 1

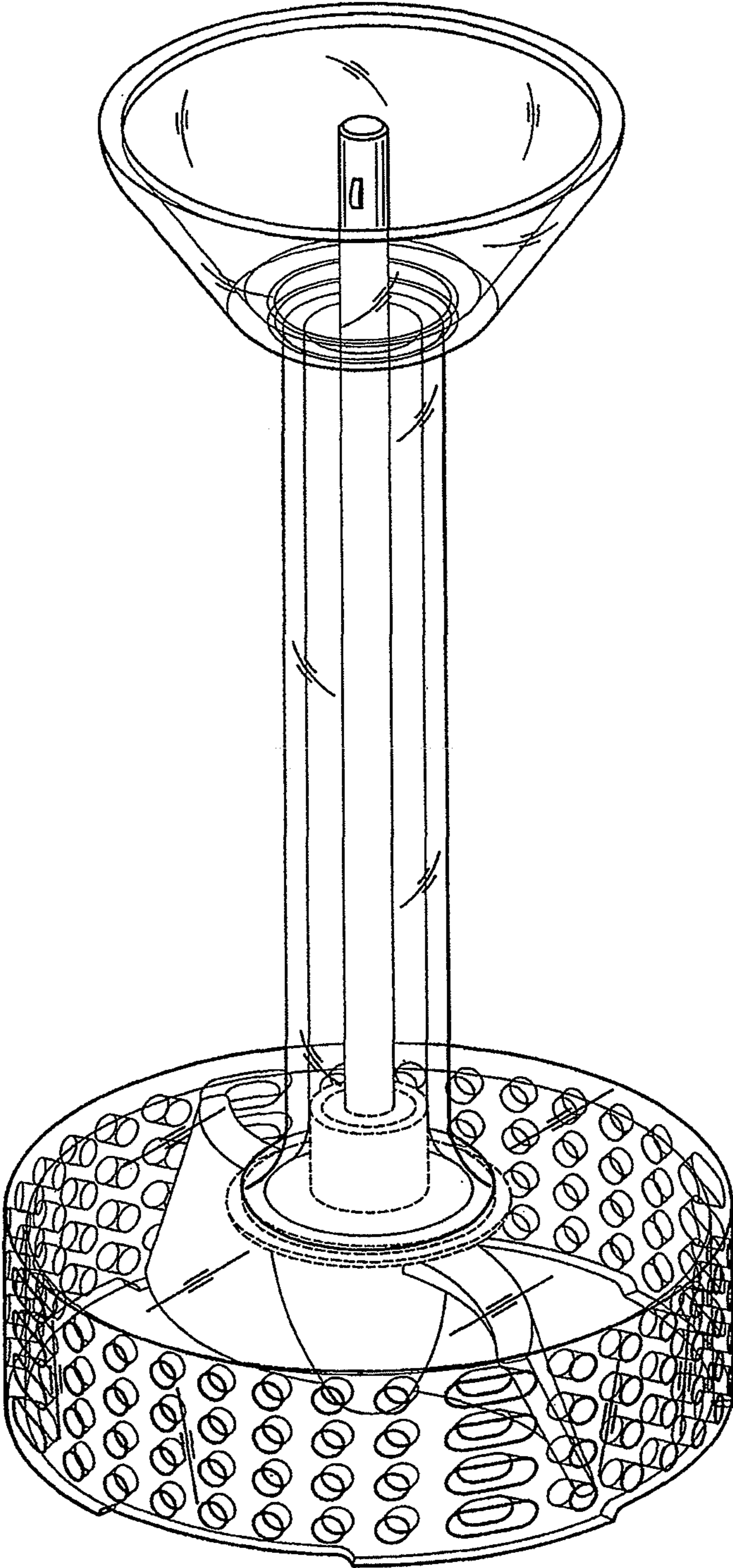


FIG. 2

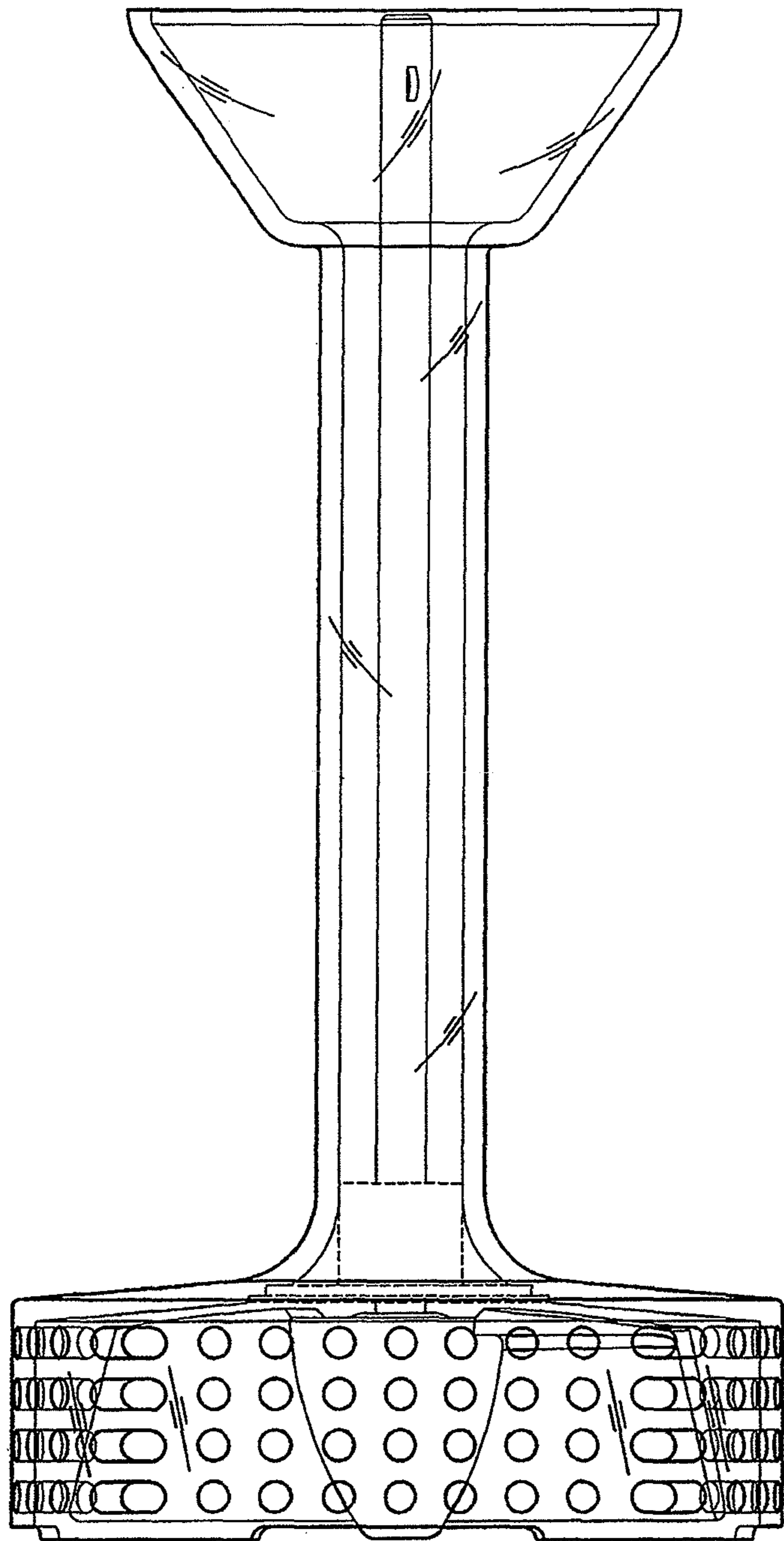


FIG. 3

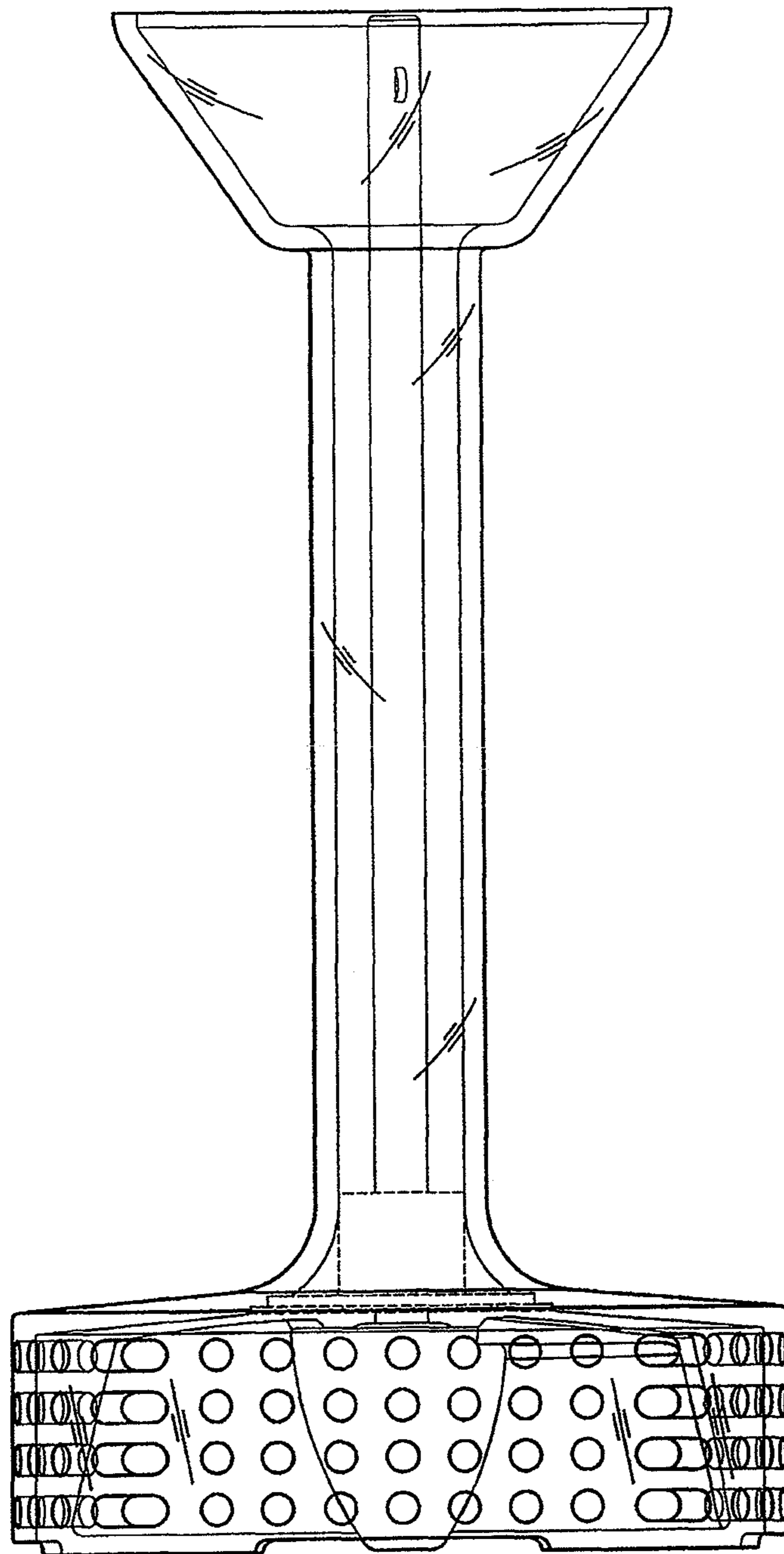


FIG. 4

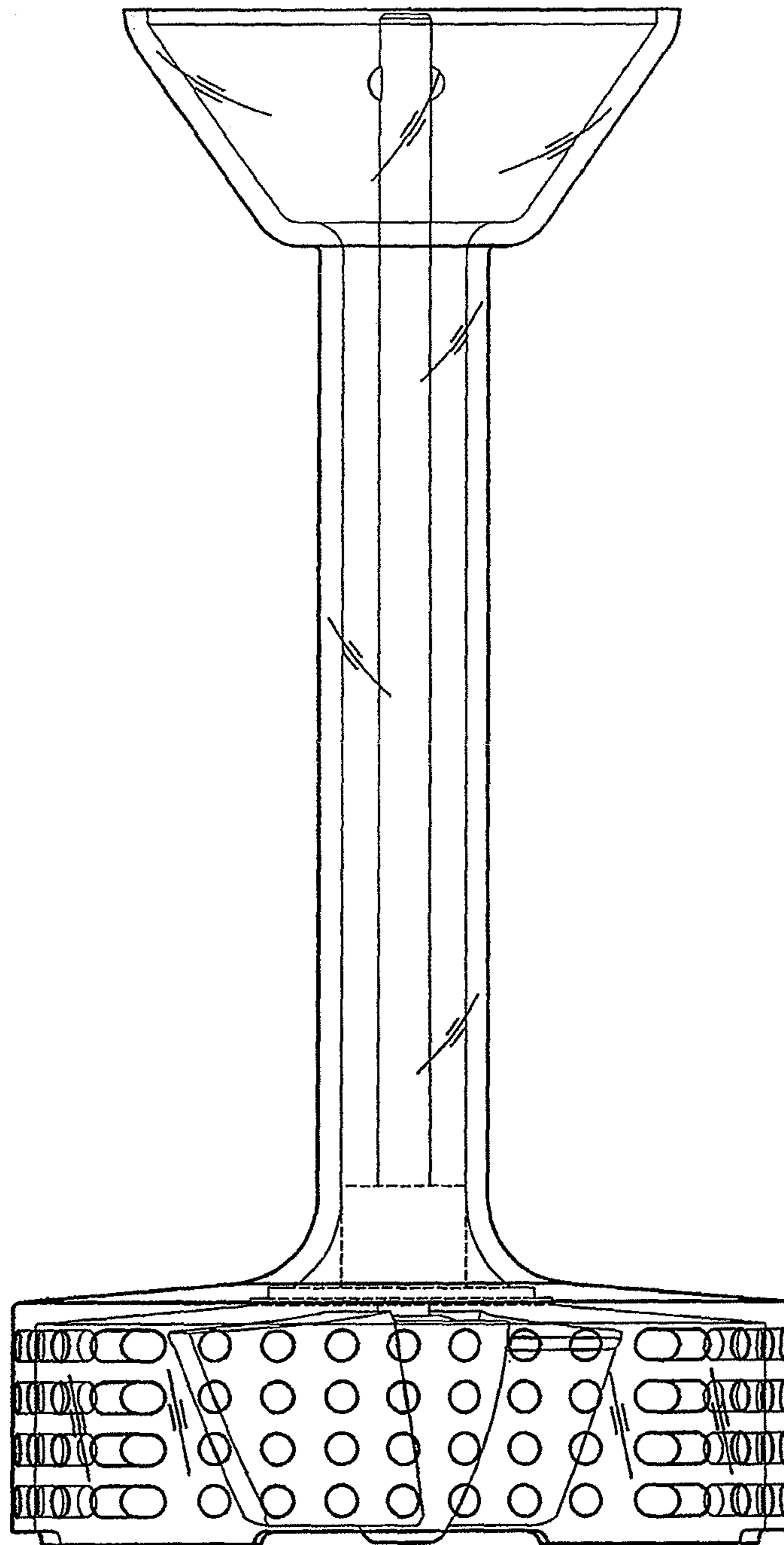


FIG. 5

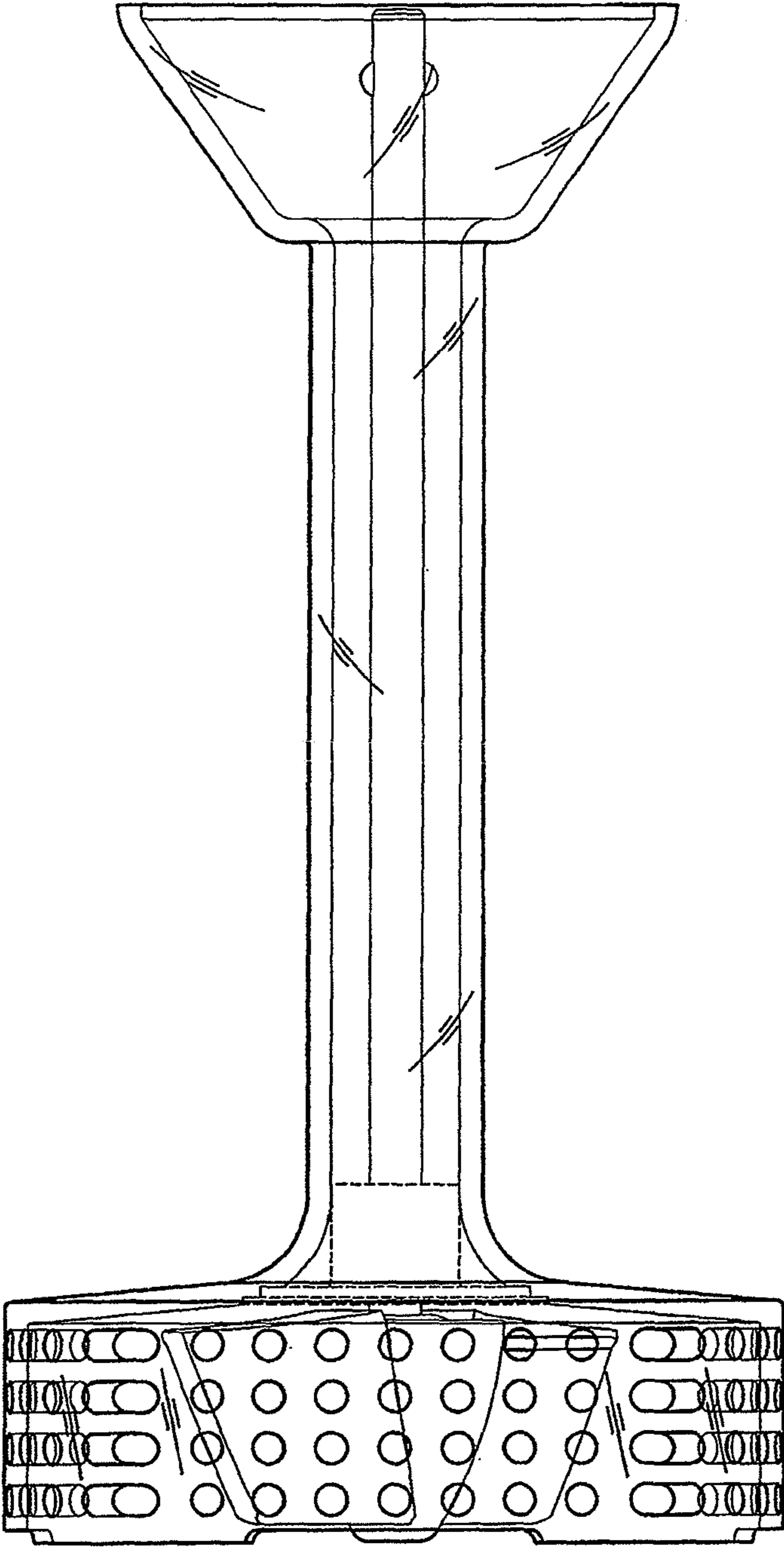


FIG. 6

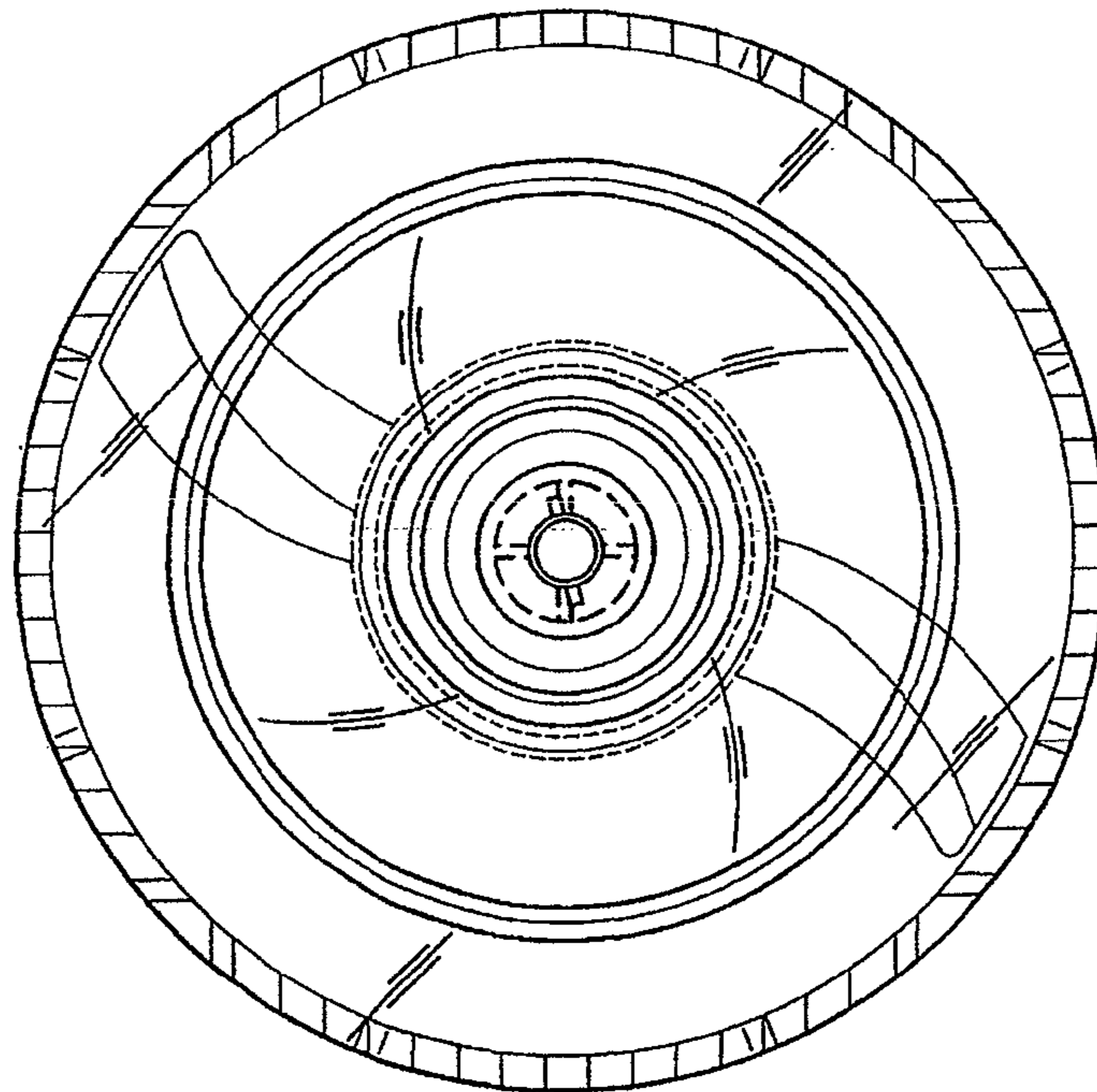


FIG. 7

