



US00D690159S

(12) **United States Design Patent**
Gursel et al.

(10) **Patent No.:** **US D690,159 S**

(45) **Date of Patent:** **** Sep. 24, 2013**

(54) **BLADES**

(75) Inventors: **Emre Gursel**, Istanbul (TR); **Metegursel**, Istanbul (TR); **Daniel Stephen Potter**, Dracut, MA (US)

(73) Assignee: **Euro-Pro Operating LLC**, Newton, MA (US)

(**) Term: **14 Years**

(21) Appl. No.: **29/398,899**

(22) Filed: **Aug. 5, 2011**

(51) **LOC (9) Cl.** **07-02**

(52) **U.S. Cl.**

USPC **D7/412**; D7/376; D7/378

(58) **Field of Classification Search**

USPC D7/301-313, 316-319, 356-357, D7/368, 372-386, 391-398, 412-415, 503, D7/515, 665, 679, 691-693, 706; 99/275, 99/287, 326, 348, 492, 508-512; 241/30-37.5, 241/46.17, 82.4, 100, 101.01-101.2, 166-169.1, 241/172, 272, 285.1-285.3, 291, 292.1; 366/64-67, 97-100, 129-130, 142-144, 366/192-212, 241-254, 262, 279-292, 309-313, 366/325.8, 325.92, 331, 341-347; 416/75-77, 416/70 R, 163, 227 R

See application file for complete search history.

(56) **References Cited**

U.S. PATENT DOCUMENTS

D24,545 S	8/1895	Hensel	
2,771,111 A *	11/1956	Seyfried	241/292.1
3,738,583 A *	6/1973	Berland et al.	241/46.17
4,087,053 A *	5/1978	Voglesonger	241/282.1
5,487,511 A	1/1996	Sansone et al.	
5,567,049 A *	10/1996	Beaudet et al.	366/206
5,584,577 A *	12/1996	Thies	366/205
5,823,672 A *	10/1998	Barker	366/205

6,092,922 A	7/2000	Kett et al.	
D433,282 S	11/2000	Bohannon, Jr. et al.	
6,550,703 B2 *	4/2003	Williams et al.	241/100
6,666,574 B1	12/2003	Pryor	
D488,347 S	4/2004	Boozer et al.	
6,834,818 B2 *	12/2004	Lee	241/292.1
D502,185 S	2/2005	Byrne	
6,974,099 B2	12/2005	Kolar et al.	
D513,685 S	1/2006	Katz et al.	
D524,827 S	7/2006	Byrne	
D528,859 S	9/2006	Boozer et al.	
D549,043 S *	8/2007	Beesley et al.	D7/378
D597,372 S *	8/2009	Nordwall et al.	D7/378
7,641,380 B2	1/2010	Behar et al.	
D624,359 S *	9/2010	Schleinker	D7/412

(Continued)

FOREIGN PATENT DOCUMENTS

CN	201578095 U	9/2010
EP	1 969 980 A1	9/2008
WO	2008/101148 A1	8/2008

Primary Examiner — Ricky Pham

(74) *Attorney, Agent, or Firm* — Wolf, Greenfield & Sacks, P.C.

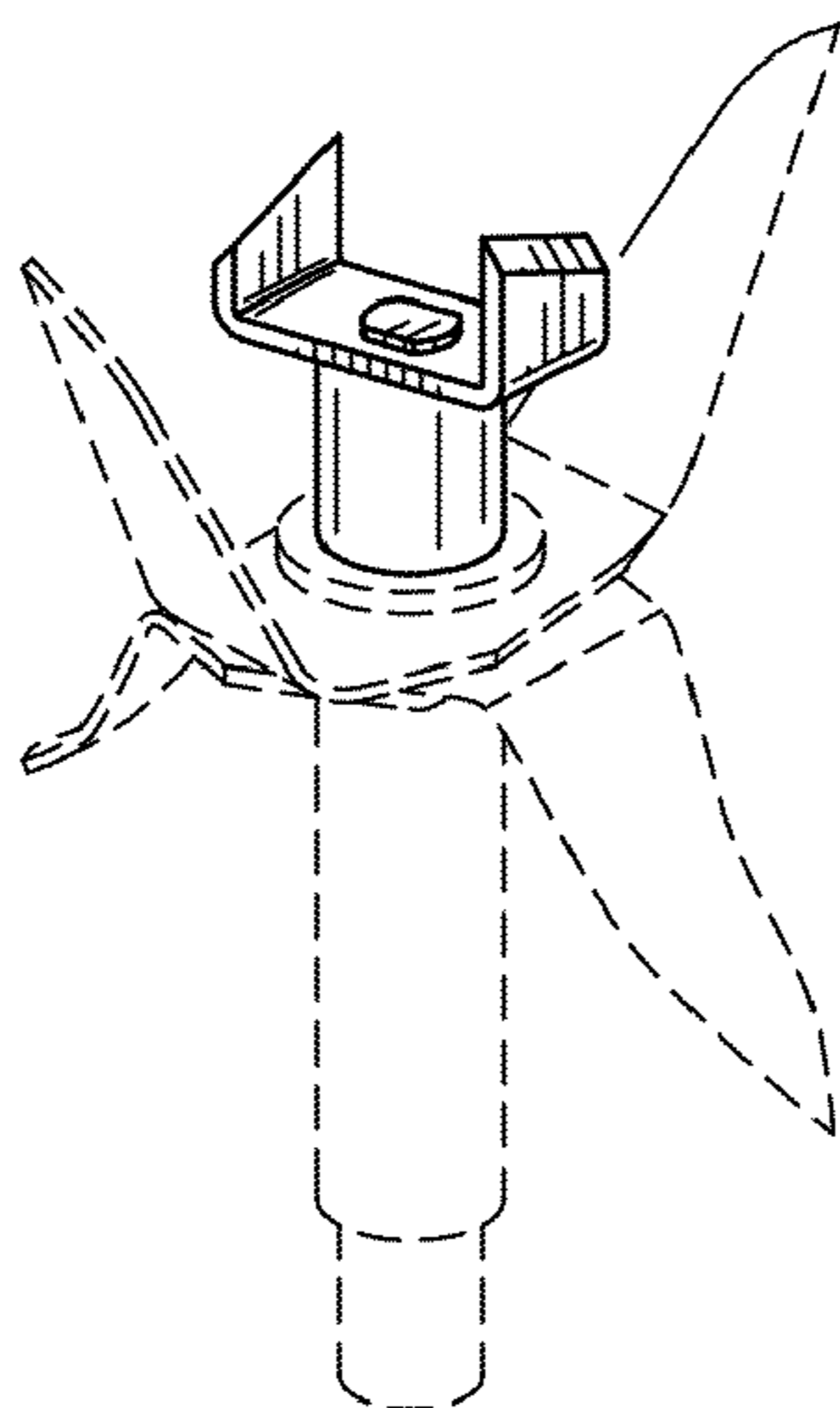
(57) **CLAIM**

The ornamental design for the blades, as shown and described.

DESCRIPTION

FIG. 1 is a top, front, right side perspective view of the blades; FIG. 2 is a front elevational view thereof; FIG. 3 is a rear elevational view thereof; FIG. 4 is a right side elevational view thereof; FIG. 5 is a left side elevational view thereof; FIG. 6 is a top plan view thereof; and, FIG. 7 is a bottom plan view thereof. The details shown in broken lines are for illustrative purposes only and form no part of the claimed design.

1 Claim, 2 Drawing Sheets



US D690,159 S

Page 2

(56)

References Cited

U.S. PATENT DOCUMENTS

2005/0099884 A1* 5/2005 Lee 366/205
2007/0076523 A1 4/2007 Yerian

2007/0291583 A1 12/2007 Baschnagel
2008/0198691 A1* 8/2008 Behar et al. 366/205
2009/0260236 A1 10/2009 Lin
2010/0246320 A1 9/2010 Sands

* cited by examiner

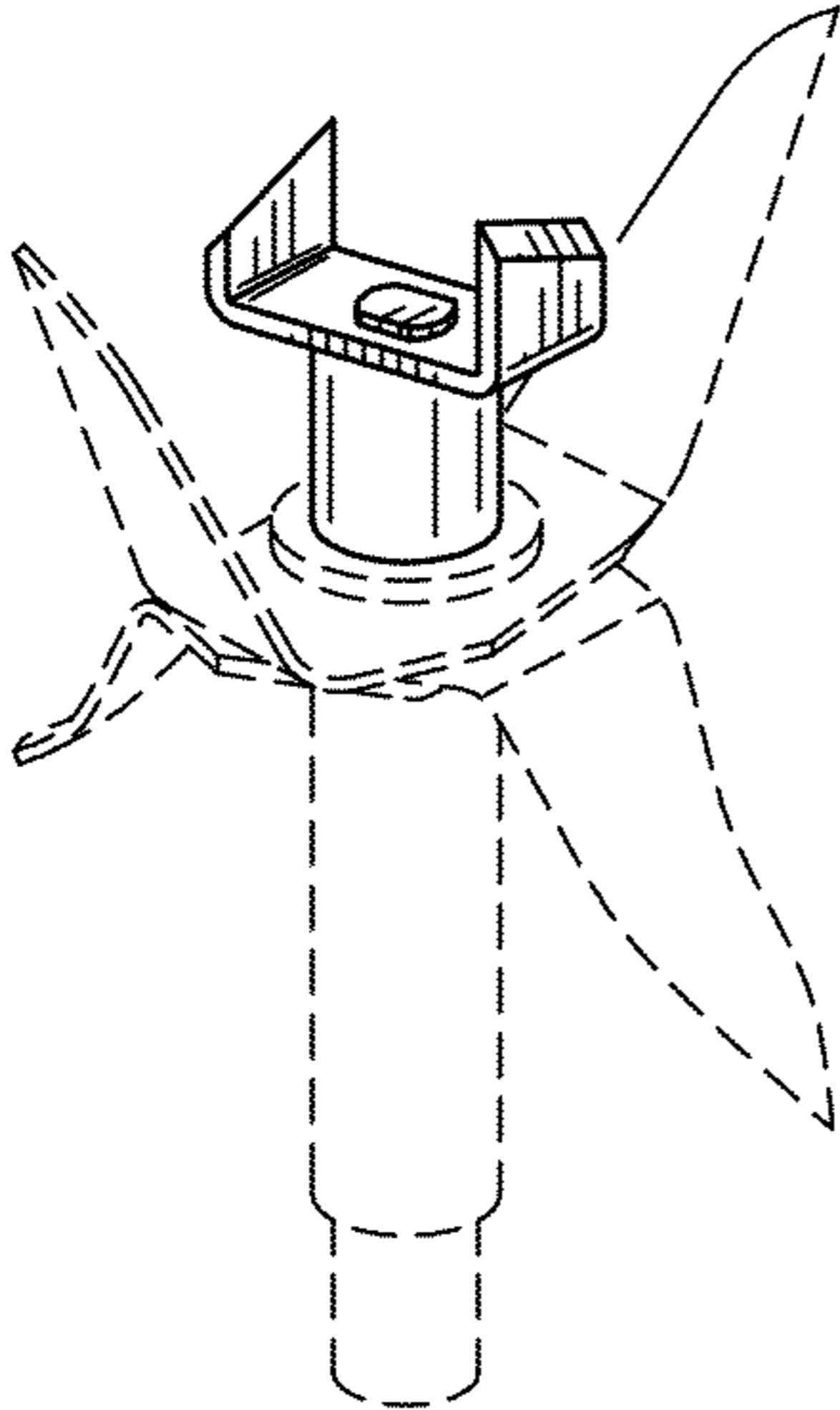


FIG. 1

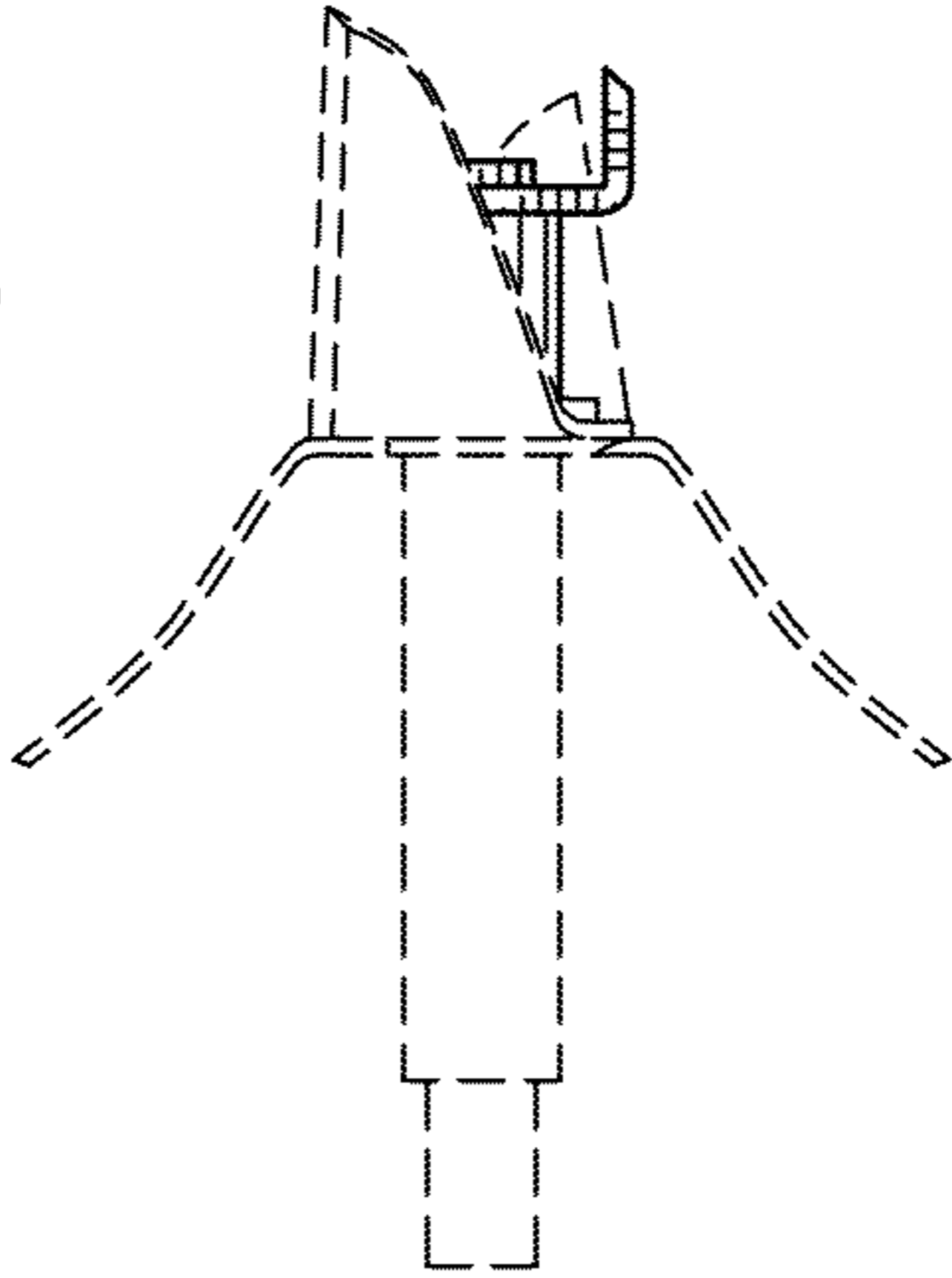


FIG. 2

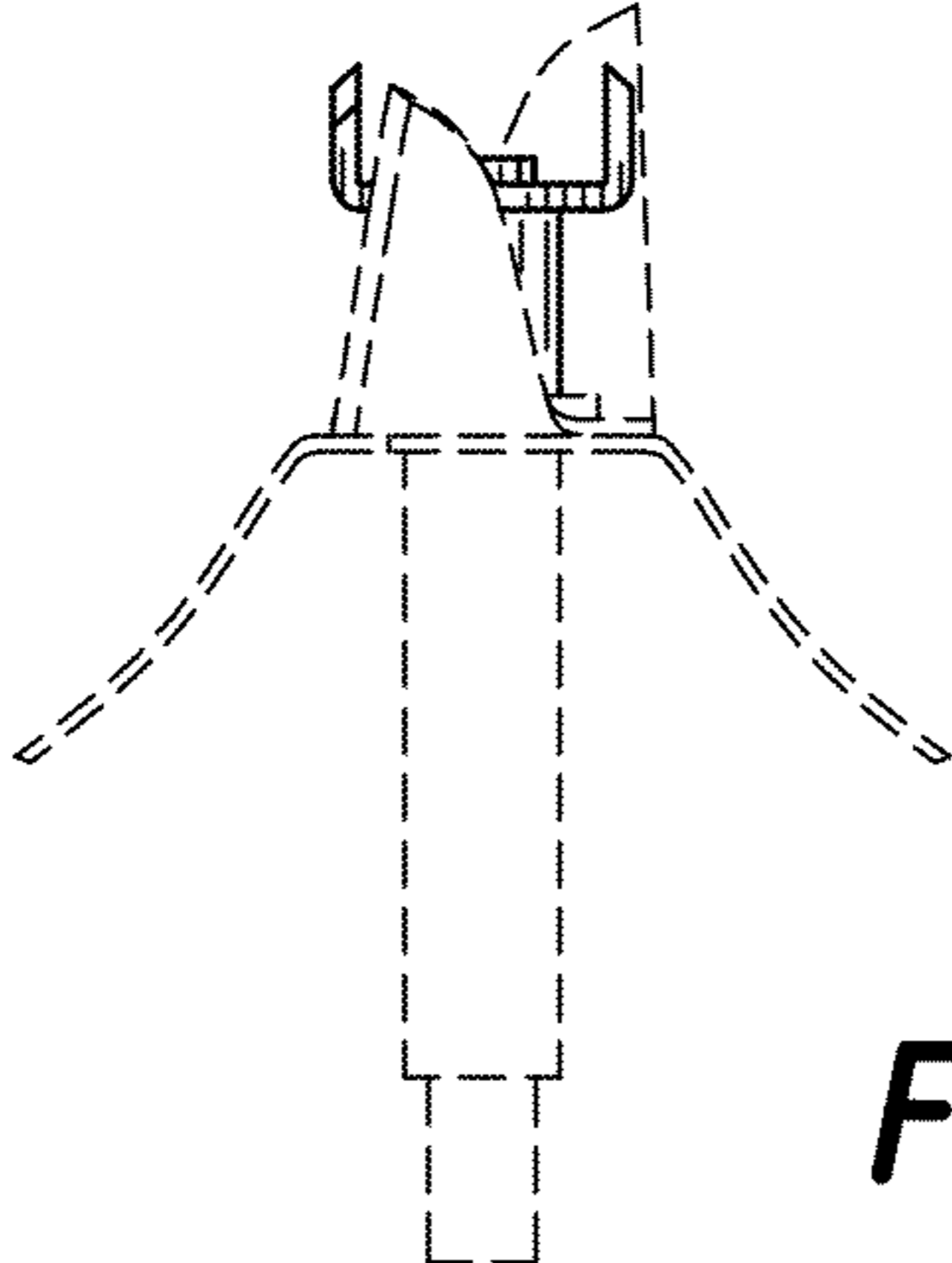


FIG. 3

FIG. 4

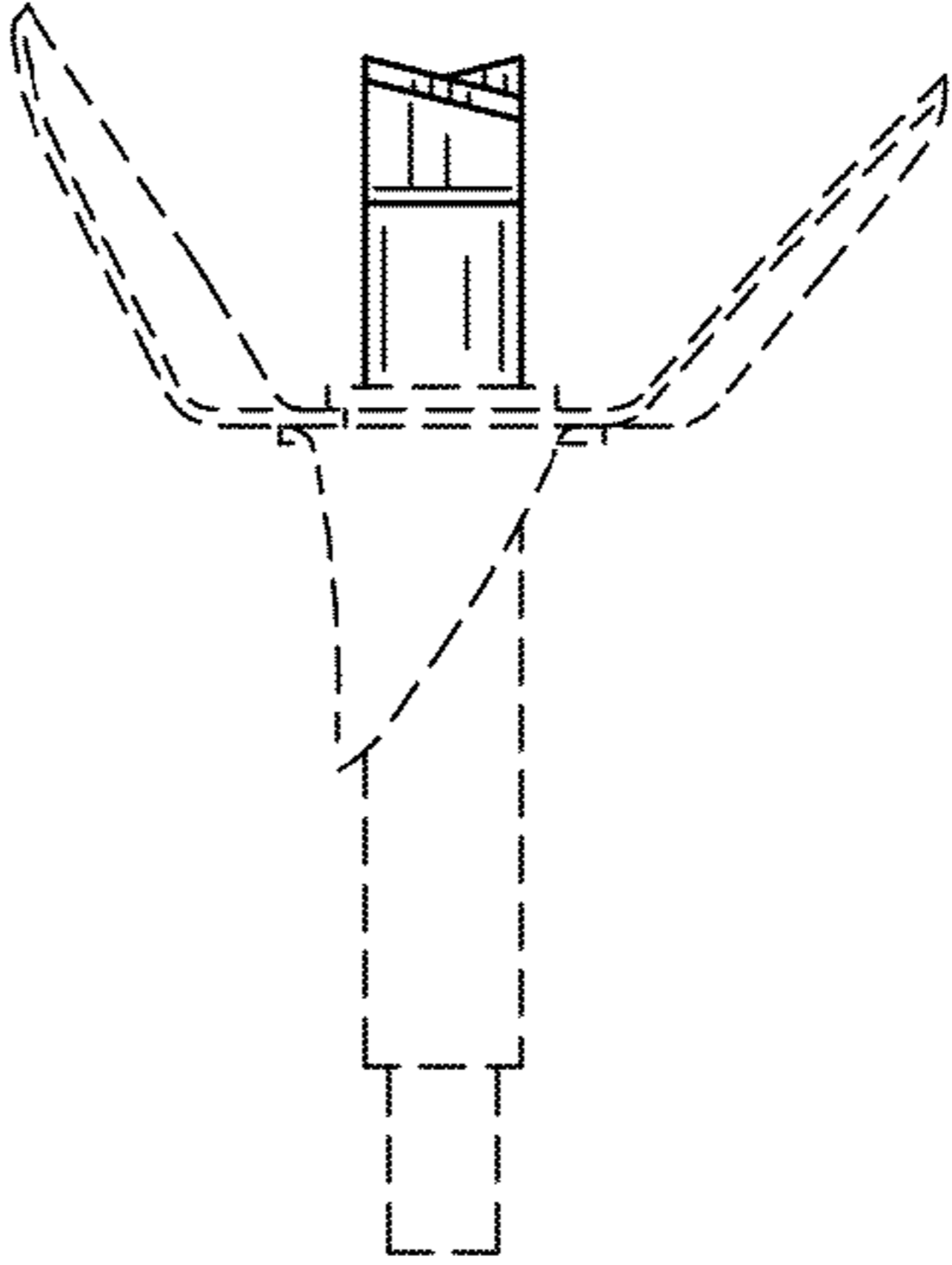


FIG. 5

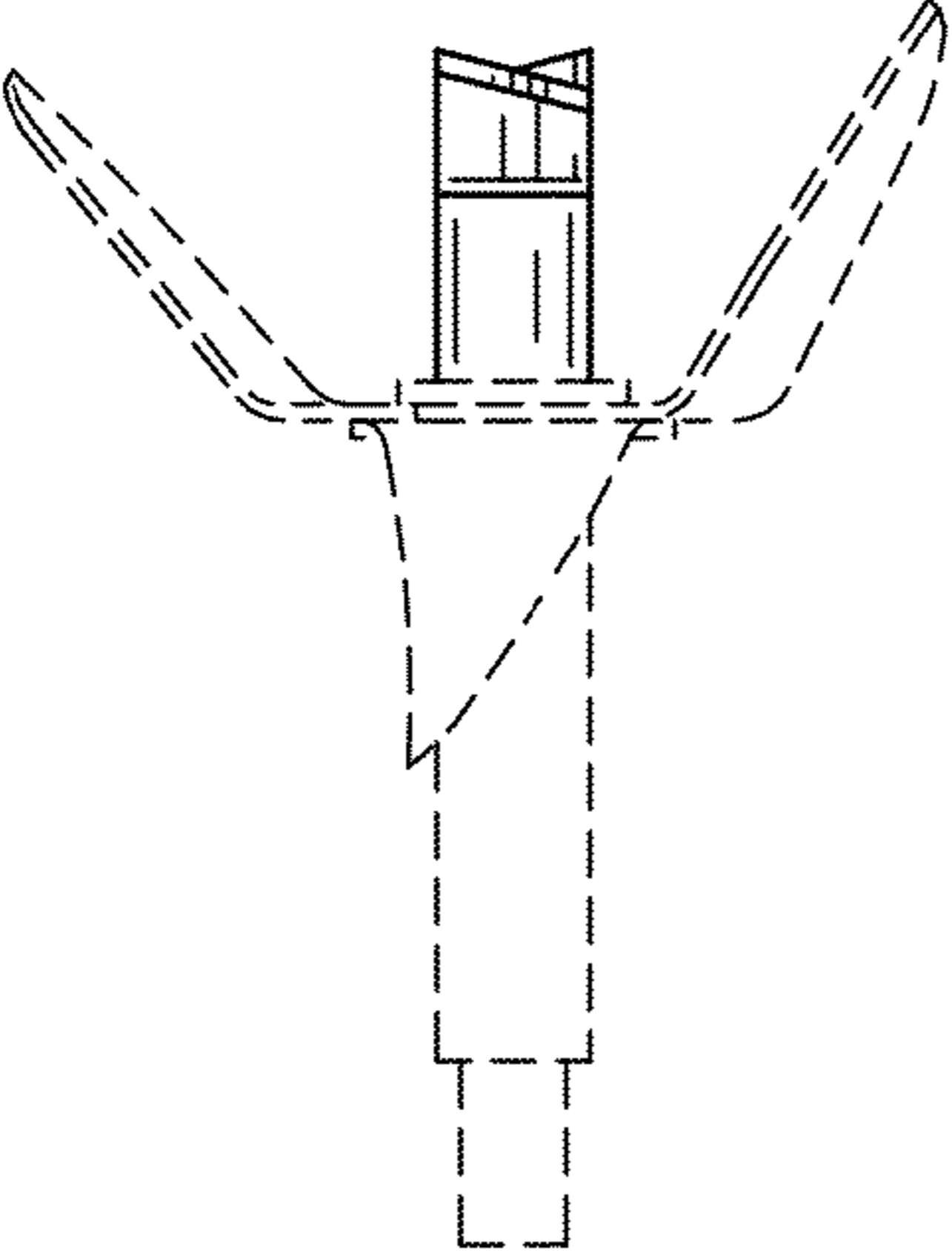


FIG. 6

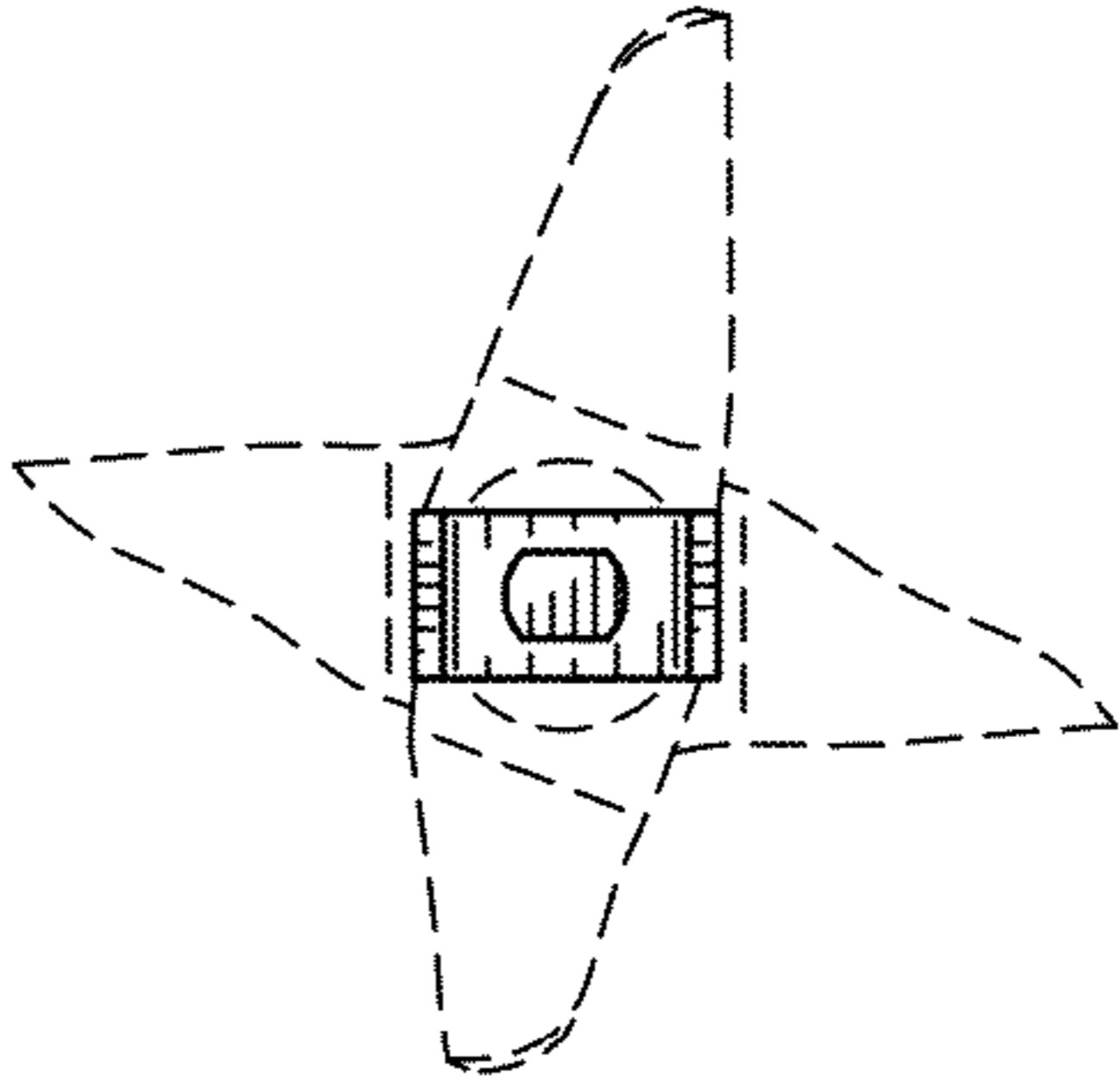


FIG. 7

