



US00D690153S

(12) **United States Design Patent**
Zemel

(10) **Patent No.:** **US D690,153 S**

(45) **Date of Patent:** **** Sep. 24, 2013**

- (54) **UTENSIL HANDLE**
- (75) Inventor: **Marc Zemel**, Melville, NY (US)
- (73) Assignee: **Ferrellgas Real Estate, Inc.**, Liberty, MO (US)
- (**) Term: **14 Years**
- (21) Appl. No.: **29/396,910**
- (22) Filed: **Jul. 8, 2011**
- (51) **LOC (9) Cl.** **07-02**
- (52) **U.S. Cl.**
USPC **D7/395**
- (58) **Field of Classification Search**
USPC D7/354-361, 393-395, 401.2, 664, D7/688, 691, 692, 693; D8/107, 300, 303, D8/307, 313, 321; D4/138, 129; 16/421, 16/430, 431, 110.1, 407; 220/573.1-573.5, 220/752, 753, 755, 756, 759, 767, 771, 912
See application file for complete search history.

D520,296 S *	5/2006	Brownell	D7/395
D528,857 S	9/2006	Zemel		
D529,333 S	10/2006	Zemel		
D529,335 S	10/2006	Zemel		
D531,853 S	11/2006	Zemel		
D533,397 S	12/2006	Zemel		
D534,001 S	12/2006	Zemel		
D535,147 S	1/2007	Zemel		
D535,519 S	1/2007	Zemel		
D544,750 S	6/2007	Zemel		
D545,120 S	6/2007	Zemel		
D545,121 S	6/2007	Zemel		
D550,504 S	9/2007	Zemel		
D562,062 S	2/2008	Zemel		
D562,064 S	2/2008	Zemel		
D563,675 S	3/2008	Zemel		
D564,292 S	3/2008	Zemel		
D566,460 S	4/2008	Zemel		
D569,174 S	5/2008	Zemel		

(Continued)

Primary Examiner — Cynthia M Chin

(74) *Attorney, Agent, or Firm* — Carter, DeLuca, Farrell & Schmidt LLP

(57) **CLAIM**

The ornamental design for a utensil handle, as shown and described.

DESCRIPTION

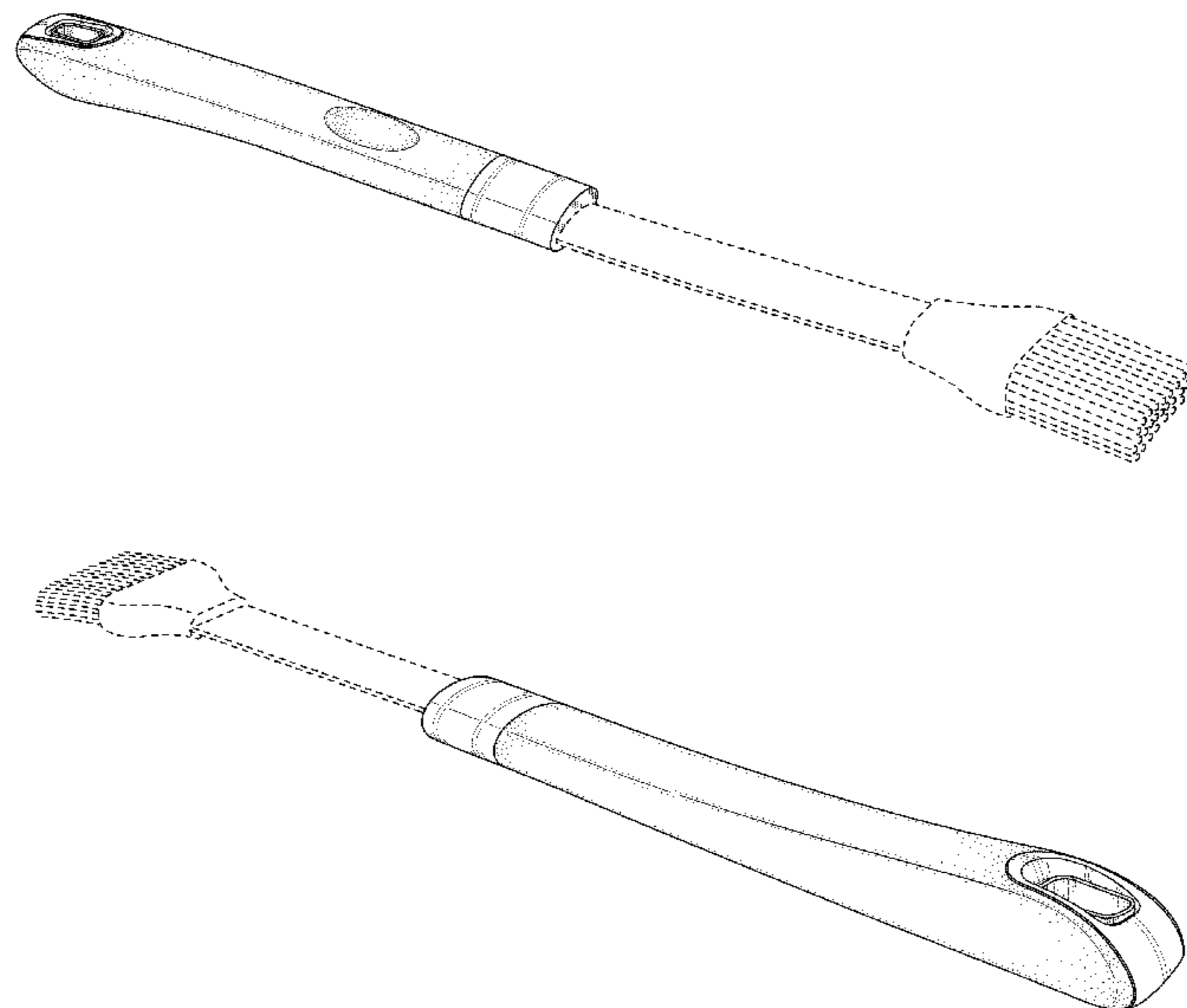
FIG. 1 is a front side perspective view of a utensil handle in accordance with the present design;
 FIG. 2 is a rear side perspective view thereof;
 FIG. 3 is a top plan view thereof;
 FIG. 4 is a bottom view thereof;
 FIG. 5 is a right side elevational view thereof; the other side being a mirror image thereof; and,
 FIG. 6 is a rear elevational view thereof.
 The broken lines shown are included for the purpose of illustrating a portion of the utensil handle that forms no part of the claimed design.

1 Claim, 4 Drawing Sheets

(56) **References Cited**

U.S. PATENT DOCUMENTS

D427,858 S	7/2000	Zemel		
D448,973 S *	10/2001	Hay et al.	D7/395
D456,207 S	4/2002	Zemel		
D456,615 S	5/2002	Zemel		
D463,952 S	10/2002	Zemel		
D465,336 S	11/2002	Zemel		
D474,644 S	5/2003	Zemel		
D476,525 S	7/2003	Zemel		
D482,556 S	11/2003	Huang		
D482,566 S	11/2003	Zemel		
D482,569 S	11/2003	Zemel		
D494,006 S	8/2004	Zemel		
D494,008 S *	8/2004	Prommel et al.	D7/395
D494,807 S	8/2004	Zemel		
D496,558 S	9/2004	Zemel		
D512,602 S *	12/2005	Spagnolo	D7/395



(56)

References Cited

U.S. PATENT DOCUMENTS

D572,079 S * 7/2008 Zemel D7/395
D572,080 S 7/2008 Zemel
D574,184 S 8/2008 Zemel
D579,269 S 10/2008 Zemel

D579,668 S 11/2008 Zemel
D580,659 S 11/2008 Zemel
D588,868 S 3/2009 Zemel
D618,499 S 6/2010 Zemel
D622,542 S 8/2010 Zemel

* cited by examiner

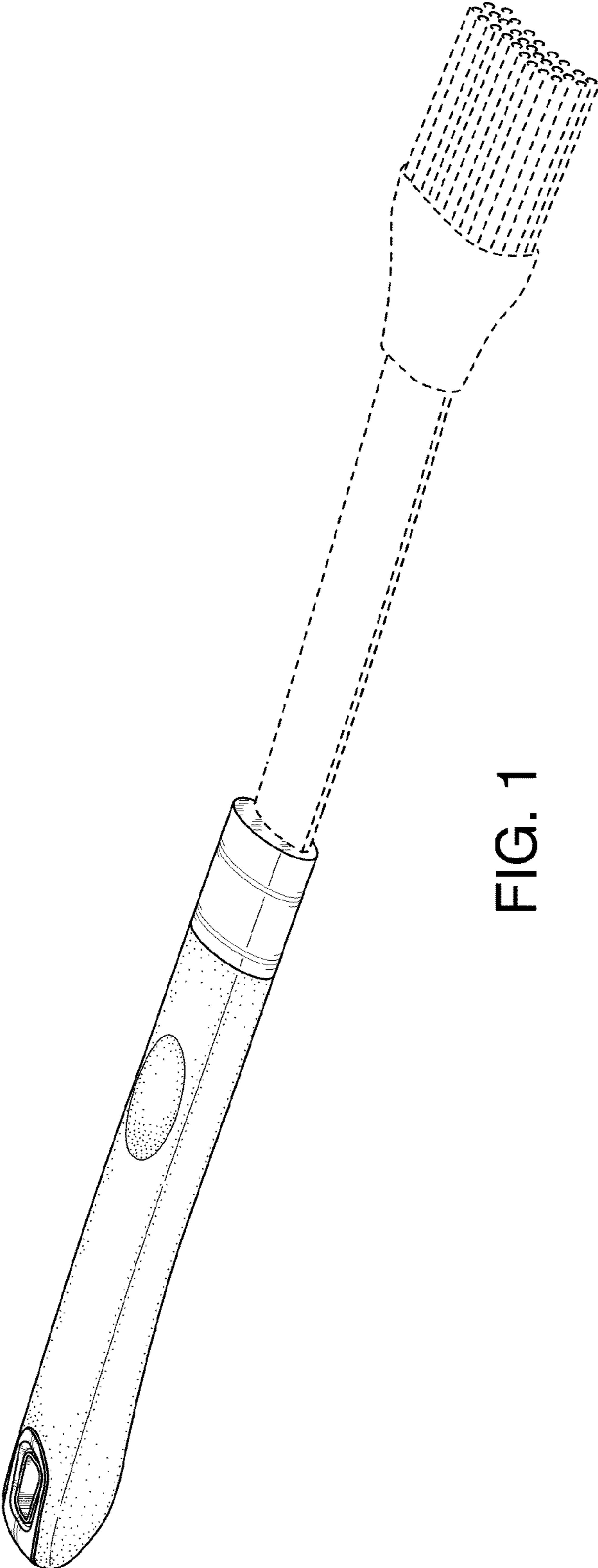


FIG. 1

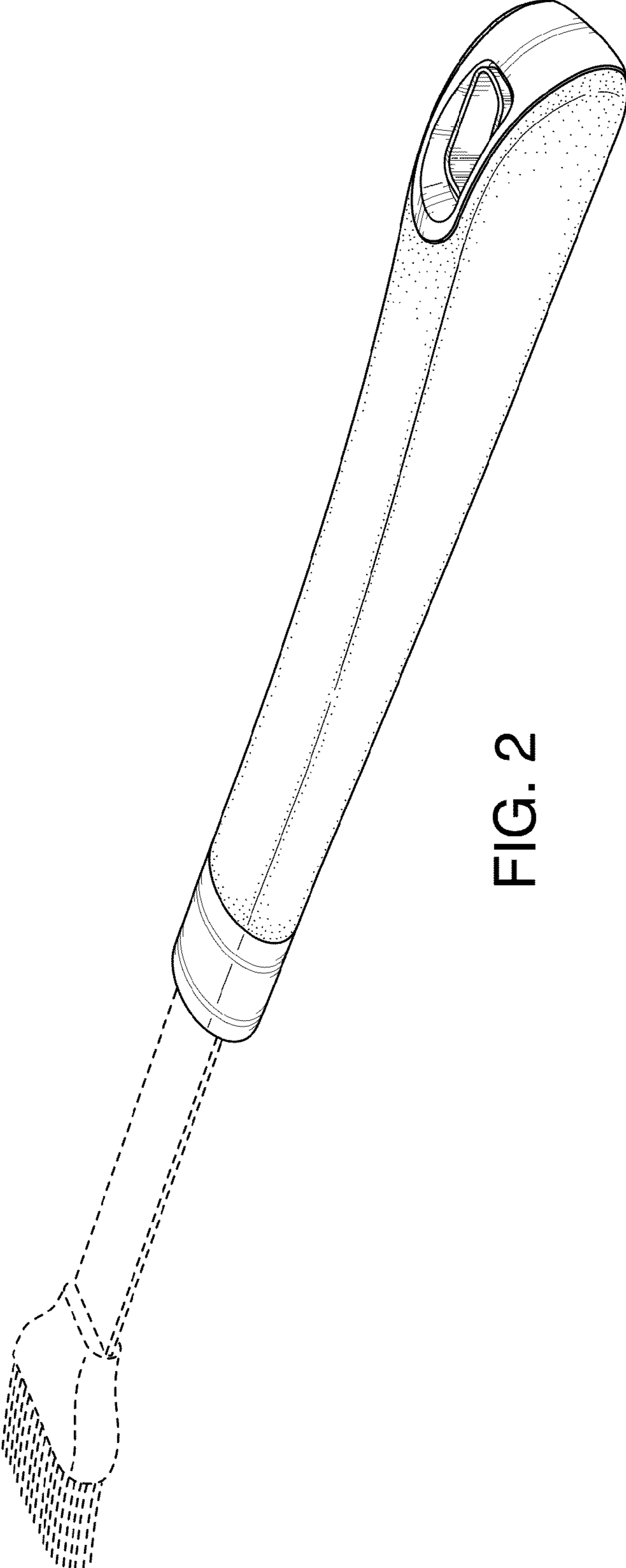


FIG. 2

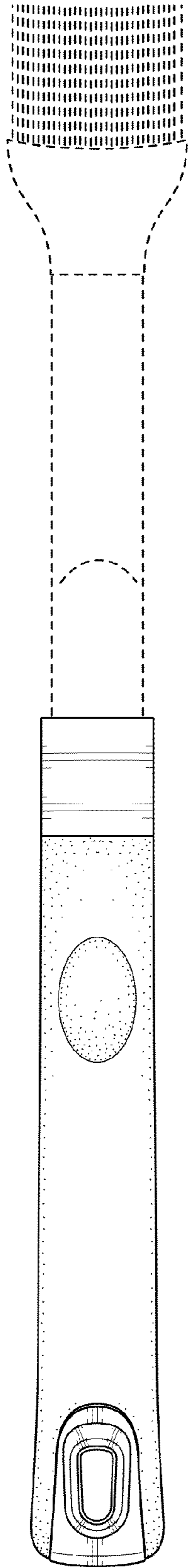


FIG. 3

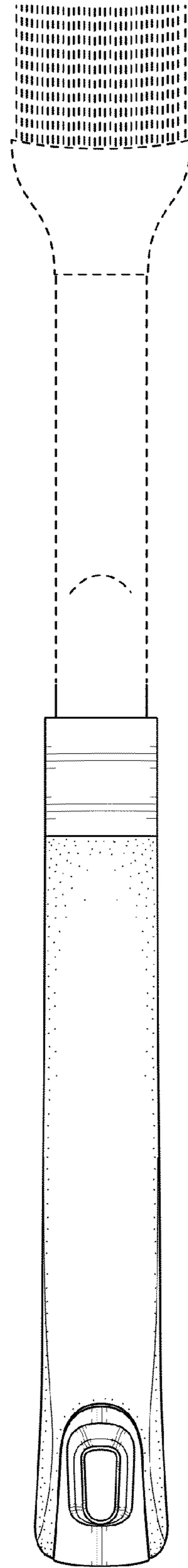


FIG. 4

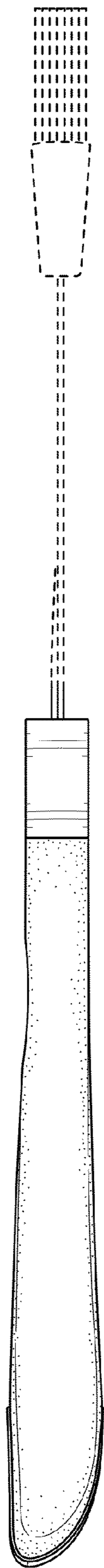


FIG. 5

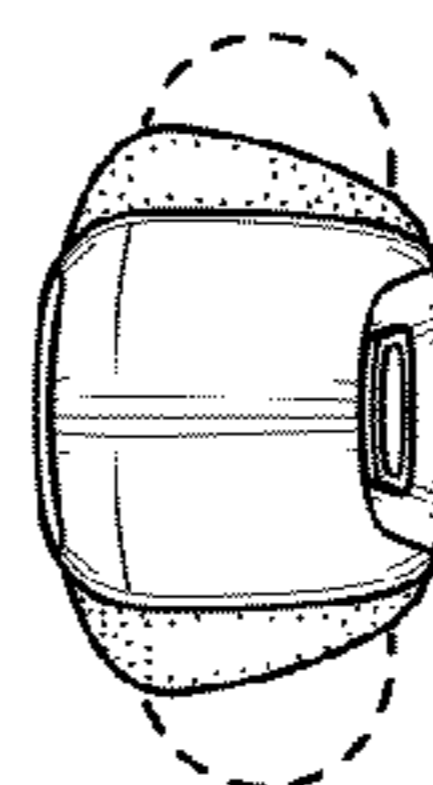


FIG. 6