

US00D690152S

(12) **United States Design Patent**
Palermo et al.

(10) **Patent No.:** **US D690,152 S**
(45) **Date of Patent:** **** Sep. 24, 2013**

(54) **APPLIANCE BASE**

(75) Inventors: **Joseph Palermo**, Boynton Beach, FL
(US); **Augusto Picozza**, Boca Raton, FL
(US); **Scott Henderson**, Brooklyn, NY
(US)

(73) Assignee: **Sunbeam Products, Inc.**, Boca Raton,
FL (US)

(**) Term: **14 Years**

(21) Appl. No.: **29/418,735**

(22) Filed: **Apr. 20, 2012**

(51) **LOC (9) Cl.** **31-00**

(52) **U.S. Cl.**
USPC **D7/386; D7/376; D7/378; D7/412**

(58) **Field of Classification Search**
USPC D7/301-313, 316-319, 356-357,
D7/368, 372-386, 391-398, 412-415, 503,
D7/515, 665-666, 679, 691-693; 99/280,
99/326, 348, 492, 508-512; 241/30-37.5,
241/101.01-101.2, 166-169.1, 172, 272,
241/285.1-285.3, 291, 292.1; 366/64-67,
366/98, 129, 142-144, 192-211, 241-254,
366/262, 279-292, 325.8, 325.92, 341-347;
416/75-77, 70 R, 163

See application file for complete search history.

(56) **References Cited**

U.S. PATENT DOCUMENTS

D187,684	S	*	4/1960	Hauser	D7/386
D200,494	S	*	3/1965	Bezark	D7/386
D478,468	S	*	8/2003	Holderfield et al.	D7/386
D552,419	S	*	10/2007	Picozza et al.	D7/412
D605,461	S	*	12/2009	Picozza et al.	D7/386
D660,642	S	*	5/2012	Boozer et al.	D7/386
D660,643	S	*	5/2012	Boozer et al.	D7/386
D667,259	S	*	9/2012	Lee et al.	D7/386
D668,100	S	*	10/2012	Palermo et al.	D7/386
D670,532	S	*	11/2012	Boozer et al.	D7/386

* cited by examiner

Primary Examiner — Ricky Pham

(74) *Attorney, Agent, or Firm* — Michael J. Corrigan

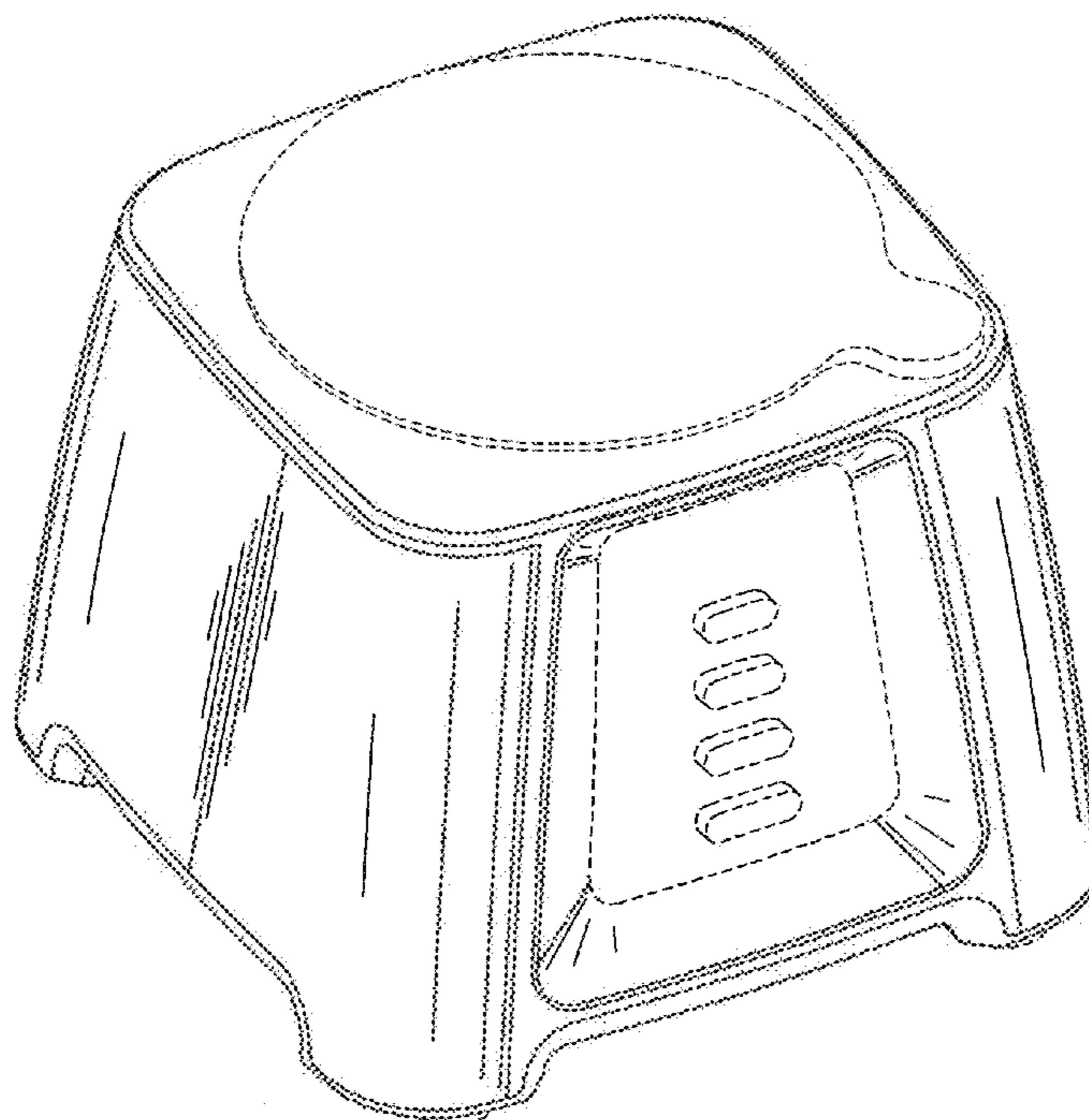
(57) **CLAIM**

The ornamental design for the appliance base, as shown and described.

DESCRIPTION

FIG. 1 is a front perspective view of the appliance base;
FIG. 2 is a front view thereof;
FIG. 3 is a right side view thereof
FIG. 4 is a rear view thereof;
FIG. 5 is a left side view thereof; and,
FIG. 6 is a top view thereof.
The portion shown in dashed lines is shown for illustrative purposes only and forms no part of the claimed design.

1 Claim, 6 Drawing Sheets



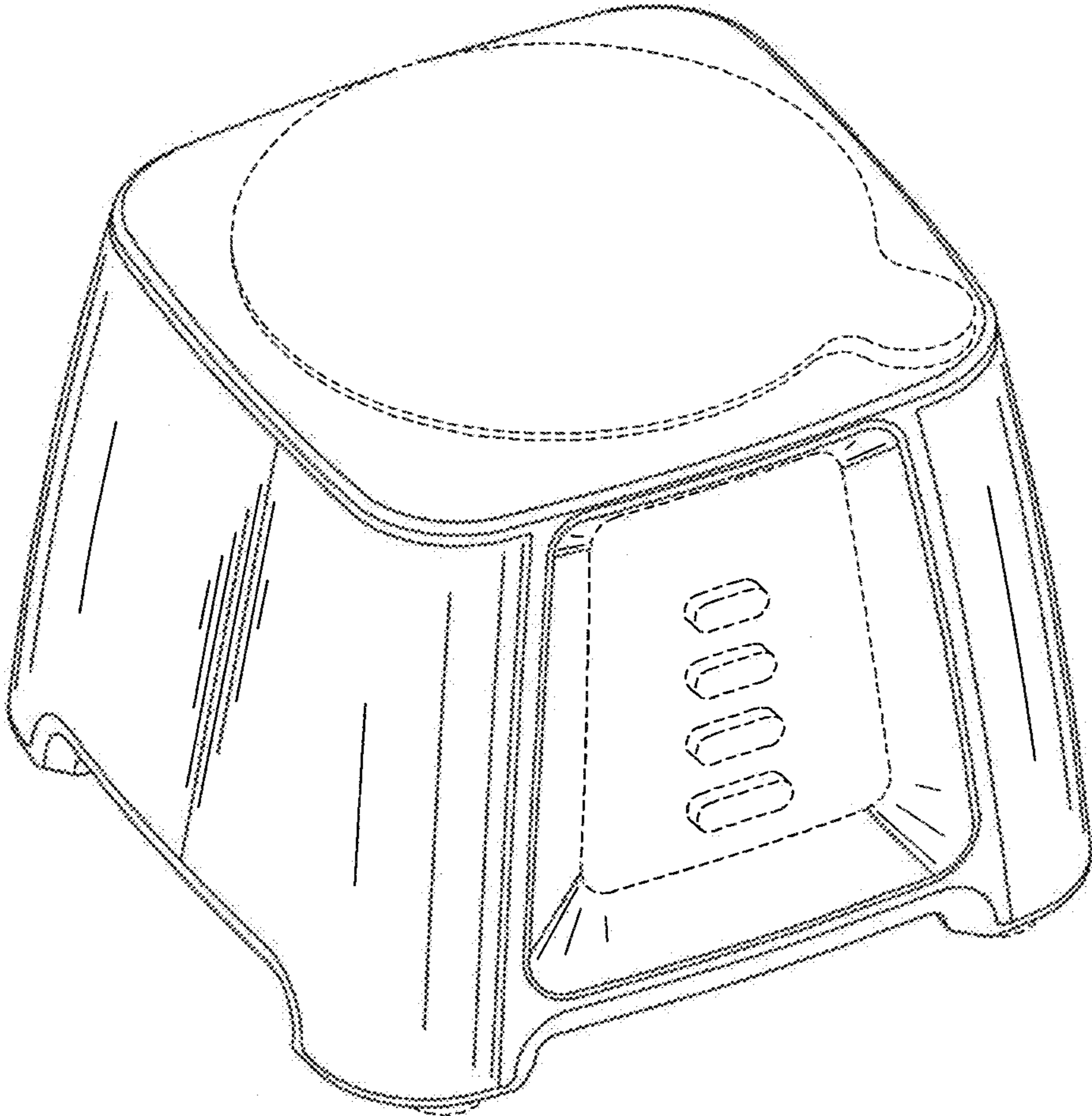


FIG 1

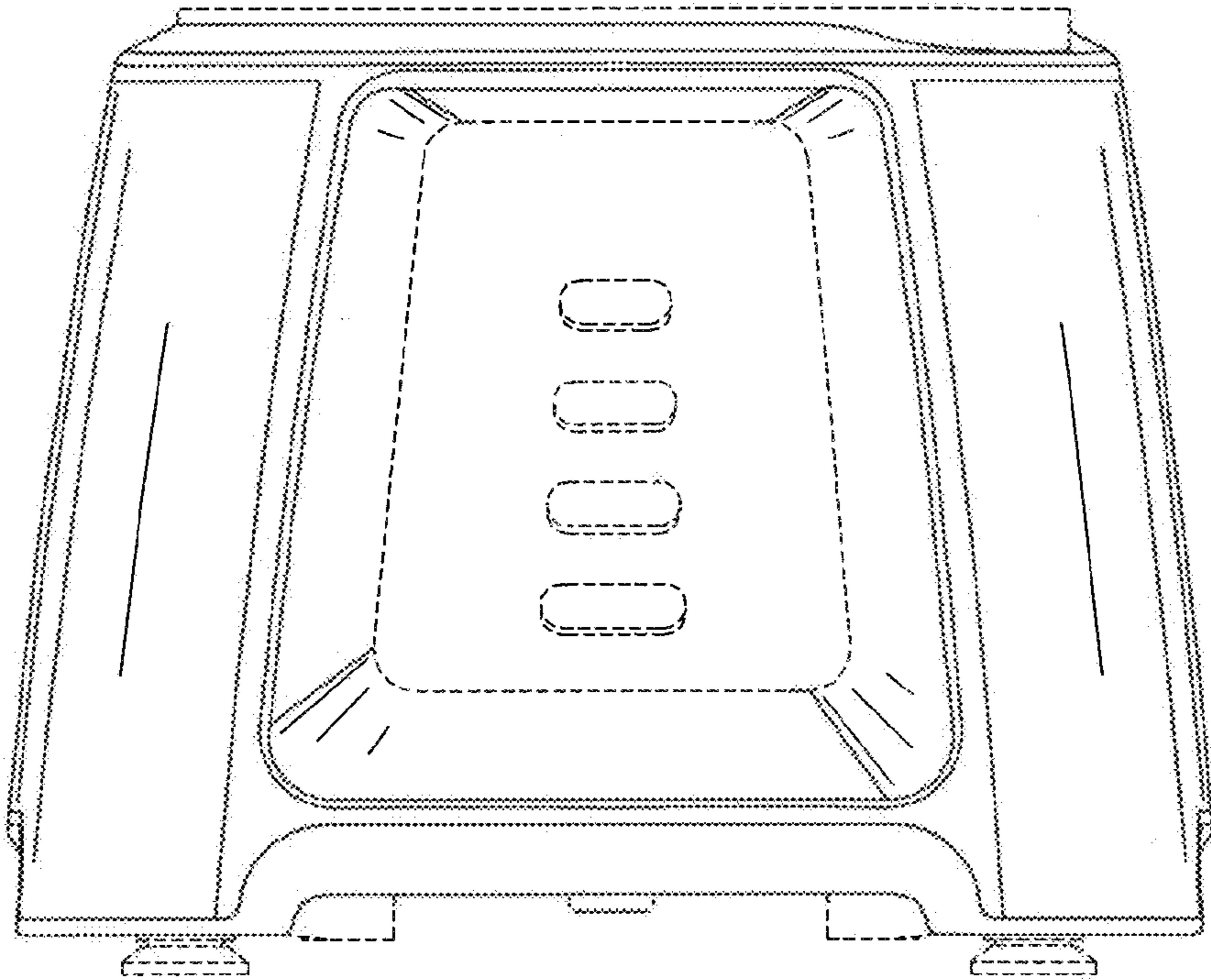


FIG 2

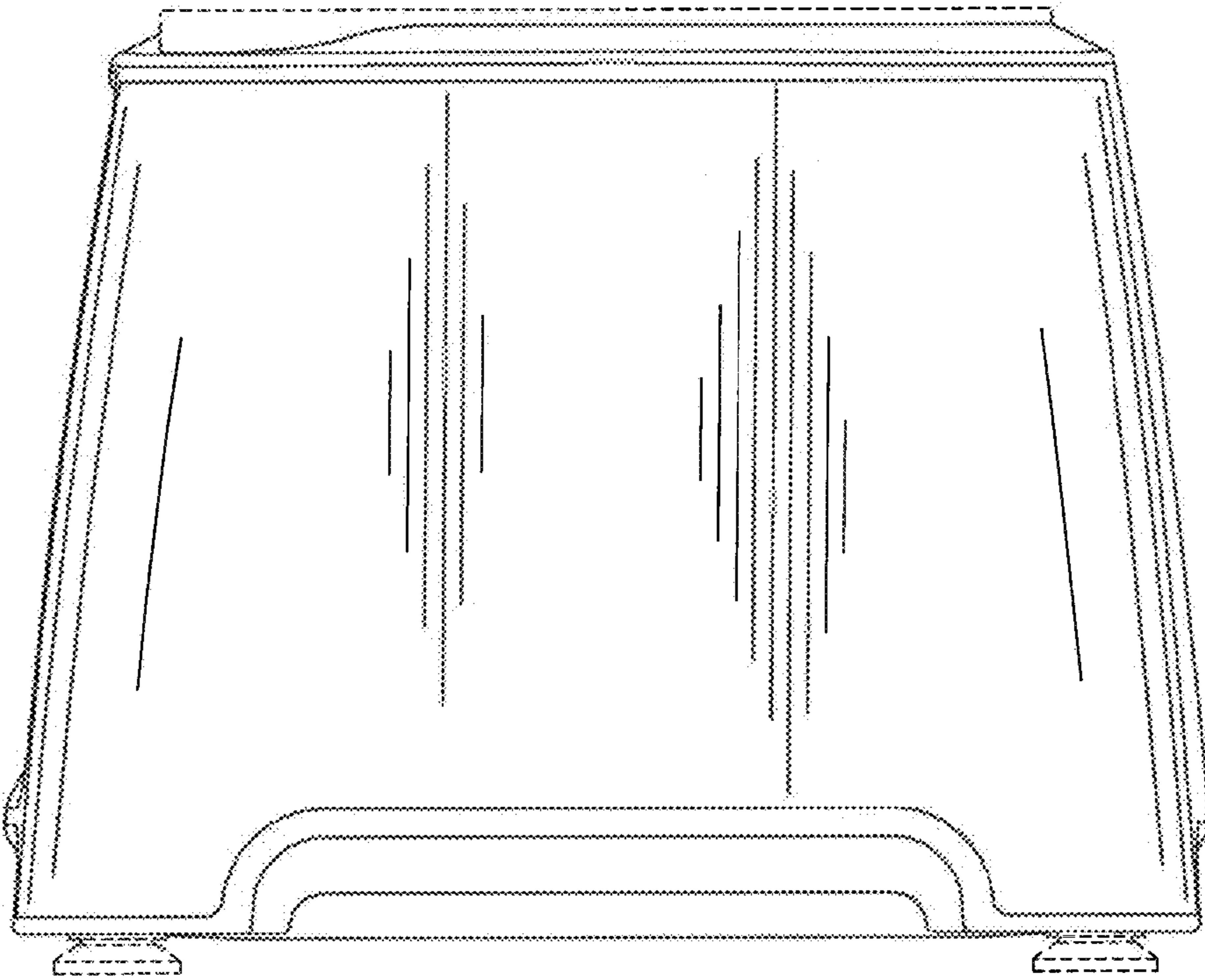


FIG 3

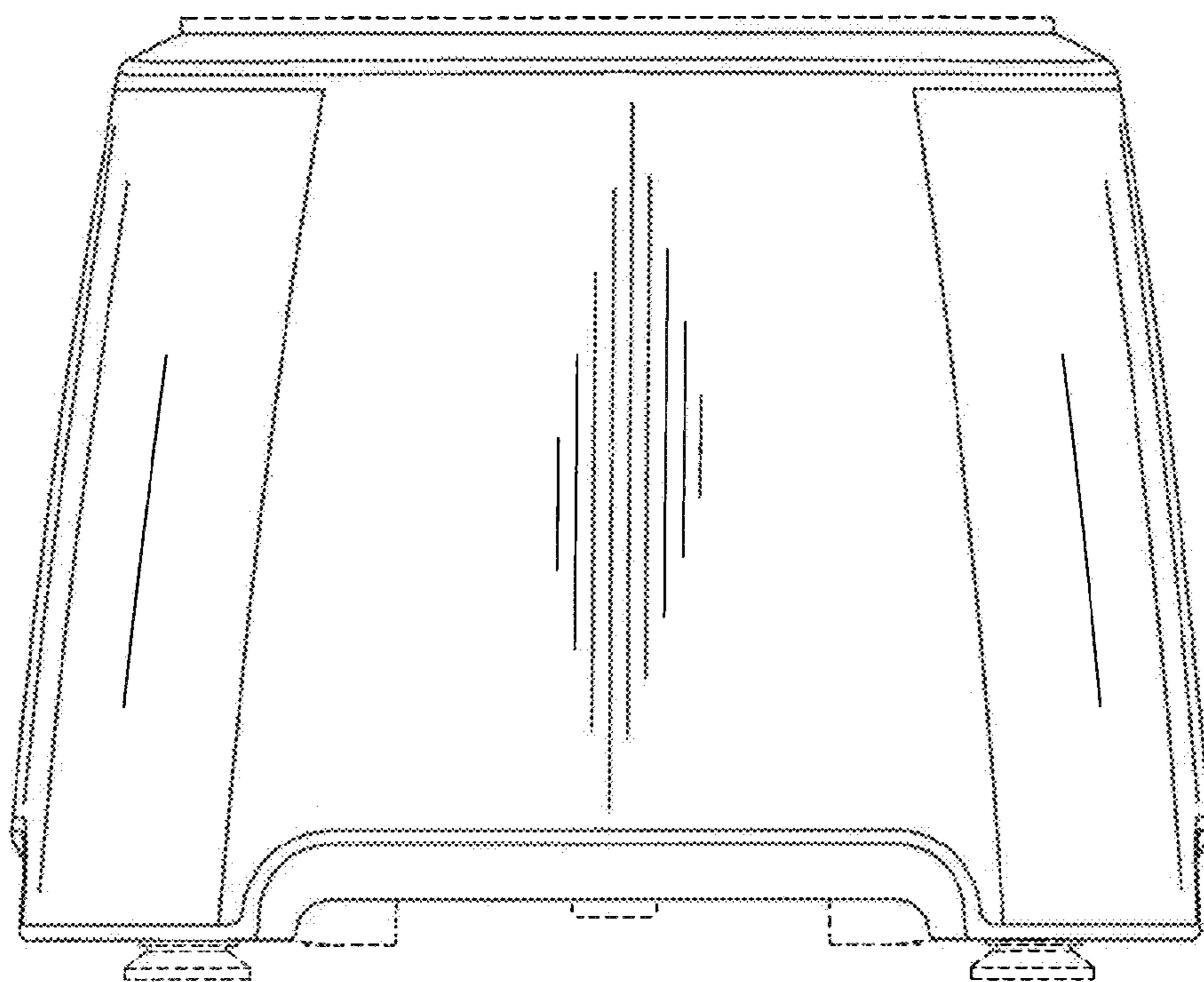


FIG 4

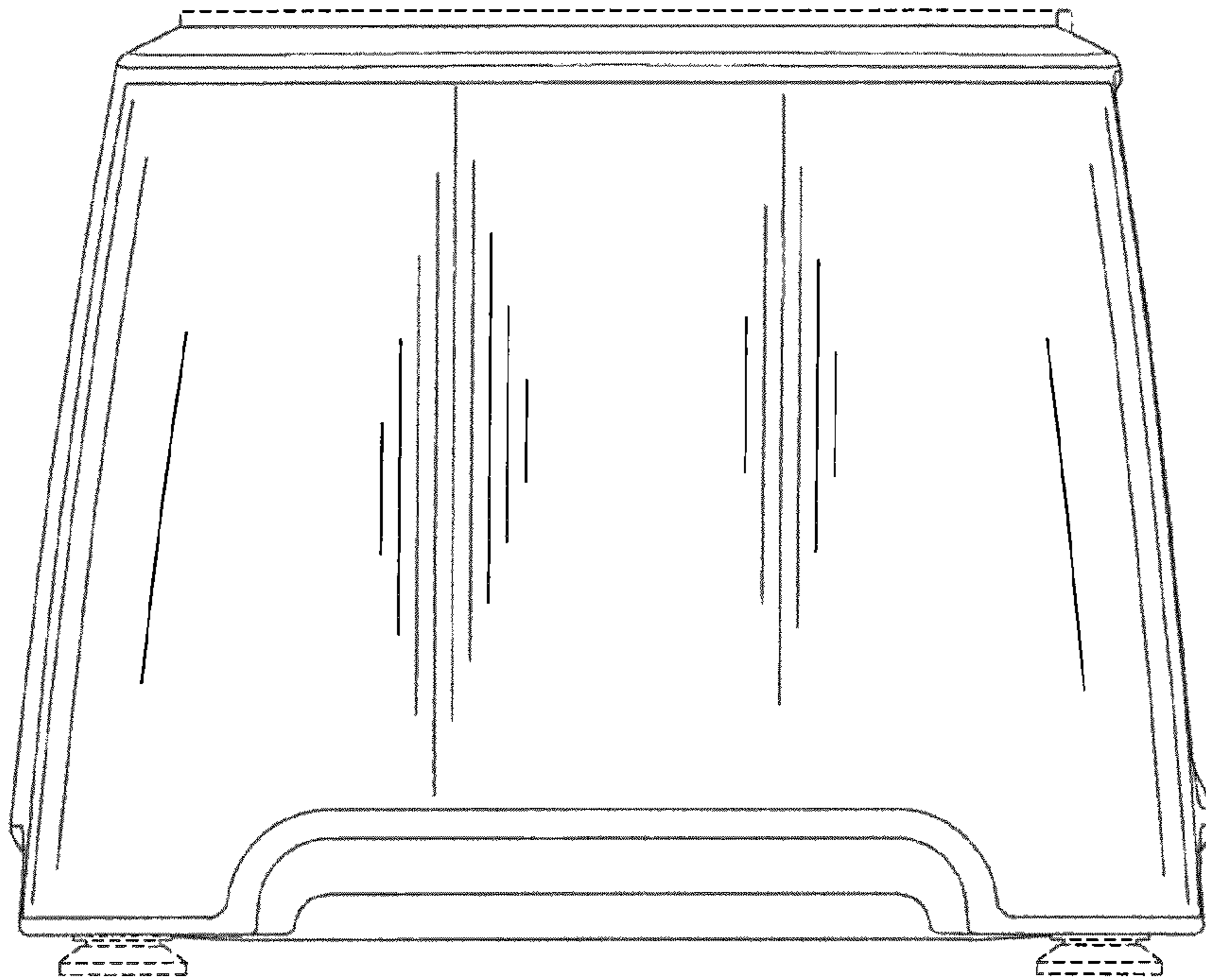


FIG 5

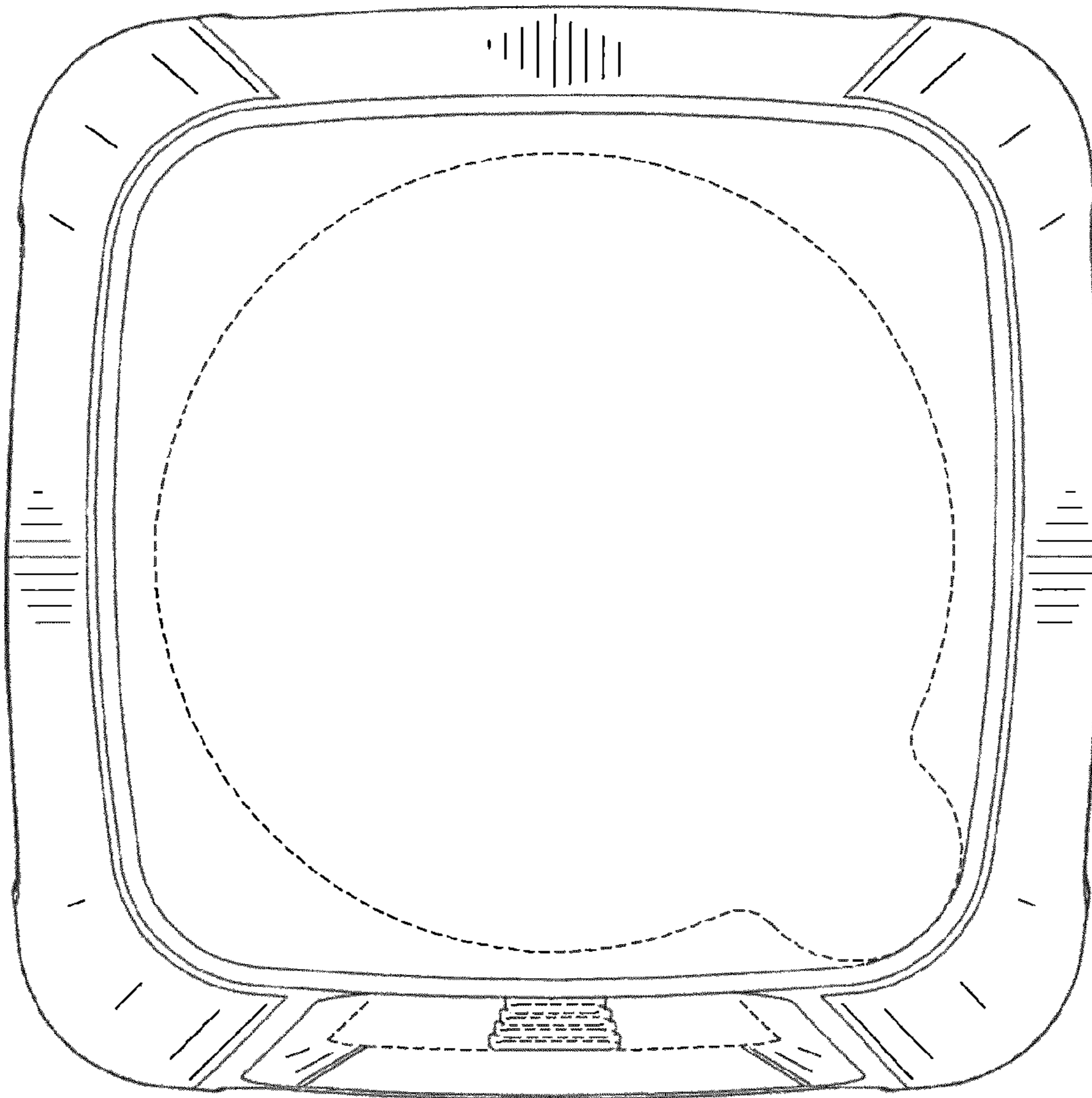


FIG 6