



US00D690150S

(12) **United States Design Patent**
Cahen

(10) **Patent No.:** **US D690,150 S**

(45) **Date of Patent:** **** Sep. 24, 2013**

(54) **COFFEE MACHINE**

(75) Inventor: **Antoine Cahen**, Lausanne (CH)

(73) Assignee: **Societe des Produits Nestle S.A.**, Vevey (CH)

(**) Term: **14 Years**

(21) Appl. No.: **29/415,767**

(22) Filed: **Mar. 14, 2012**

(51) **LOC (9) Cl.** **07-01**

(52) **U.S. Cl.**

USPC **D7/309**; D7/311

(58) **Field of Classification Search**

USPC D7/300, 309-311, 306-308, 313;
99/295, 323.2, 290; 222/144.5, 185.1

See application file for complete search history.

(56) **References Cited**

U.S. PATENT DOCUMENTS

D461,358 S *	8/2002	Cahen	D7/309
D596,442 S *	7/2009	Cahen	D7/309
D600,967 S *	9/2009	Cahen	D7/309
D602,303 S *	10/2009	Cahen	D7/309

D644,058 S * 8/2011 Cahen D7/309

D666,051 S * 8/2012 de Pra D7/309

D667,251 S * 9/2012 Cahen D7/309

D672,187 S * 12/2012 Milewski et al. D7/306

D674,233 S * 1/2013 Lavy et al. D7/309

* cited by examiner

Primary Examiner — Marianne Pandozzi

(74) *Attorney, Agent, or Firm* — K&L Gates LLP

(57) **CLAIM**

The ornamental design for a coffee machine, as shown and described.

DESCRIPTION

FIG. 1 is a front perspective view of a coffee machine showing my new design;

FIG. 2 is a front view thereof;

FIG. 3 is a rear view thereof;

FIG. 4 is a left side view thereof;

FIG. 5 is a right side view thereof;

FIG. 6 is a top plan view thereof; and,

FIG. 7 is a bottom plan view thereof.

The broken lines in the drawings are included for the purpose of illustration and form no part of the claimed design.

1 Claim, 7 Drawing Sheets

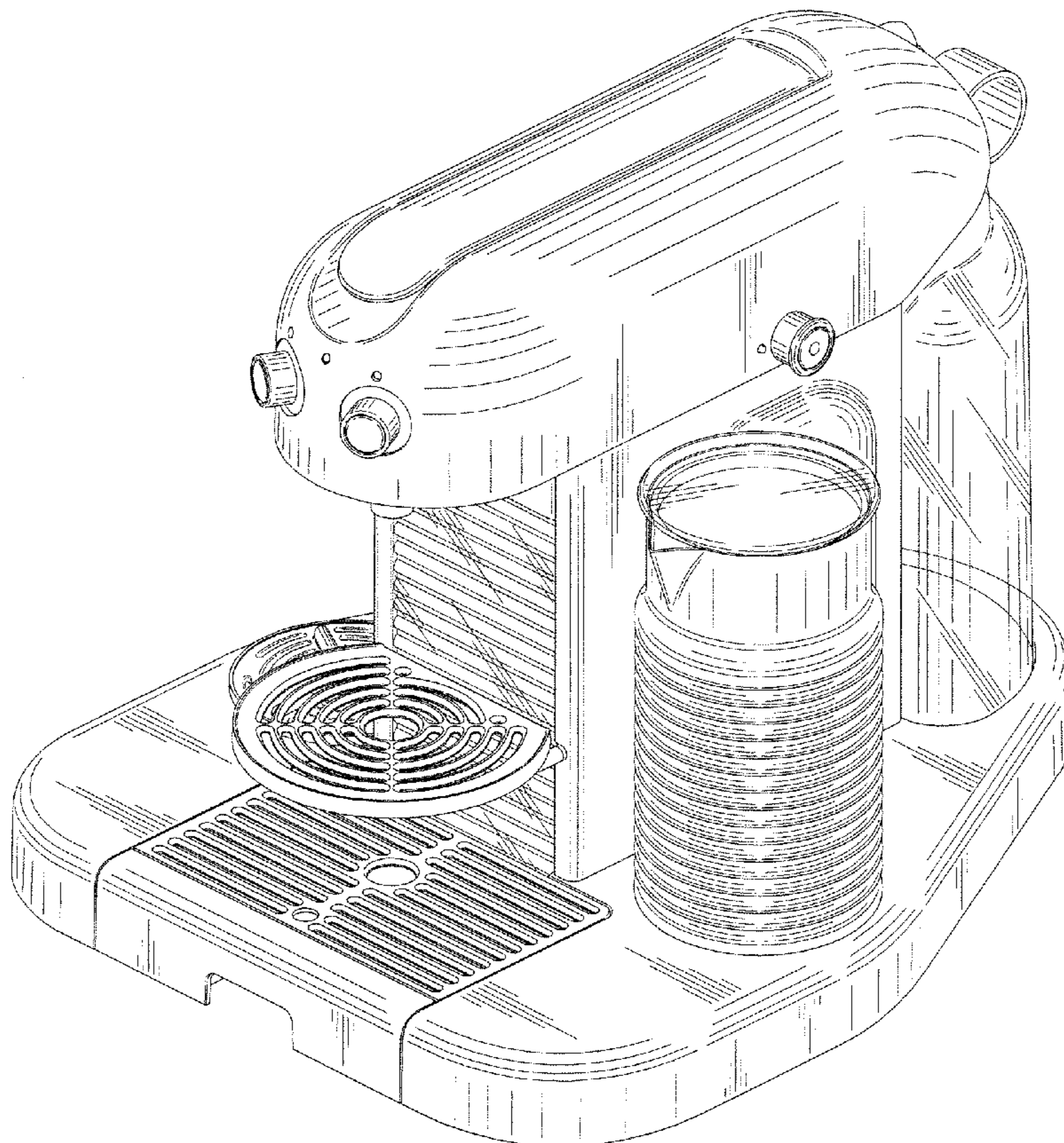


FIG. 1

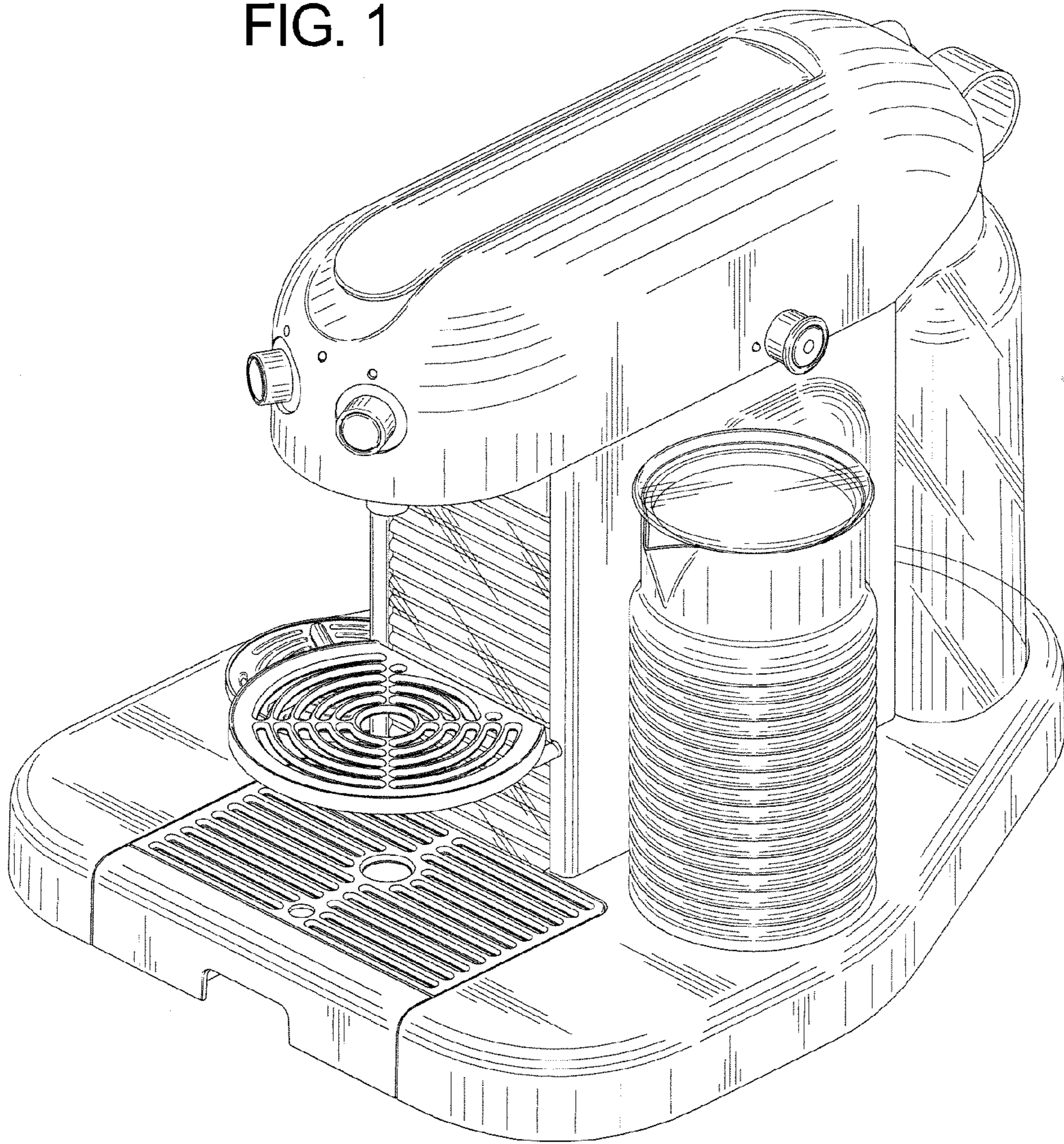


FIG. 2

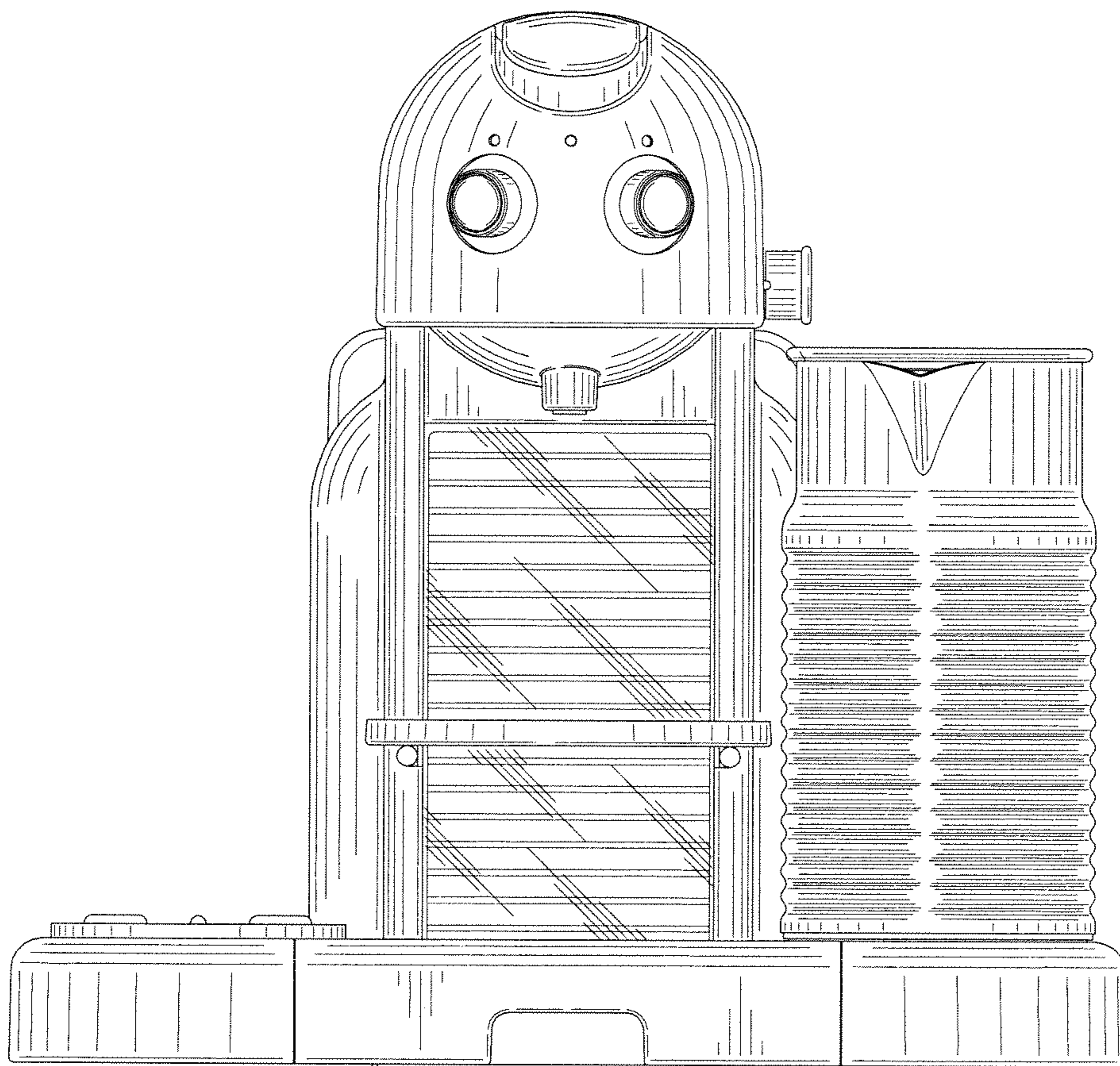


FIG. 3

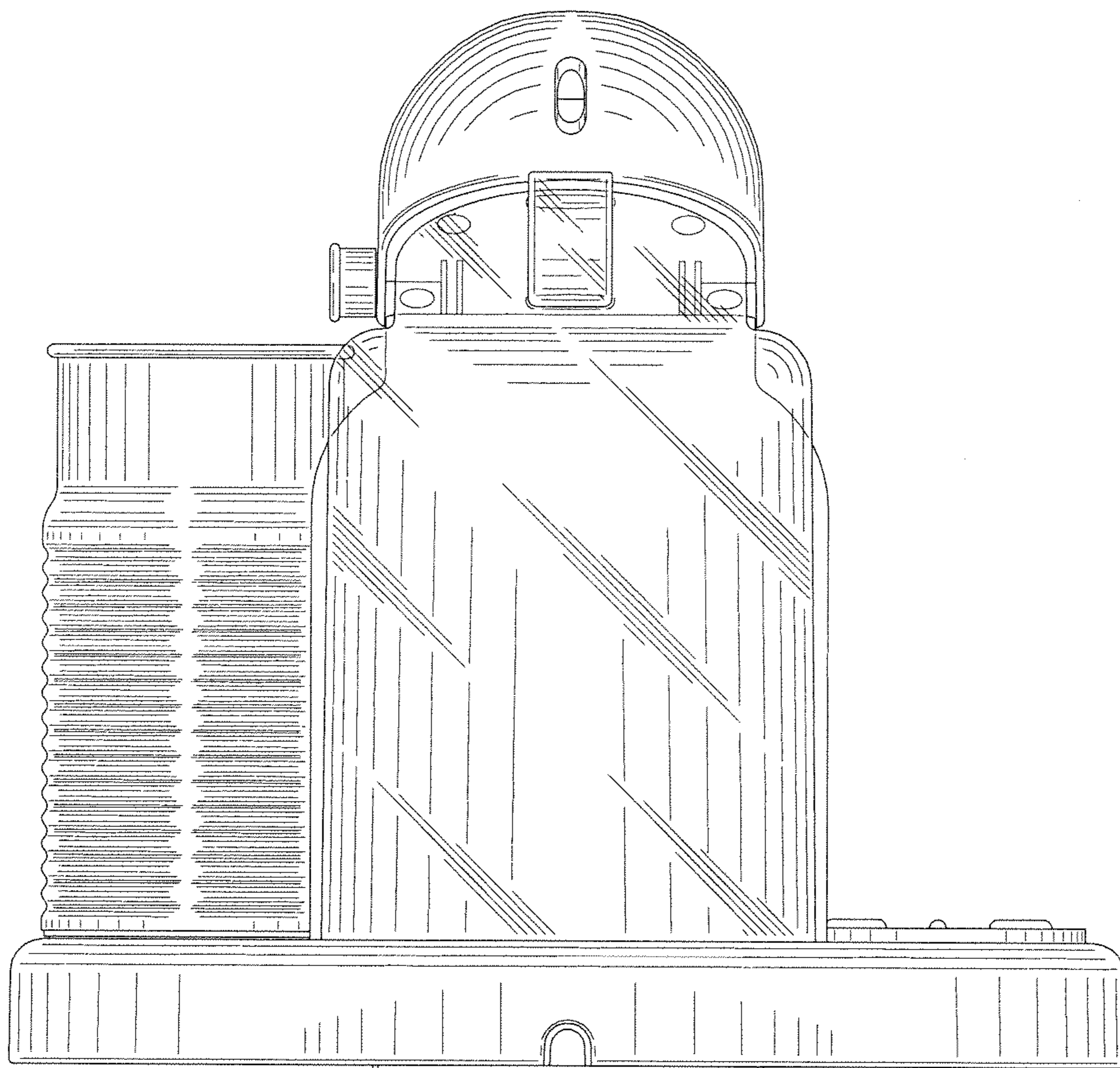


FIG. 4

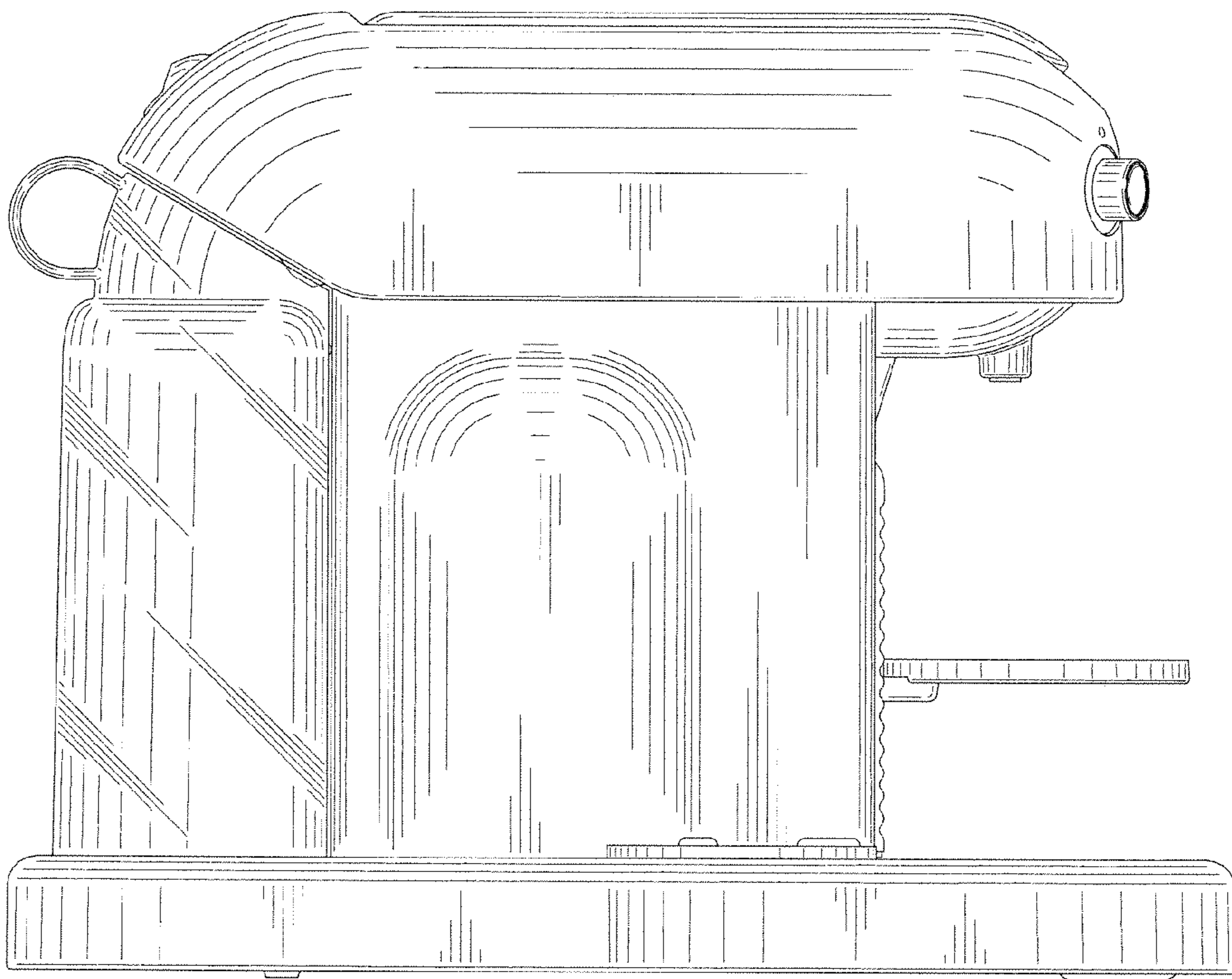


FIG. 5

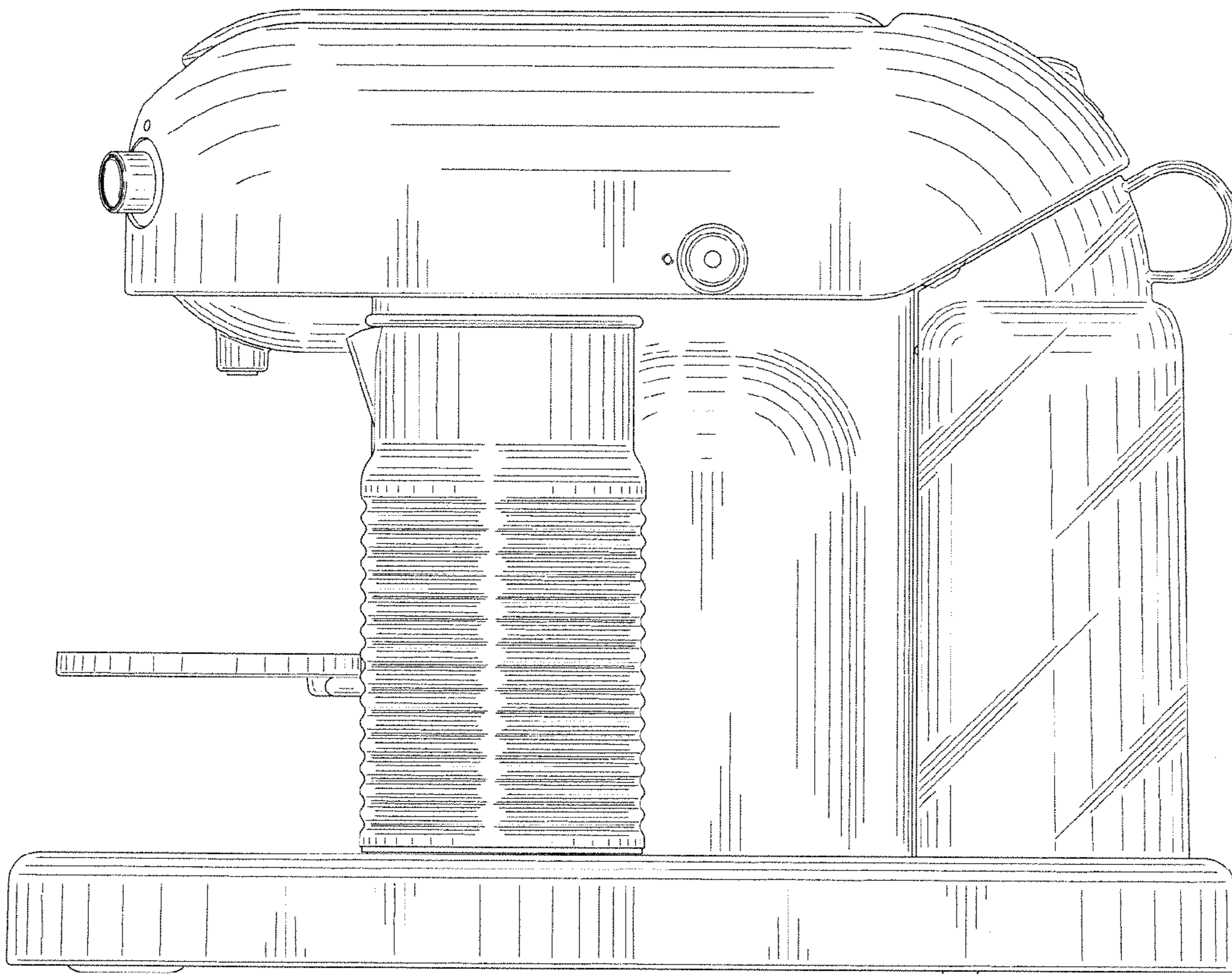


FIG. 6

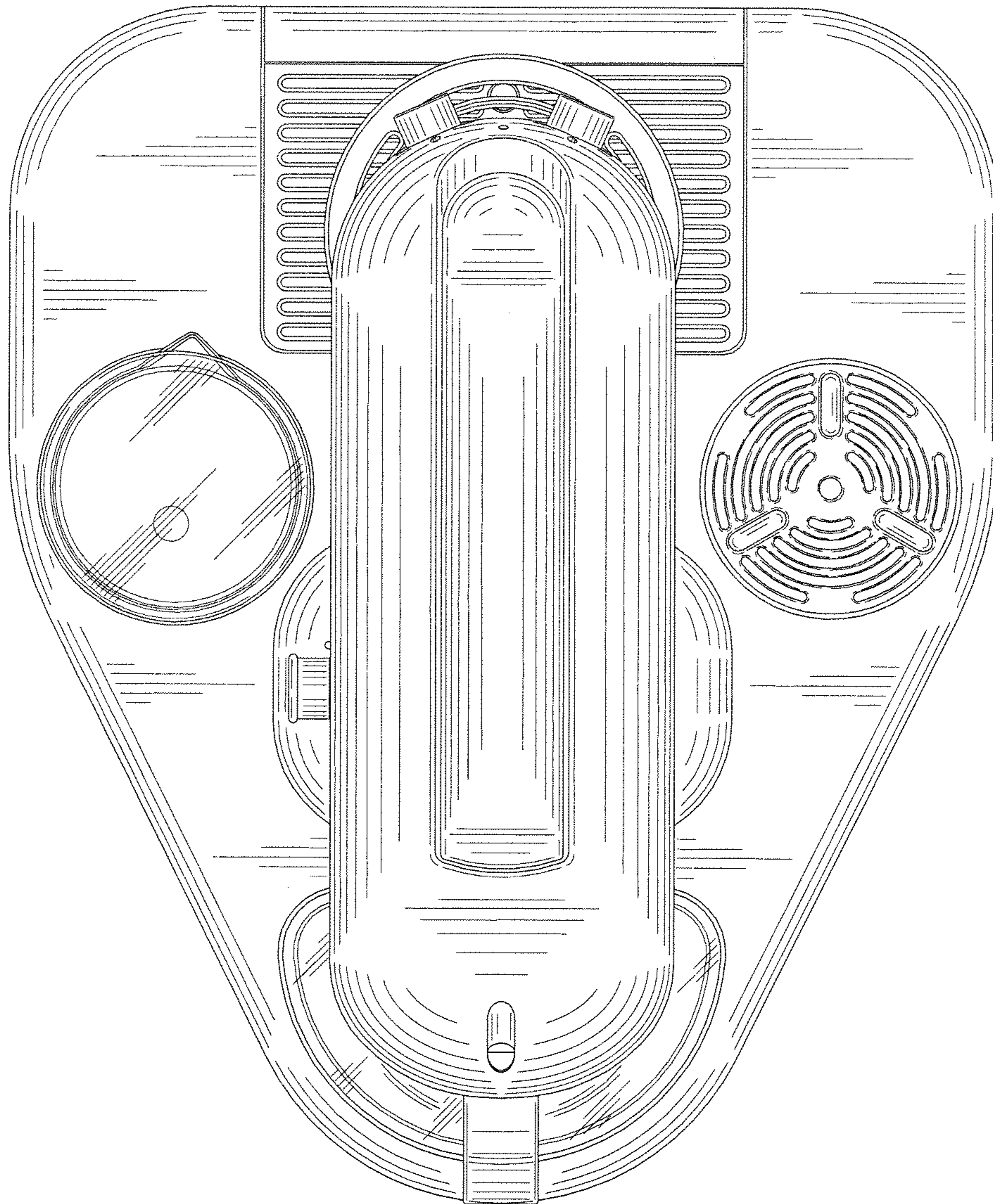


FIG. 7

