

US00D690148S

(12) **United States Design Patent**
Rupp

(10) **Patent No.:** **US D690,148 S**

(45) **Date of Patent:** **** Sep. 24, 2013**

(54) **TABLETOP DISPENSER**

(75) Inventor: **Carl A. Rupp**, Salt Lake City, UT (US)

(73) Assignee: **Snowie LLC**, Salt Lake City, UT (US)

(**) Term: **14 Years**

(21) Appl. No.: **29/417,216**

(22) Filed: **Mar. 30, 2012**

(51) **LOC (9) Cl.** **07-01**

(52) **U.S. Cl.**
USPC **D7/307; D7/308; D7/397**

(58) **Field of Classification Search**
USPC D7/309-311, 306-308, 300, 589,
D7/301, 397; 141/9; 222/135, 146.6, 144.5,
222/108; D6/699

See application file for complete search history.

(56) **References Cited**

U.S. PATENT DOCUMENTS

D198,014 S *	4/1964	Frey	D7/308
D287,688 S *	1/1987	Mortimer	D7/307
D288,516 S *	3/1987	Mortimer	D7/307
D292,467 S *	10/1987	Runyon	D7/306
D294,105 S *	2/1988	Mathews	D7/307
D300,595 S *	4/1989	Boxall	D7/307

D372,625 S *	8/1996	Forsen	D7/308
D505,823 S *	6/2005	Turner	D7/307
D552,380 S *	10/2007	Lowsky	D6/481
D667,675 S *	9/2012	Bouwknegt et al.	D7/307

* cited by examiner

Primary Examiner — Marianne Pandozzi

(74) *Attorney, Agent, or Firm* — Terrence J. Edwards;
TechLaw Ventures, PLLC

(57) **CLAIM**

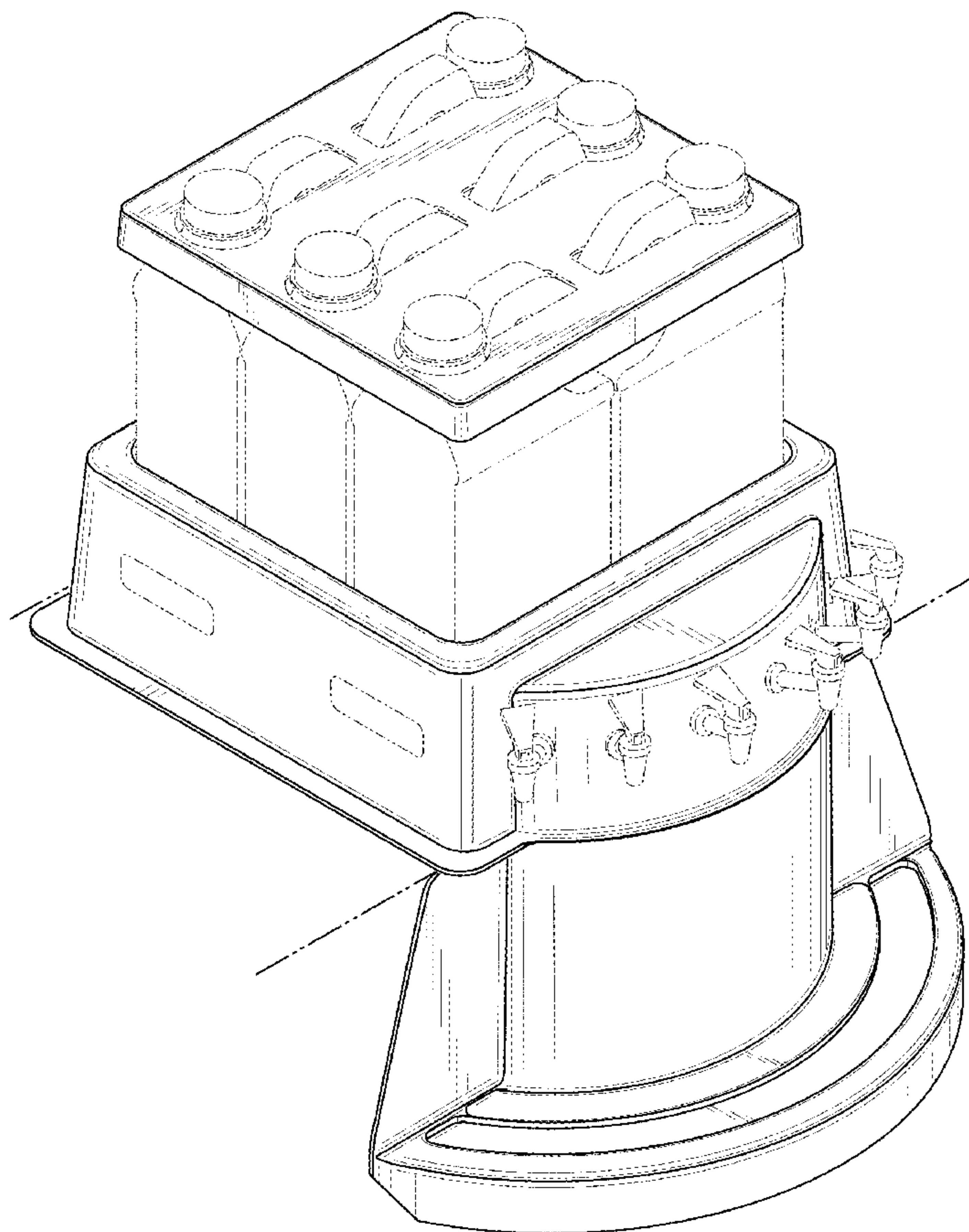
I claim the ornamental design for a tabletop dispenser, as shown and described.

DESCRIPTION

FIG. 1 is a perspective view of a tabletop dispenser showing my new design;
FIG. 2 is a front view thereof;
FIG. 3 is a rear view thereof;
FIG. 4 is a side view thereof;
FIG. 5 is a side view thereof;
FIG. 6 is a top plan view thereof; and,
FIG. 7 is a bottom plan view thereof.

The broken lines in the drawings are included for the purpose of illustration and form no part of the claimed design.

1 Claim, 7 Drawing Sheets



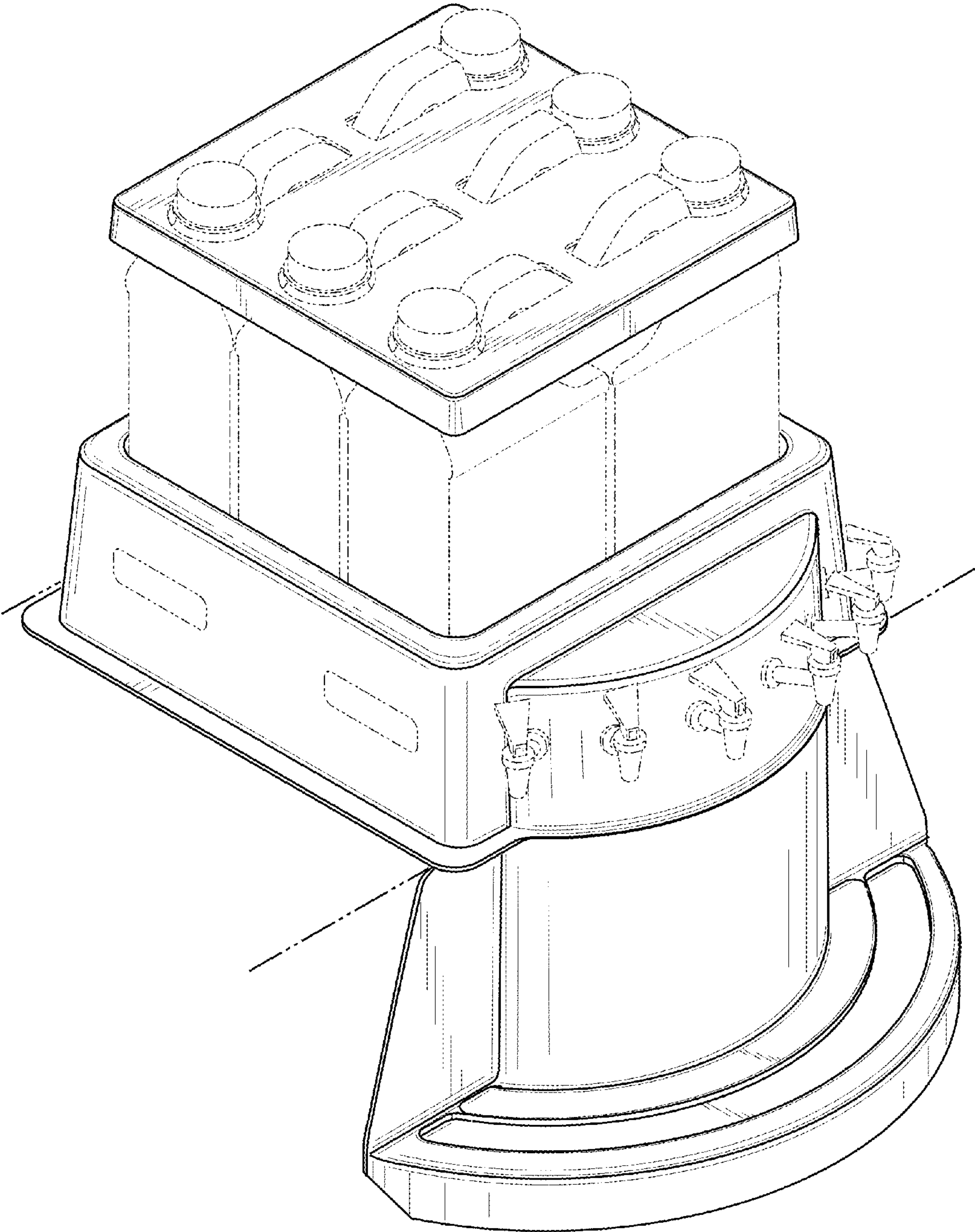


FIG. 1

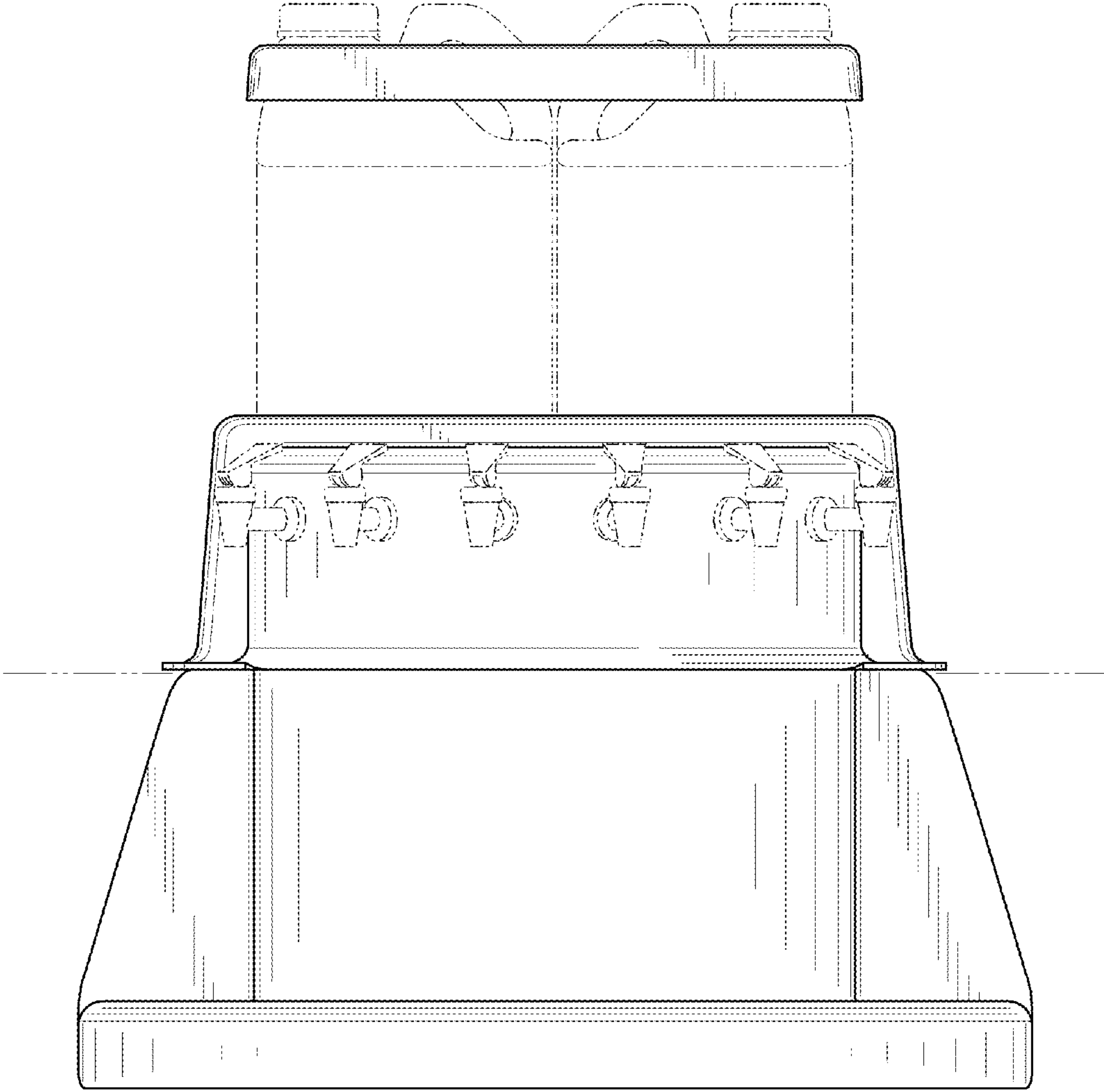


FIG. 2

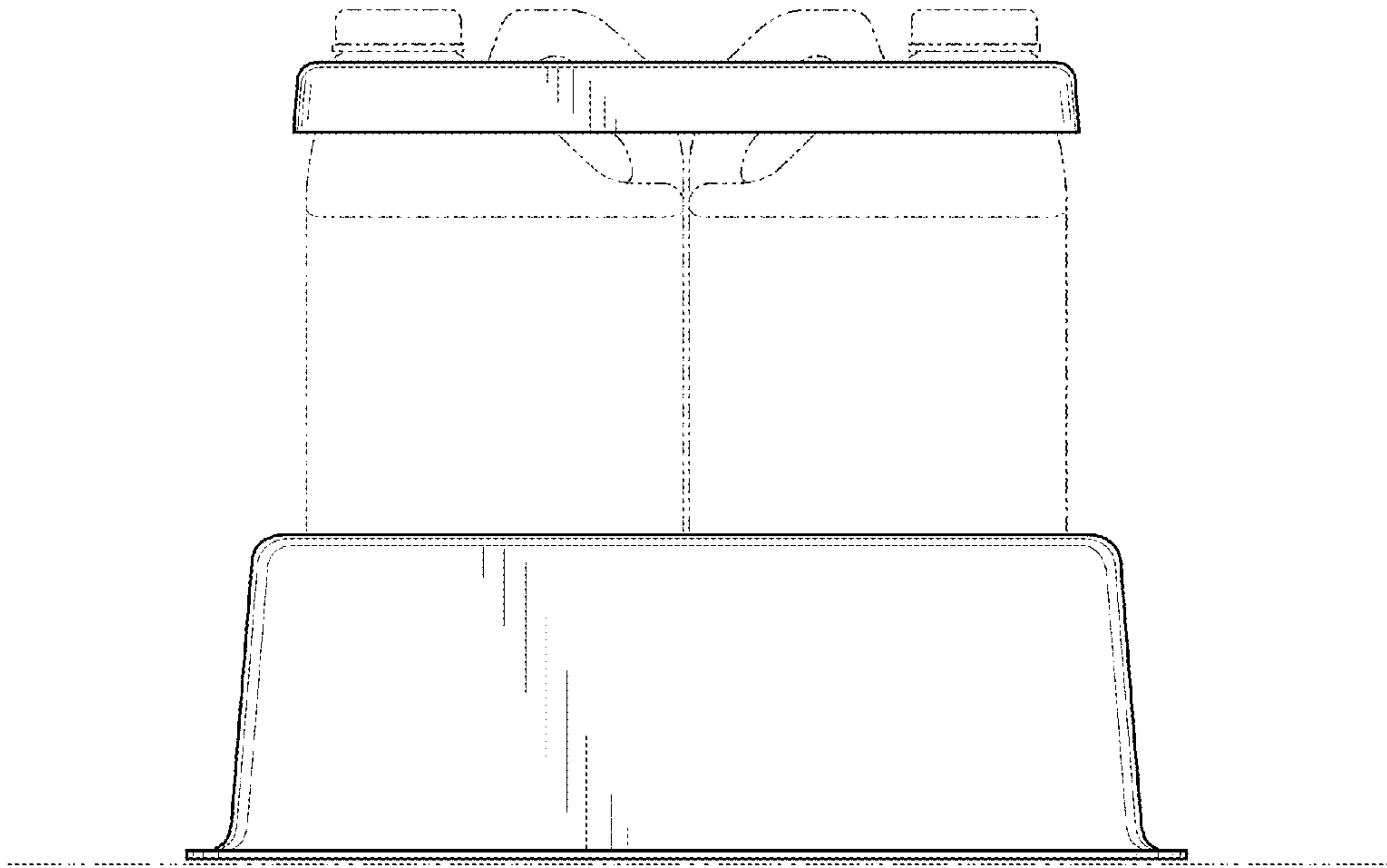


FIG. 3

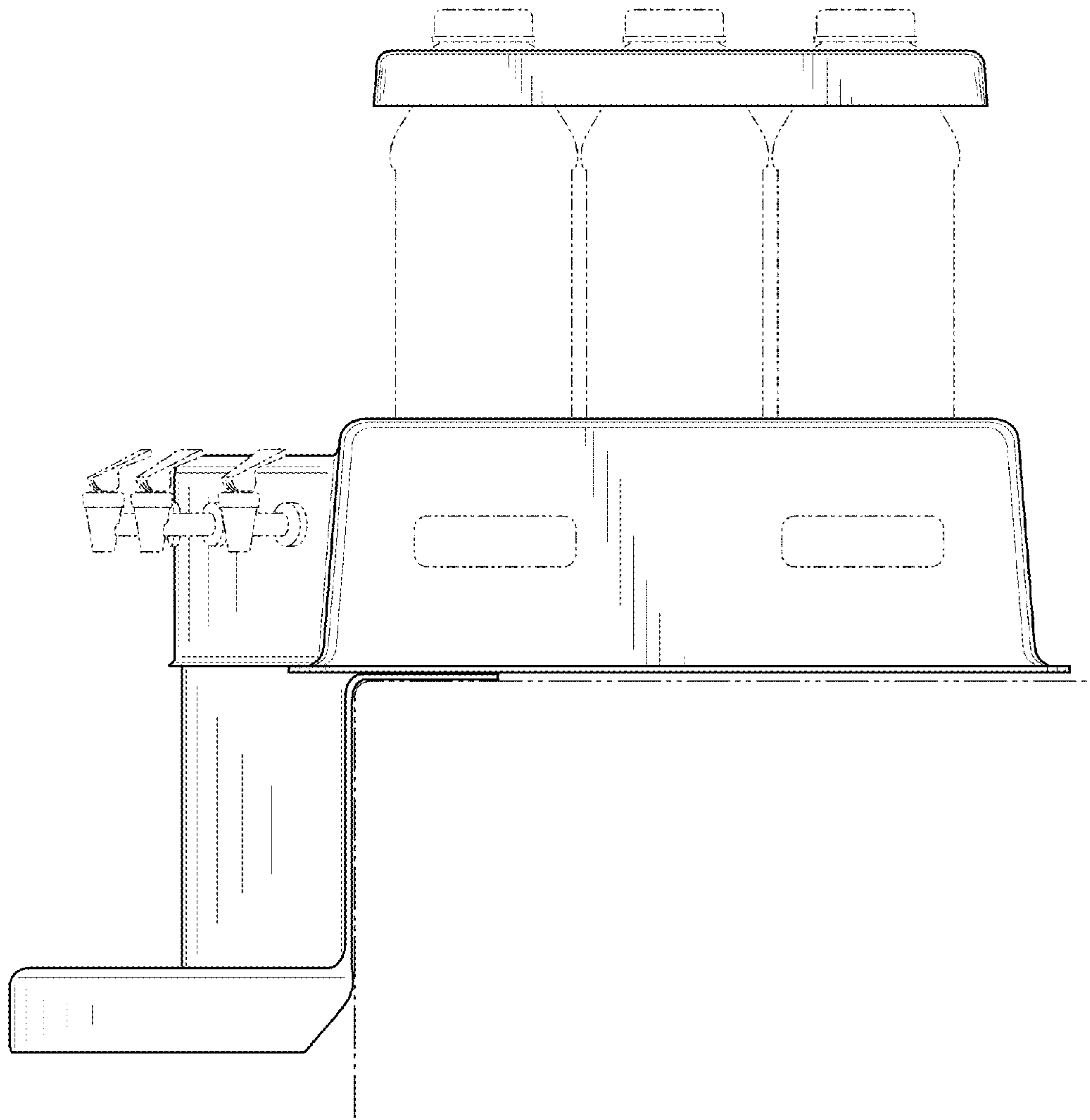


FIG. 4

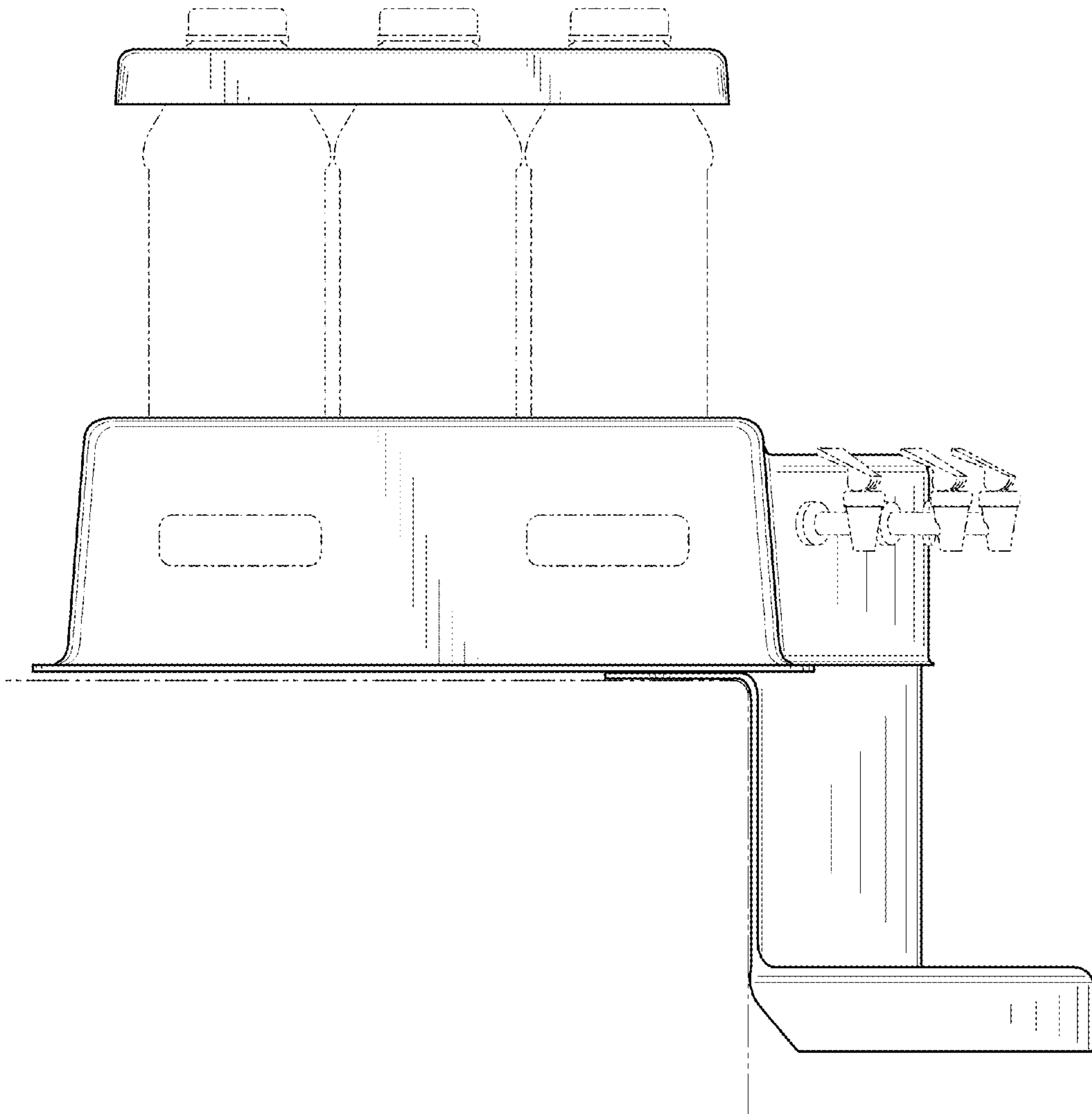


FIG. 5

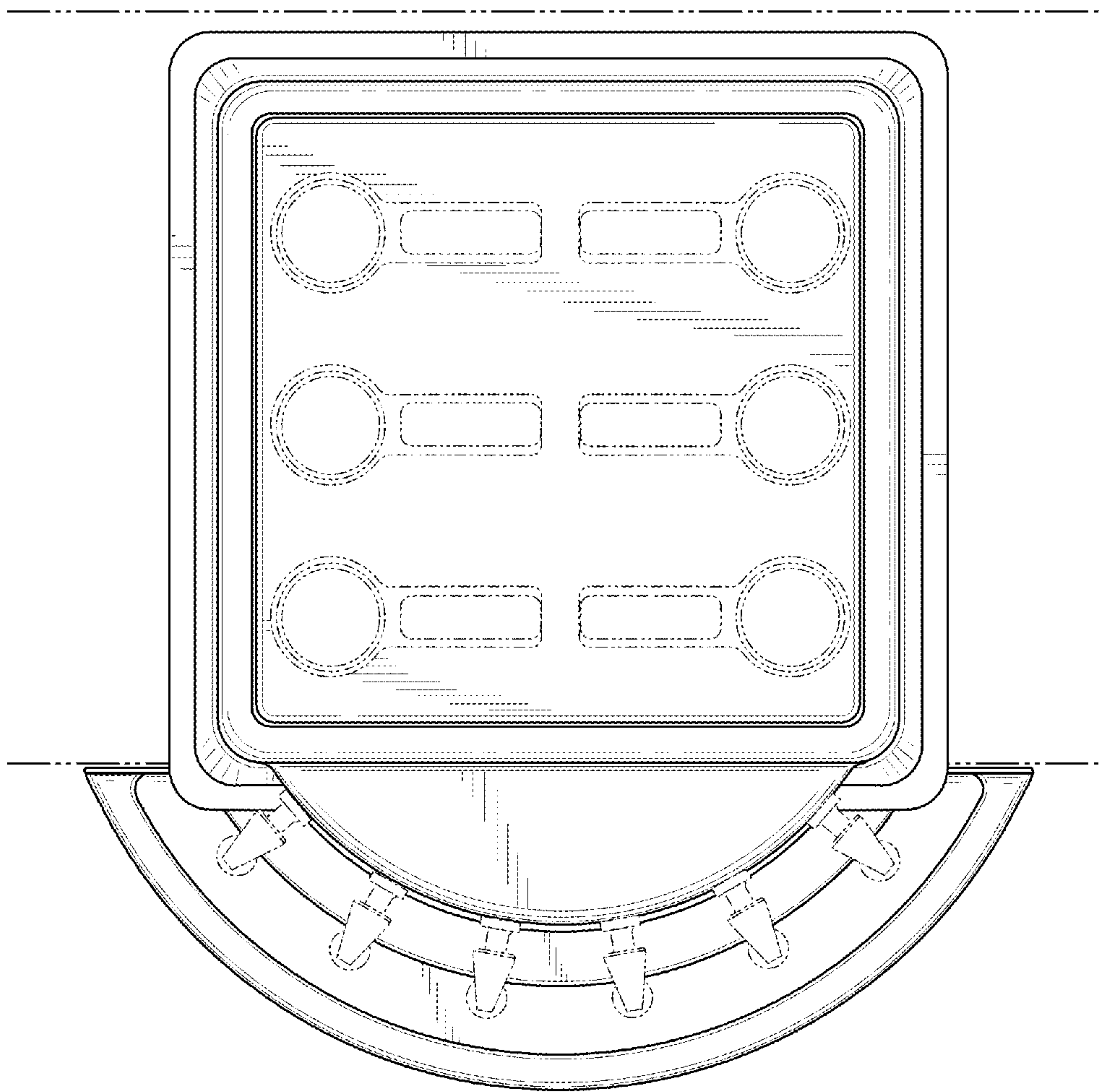


FIG. 6

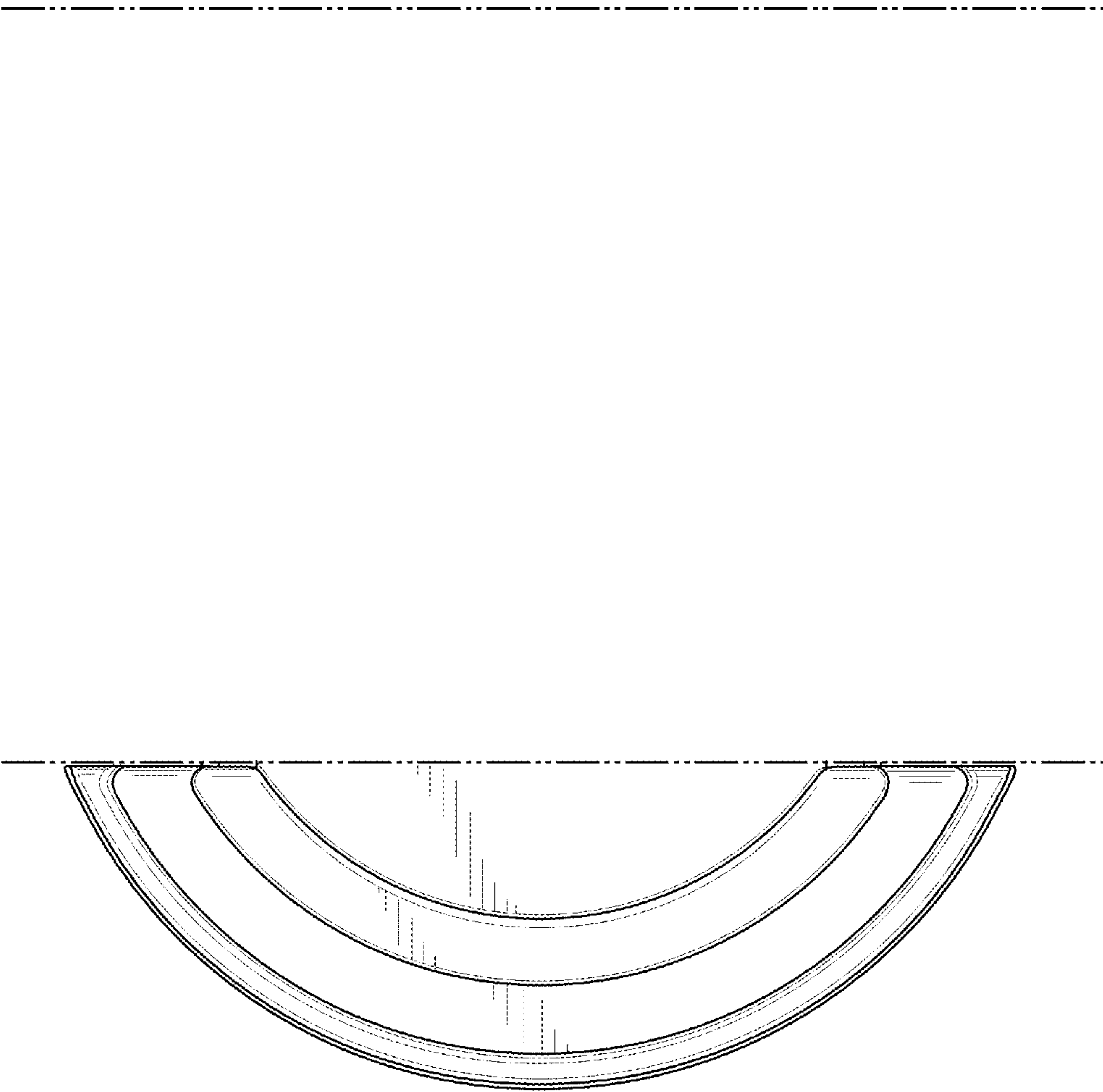


FIG. 7