



US00D690146S

(12) **United States Design Patent**  
**Smith et al.**

(10) **Patent No.:** **US D690,146 S**  
(45) **Date of Patent:** **\*\* Sep. 24, 2013**

(54) **CHAIR**

(71) Applicant: **Steelcase Inc.**, Grand Rapids, MI (US)

(72) Inventors: **Bruce M. Smith**, East Grand Rapids, MI (US); **Glen Oliver Low**, Hamburg (DE); **James N. Ludwig**, East Grand Rapids, MI (US); **Robert J. Battey**, Middleville, MI (US); **Gordon Jay Peterson**, Rockford, MI (US)

(73) Assignee: **Steelcase Inc.**, Grand Rapids, MI (US)

(\*\*) Term: **14 Years**

(21) Appl. No.: **29/445,946**

(22) Filed: **Feb. 19, 2013**

**Related U.S. Application Data**

(63) Continuation of application No. 29/432,780, filed on Sep. 20, 2012.

(51) **LOC (9) Cl.** ..... **06-01**

(52) **U.S. Cl.**  
USPC ..... **D6/716**

(58) **Field of Classification Search**  
USPC ..... D6/334-336, 364, 365, 366, 367, D6/374, 376, 379, 380, 716, 716.1, 716.2, D6/716.3, 716.4; 297/394, 396, 404, 284.4, 297/298, 411.27, 452.21, 452.29, 452.3, 297/452.32, 452.34, 452.48, 452.56  
See application file for complete search history.

(56) **References Cited**

**U.S. PATENT DOCUMENTS**

3,226,159 A 12/1965 Binding et al.  
4,711,491 A 12/1987 Ginat  
5,439,267 A 8/1995 Peterson et al.  
5,599,067 A 2/1997 Schuelke et al.

5,725,276 A 3/1998 Ginat  
5,772,282 A 6/1998 Stumpf et al.  
5,871,258 A 2/1999 Battey et al.  
5,934,758 A 8/1999 Ritch et al.  
5,975,634 A 11/1999 Knoblock et al.  
6,000,759 A 12/1999 Pedronno et al.  
6,035,901 A 3/2000 Stumpf et al.  
6,039,397 A 3/2000 Ginat  
D423,261 S 4/2000 Ritch et al.

(Continued)

**FOREIGN PATENT DOCUMENTS**

EP 1836935 9/2007  
EP 2068677 6/2009

(Continued)

**OTHER PUBLICATIONS**

Haworth X99 Chair Brochure.

(Continued)

*Primary Examiner* — Mimoso De

(74) *Attorney, Agent, or Firm* — Price Heneveld LLP

(57) **CLAIM**

We claim the ornamental design for the chair, as shown and described.

**DESCRIPTION**

FIG. 1 is a perspective view of a chair embodying the present invention;

FIG. 2 is a front view of the chair;

FIG. 3 is a first side view of the chair;

FIG. 4 is a second side view of the chair;

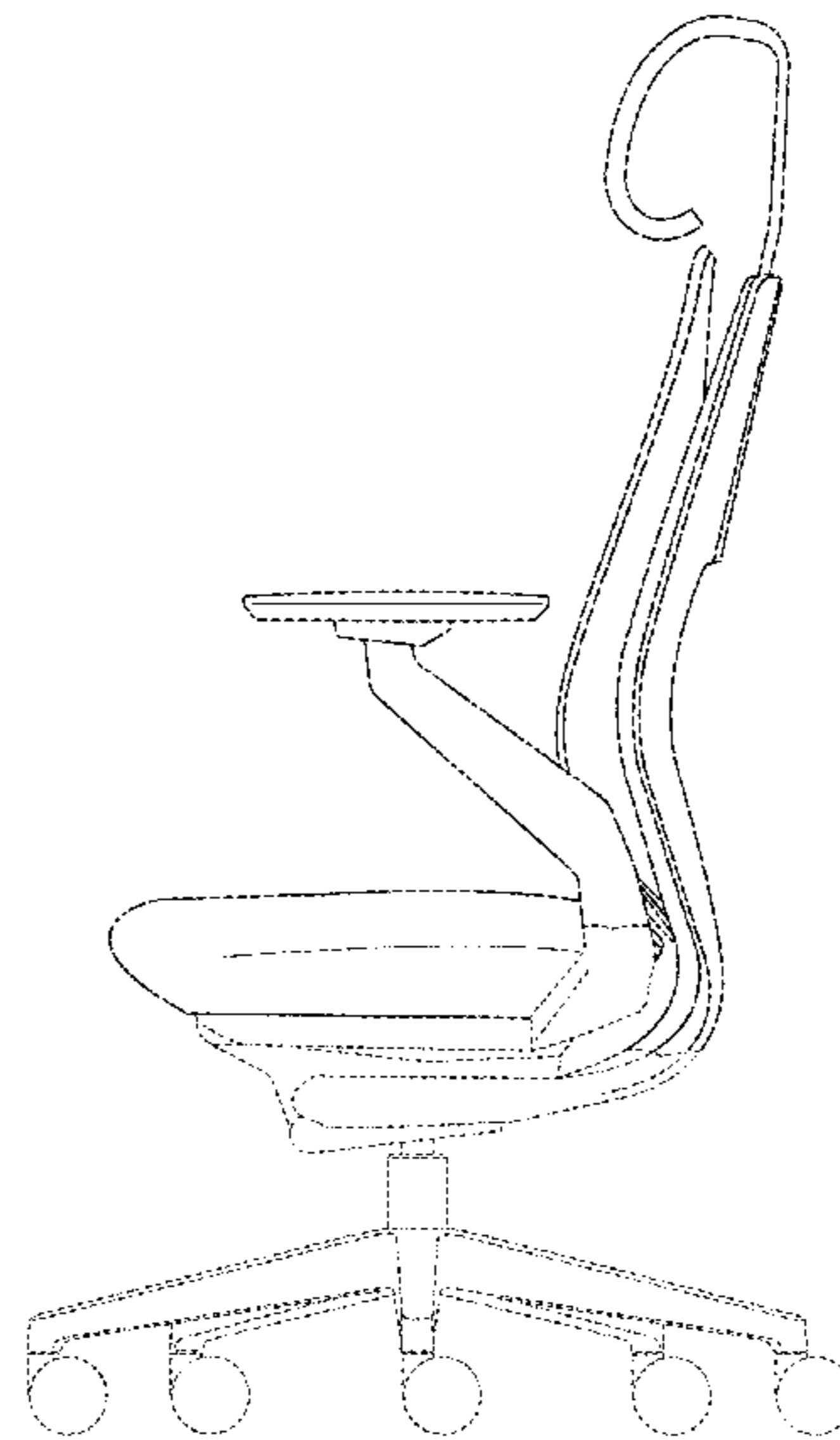
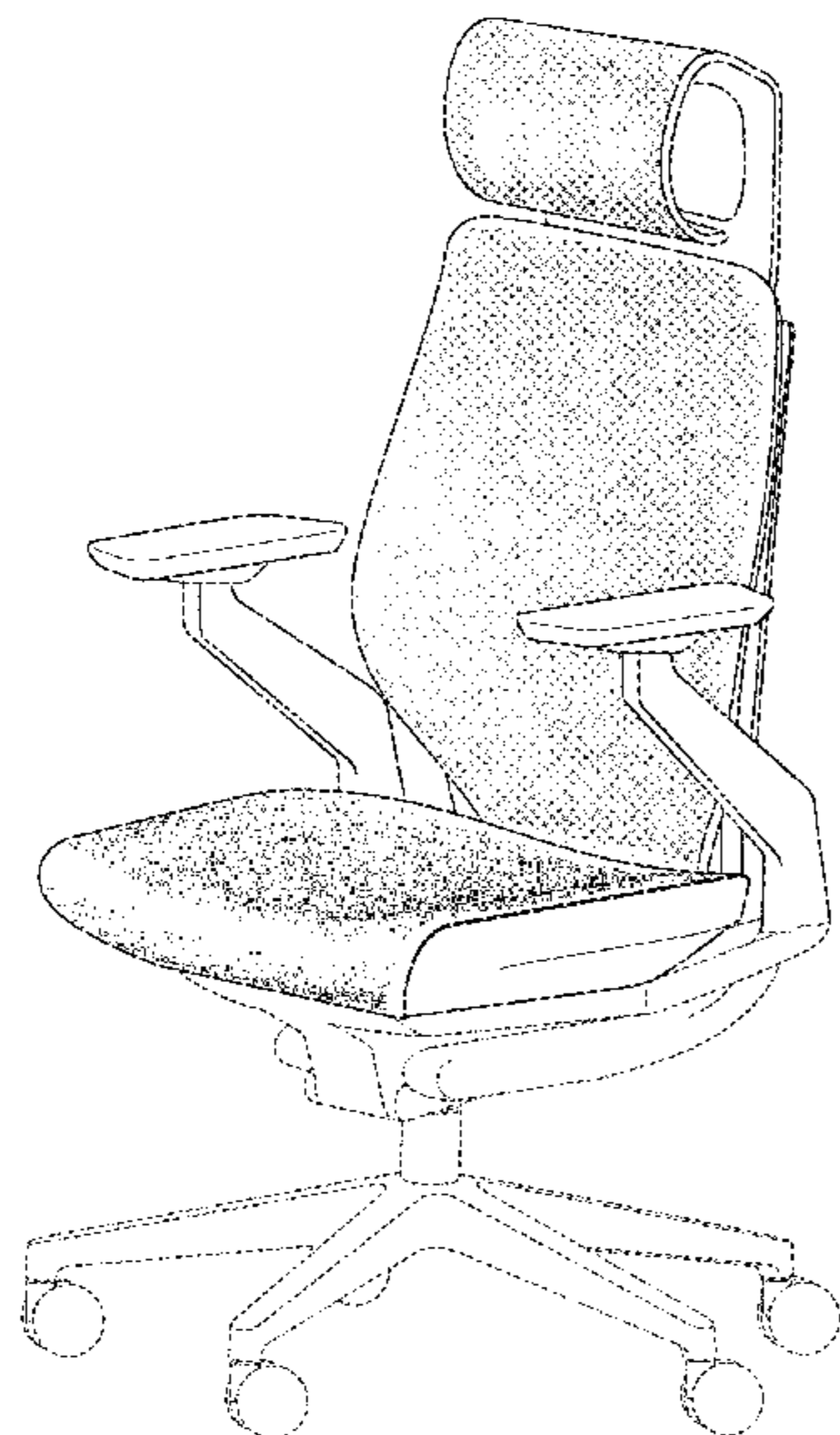
FIG. 5 is a rear view of the chair;

FIG. 6 is a top view of the chair; and,

FIG. 7 is a bottom view of the chair.

The broken lines shown in the drawing are for illustrative purposes only and form no part of the claimed design.

**1 Claim, 7 Drawing Sheets**



(56)

References Cited

U.S. PATENT DOCUMENTS

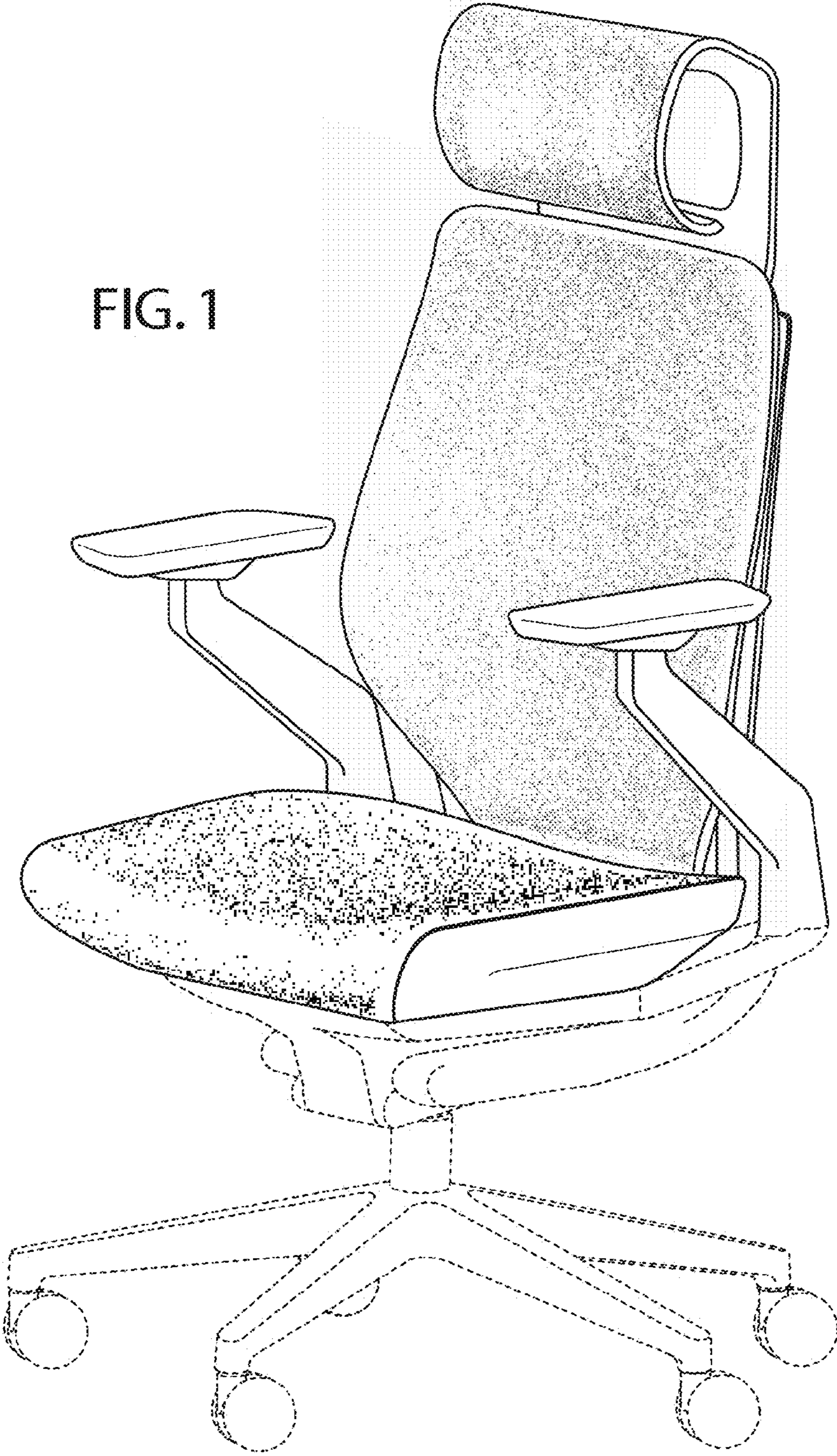
6,053,578 A	4/2000	Van Hekken et al.	7,066,537 B2	6/2006	Coffield et al.
6,059,366 A	5/2000	Hu	7,066,546 B2	6/2006	Trego et al.
6,059,368 A	5/2000	Stumpf et al.	7,097,247 B2	8/2006	Battey et al.
6,076,892 A	6/2000	Van Hekken et al.	D528,810 S *	9/2006	Giugiaro ..... D6/366
6,079,785 A	6/2000	Peterson et al.	7,131,700 B2	11/2006	Knoblock et al.
6,086,156 A	7/2000	Breen et al.	D535,505 S	1/2007	Cai
6,113,192 A	9/2000	Schneider	7,159,947 B1	1/2007	Lee
6,125,521 A	10/2000	Stumpf et al.	D541,062 S	4/2007	Su
D436,456 S	1/2001	Neil	7,201,449 B2	4/2007	Tsai
6,178,595 B1	1/2001	Marinoni	D543,040 S	5/2007	Hara
6,199,947 B1	3/2001	Wiklund	D543,042 S *	5/2007	Hara ..... D6/366
6,220,661 B1	4/2001	Peterson	7,213,880 B2	5/2007	Schmitz et al.
D446,033 S	8/2001	Koepke et al.	7,213,886 B2	5/2007	Schmitz et al.
D451,294 S *	12/2001	Simons et al. .... D6/366	7,216,936 B2	5/2007	Peterson
D451,723 S	12/2001	Grove	D543,717 S	6/2007	Chen
6,364,415 B1	4/2002	Mori et al.	D544,722 S	6/2007	Scheper et al.
6,382,719 B1	5/2002	Heidmann et al.	D545,582 S	7/2007	Wu
6,386,634 B1	5/2002	Stumpf et al.	7,249,802 B2	7/2007	Schmitz et al.
6,394,546 B1	5/2002	Knoblock et al.	D548,474 S	8/2007	Fancelli
6,394,548 B1	5/2002	Battey et al.	D548,994 S	8/2007	Mao
6,394,549 B1	5/2002	DeKraker et al.	D549,473 S	8/2007	Wagner
6,419,318 B1	7/2002	Albright et al.	D549,474 S	8/2007	Wagner
6,460,932 B1	10/2002	Koish et al.	D549,976 S	9/2007	Lin
6,471,294 B1	10/2002	Dammermann et al.	D550,976 S *	9/2007	Bellini et al. .... D6/366
6,499,801 B1	12/2002	Peterson et al.	7,270,378 B2	9/2007	Wilkerson et al.
6,502,904 B1	1/2003	Hansen	7,273,253 B2	9/2007	Deimen et al.
6,508,509 B2	1/2003	Peterson	D552,857 S	10/2007	Wang
6,572,190 B2	6/2003	Koepke et al.	7,281,764 B2	10/2007	Thole
6,588,842 B2	7/2003	Stumpf et al.	D554,877 S	11/2007	Tsai
6,609,755 B2	8/2003	Koepke et al.	D557,024 S	12/2007	Chen
6,616,228 B2	9/2003	Heidmann	D557,027 S	12/2007	Hara
6,619,746 B2	9/2003	Roslund, Jr. et al.	D557,914 S	12/2007	Ong
D482,205 S	11/2003	English et al.	D557,950 S	12/2007	Lu
6,644,749 B2	11/2003	VanDerRiet et al.	7,303,232 B1	12/2007	Chen
6,669,292 B2	12/2003	Koepke et al.	D558,492 S	1/2008	Lu
D486,656 S	2/2004	Su	7,334,845 B2	2/2008	Peterson et al.
6,688,690 B2	2/2004	Watson et al.	7,360,835 B2	4/2008	Tubergen et al.
D487,359 S	3/2004	Giugiaro	7,360,839 B1	4/2008	Chen
6,702,390 B2	3/2004	Stumpf et al.	7,367,622 B2	5/2008	Roslund et al.
6,709,060 B1	3/2004	Su	D571,569 S	6/2008	Fancelli
6,722,741 B2	4/2004	Stumpf et al.	D572,493 S	7/2008	Zhang
6,726,278 B1	4/2004	Albright et al.	D573,361 S	7/2008	Kung
6,726,286 B2	4/2004	Stumpf et al.	D576,809 S	9/2008	Christianson et al.
6,729,691 B2	5/2004	Koepke et al.	D576,813 S *	9/2008	Baldanzi et al. .... D6/366
6,733,080 B2	5/2004	Stumpf et al.	D576,814 S	9/2008	Baldanzi et al.
D490,994 S	6/2004	Schmitz et al.	7,419,222 B2	9/2008	Schmitz et al.
6,758,523 B2	7/2004	VanDeRiet et al.	7,425,037 B2	9/2008	Schmitz et al.
D493,626 S	8/2004	James	7,425,039 B2	9/2008	Lin
D493,627 S	8/2004	Ma	7,427,105 B2	9/2008	Knoblock et al.
6,779,839 B2	8/2004	Andreasson et al.	7,434,879 B2	10/2008	Ueda et al.
D496,812 S	10/2004	Chu	7,494,188 B1	2/2009	Lin
D497,264 S	10/2004	Aubriet et al.	7,500,718 B2	3/2009	Fookes
D499,564 S	12/2004	Meda	7,517,009 B2	4/2009	Mauro et al.
6,837,546 B2	1/2005	VanDeRiet et al.	7,527,335 B2	5/2009	Eberlein et al.
6,857,704 B2	2/2005	Stenzel et al.	7,533,939 B2	5/2009	Fookes et al.
6,874,852 B2	4/2005	Footitt	D593,345 S	6/2009	Schweikarth et al.
6,880,215 B2	4/2005	Peterson	7,549,704 B1	6/2009	Chou et al.
D507,124 S	7/2005	Yang	D597,329 S *	8/2009	Tanaka et al. .... D6/366
D507,423 S	7/2005	Beaulieu et al.	7,594,700 B2	9/2009	Stumpf et al.
6,913,315 B2	7/2005	Ball et al.	D601,830 S	10/2009	Egger
D507,910 S	8/2005	Bock	7,604,298 B2	10/2009	Peterson et al.
6,942,300 B2	9/2005	Numa et al.	7,625,045 B2	12/2009	Hatcher et al.
6,945,601 B1	9/2005	Wu	D610,822 S	3/2010	Chen
6,948,775 B2	9/2005	Tsai	D613,087 S *	4/2010	Fujita ..... D6/366
6,955,402 B2	10/2005	VanDeRiet et al.	7,744,159 B2	6/2010	Lee
6,966,604 B2	11/2005	Stumpf et al.	7,798,573 B2	9/2010	Pennington et al.
D512,232 S	12/2005	Wu	7,806,481 B2	10/2010	Eberlein
6,983,997 B2	1/2006	Wilkerson et al.	7,815,259 B2	10/2010	Fookes et al.
D514,832 S	2/2006	Tsai	7,828,389 B2	11/2010	Oda
D517,820 S *	3/2006	Citterio ..... D6/366	7,832,803 B2	11/2010	Cassaday
7,014,269 B2	3/2006	Coffield et al.	7,837,269 B2	11/2010	Bock
7,025,424 B2	4/2006	Harley	7,837,272 B2	11/2010	Masunaga et al.
D521,755 S	5/2006	Kinoshita et al.	7,841,665 B2	11/2010	Geister et al.
D523,252 S *	6/2006	Rodriguez Leitao ..... D6/366	7,841,666 B2	11/2010	Schmitz et al.
7,059,681 B2	6/2006	Kubo	7,857,388 B2	12/2010	Bedford et al.
			7,887,131 B2	2/2011	Chadwick et al.
			7,887,135 B2	2/2011	Oda
			D634,558 S	3/2011	Deisig
			7,922,248 B2	4/2011	Aldrich et al.

# US D690,146 S

Page 3

D638,635 S	5/2011	Sander et al.	2008/0122284 A1*	5/2008	Yang ..... 297/452.56
7,980,631 B2	7/2011	Diffrient	2009/0021069 A1	1/2009	Hentschel et al.
8,016,360 B2	9/2011	Machael et al.	2010/0007190 A1	1/2010	Johnson et al.
8,029,066 B2	10/2011	Su	2010/0237679 A1	9/2010	Tsukiji et al.
8,038,212 B2	10/2011	Vickers et al.	2010/0244521 A1*	9/2010	Ueda ..... 297/298
D648,947 S *	11/2011	Ong ..... D6/366	2010/0276978 A1	11/2010	Furuta et al.
8,061,778 B2	11/2011	Machael et al.	2011/0012395 A1	1/2011	Roslund et al.
D650,617 S	12/2011	Chen	2011/0198907 A1	8/2011	Masunaga et al.
D653,467 S	2/2012	Ballendat	2011/0248543 A1	10/2011	Hitchcock et al.
D654,709 S	2/2012	Fujita	FOREIGN PATENT DOCUMENTS		
D654,711 S	2/2012	Fujita	EP	2233043	9/2010
D655,523 S *	3/2012	Neil ..... D6/366	EP	2491821	8/2012
D655,524 S	3/2012	Kim	JP	11290154	10/1999
D657,166 S	4/2012	Behar et al.	JP	2004155269	6/2004
D657,594 S	4/2012	Knight et al.	KR	20130019549	2/2013
2002/0003368 A1	1/2002	VanDeRiet et al.	WO	2013051951	4/2013
2002/0074843 A1	6/2002	Malschet et al.	OTHER PUBLICATIONS		
2003/0030317 A1	2/2003	Chen	Werndl #1 Brochure.		
2003/0047980 A1	3/2003	Vassallo	Steelcase Please Chair Brochure.		
2004/0000805 A1	1/2004	VanDeRiet et al.	* cited by examiner		
2004/0155503 A1	8/2004	Stumpf et al.			
2005/0052061 A1	3/2005	Deimen et al.			
2005/0062323 A1	3/2005	Dicks			
2005/0127735 A1	6/2005	Munsch			

FIG. 1



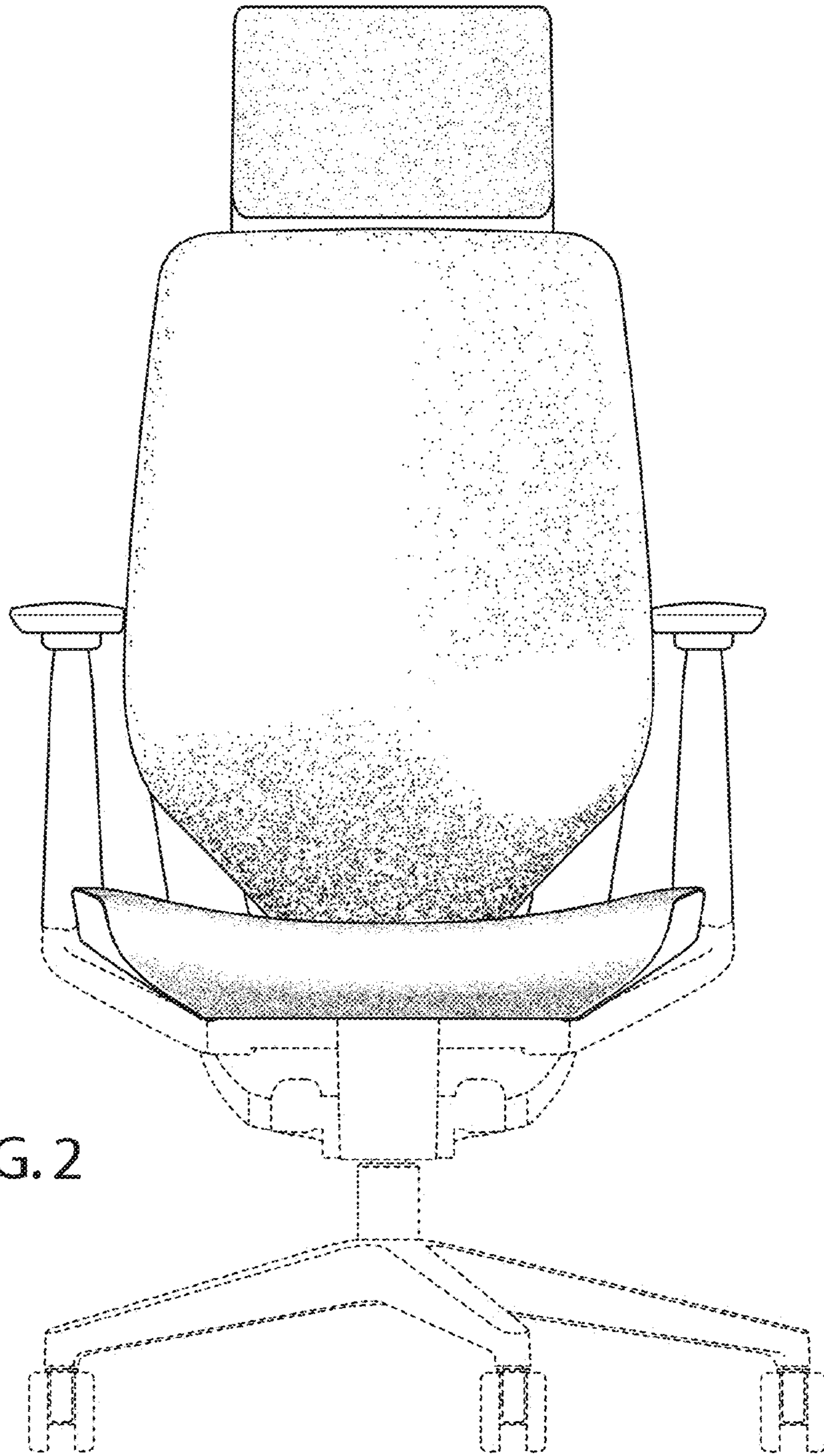
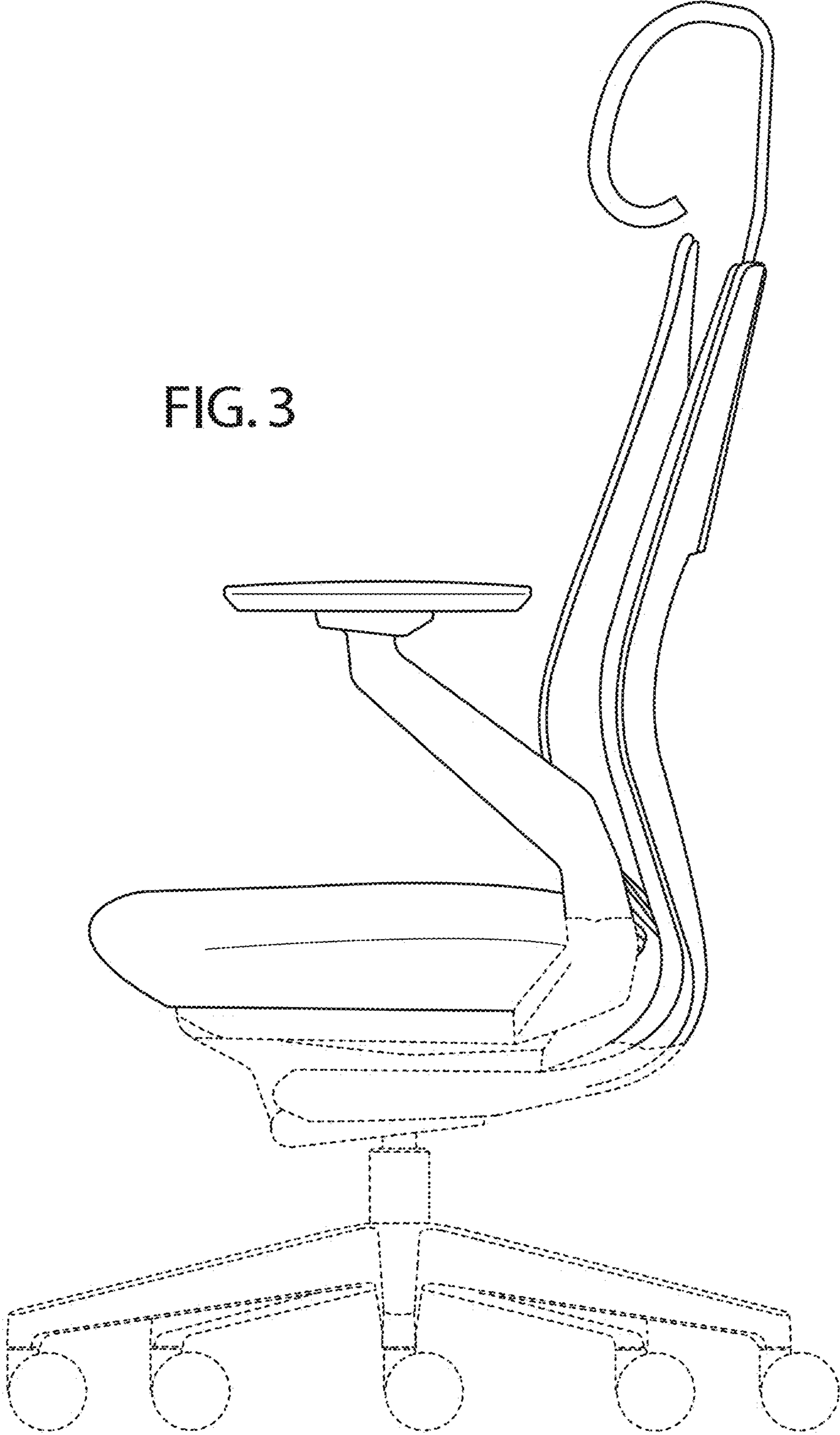


FIG. 2

FIG. 3



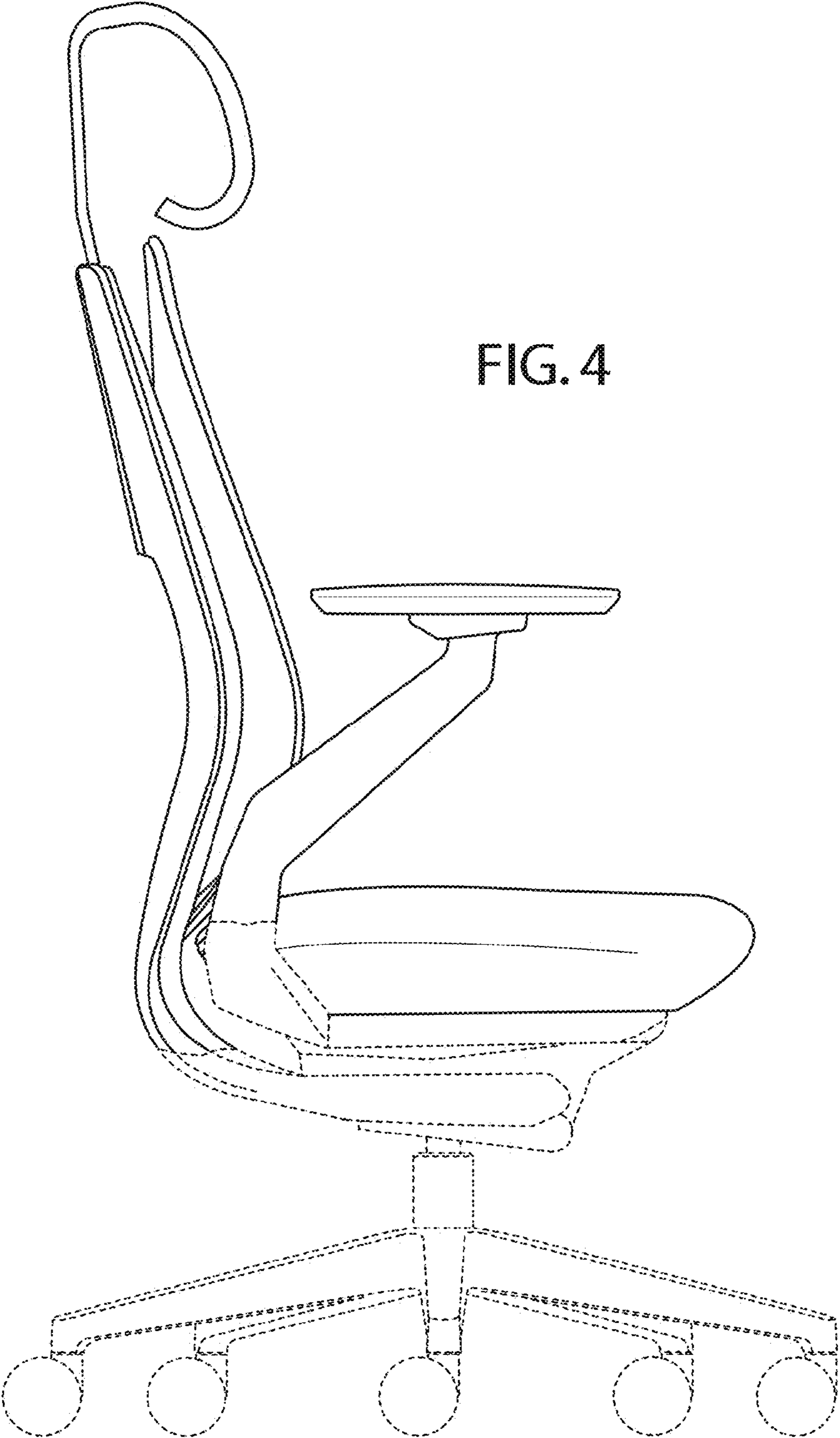


FIG. 4

FIG. 5

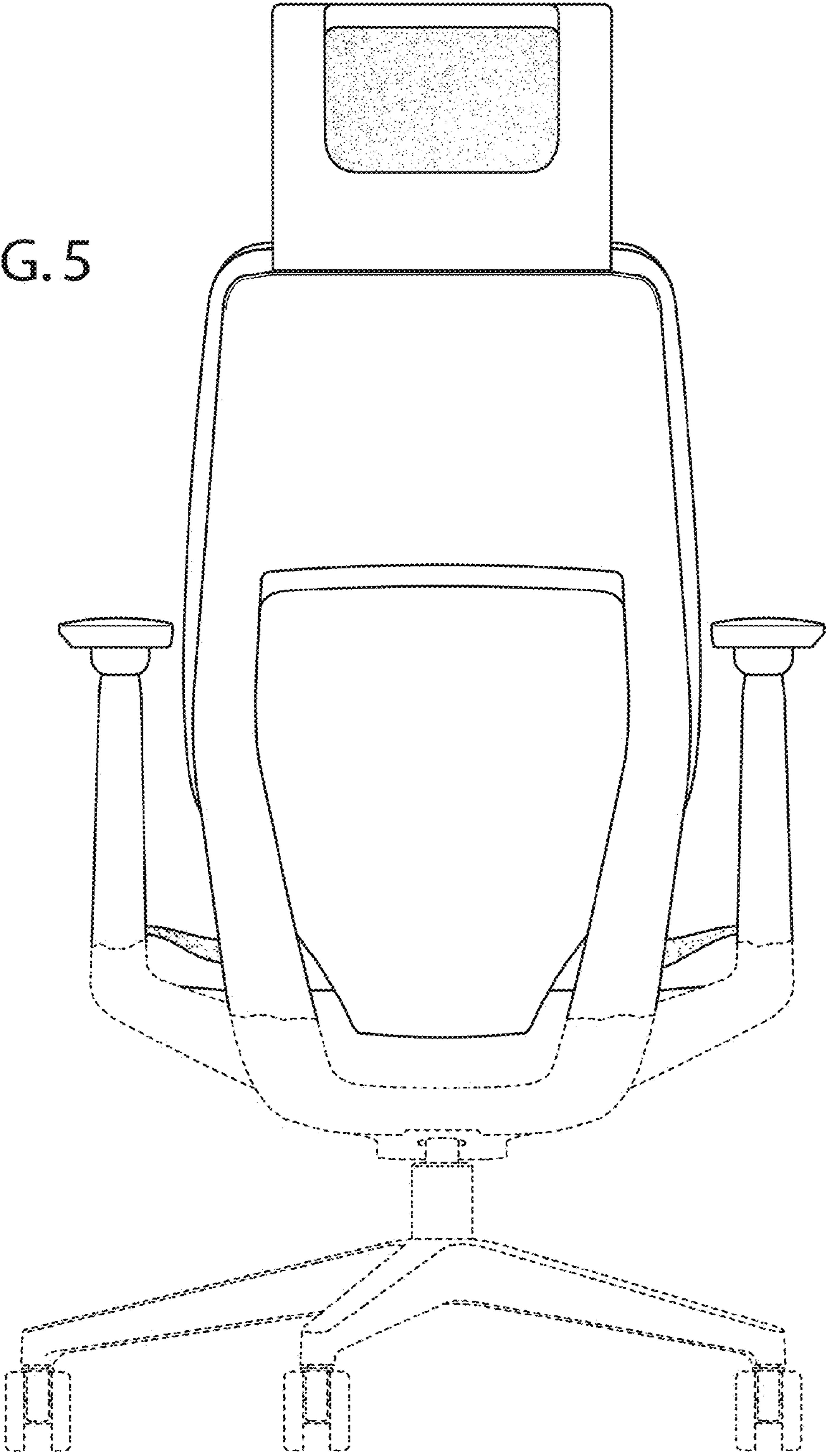




FIG. 6

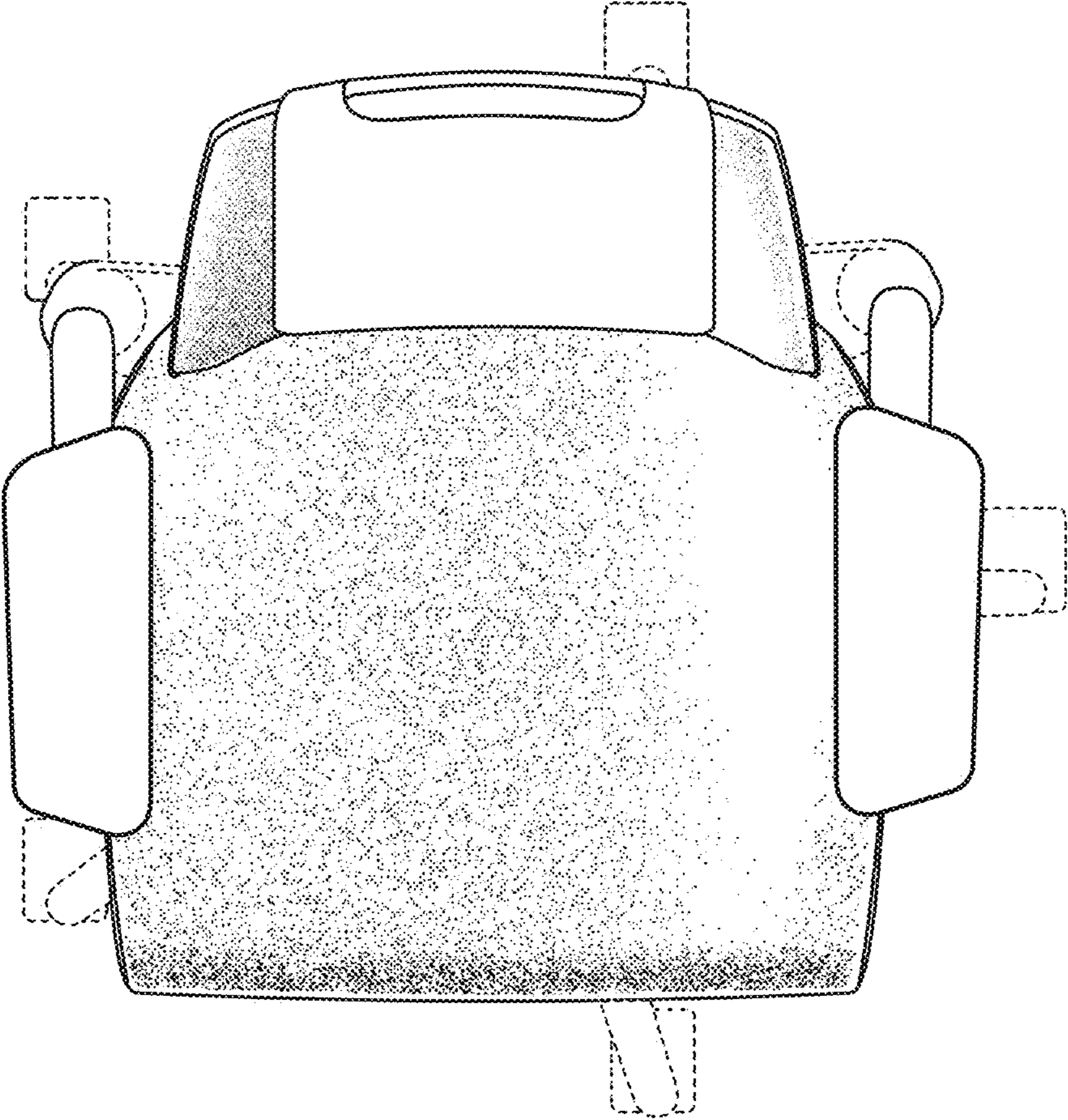


FIG. 7

