



US00D690145S

(12) **United States Design Patent**  
**Pedersen et al.**

(10) **Patent No.:** **US D690,145 S**  
(45) **Date of Patent:** **\*\* Sep. 24, 2013**

(54) **CHAIR**

(71) Applicant: **Target Brands, Inc.**, Minneapolis, MN (US)

(72) Inventors: **Sara L. Pedersen**, Minneapolis, MN (US); **Katherine R. Wittenberg**, Saint Paul, MN (US); **Chad M. Bogdan**, Saint Paul, MN (US); **George K. Smithwick**, Blaine, MN (US)

(73) Assignee: **Target Brands, Inc.**, Minneapolis, MN (US)

(\*\*) Term: **14 Years**

(21) Appl. No.: **29/436,469**

(22) Filed: **Nov. 6, 2012**

(51) **LOC (9) Cl.** ..... **06-01**

(52) **U.S. Cl.**  
USPC ..... **D6/716; D6/365**

(58) **Field of Classification Search**  
USPC ..... D6/334-336, 364, 365, 369, 370, D6/371-373, 374, 379, 380, 716, 716.1, 716.2, D6/716.3, 716.4; 297/344.25, 344.26, 411.42, 297/411.45, 445.1, 446.1, 451.9, 452.63, 297/452.64

See application file for complete search history.

(56) **References Cited**

**U.S. PATENT DOCUMENTS**

D414,947 S	10/1999	Liu	
D433,576 S *	11/2000	Hutton	D6/370
D459,595 S	7/2002	Hoffmann	
D460,645 S *	7/2002	Sabo	D6/716.4
D525,798 S *	8/2006	Lowsky	D6/370
D530,934 S *	10/2006	Tseng	D6/365
D547,079 S *	7/2007	Wang	D6/369
D547,082 S *	7/2007	Wang	D6/379
D557,030 S *	12/2007	Wang	D6/369

D572,030 S *	7/2008	Lowsky	D6/369
D574,620 S *	8/2008	Lowsky	D6/379
D588,370 S	3/2009	Vallet et al.	
D609,485 S	2/2010	Lowsky	
D610,364 S	2/2010	Lowsky	
7,967,383 B2 *	6/2011	LaPointe	297/344.26
D664,784 S *	8/2012	Adir	D6/369

**OTHER PUBLICATIONS**

Firetainment, "Barbados Patio Swivel Rocking/Dining Chair," <http://firetainment.com/store/outdoor-furniture/barbados-patio-swivel-rocking-dining-chair-in-available-in-viro-white-wash-finish/>, 1 page, at least as early as Aug. 2012.

Gloster, "Pacific Deep Seating High Back Swivel Rocker," <http://www.gloster.com/gla/collections/pacific-deep-seating-high-back-swivel-rocker>, 1 page, at least as early as Aug. 2012.

Amazon, "Grenada Patio Swivel Rocking Outdoor Dining Chair by Hospitality Rattan," <http://www.amazon.com/Grenada-Rocking-Outdoor-Hospitality-Rattan/dp/B004WS3KEY>, 1 page, at least as early as Aug. 2012.

(Continued)

*Primary Examiner* — Mimoso De

(74) *Attorney, Agent, or Firm* — Theodore M. Magee; Westman, Champlin & Kelly, P.A.

(57) **CLAIM**

The ornamental design for a chair, as shown and described.

**DESCRIPTION**

FIG. 1 is a perspective view of a chair; FIG. 2 is a side view thereof, the opposing side being a mirror image;

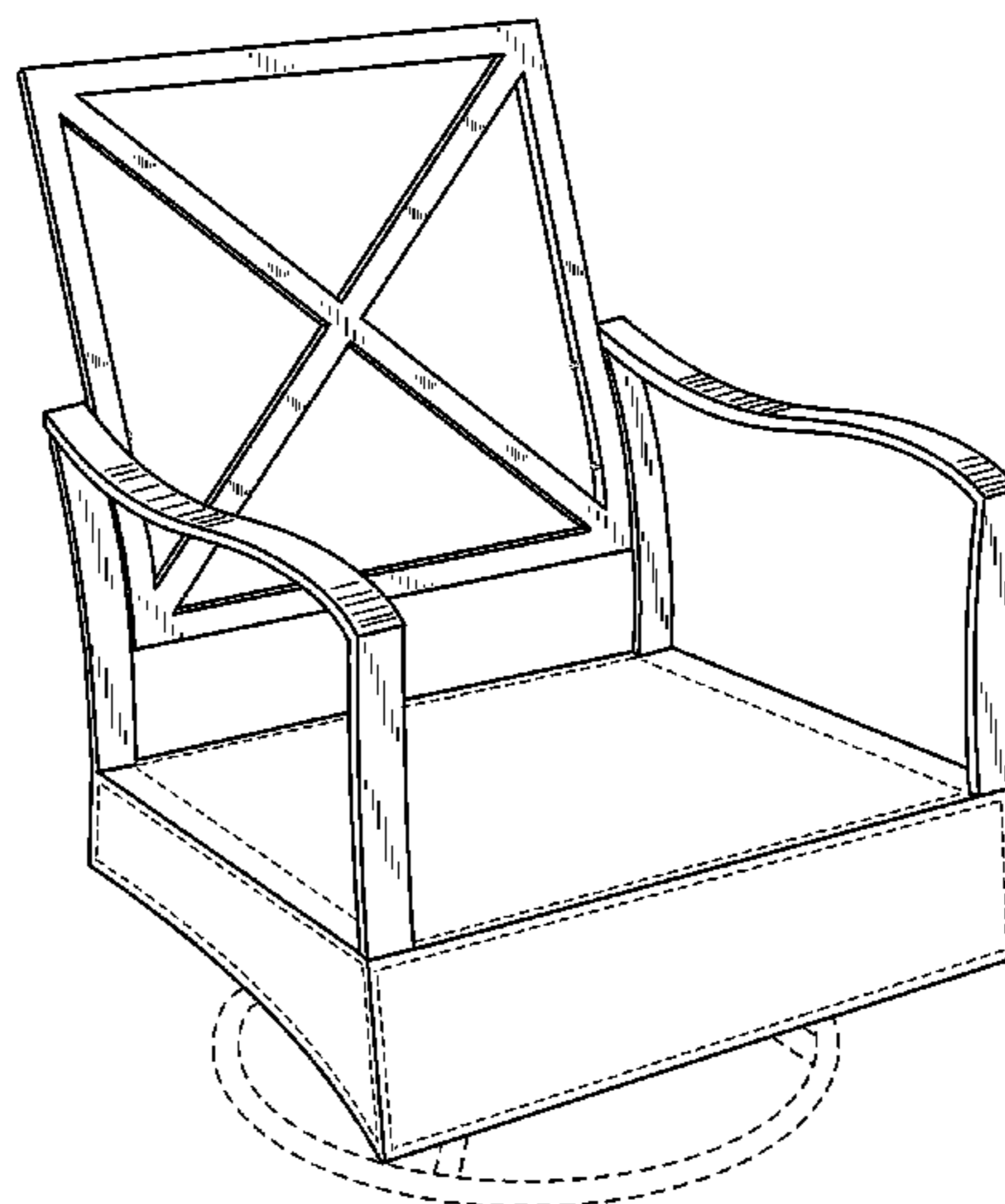
FIG. 3 is a front view thereof;

FIG. 4 is a rear view thereof; and,

FIG. 5 is a top view thereof.

The broken lines shown in the drawings are included for purposes of illustrating portions of the chair and form no part of the claimed design.

**1 Claim, 5 Drawing Sheets**



(56)

**References Cited**

OTHER PUBLICATIONS

PatioFurnitureUSA, "Panama Jack St. Barths Stackable Swivel Dining Chair," <http://www.patiofurnitureusa.com/outdoor-chairs/outdoor-dining-chairs/panamajackstbarthsstackableswiveldiningchairbrownpinewithvirofiber.cfm>, 1 page, at least as early as Aug. 2012.

PatioFurnitureUSA, "Woodard Sheridan Cushion Swivel Rocker," <http://www.patiofurnitureusa.com/outdoor-chairs/outdoor-dining-chairs/woodardsheridancushionswivelrockerslatbacksetof2.cfm>, 1 page, at least as early as Aug. 2012.

Summer Classics, "St. Croix Swivel Glider," [www.summerclassics.com/Shop/24946/244317/St.-Croix-Swivel-Glider/page/1](http://www.summerclassics.com/Shop/24946/244317/St.-Croix-Swivel-Glider/page/1), 1 page, at least as early as Aug. 2012.

Thos. Baker, "Newport Motion Club Chair w/ cushions," <http://www.thosbaker.com/patio-aluminum-motion-club-chair-with-cushions-newport>, 1 page, at least as early as Aug. 2012.

Summer Classics, "Westport Spring Lounge," <http://www.summerclassics.com/Shop/24963/244644/Westport-Spring-Lounge/page/1>, 1 page, at least as early as Aug. 2012.

\* cited by examiner

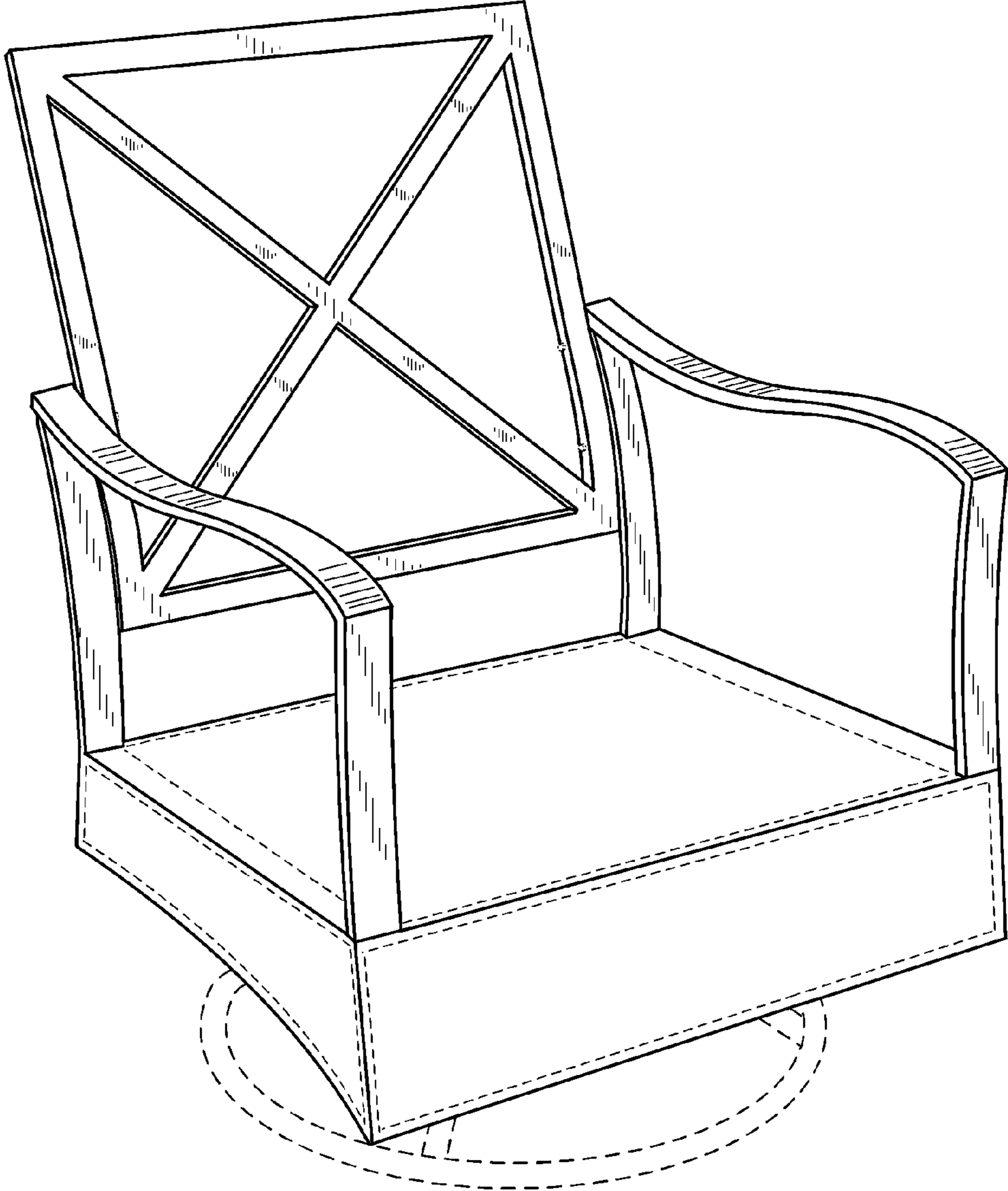


FIG. 1

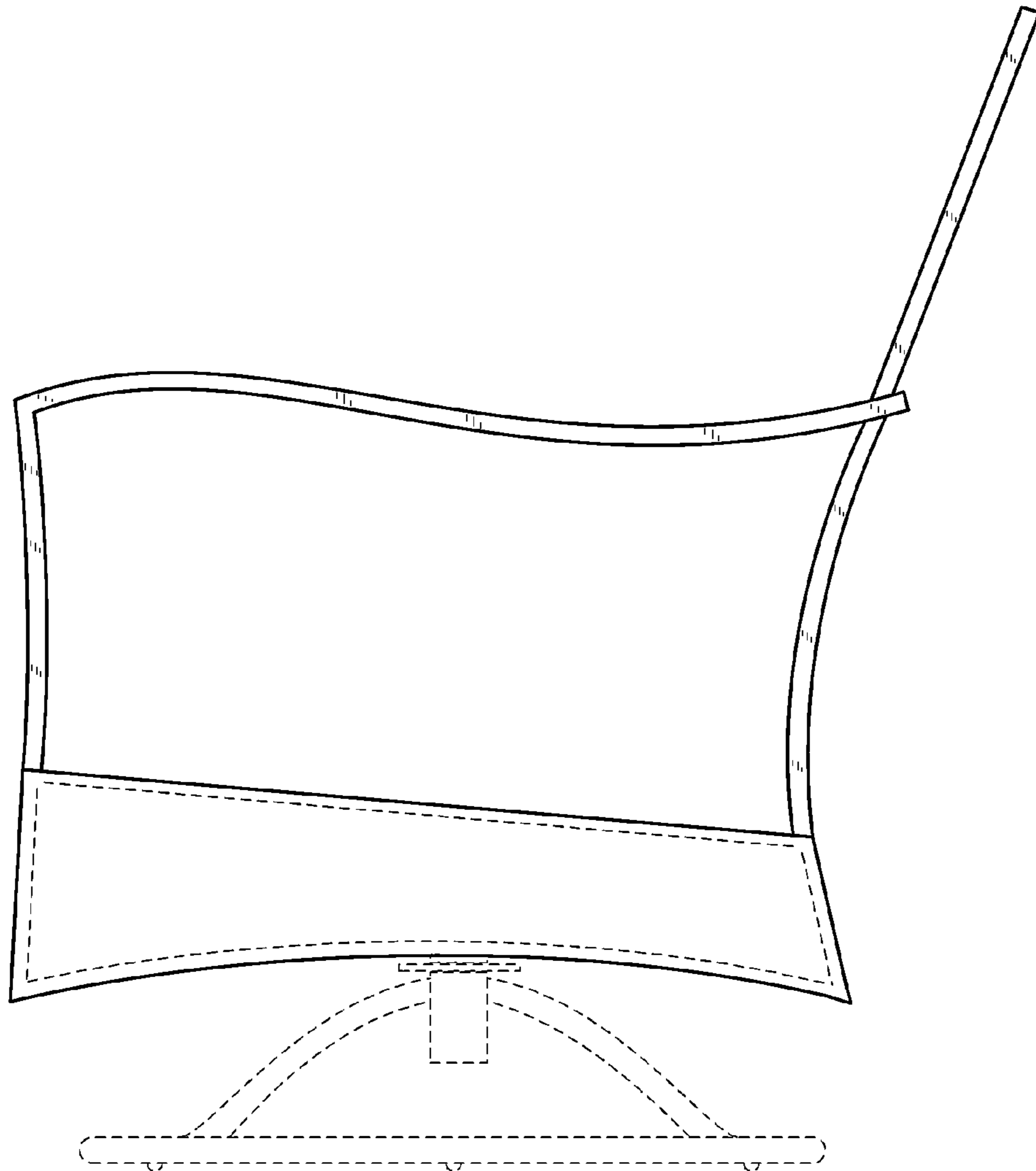


FIG. 2

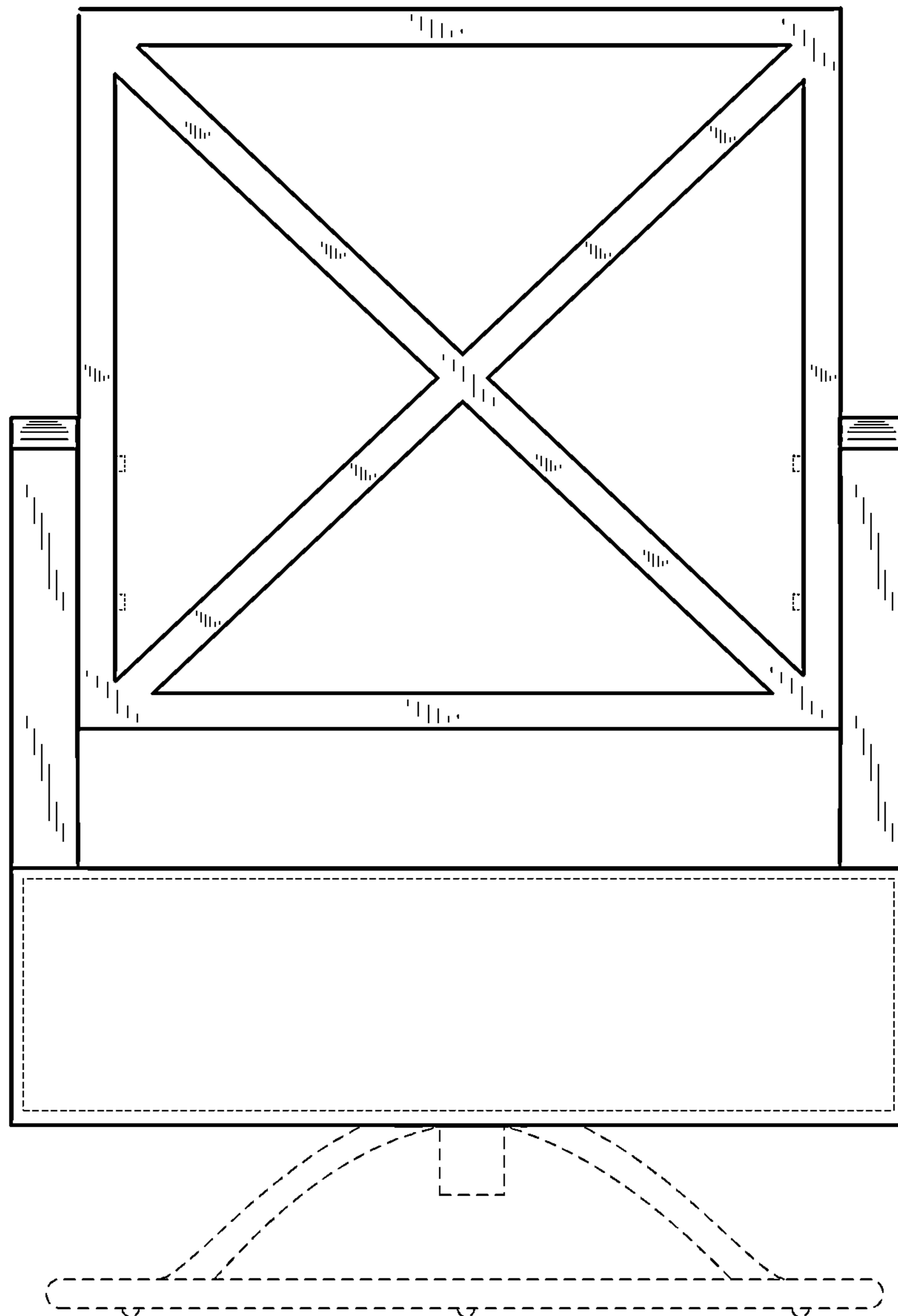


FIG. 3

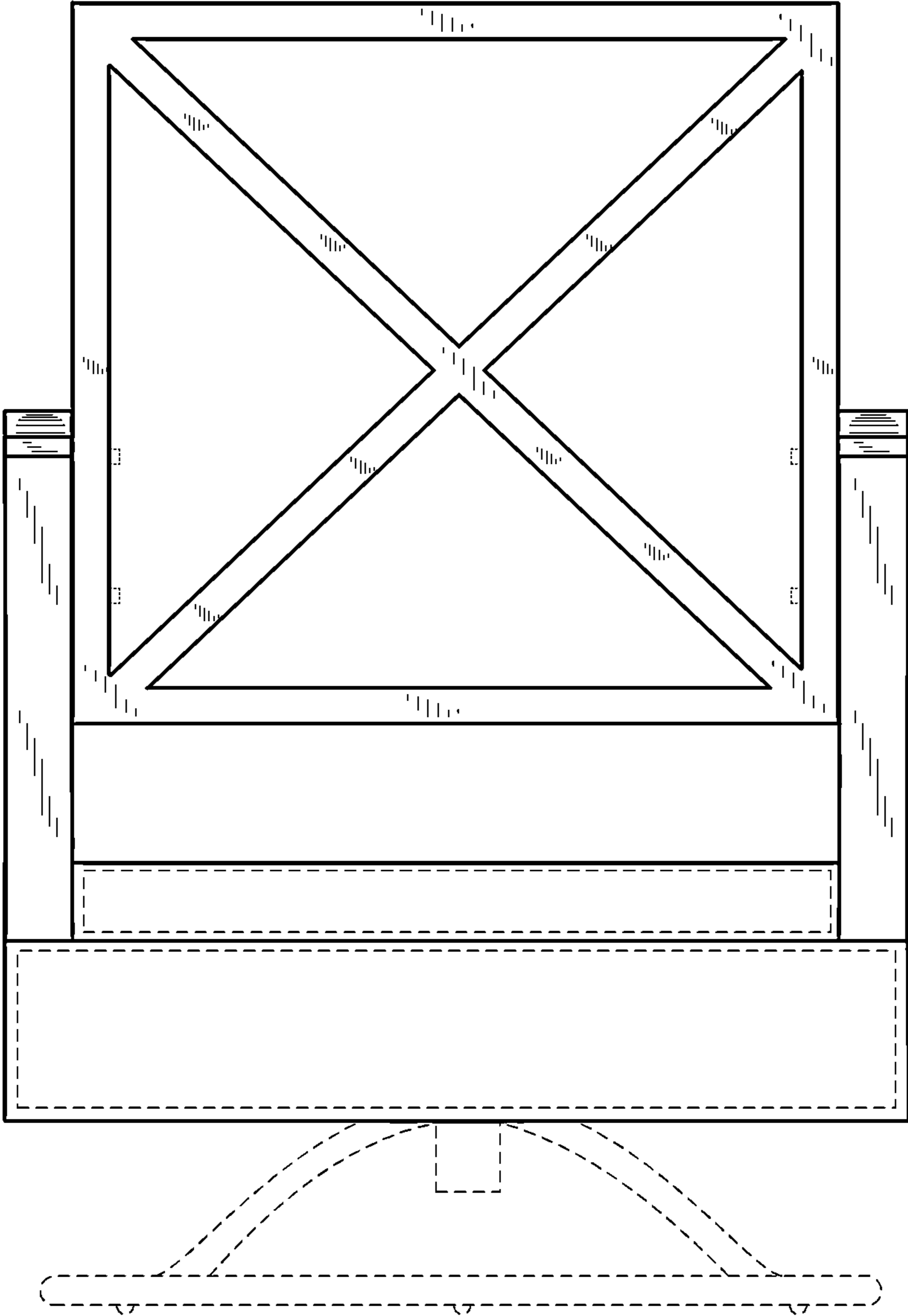


FIG. 4

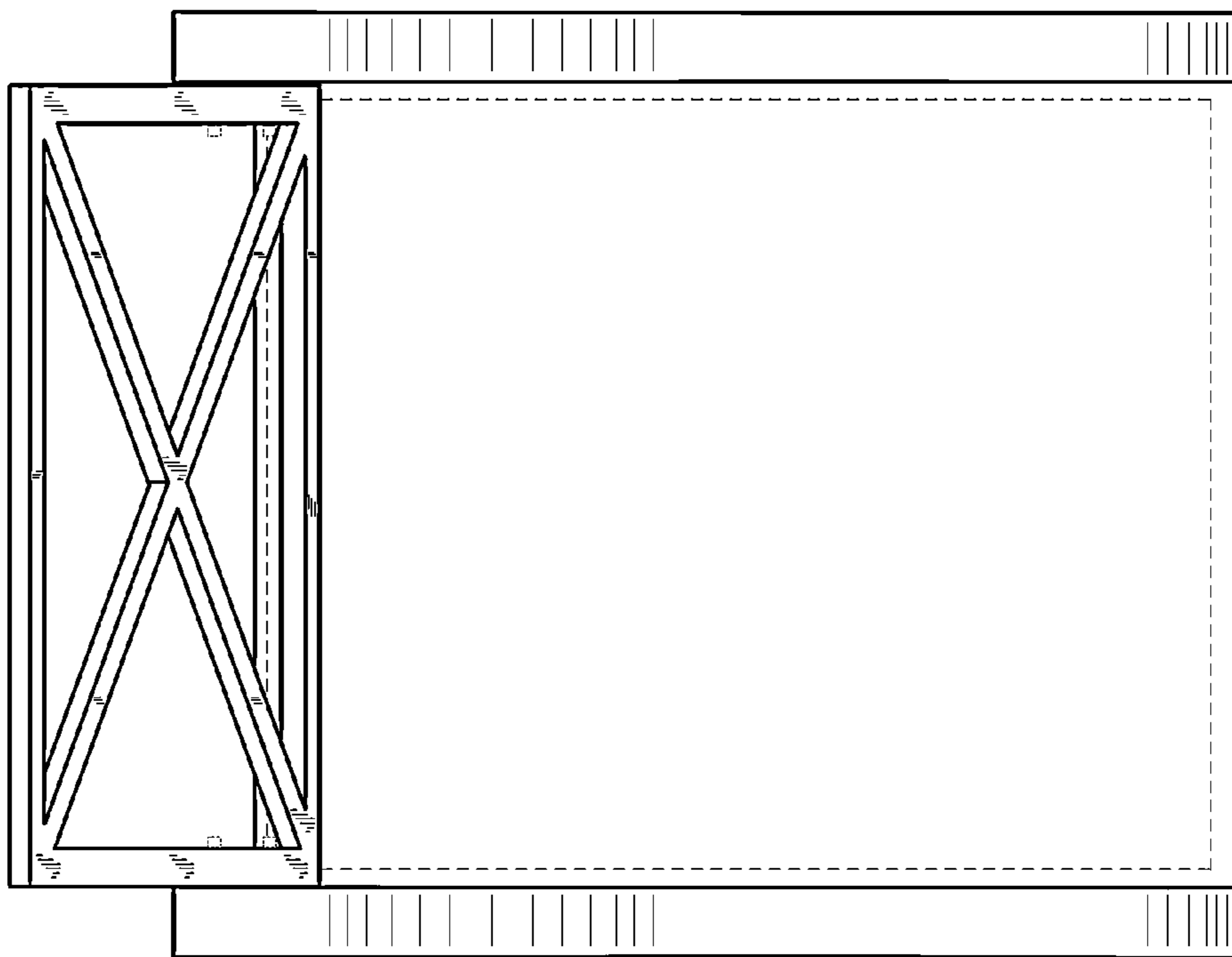


FIG. 5