



US00D690142S

(12) **United States Design Patent**
Arko et al.

(10) **Patent No.:** **US D690,142 S**
(45) **Date of Patent:** **** Sep. 24, 2013**

(54) **FURNITURE PIECE**
(75) Inventors: **Robert Peter Arko**, San Francisco, CA (US); **John R. Hamilton**, San Rafael, CA (US); **Justin Champaign**, San Francisco, CA (US)
(73) Assignee: **Steelcase, Inc.**, Grand Rapids, MI (US)
(**) Term: **14 Years**
(21) Appl. No.: **29/390,340**
(22) Filed: **Apr. 22, 2011**
(51) **LOC (9) Cl.** **06-06**
(52) **U.S. Cl.**
USPC **D6/681**
(58) **Field of Classification Search**
USPC D6/335-336, 349, 396-397, 440, D6/476, 484-485, 673, 675, 681; D34/17, D34/21; 297/188.09, 188.1, 461-462; 248/188, 188.1
See application file for complete search history.

D422,812 S 4/2000 Thompson et al.
D423,237 S * 4/2000 Chang D6/336
6,113,182 A * 9/2000 Wise 297/119
D431,737 S 10/2000 Veeley et al.
D437,152 S 2/2001 Brown et al.
D442,807 S 5/2001 Mathieu et al.
D452,624 S 1/2002 de Blois
D456,178 S 4/2002 Couture et al.
D458,793 S * 6/2002 Napracone D6/634
D463,681 S * 10/2002 Andersen et al. D6/449
D465,348 S 11/2002 Lucatello
D476,178 S 6/2003 Schacht et al.
D481,558 S 11/2003 Milligan
D486,015 S 2/2004 de Blois
D488,005 S 4/2004 Feng
D498,617 S 11/2004 Murphy et al.
D519,299 S 4/2006 Boudreau
D529,314 S 10/2006 Tako
D534,379 S 1/2007 Juneau
D538,061 S 3/2007 Daniel
D548,488 S 8/2007 Weatherly

(Continued)

Primary Examiner — Kelley Donnelly
(74) *Attorney, Agent, or Firm* — Quarles & Brady LLP

(56) **References Cited**

U.S. PATENT DOCUMENTS

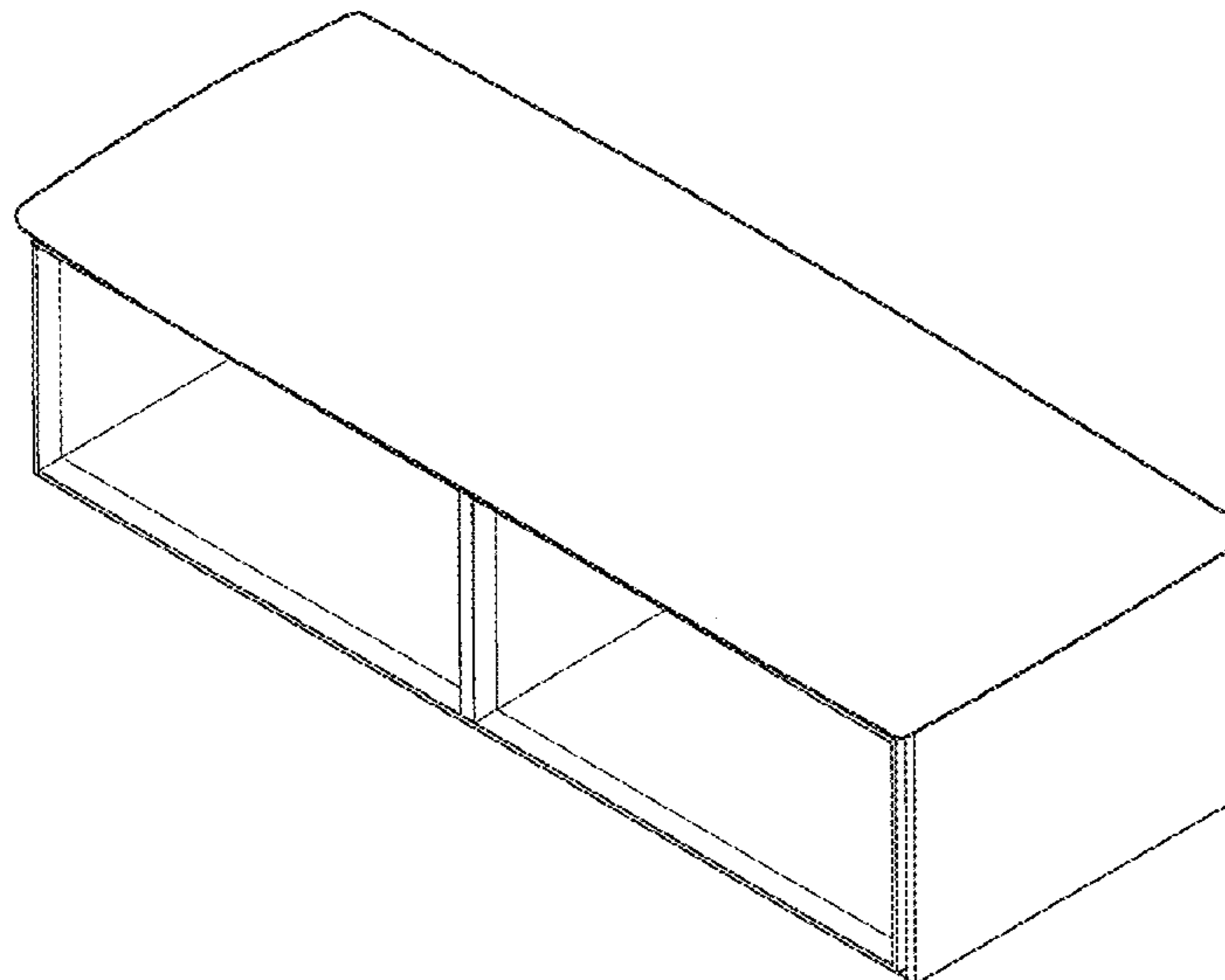
D132,947 S 7/1942 Banks
D185,544 S 6/1959 Frey
D246,142 S * 10/1977 Heumann D6/349
D249,857 S 10/1978 Adkinson
D267,988 S 2/1983 Crespi
D284,428 S * 7/1986 Raftery D6/349
D299,196 S 1/1989 Frinier
D306,106 S 2/1990 Bush et al.
D310,603 S * 9/1990 Keller D6/349
D326,198 S 5/1992 Pacetti et al.
D326,199 S * 5/1992 Heiligenthal et al. D6/477
D360,766 S 8/1995 Sacchi Lodispoto
D362,102 S 9/1995 Campbell et al.
D367,193 S 2/1996 Dame et al.
D392,815 S 3/1998 Gunthert
D415,360 S * 10/1999 Lewis D6/349

(57) **CLAIM**
The ornamental design for a furniture piece, as shown and described.

DESCRIPTION

FIG. 1 is a right, top, front perspective view of a furniture piece according to our new design;
FIG. 2 is a front elevational view thereof;
FIG. 3 is a rear elevational view thereof;
FIG. 4 is a right side elevational view thereof, the left side elevational view thereof being a mirror image of the right side shown; and,
FIG. 5 is a top plan view thereof.
The nature of this product is piece of furniture, such as a bench, cabinet, table and the like.

1 Claim, 3 Drawing Sheets



(56)

References Cited

U.S. PATENT DOCUMENTS

D549,991 S 9/2007 Stravitz
D551,465 S 9/2007 Daniel
D560,930 S 2/2008 Woodward et al.
D561,487 S * 2/2008 Schweikarth et al. D6/381
D587,488 S 3/2009 Helle
D590,153 S * 4/2009 Sapp D3/279
D591,539 S 5/2009 Bracher
D599,577 S 9/2009 Lara

D602,701 S * 10/2009 Martin et al. D6/334
D604,064 S 11/2009 Garbin
D610,314 S * 2/2010 Ault D30/118
D618,016 S 6/2010 Metcalf et al.
D620,283 S 7/2010 Calco
D623,443 S 9/2010 Zambelli
D623,877 S 9/2010 Zambelli
D625,121 S 10/2010 Vignelli et al.
D632,902 S 2/2011 Rafieha
D642,403 S * 8/2011 Wiermanski D6/440

* cited by examiner

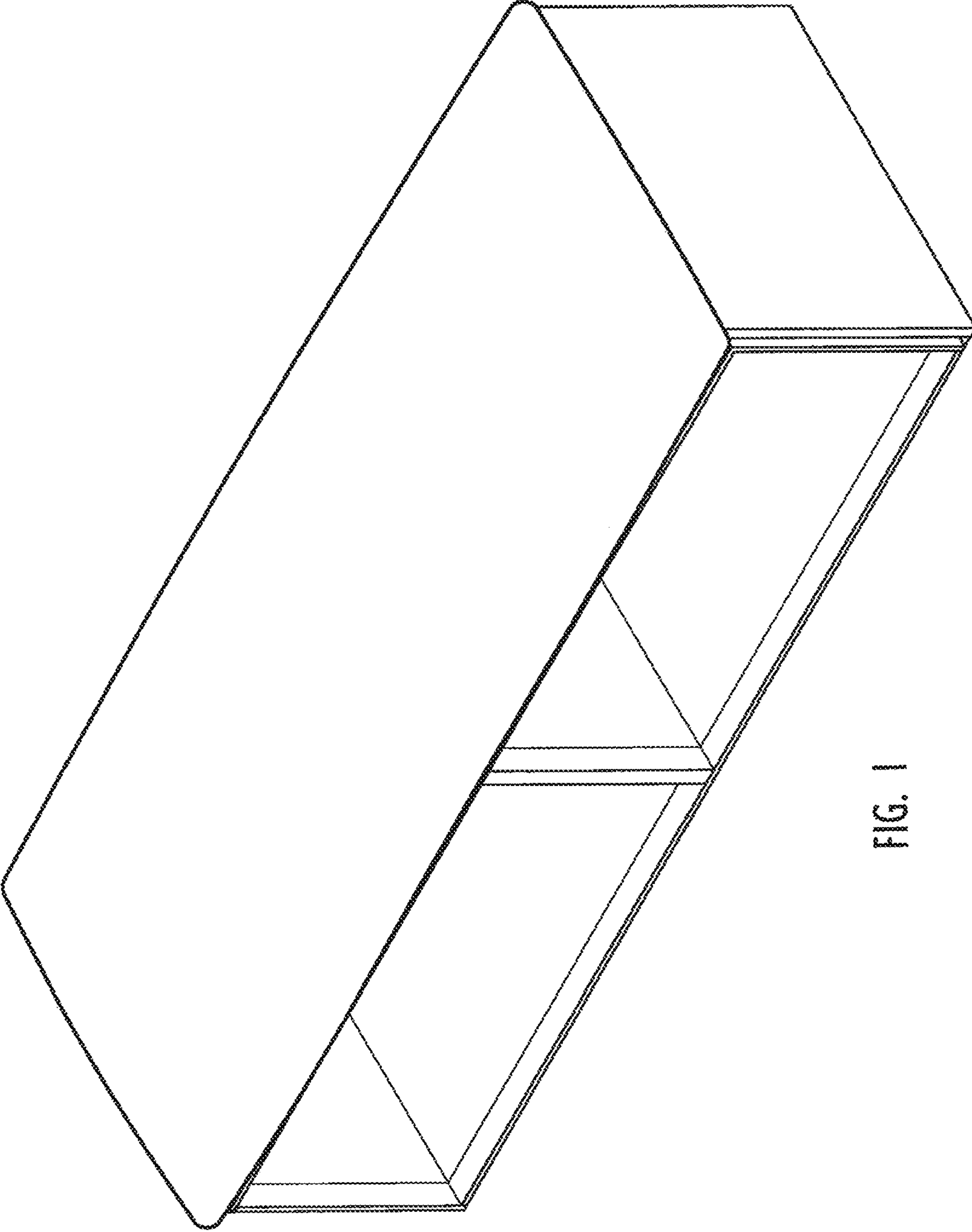


FIG. 1

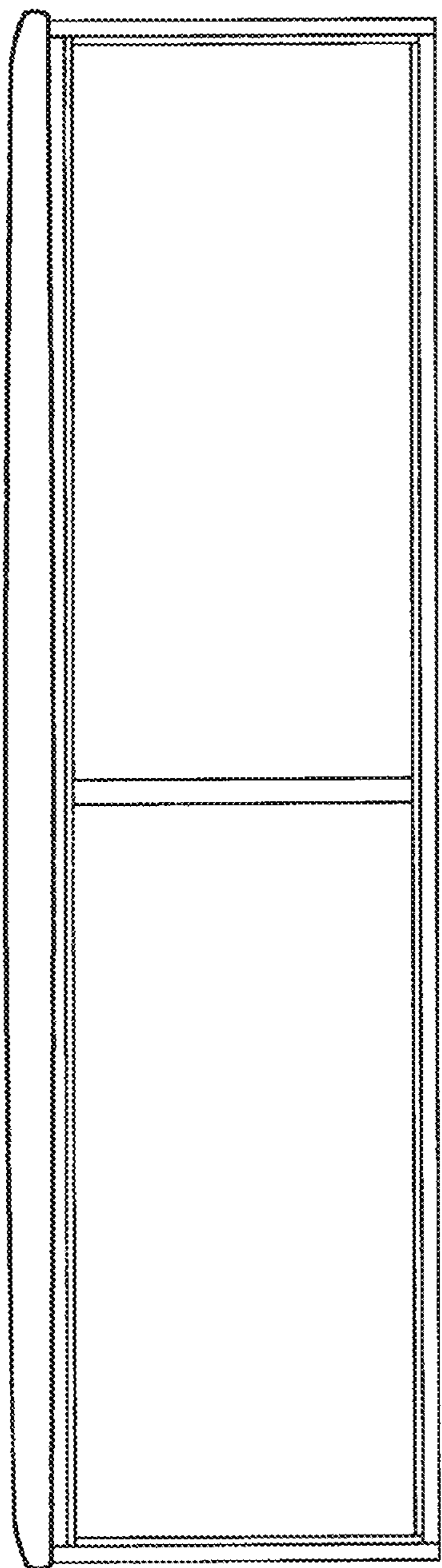


FIG. 2

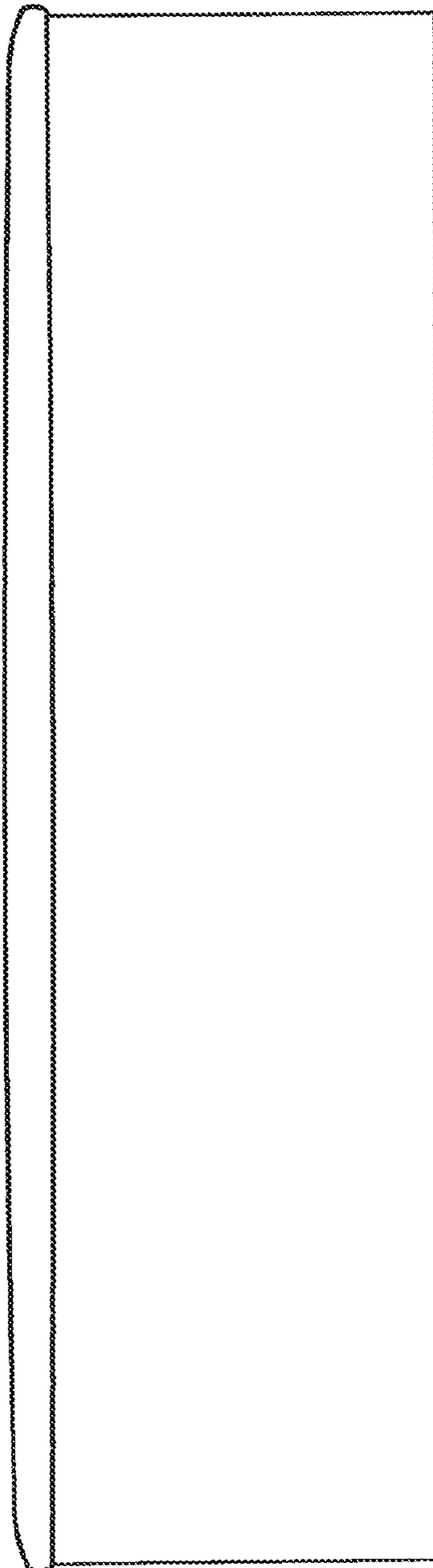


FIG. 3

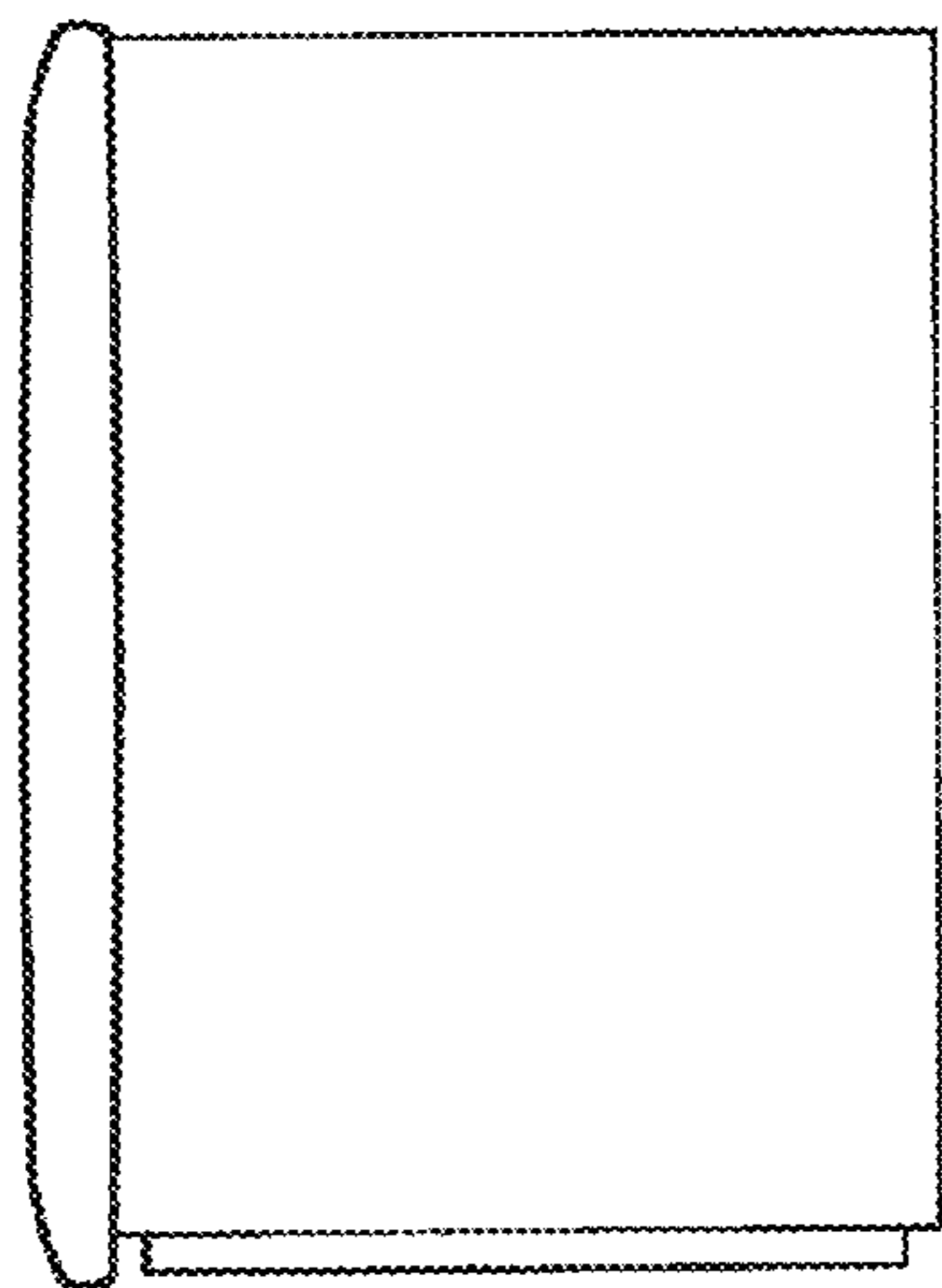


FIG. 4

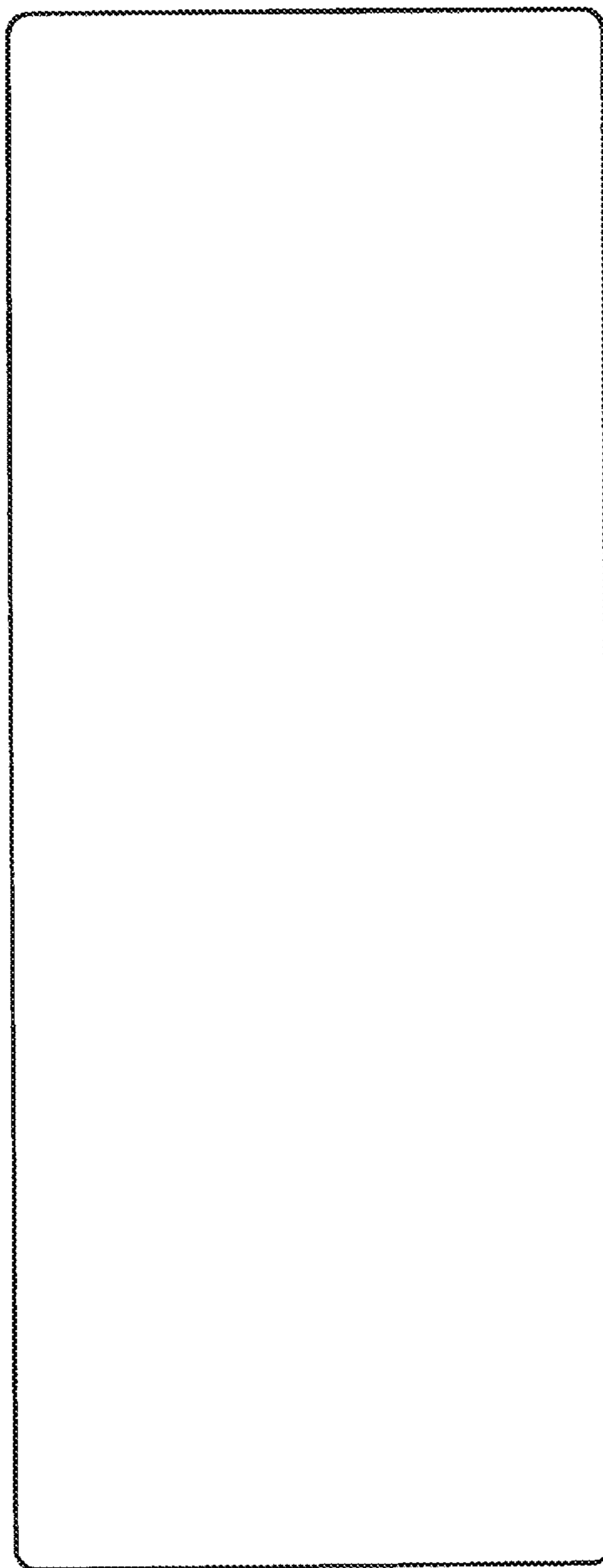


FIG. 5