



US00D690140S

(12) **United States Design Patent**
Baylar

(10) **Patent No.:** **US D690,140 S**

(45) **Date of Patent:** **** Sep. 24, 2013**

(54) **CONSOLE**

(71) Applicant: **Hudson Furniture, Inc.**, New York, NY
(US)

(72) Inventor: **Barlas Baylar**, New York, NY (US)

(73) Assignee: **Hudson Furniture, Inc.**, New York, NY
(US)

(**) Term: **14 Years**

(21) Appl. No.: **29/456,552**

(22) Filed: **May 31, 2013**

(51) **LOC (9) Cl.** **06-06**

(52) **U.S. Cl.**
USPC **D6/675**

(58) **Field of Classification Search**
USPC D6/396–397, 491–492, 509–511,
D6/672–673, 675, 675.1; D8/311.2, 311.3;
D7/601, 611, 619–620; D12/415–416; D19/61;
211/13.1, 14; 248/311.2, 311.3
See application file for complete search history.

(56) **References Cited**

U.S. PATENT DOCUMENTS

3,063,722 A * 11/1962 Overbaugh 473/389
D321,010 S * 10/1991 Healy D19/59

5,368,172 A * 11/1994 Barringer 211/85.7
D370,868 S * 6/1996 Phelps D11/131
D415,080 S * 10/1999 Schultz D12/162
D533,414 S * 12/2006 Claypool et al. D7/701
D544,727 S * 6/2007 Valdez et al. D6/466
D595,775 S * 7/2009 Weinstein D19/90
D621,182 S * 8/2010 Farley D6/469
D651,265 S * 12/2011 Guerrero D21/717
D656,997 S * 4/2012 Levin et al. D21/404
D671,336 S * 11/2012 Weldon D6/472
D671,597 S * 11/2012 Sim D20/43
D676,797 S * 2/2013 Cervini D12/415

* cited by examiner

Primary Examiner — Kelley Donnelly

(74) *Attorney, Agent, or Firm* — Baker & Rannells, PA

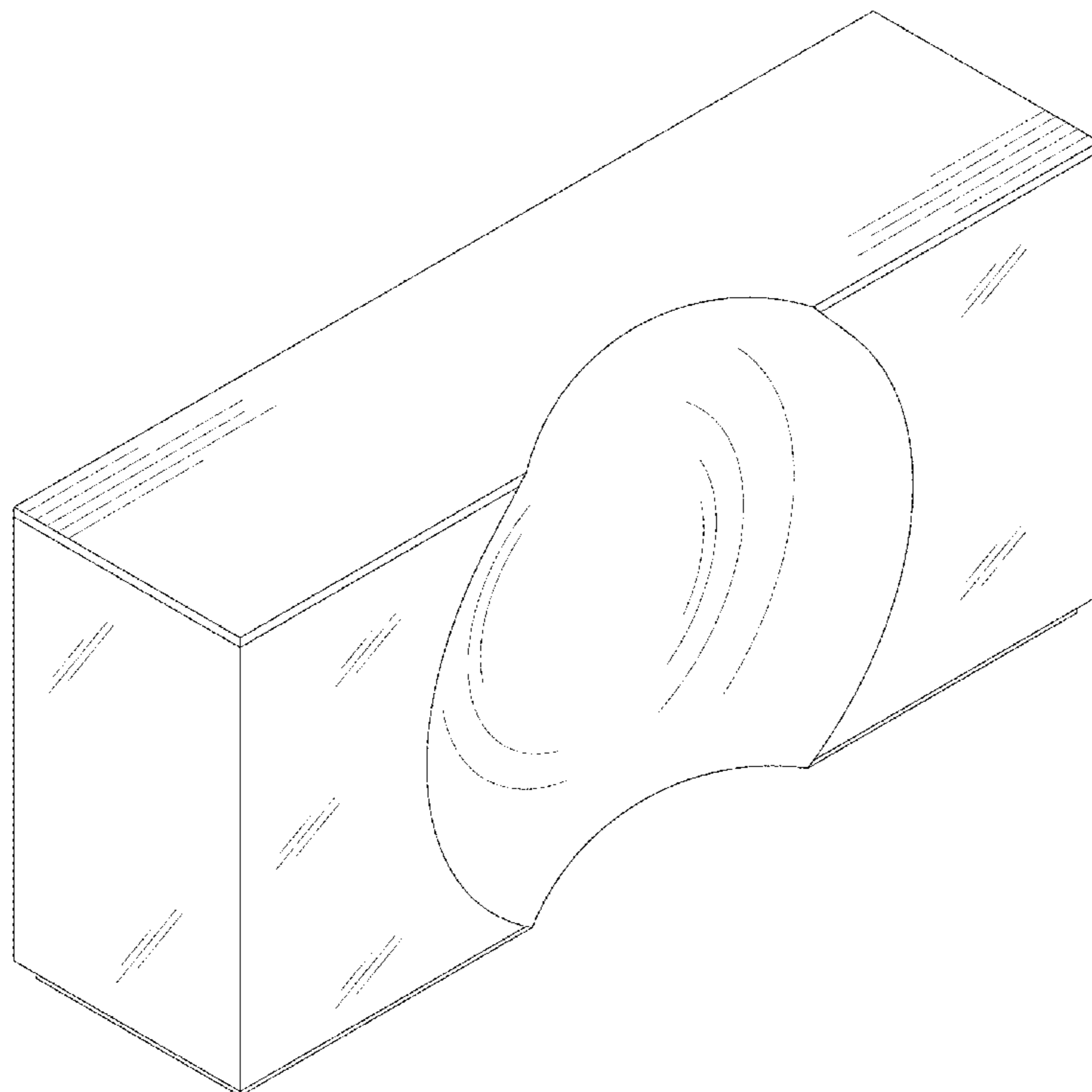
(57) **CLAIM**

The ornamental design for a console, as shown and described.

DESCRIPTION

FIG. 1 is a perspective view of a console in accordance with the new design;
FIG. 2 is a front elevational view thereof;
FIG. 3 is a rear elevational view thereof;
FIG. 4 is a right side elevational view thereof;
FIG. 5 is a left side elevational view thereof;
FIG. 6 is a top view thereof; and,
FIG. 7 is a bottom view thereof.

1 Claim, 3 Drawing Sheets



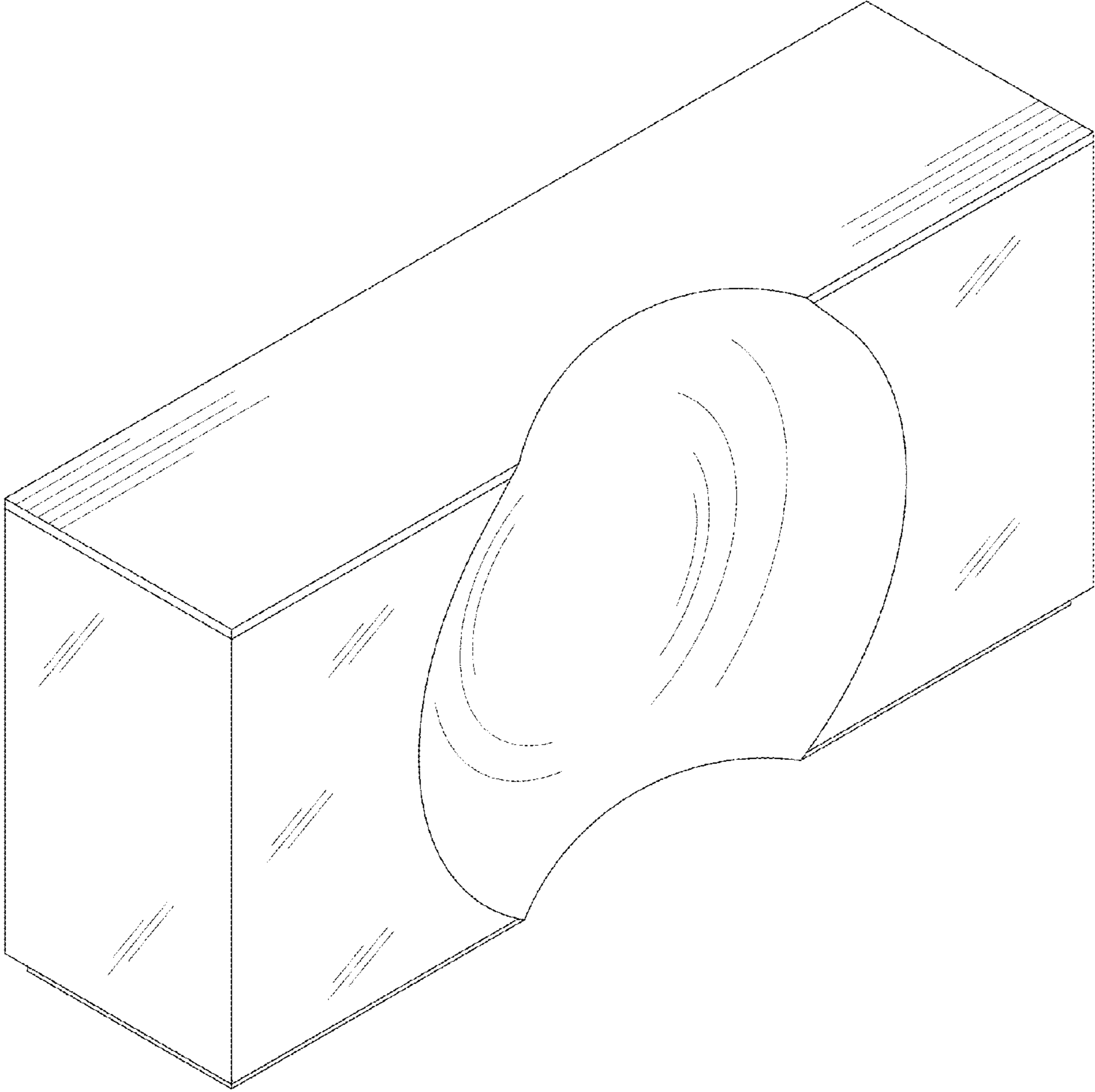


Fig. 1

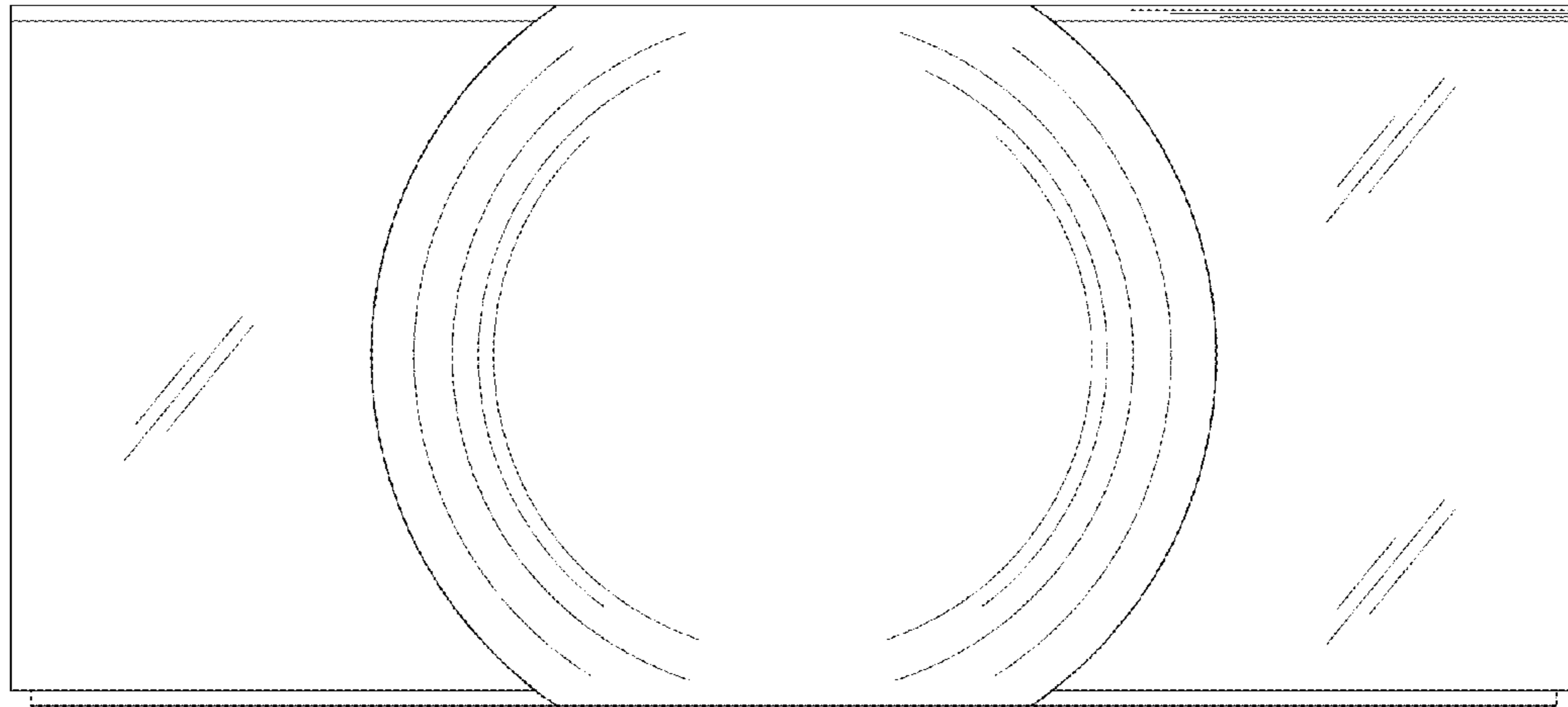


Fig. 2

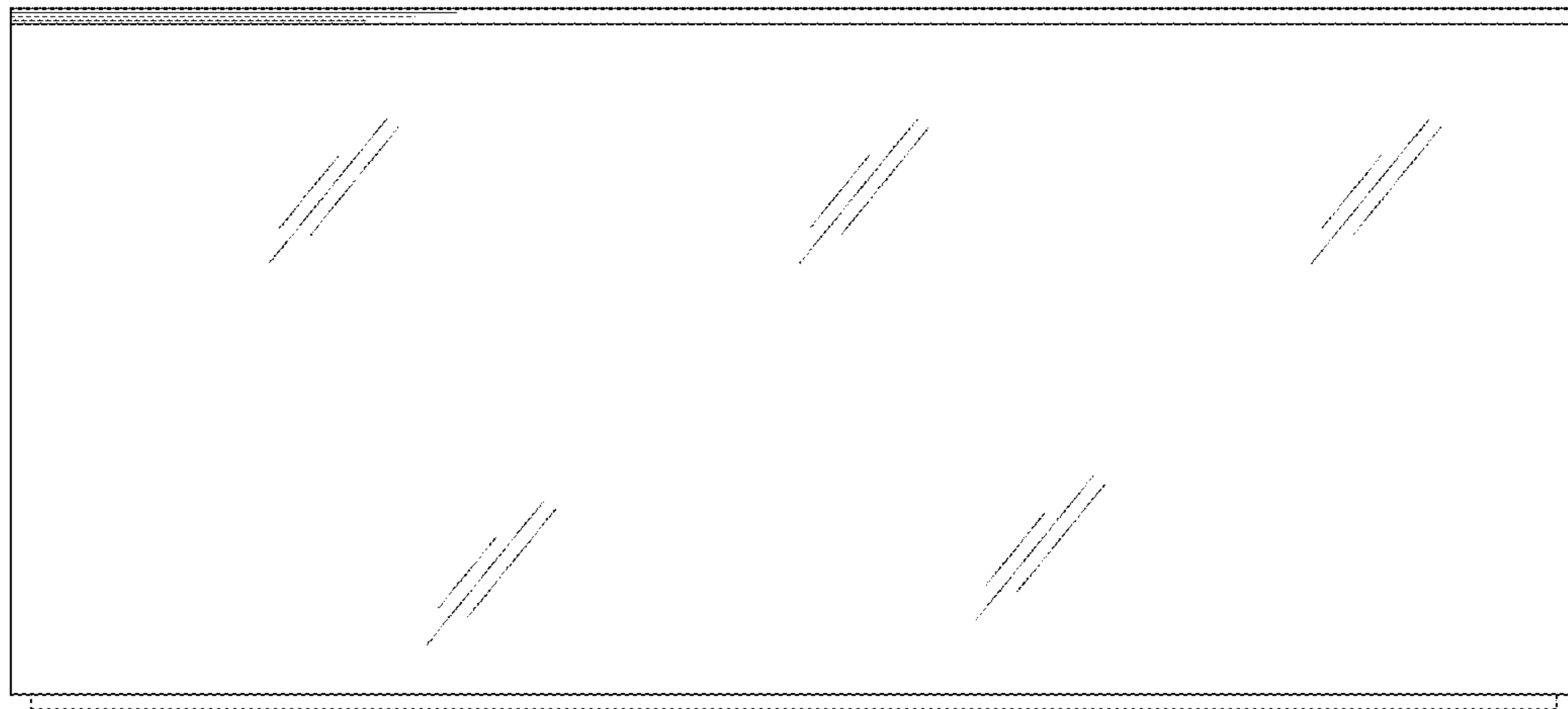


Fig. 3

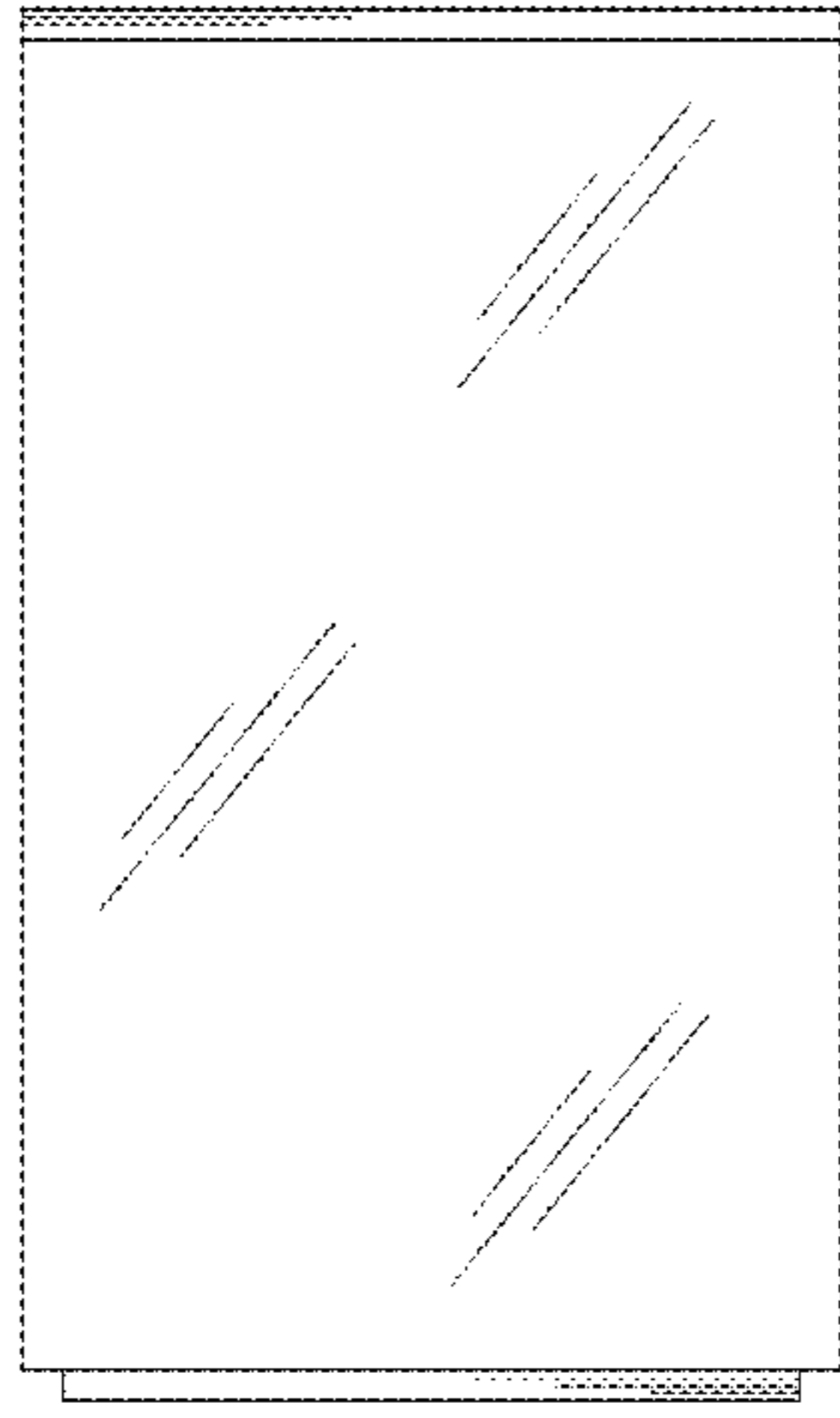


Fig. 4

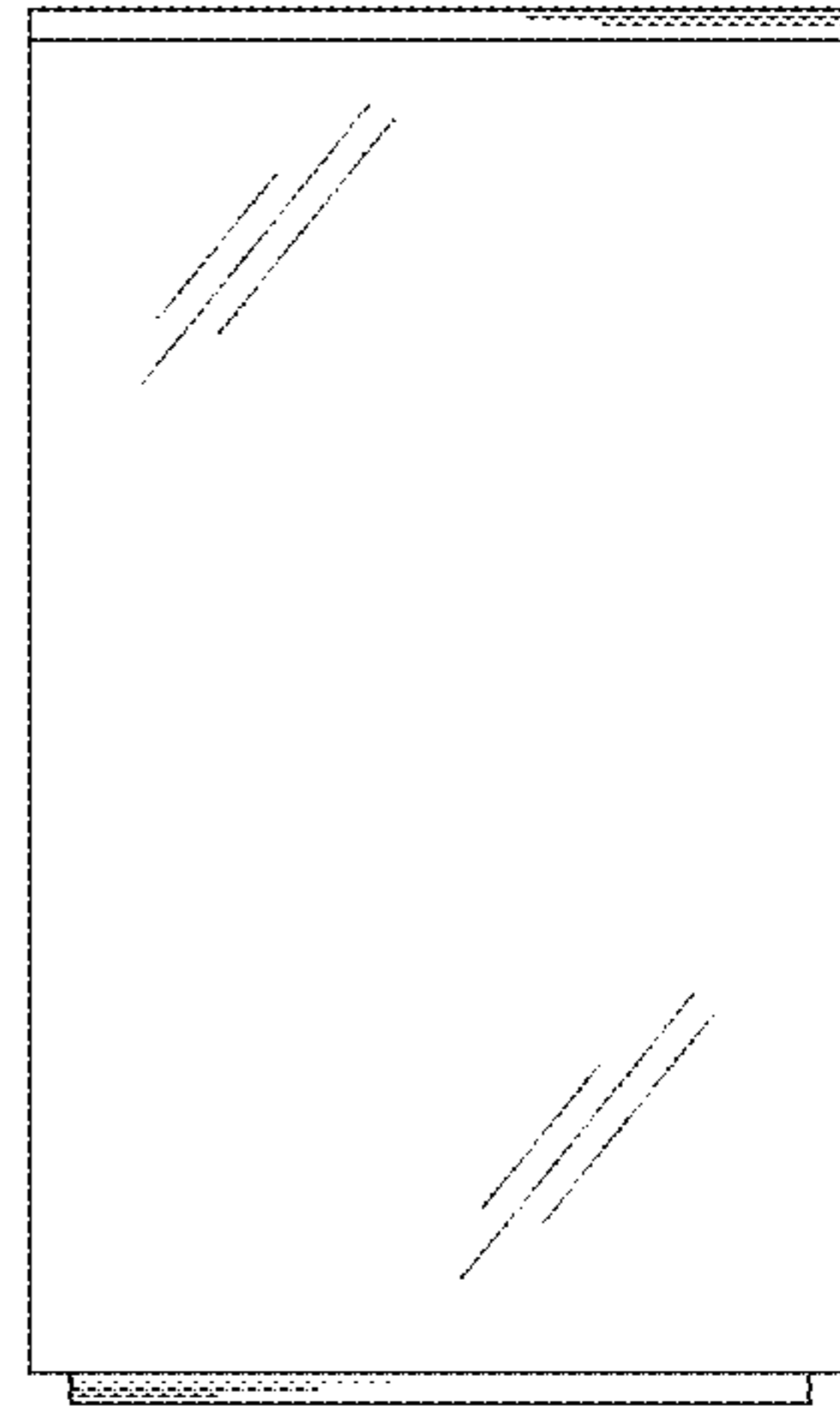


Fig. 5

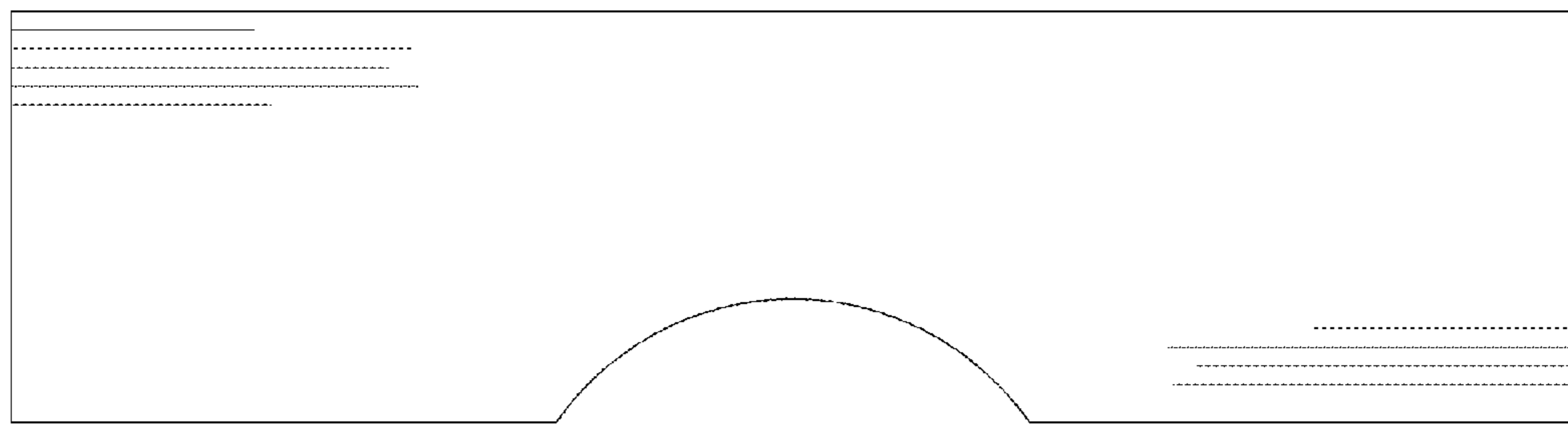


Fig. 6

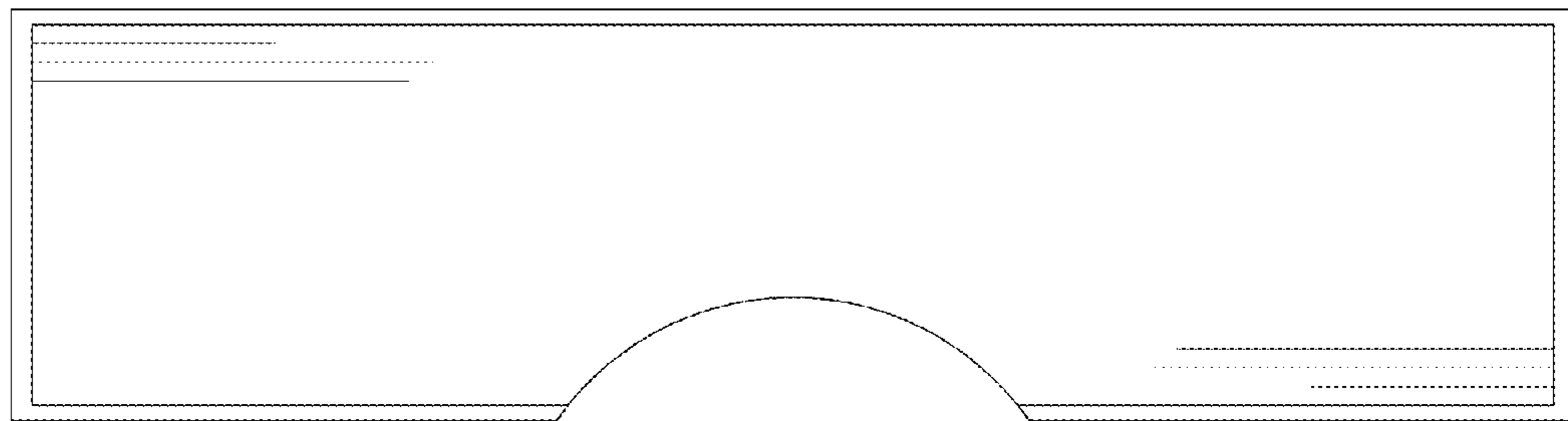


Fig. 7