

US00D690138S

(12) **United States Design Patent**
Kikkert et al.

(10) **Patent No.:** **US D690,138 S**

(45) **Date of Patent:** **** *Sep. 24, 2013**

(54) **RETAIL DISPLAY FIXTURE**

(75) Inventors: **Janice Angela Kikkert**, Fordwich (CA);
Kevin Roy Sugden, Toronto (CA);
Ingye Holmung, Toronto (CA); **Todd**
Andrew Wood, Toronto (CA); **Rodrigo**
Castaneda Ramirez, London (GB)

(73) Assignee: **BlackBerry Limited**, Waterloo, Ontario
(CA)

(*) Notice: This patent is subject to a terminal disclaimer.

(**) Term: **14 Years**

(21) Appl. No.: **29/413,536**

(22) Filed: **Feb. 16, 2012**

(51) **LOC (9) Cl.** **06-04**

(52) **U.S. Cl.**
USPC **D6/672**

(58) **Field of Classification Search**
USPC D6/449, 396, 397, 678.3, 682.4,
D6/511; D14/149, 240, 251, 151, 383, 336,
D14/371, 447, 150; D18/4.4; D10/103;
248/150, 152, 153, 371, 166, 176.1, 451,
248/454, 455, 456; 108/150; 5/638, 652,
5/655, 636; 361/679.02, 679.09
See application file for complete search history.

(56) **References Cited**

U.S. PATENT DOCUMENTS

D264,715 S *	6/1982	Trussler	D14/150
D265,089 S *	6/1982	Bee	D14/151
D265,401 S *	7/1982	Genaro et al.	D14/149
D266,667 S *	10/1982	Bee	D14/151
D272,149 S *	1/1984	Genaro et al.	D14/149
D276,430 S *	11/1984	Isaacs	D14/149
D278,813 S *	5/1985	Genaro et al.	D14/149

D283,474 S *	4/1986	Appel	D6/511
D284,005 S *	5/1986	Isaacs	D14/251
D285,440 S *	9/1986	Isaacs	D14/240
D285,441 S *	9/1986	Isaacs	D14/149
D289,286 S *	4/1987	Aldrich et al.	D14/240
D290,202 S *	6/1987	Friedman	D6/467
D362,427 S *	9/1995	Mizusugi et al.	D18/4.4
D378,577 S *	3/1997	Peroni	D10/103
D385,903 S *	11/1997	Kim	D18/4.4
D459,115 S *	6/2002	Lanham	D6/467
D459,116 S *	6/2002	Lanham	D6/467
D468,735 S *	1/2003	Landerholm et al.	D14/336
D480,725 S *	10/2003	Funato	D14/383
D514,565 S *	2/2006	Haygood	D14/371
D517,347 S *	3/2006	Hamilton et al.	D6/449
D585,056 S *	1/2009	Ekelund	D14/336
D673,571 S *	1/2013	Akana et al.	D14/447
D673,572 S *	1/2013	Akana et al.	D14/447
D673,952 S *	1/2013	Toda et al.	D14/383

* cited by examiner

Primary Examiner — Cathron Brooks
Assistant Examiner — Sydney Buffalow

(57) **CLAIM**

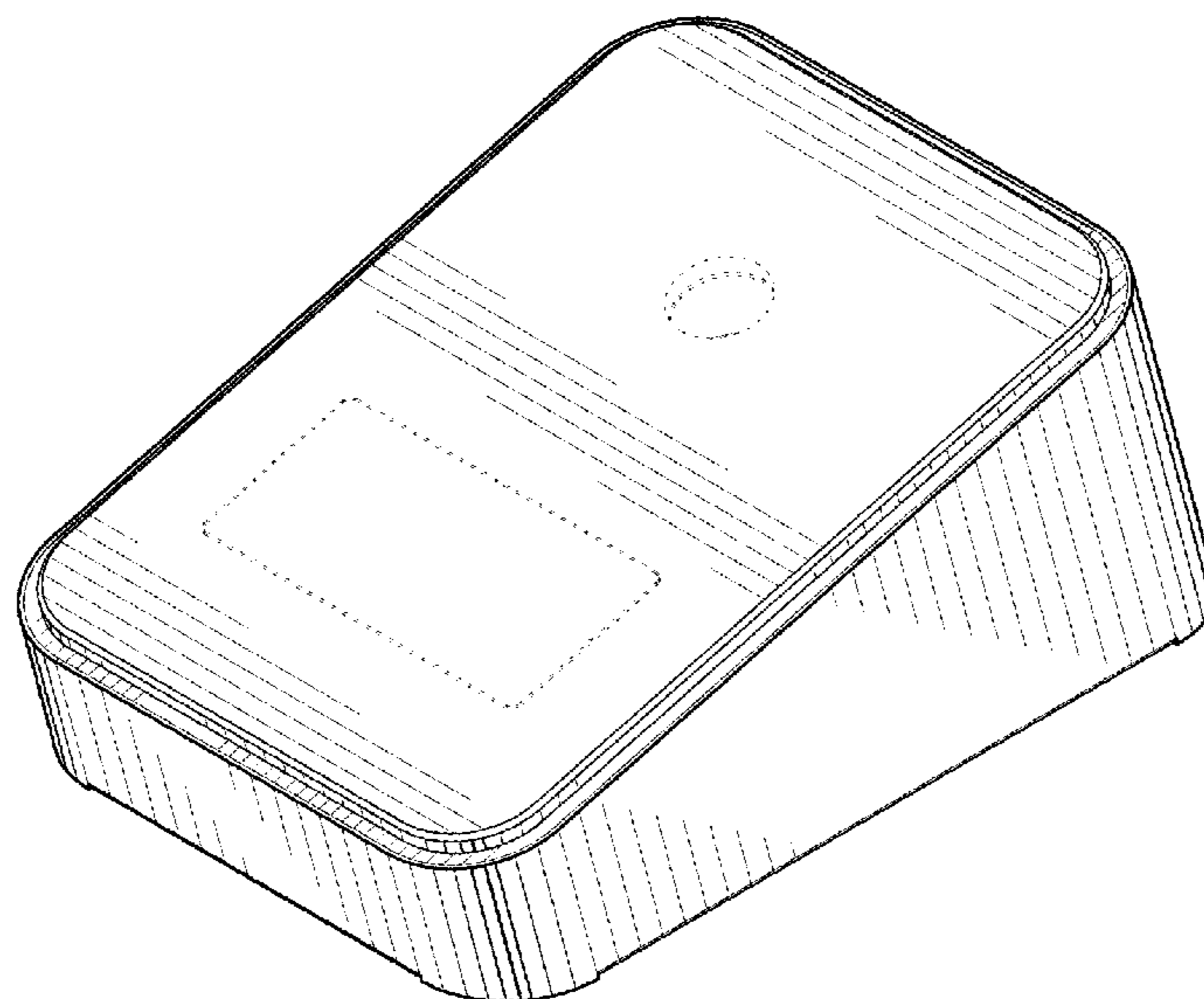
We claim the ornamental design for a retail display fixture, as shown and described.

DESCRIPTION

FIG. 1 is a front perspective view of a retail display fixture; FIG. 2 is a back perspective view of the retail display fixture; FIG. 3 is a front elevational view thereof; FIG. 4 is a back elevational view thereof; FIG. 5 is a right elevational view thereof; FIG. 6 is a left elevational view thereof; FIG. 7 is a top plan view thereof; and, FIG. 8 is a bottom plan view thereof.

The broken lines shown in the drawings of the retail display fixture are for the purpose of illustrating portions of the article and form no part of the claimed design.

1 Claim, 6 Drawing Sheets



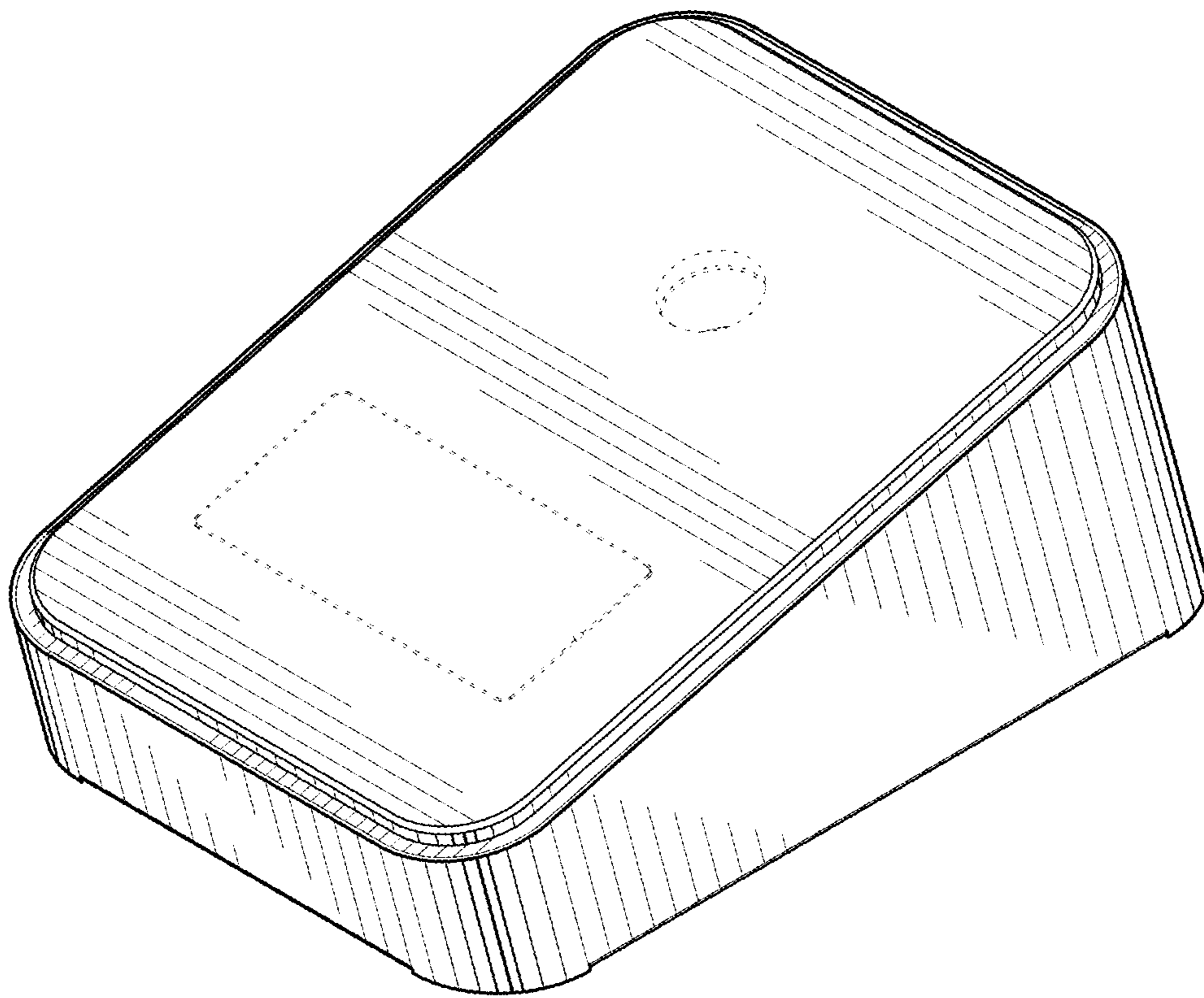


FIG.1

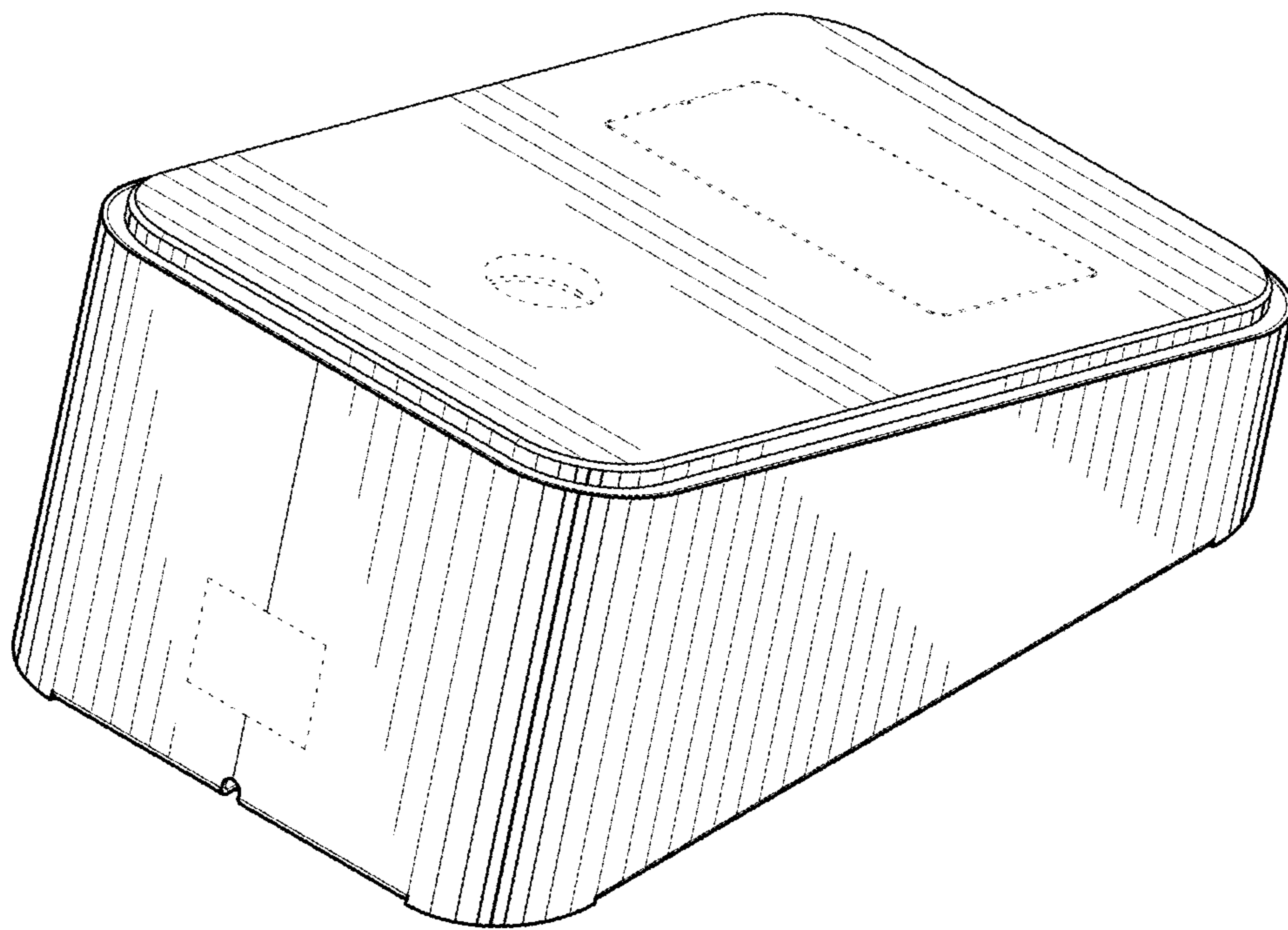


FIG.2

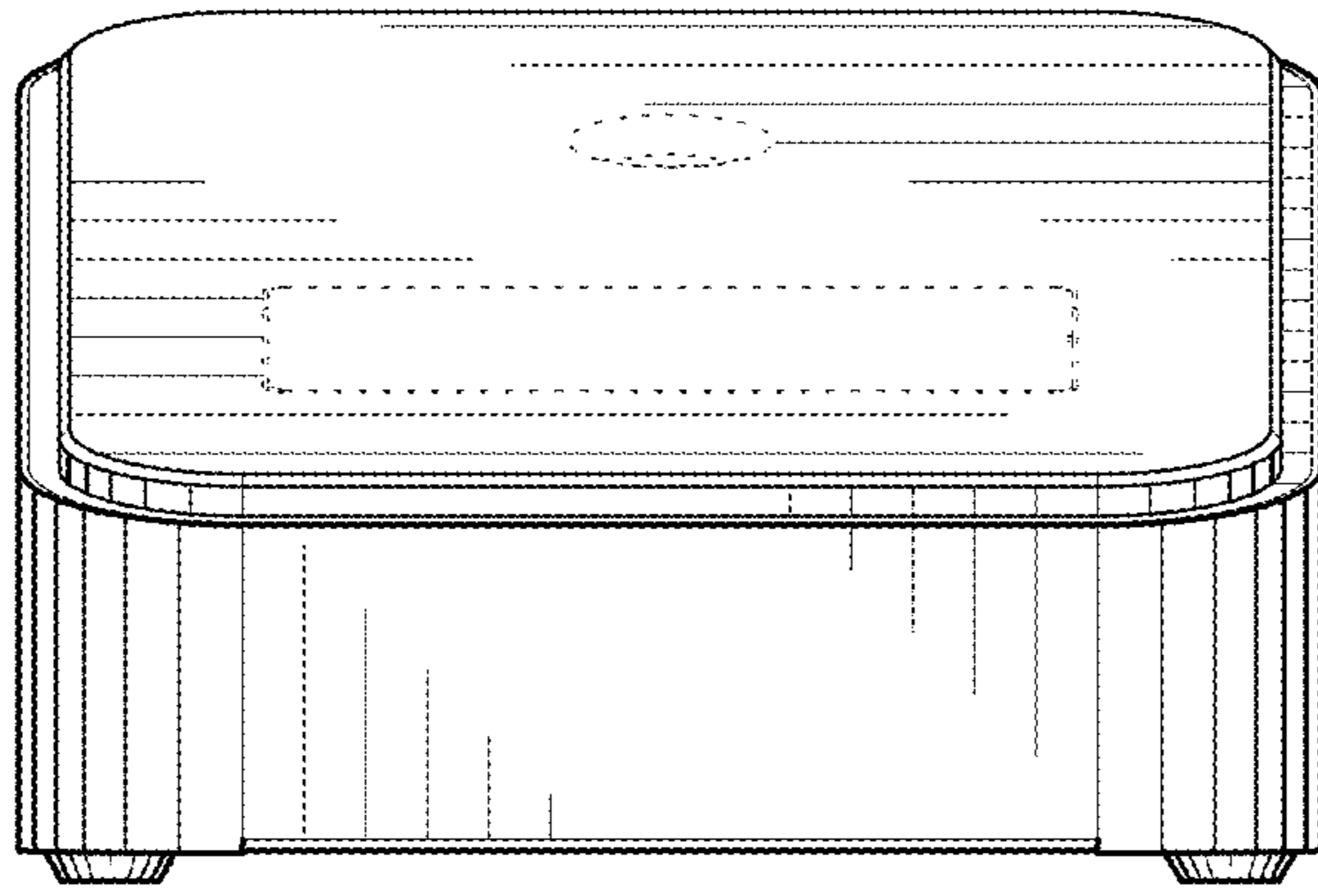


FIG.3

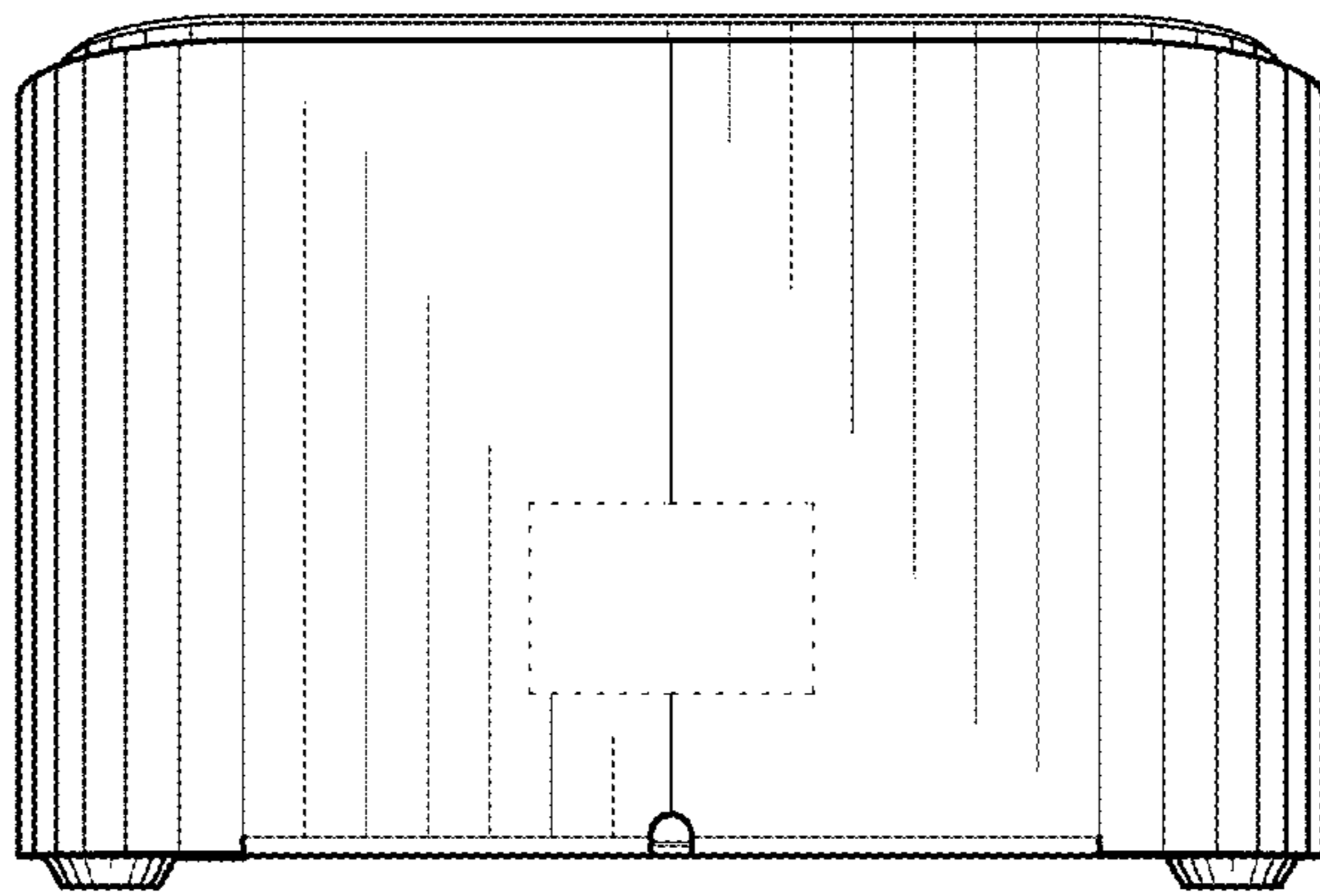


FIG.4

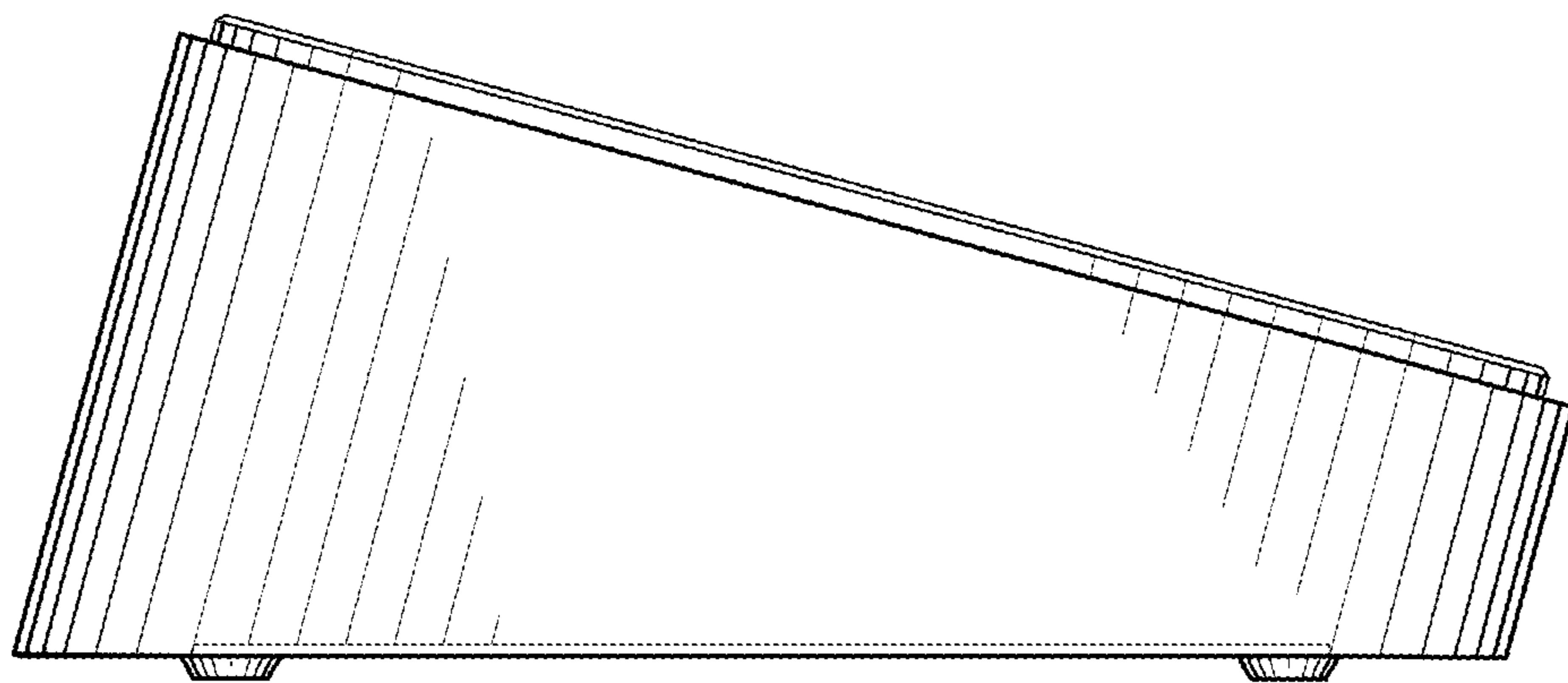


FIG. 5

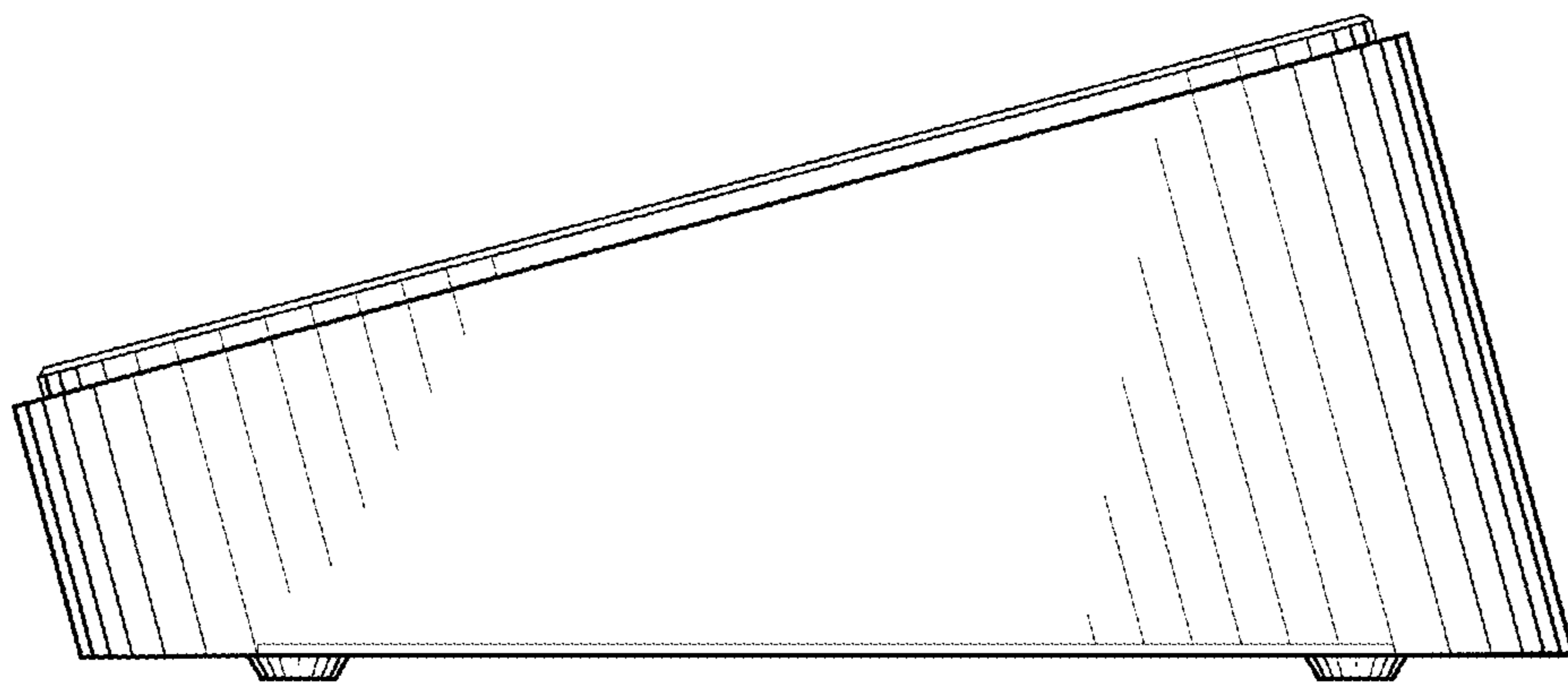


FIG. 6

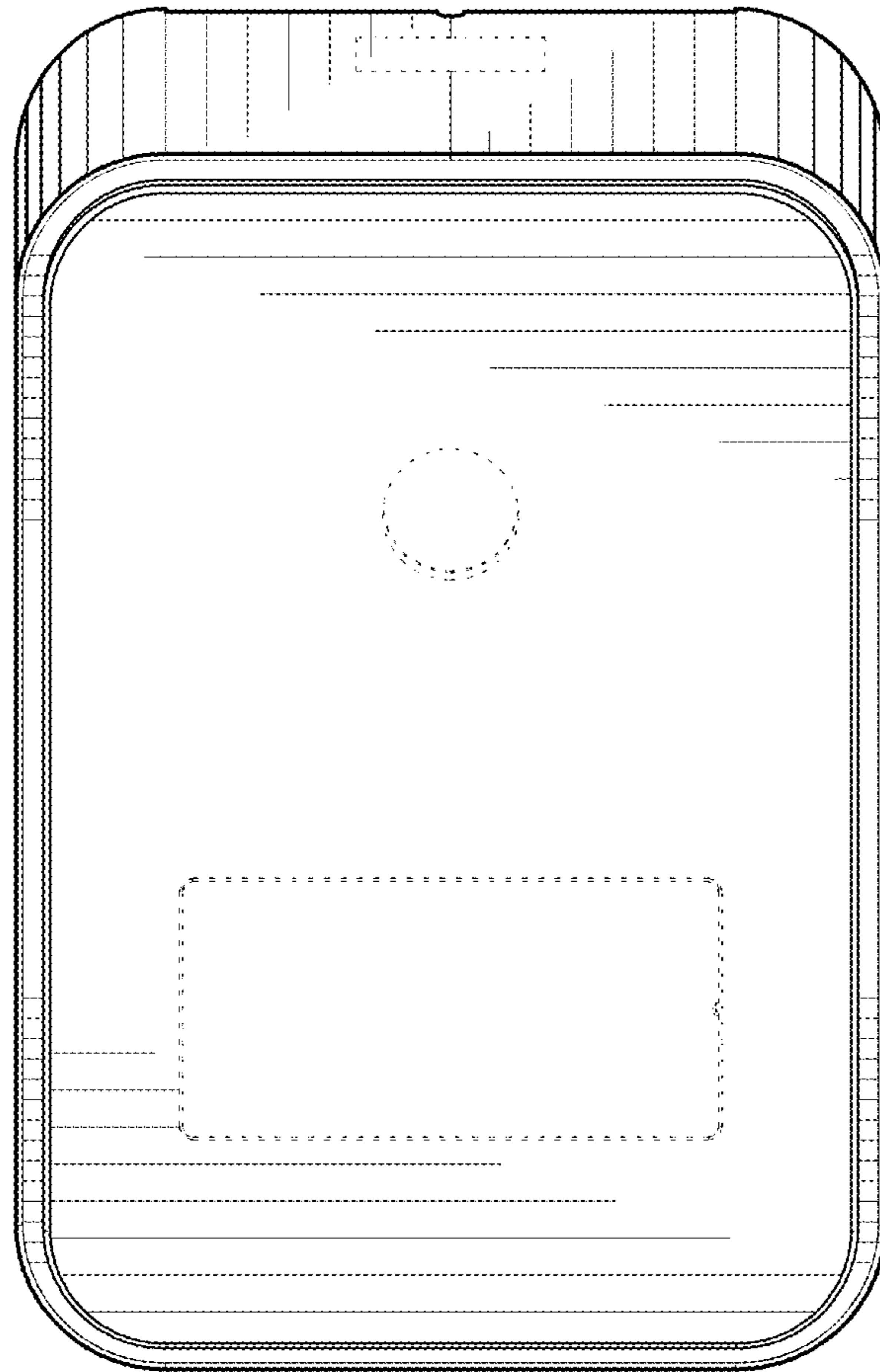


FIG. 7

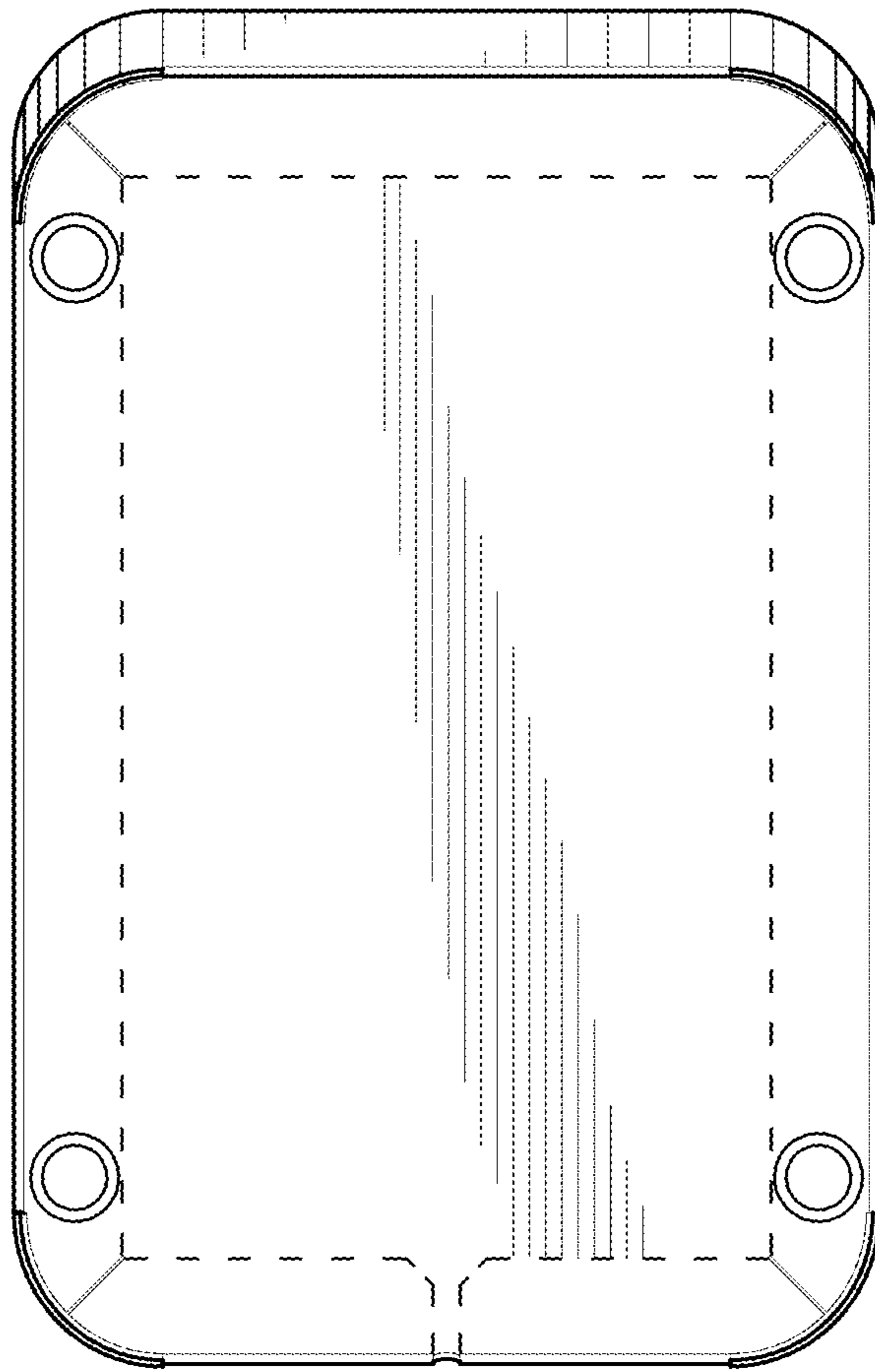


FIG.8