



US00D690137S

(12) **United States Design Patent**  
**Kikkert et al.**

(10) **Patent No.:** **US D690,137 S**

(45) **Date of Patent:** **\*\* Sep. 24, 2013**

(54) **RETAIL DISPLAY FIXTURE**  
(75) Inventors: **Janice Angela Kikkert**, Fordwich (CA);  
**Kevin Roy Sugden**, Toronto (CA);  
**Ingve Holmung**, Toronto (CA); **Todd**  
**Andrew Wood**, Toronto (CA); **Rodrigo**  
**Castaneda Ramirez**, London (GB)

(73) Assignee: **BlackBerry Limited**, Waterloo, Ontario  
(CA)

(\*\*) Term: **14 Years**

(21) Appl. No.: **29/413,535**

(22) Filed: **Feb. 16, 2012**

(51) **LOC (9) Cl.** ..... **06-07**

(52) **U.S. Cl.**  
USPC ..... **D6/672**

(58) **Field of Classification Search**  
USPC ..... D6/449, 396, 397, 678.3, 682.4,  
D6/511; D14/149, 240, 251, 151, 383, 336,  
D14/371, 447, 150; D18/4.4; D10/103;  
248/150, 152, 153, 371, 166, 176.1, 451,  
248/454, 455, 456; 108/150; 5/638, 652,  
5/655, 636; 361/679.02, 679.09

See application file for complete search history.

(56) **References Cited**

**U.S. PATENT DOCUMENTS**

D264,715 S *	6/1982	Trussler	.....	D14/150
D265,089 S *	6/1982	Bee	.....	D14/151
D265,401 S *	7/1982	Genaro et al.	.....	D14/149
D266,667 S *	10/1982	Bee	.....	D14/151
D272,149 S *	1/1984	Genaro et al.	.....	D14/149
D276,430 S *	11/1984	Isaacs	.....	D14/149
D278,813 S *	5/1985	Genaro et al.	.....	D14/149
D283,474 S *	4/1986	Appel	.....	D6/511
D284,005 S *	5/1986	Isaacs	.....	D14/251

D285,440 S *	9/1986	Isaacs	.....	D14/240
D285,441 S *	9/1986	Isaacs	.....	D14/149
D289,286 S *	4/1987	Aldrich et al.	.....	D14/240
D290,202 S *	6/1987	Friedman	.....	D6/467
D362,427 S *	9/1995	Mizusugi et al.	.....	D18/4.4
D378,577 S *	3/1997	Peroni	.....	D10/103
D385,903 S *	11/1997	Kim	.....	D18/4.4
D459,115 S *	6/2002	Lanham	.....	D6/467
D459,116 S *	6/2002	Lanham	.....	D6/467
D468,735 S *	1/2003	Landerholm et al.	.....	D14/336
D480,725 S *	10/2003	Funato	.....	D14/383
D514,565 S *	2/2006	Haygood	.....	D14/371
D517,347 S *	3/2006	Hamilton et al.	.....	D6/449
D585,056 S *	1/2009	Ekelund	.....	D14/336
D673,571 S *	1/2013	Akana et al.	.....	D14/447
D673,572 S *	1/2013	Akana et al.	.....	D14/447
D673,952 S *	1/2013	Toda et al.	.....	D14/383

\* cited by examiner

*Primary Examiner* — Cathron Brooks  
*Assistant Examiner* — Sydney Buffalow

(57) **CLAIM**

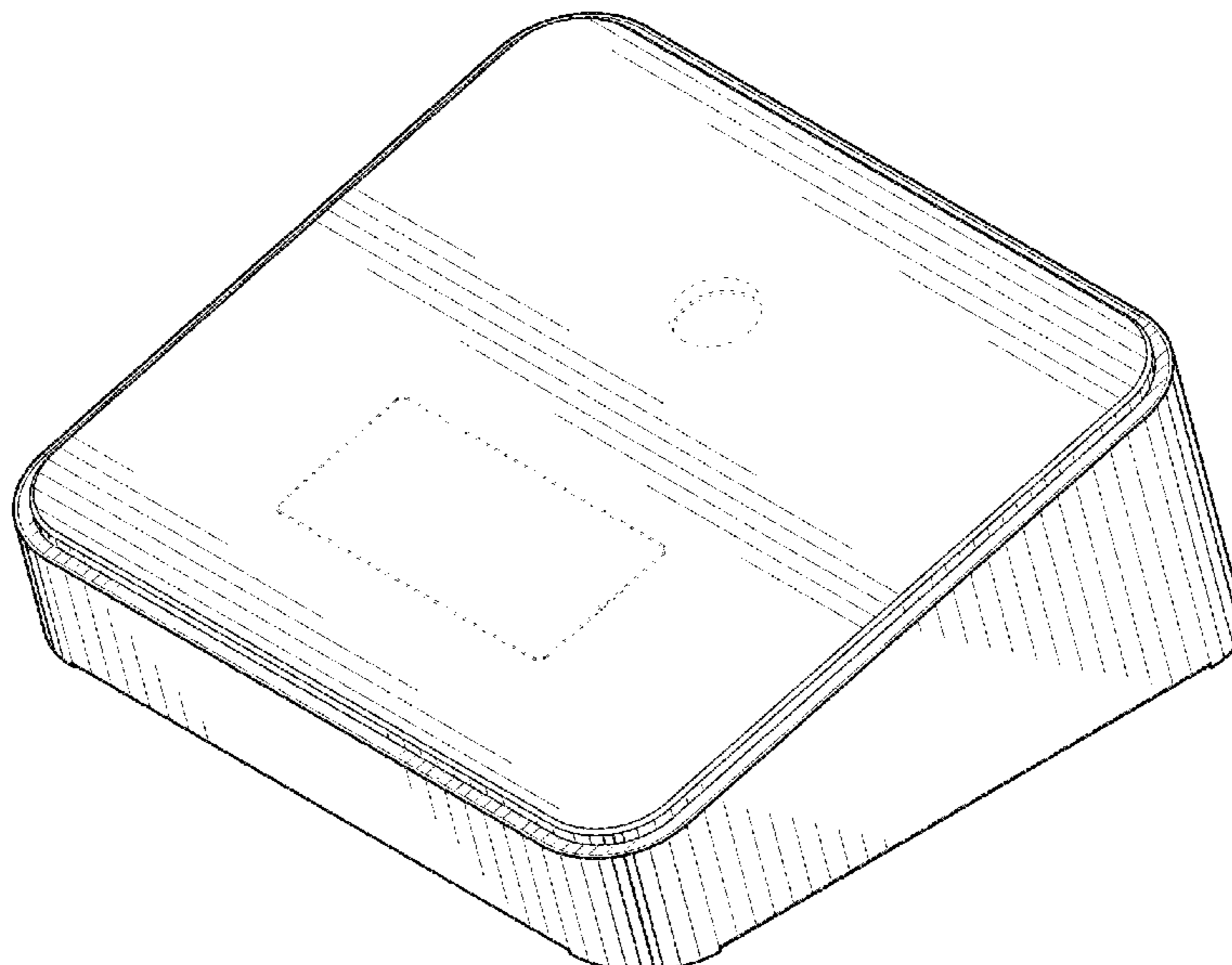
We claim the ornamental design for a retail display fixture, as shown and described.

**DESCRIPTION**

FIG. 1 is a front perspective view of a retail display fixture;  
FIG. 2 is a back perspective view of the retail display fixture;  
FIG. 3 is a front elevational view thereof;  
FIG. 4 is a back elevational view thereof;  
FIG. 5 is a right elevational view thereof;  
FIG. 6 is a left elevational view thereof;  
FIG. 7 is a top plan view thereof; and,  
FIG. 8 is a bottom plan view thereof.

The broken lines shown in the drawings of the retail display fixture are for the purpose of illustrating portions of the article and form no part of the claimed design.

**1 Claim, 6 Drawing Sheets**



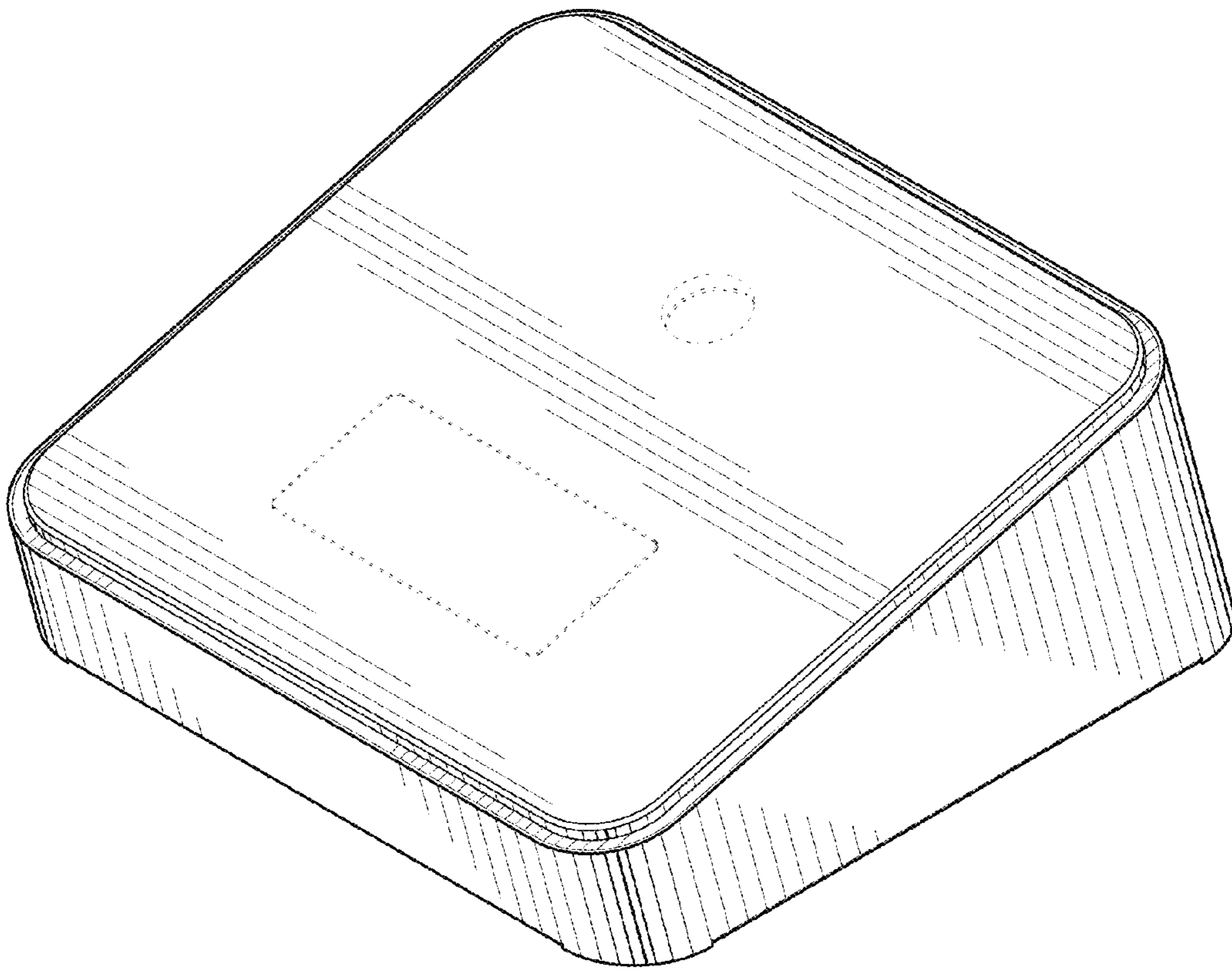


FIG.1

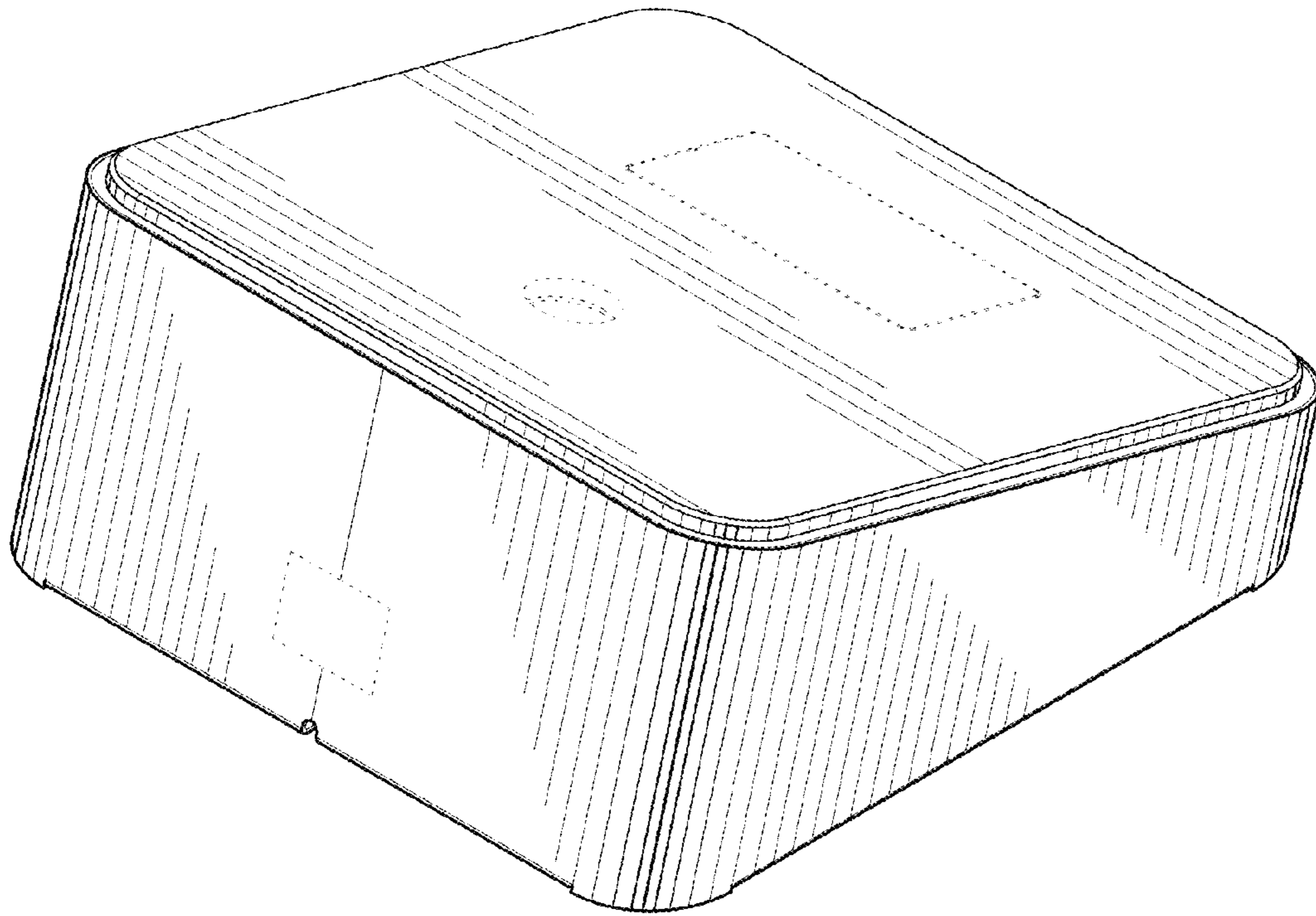


FIG.2

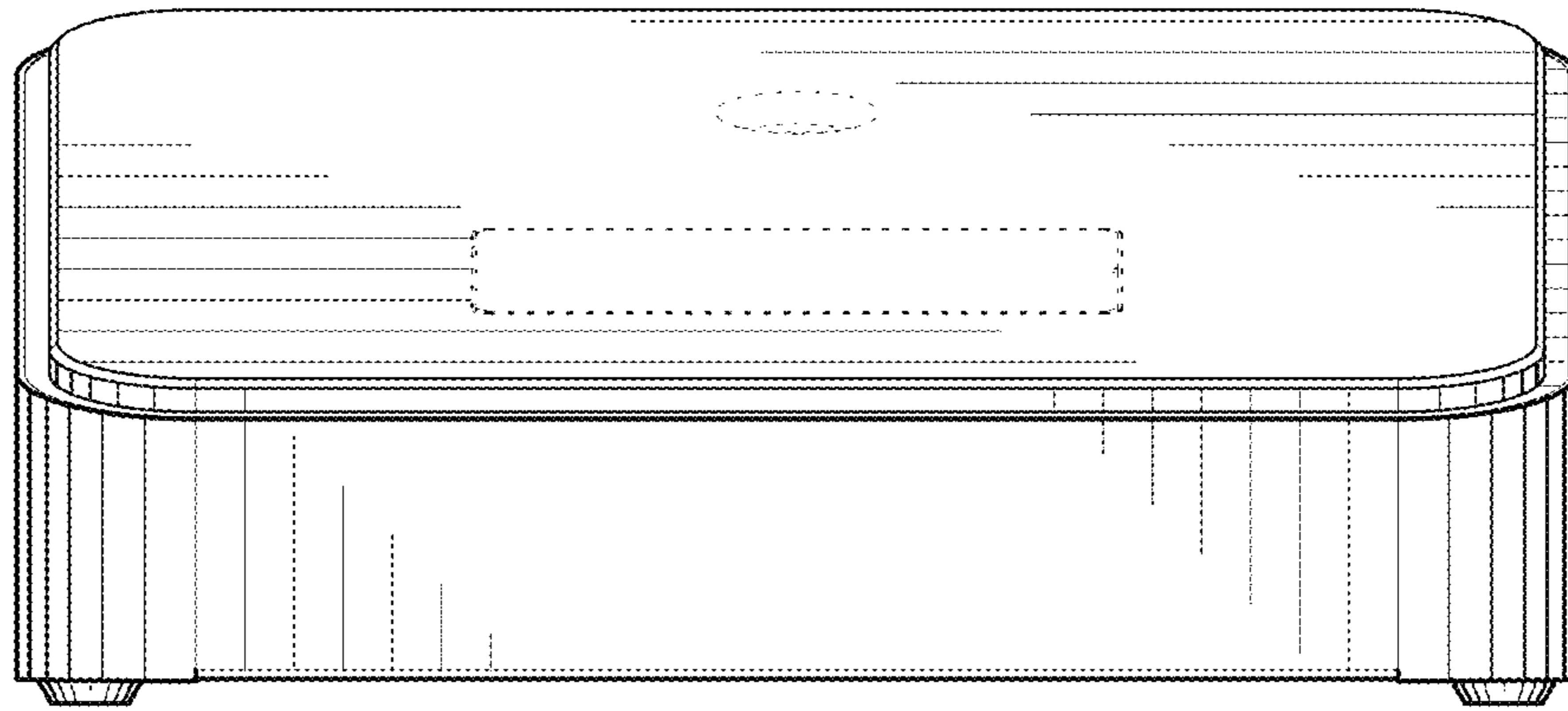


FIG.3

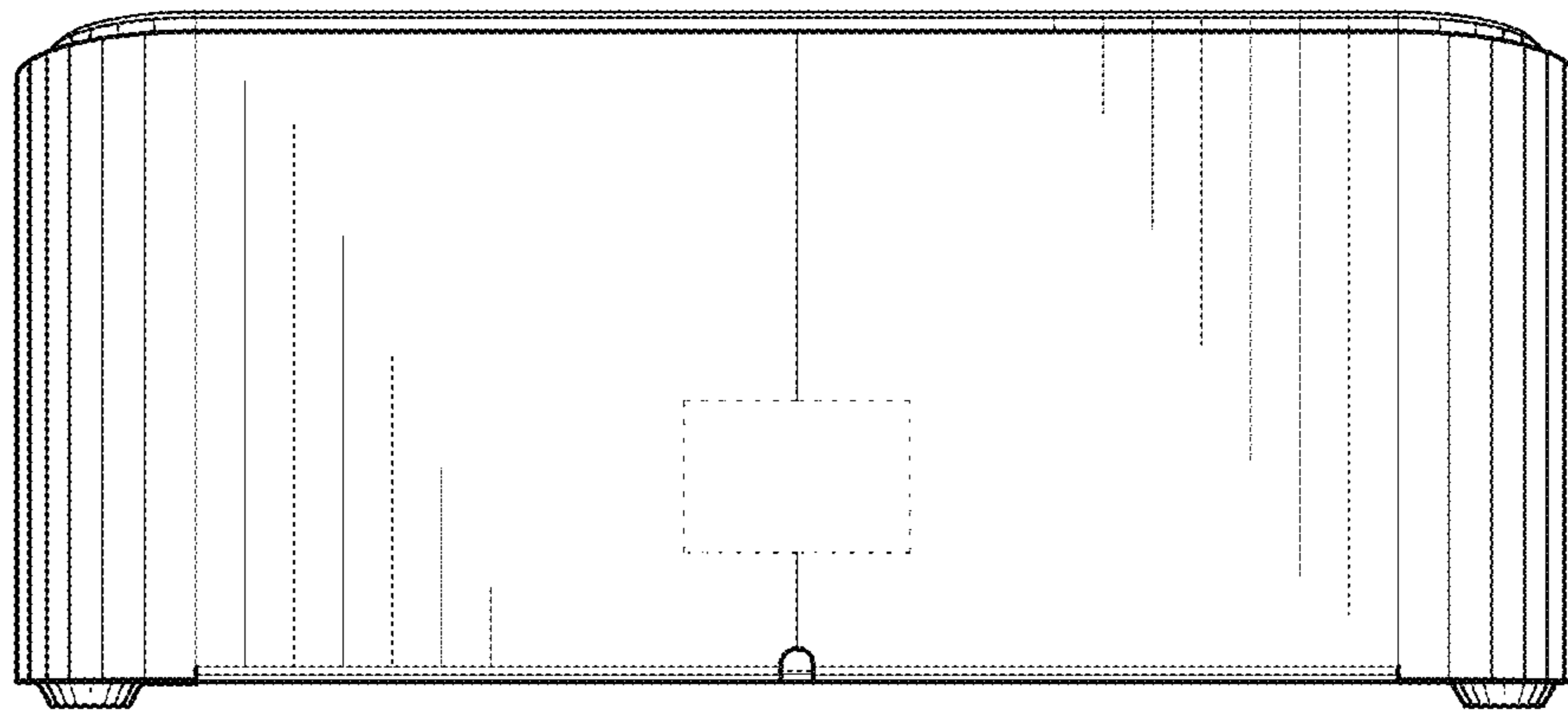


FIG.4

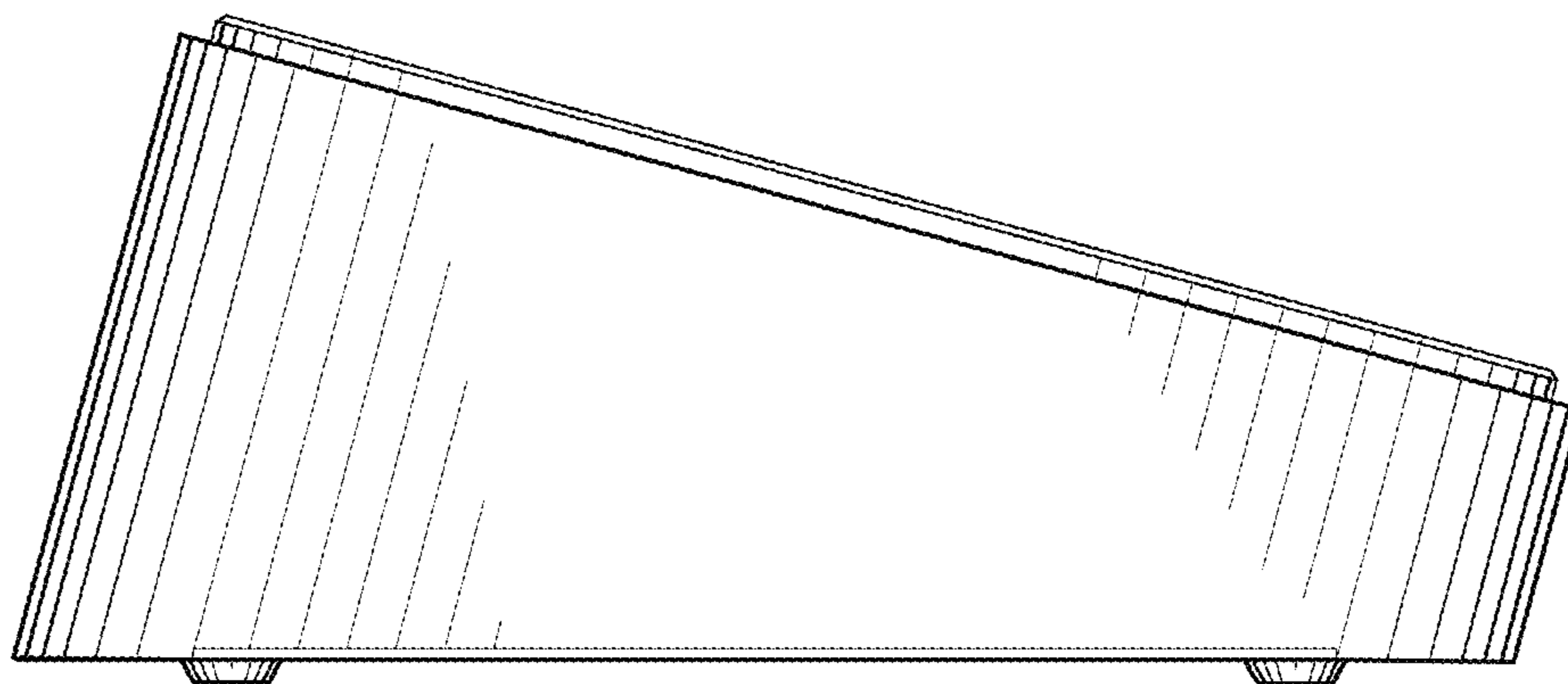


FIG. 5

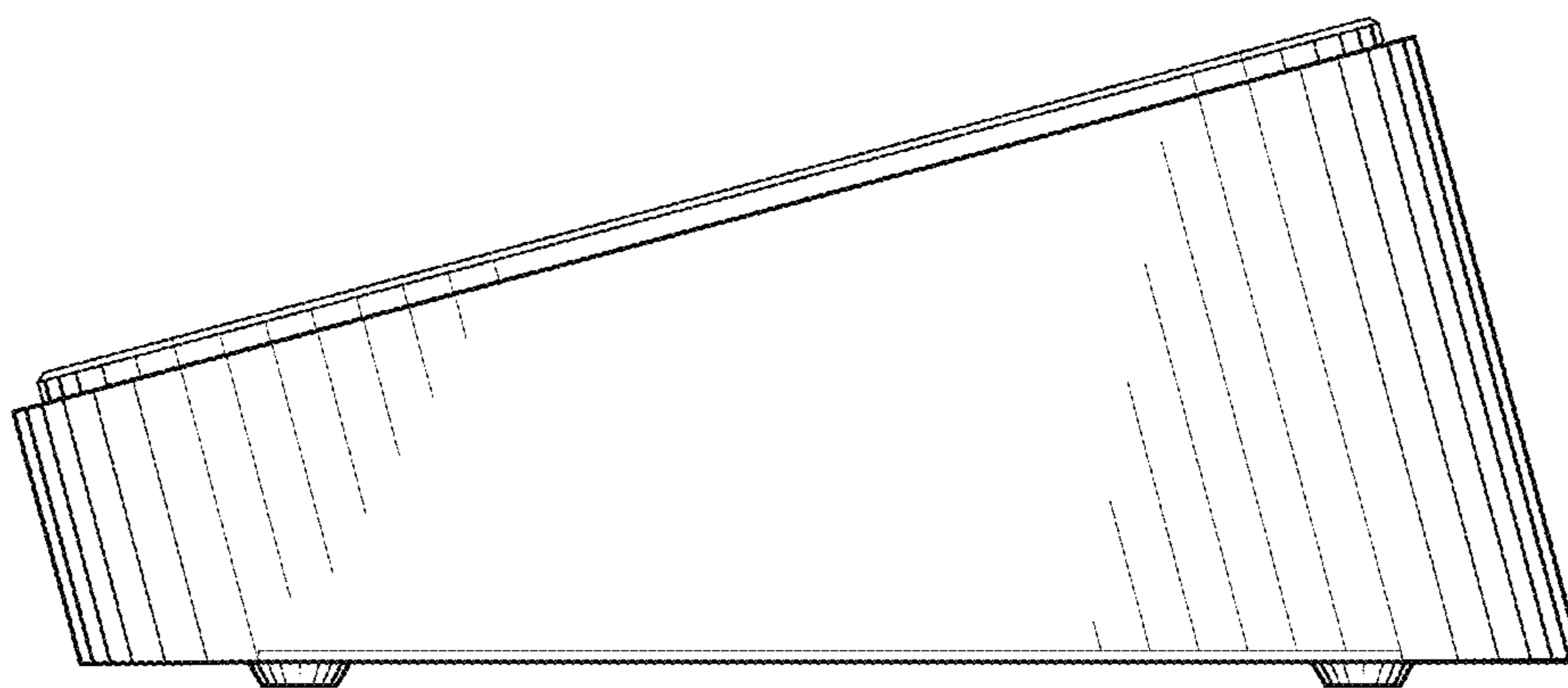


FIG. 6

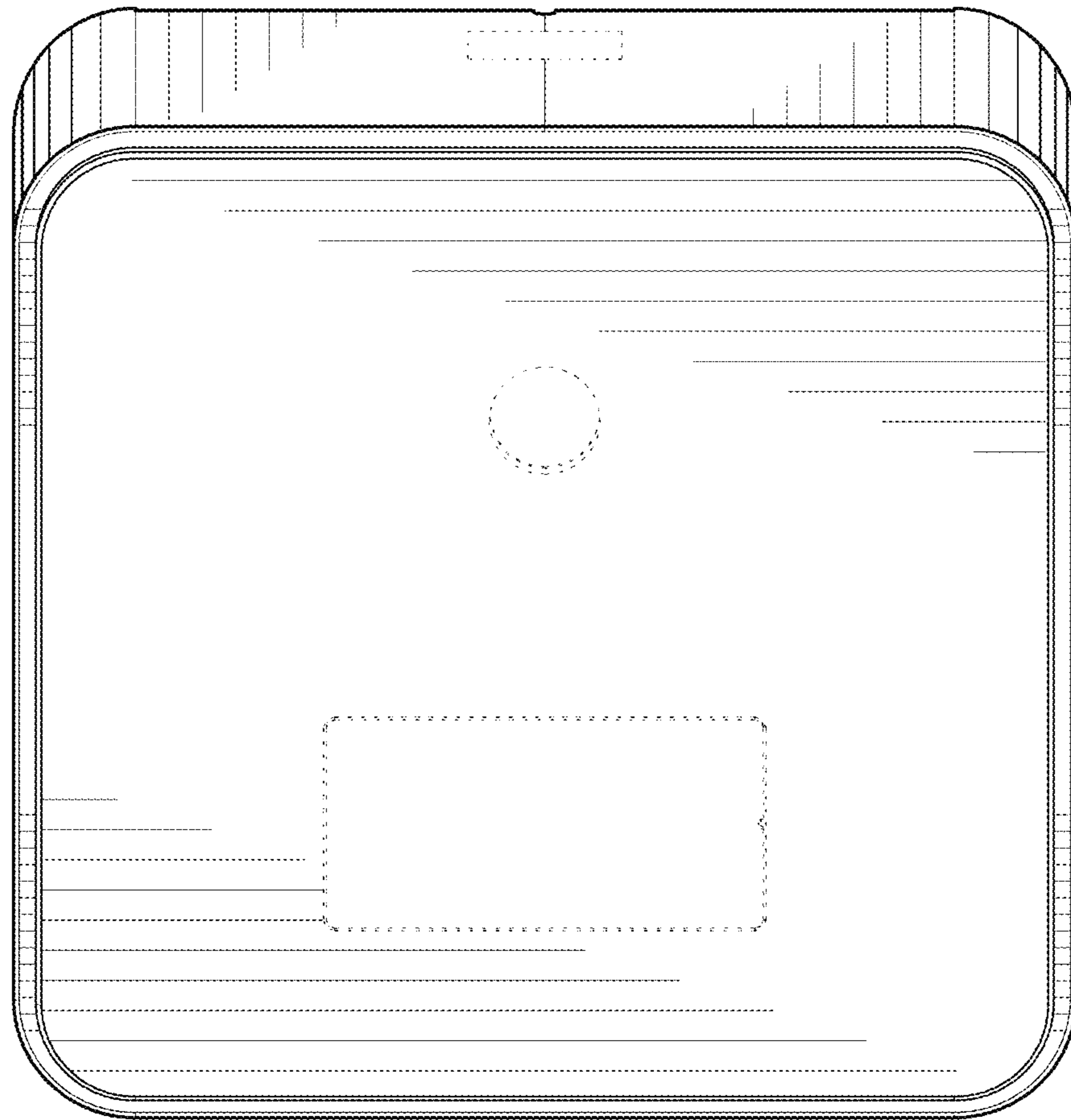


FIG. 7

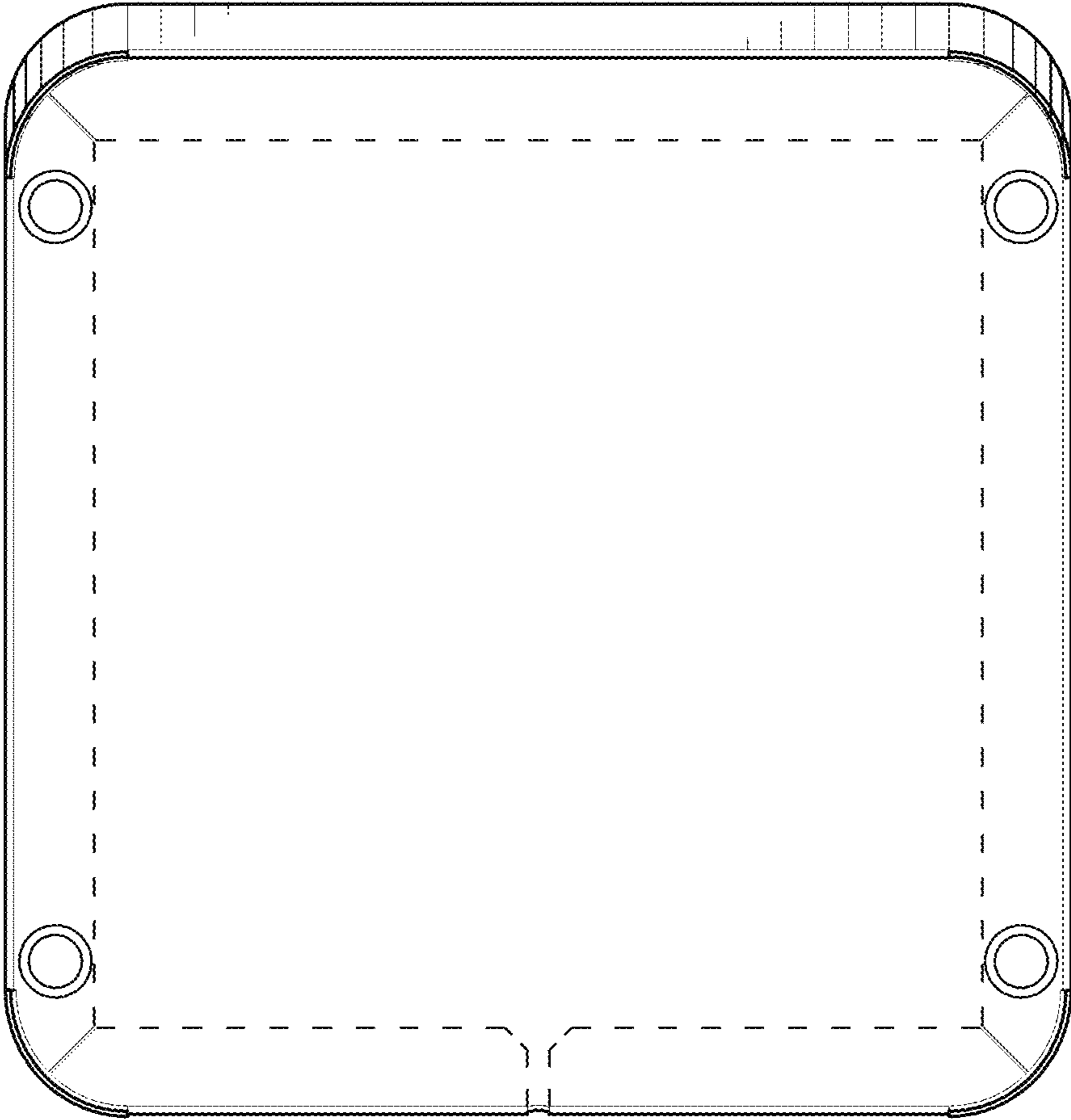


FIG.8