



US00D690133S

(12) **United States Design Patent**  
**Wu**

(10) **Patent No.:** **US D690,133 S**

(45) **Date of Patent:** **\*\* Sep. 24, 2013**

(54) **CONTROL DEVICE FOR ARISING, FALLING AND POSITIONING A BLIND**

(75) Inventor: **Cheng-Ming Wu**, Kaohsiung (TW)

(73) Assignee: **Bao Song Precision Industry Co., Ltd.**,  
Kaohsiung (TW)

(\*\*) Term: **14 Years**

(21) Appl. No.: **29/417,487**

(22) Filed: **Apr. 4, 2012**

(51) **LOC (9) Cl.** ..... **06-10**

(52) **U.S. Cl.**  
USPC ..... **D6/580**

(58) **Field of Classification Search**  
USPC ..... D6/575-580; D8/349, 352, 353,  
D8/368, 369, 376; 160/84.01-84.08, 107,  
160/108, 111, 113, 130, 133, 166.1, 168.1 R,  
160/199, 330

See application file for complete search history.

(56) **References Cited**

**U.S. PATENT DOCUMENTS**

4,850,416	A *	7/1989	Evers	.....	160/188
D359,410	S *	6/1995	Domel et al.	.....	D6/580
D392,490	S *	3/1998	Kimata et al.	.....	D6/580
5,875,829	A *	3/1999	Chou	.....	160/319
D453,440	S *	2/2002	Fraser et al.	.....	D6/580
D568,663	S *	5/2008	Chou	.....	D6/580

7,866,367	B2 *	1/2011	Liang et al.	.....	160/173 R
2004/0144500	A1 *	7/2004	Nien	.....	160/170
2007/0051477	A1 *	3/2007	Fraser et al.	.....	160/84.05
2007/0125502	A1 *	6/2007	Liang	.....	160/84.05
2007/0261798	A1 *	11/2007	Hung et al.	.....	160/170
2008/0210387	A1 *	9/2008	Yang	.....	160/168.1 V
2010/0065226	A1 *	3/2010	Fraser et al.	.....	160/168.1 R

\* cited by examiner

*Primary Examiner* — Karen S Acker

(74) *Attorney, Agent, or Firm* — Muncy, Geissler, Olds & Lowe, PLLC

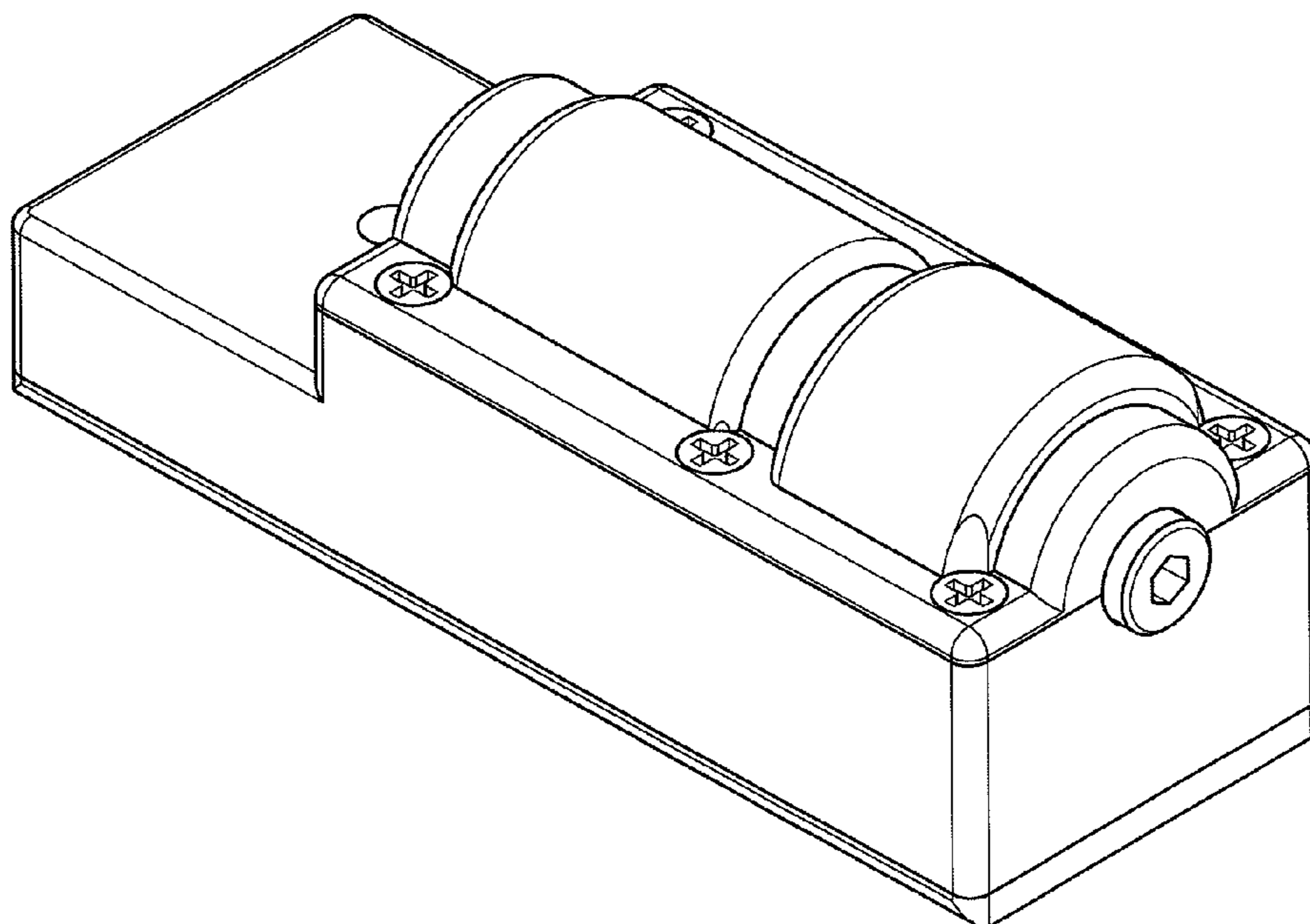
(57) **CLAIM**

The ornamental design for a control device for arising, falling and positioning a blind, as shown and described.

**DESCRIPTION**

FIG. 1 is a perspective view of a control device for arising, falling and positioning a blind showing my new design; FIG. 2 is a front view of the design shown in FIG. 1; FIG. 3 is a rear view of the design shown in FIG. 1; FIG. 4 is a left side view of the design shown in FIG. 1; FIG. 5 is a right side view of the design shown in FIG. 1; FIG. 6 is a top view of the design shown in FIG. 1; and, FIG. 7 is a bottom view of the design shown in FIG. 1.

**1 Claim, 4 Drawing Sheets**



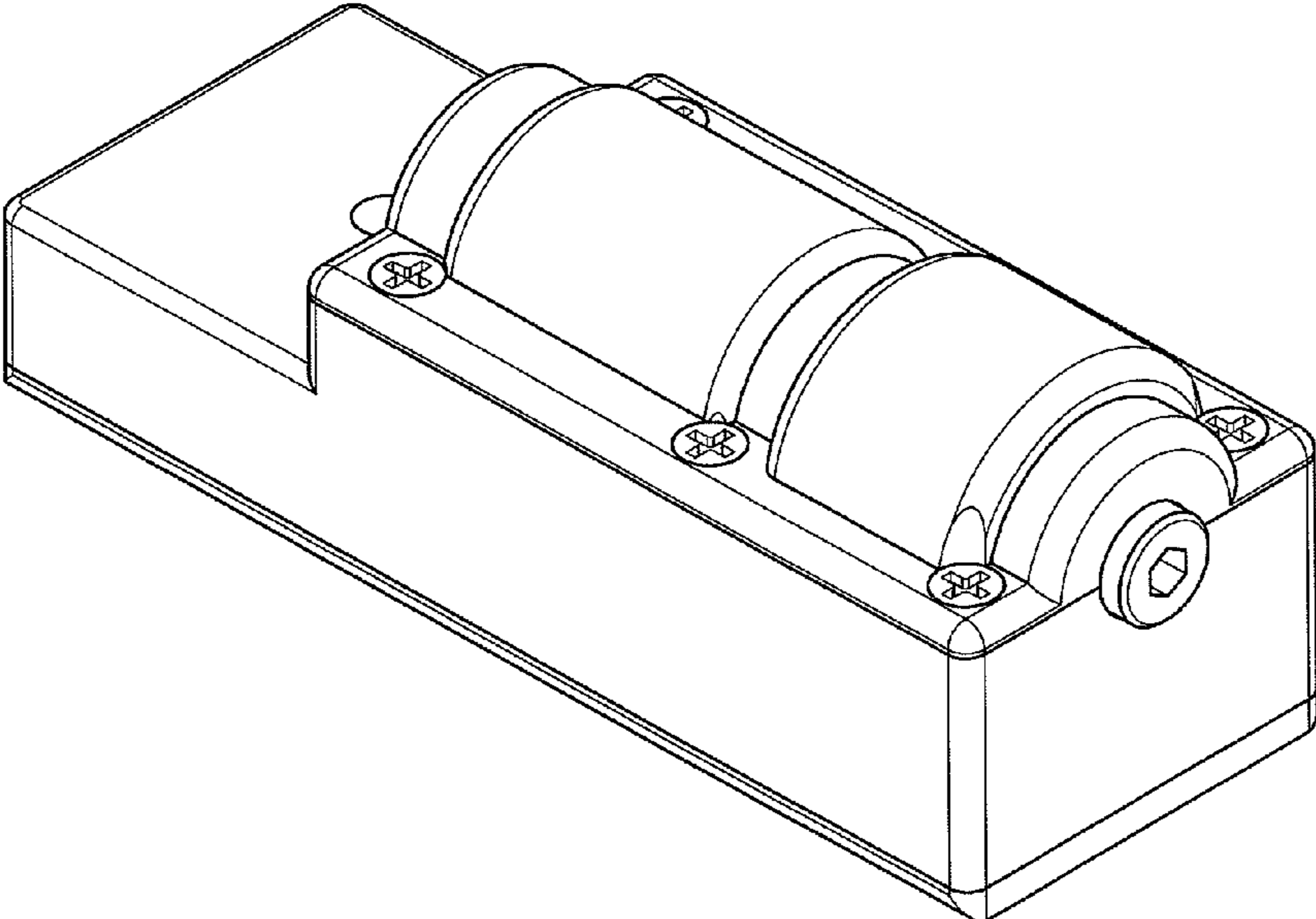


FIG. 1

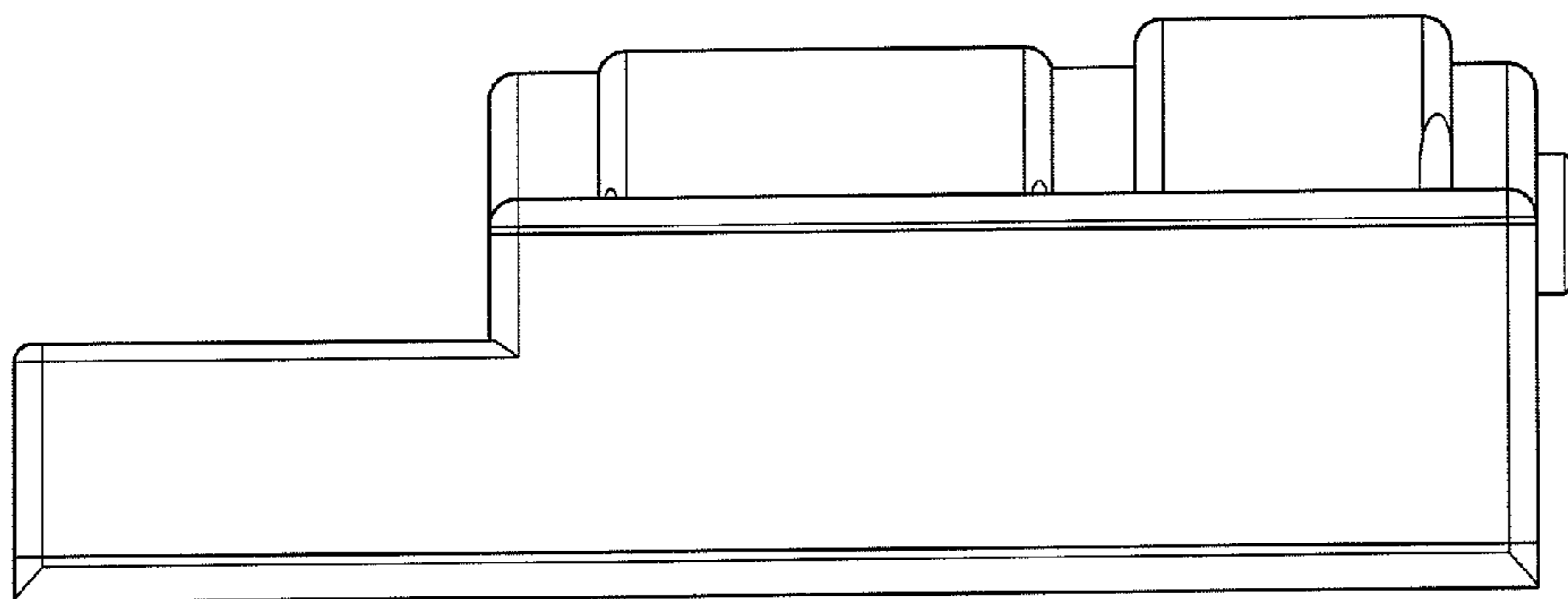


FIG. 2

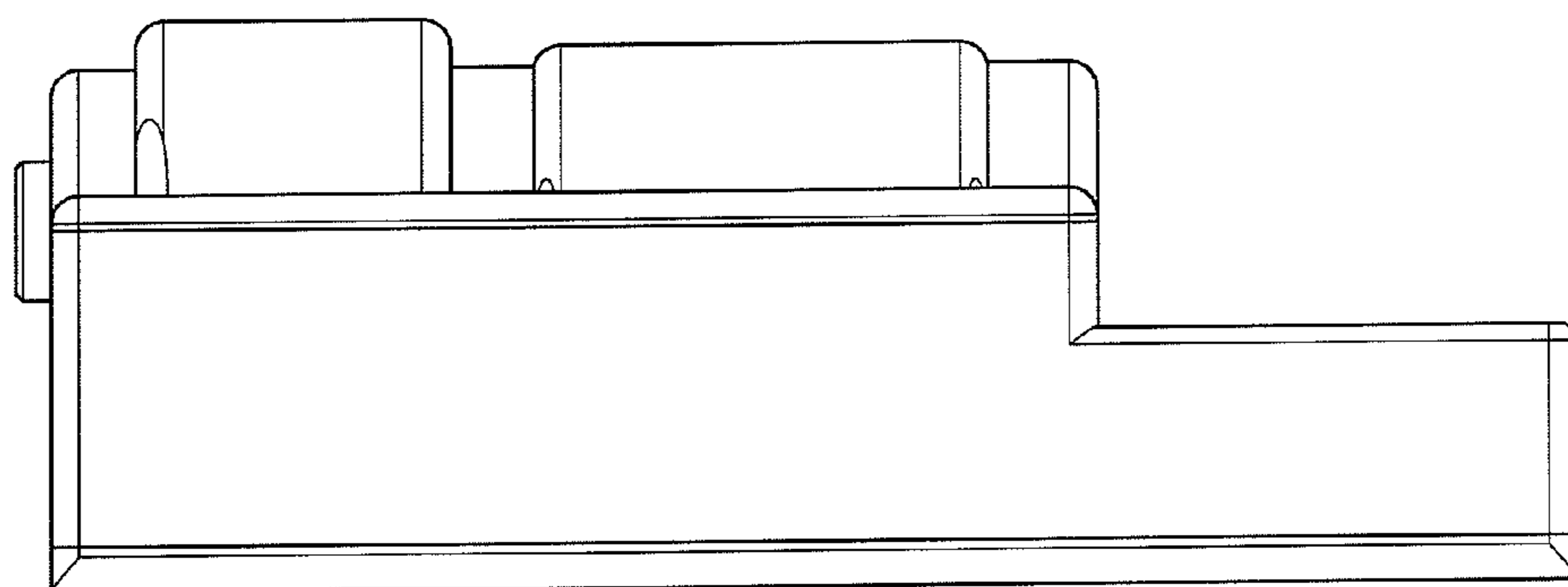


FIG. 3

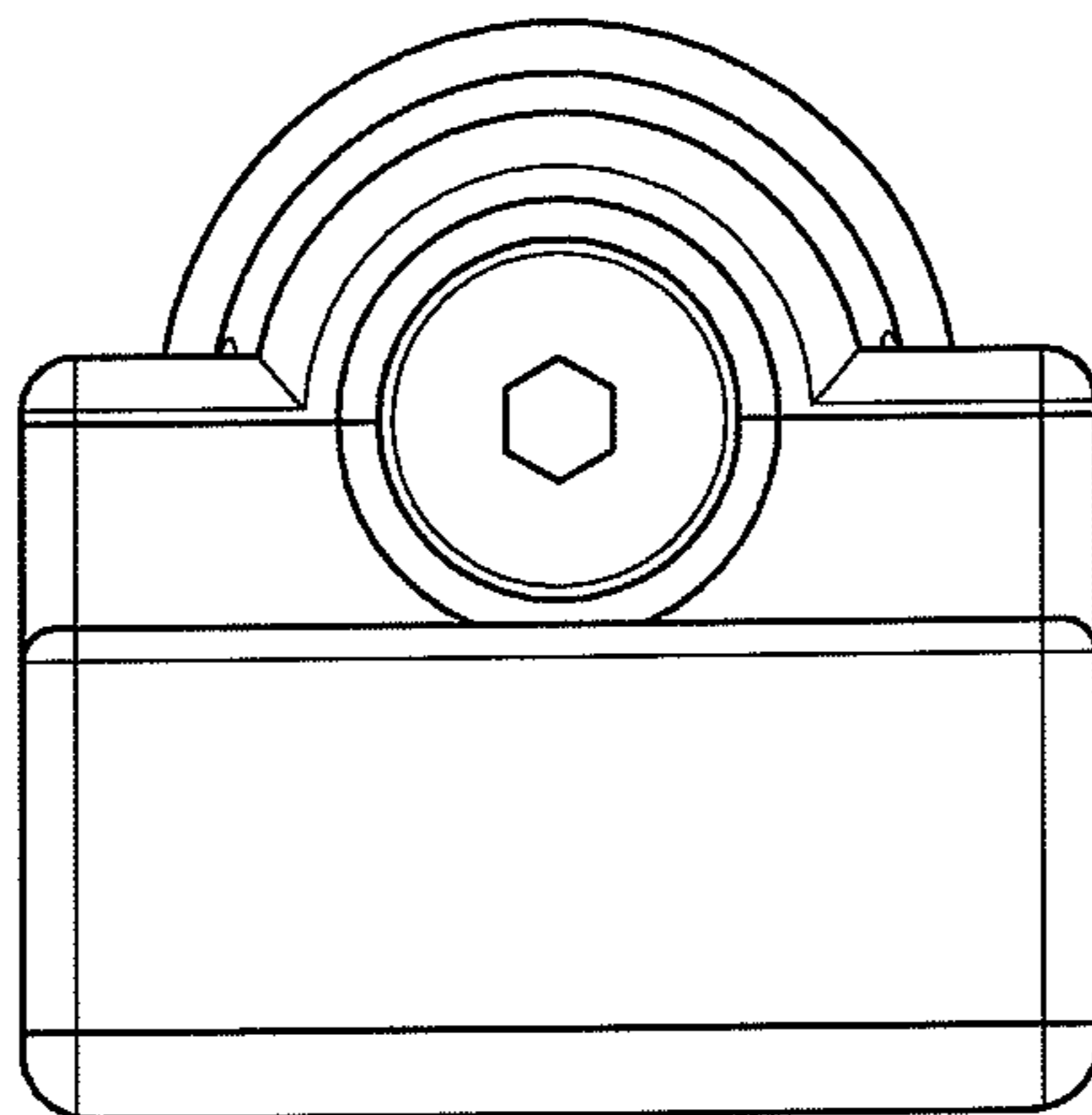


FIG. 4

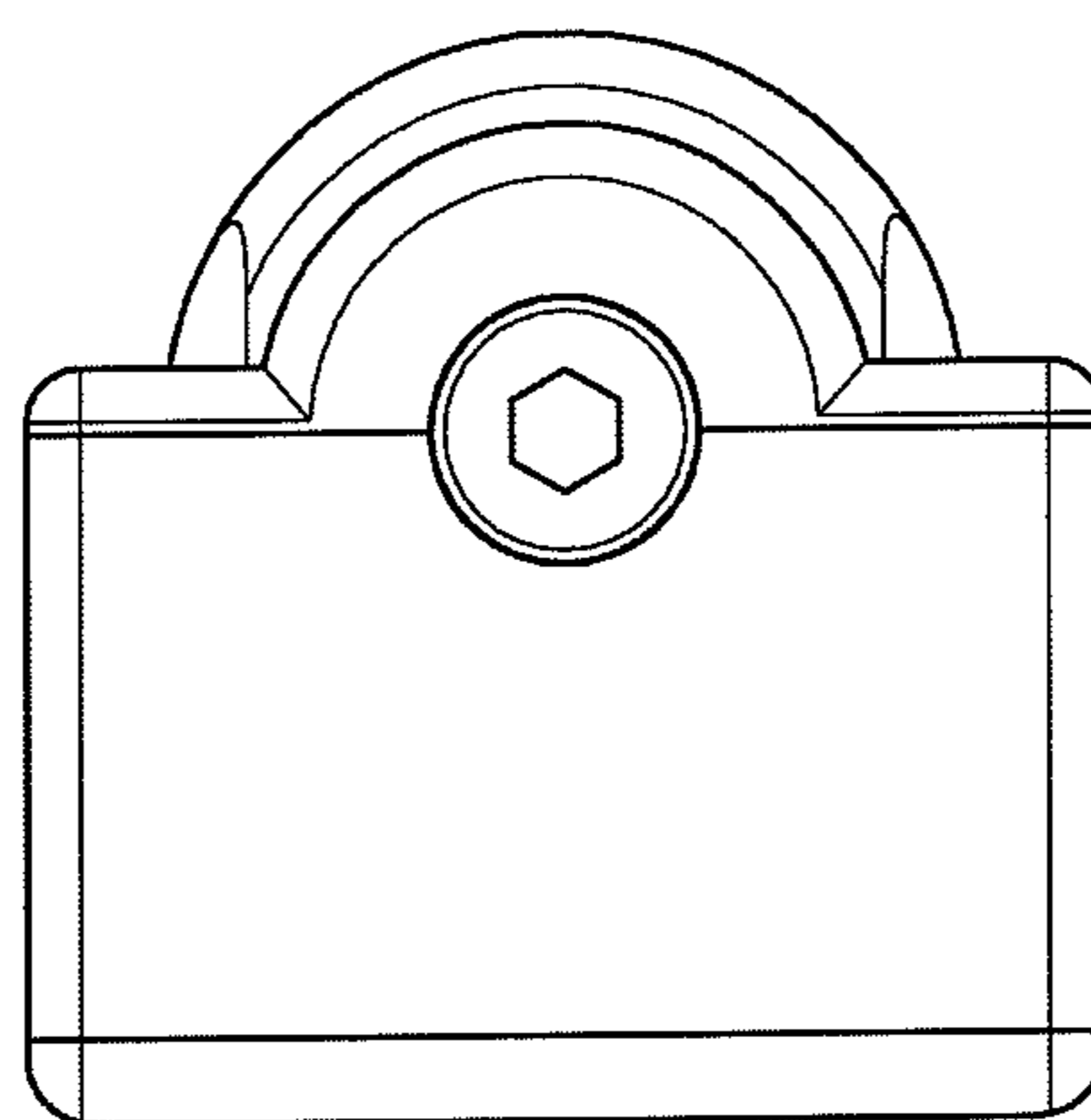


FIG. 5

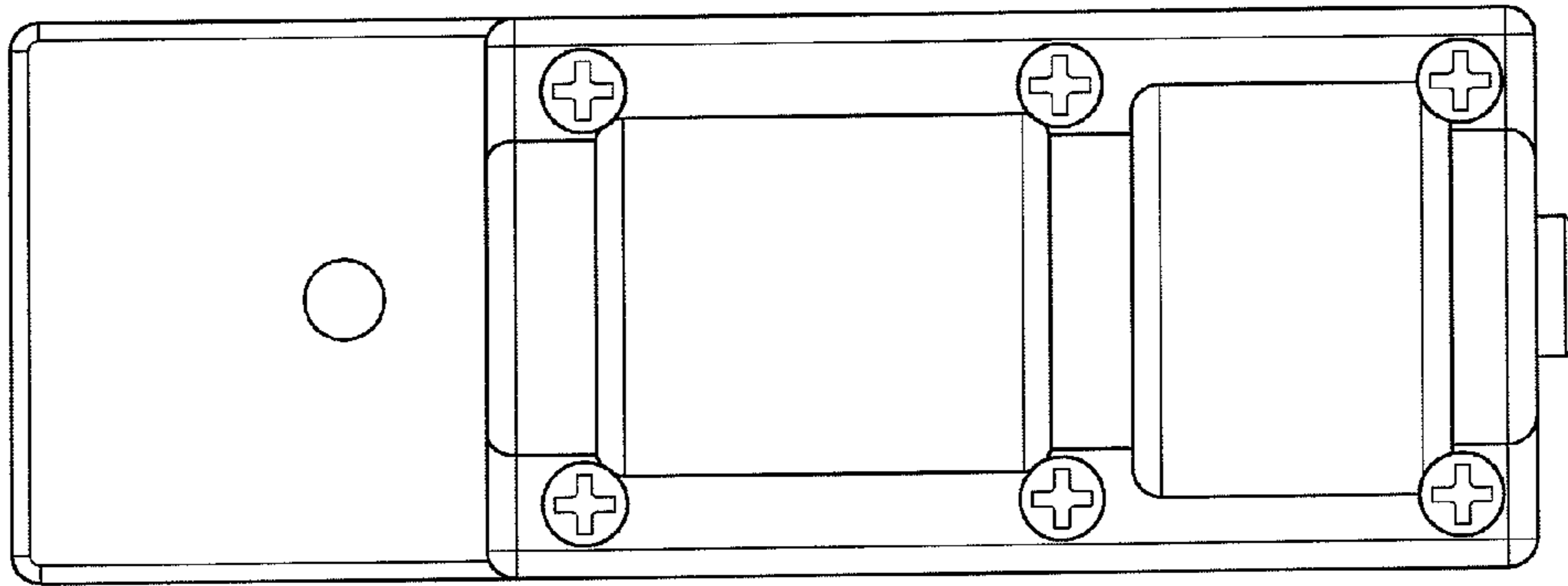


FIG. 6

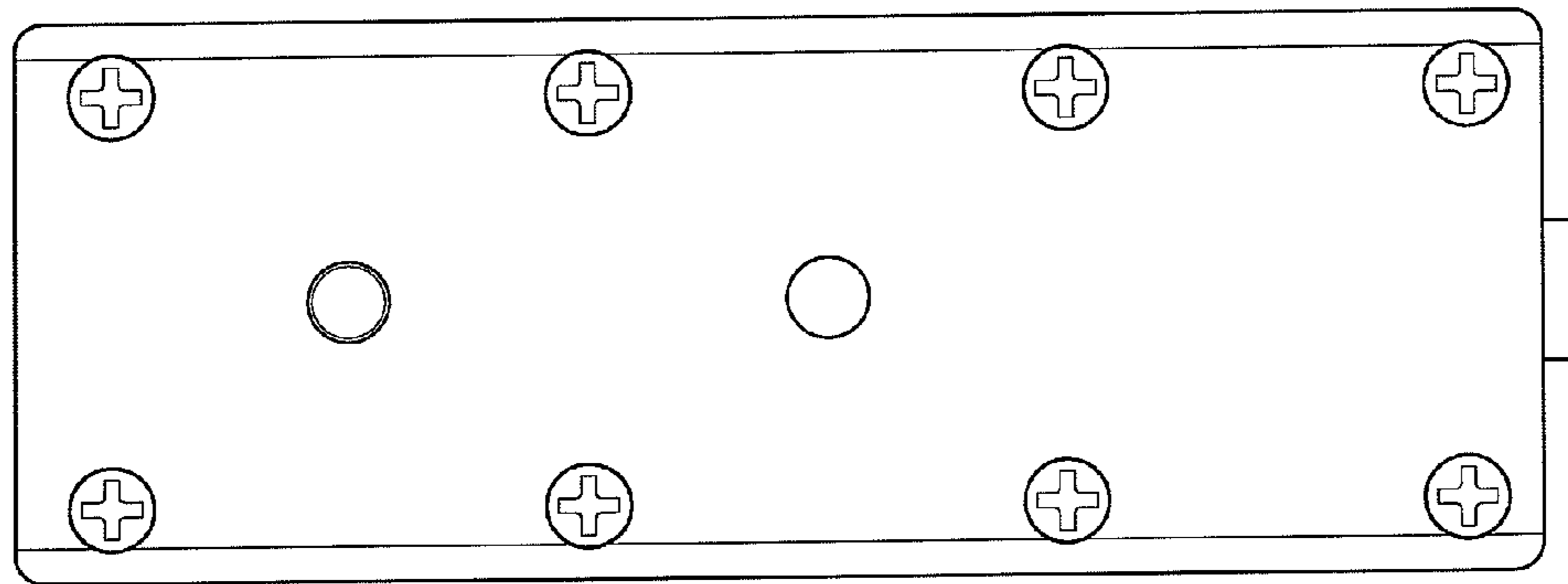


FIG. 7