



US00D690128S

(12) **United States Design Patent**  
**Cage**

(10) **Patent No.:** **US D690,128 S**

(45) **Date of Patent:** **\*\* Sep. 24, 2013**

(54) **SOAP HOLDER**

(71) Applicant: **James K. Cage**, Santa Ana, CA (US)

(72) Inventor: **James K. Cage**, Santa Ana, CA (US)

(\*\*) Term: **14 Years**

(21) Appl. No.: **29/435,727**

(22) Filed: **Oct. 26, 2012**

(51) **LOC (9) Cl.** ..... **23-02**

(52) **U.S. Cl.**  
USPC ..... **D6/540**

(58) **Field of Classification Search**  
USPC ..... D6/529, 536-540, 332; D7/502,  
D7/550, 554.2, 560; 206/77.1, 557, 587,  
206/823; 211/13.1, 87; D9/682, 690, 692  
See application file for complete search history.

(56) **References Cited**

U.S. PATENT DOCUMENTS

D276,292 S \* 11/1984 Rivera et al. .... D6/536  
5,377,367 A \* 1/1995 Bischoff ..... D6/540

D369,263 S \* 4/1996 Gregg ..... D6/540  
D402,839 S \* 12/1998 Bova et al. .... D6/540  
D536,540 S \* 2/2007 Partridge ..... D6/332  
D612,648 S \* 3/2010 Guindi ..... D6/536

\* cited by examiner

*Primary Examiner* — Brian N Vinson

(74) *Attorney, Agent, or Firm* — Rutan & Tucker LLP; Hani Z. Sayed

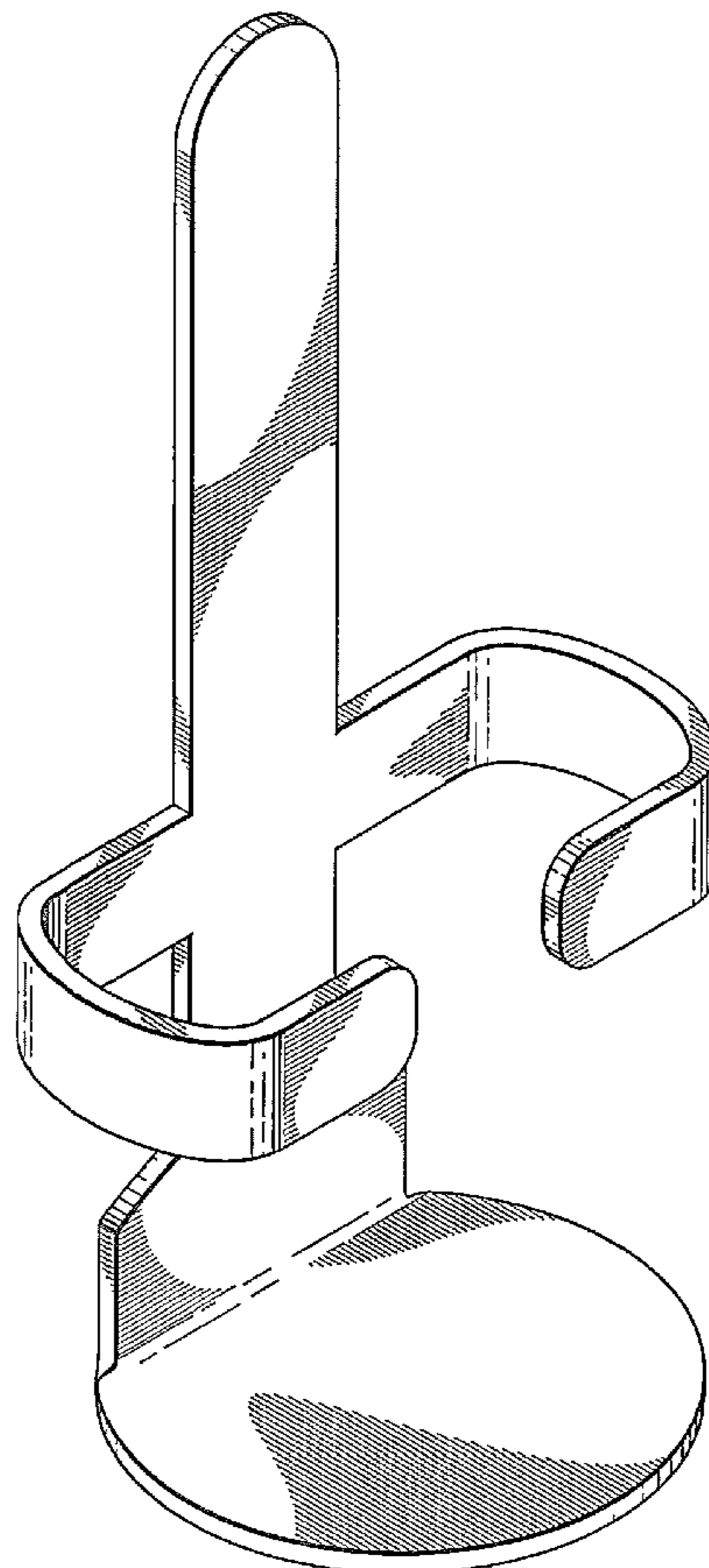
(57) **CLAIM**

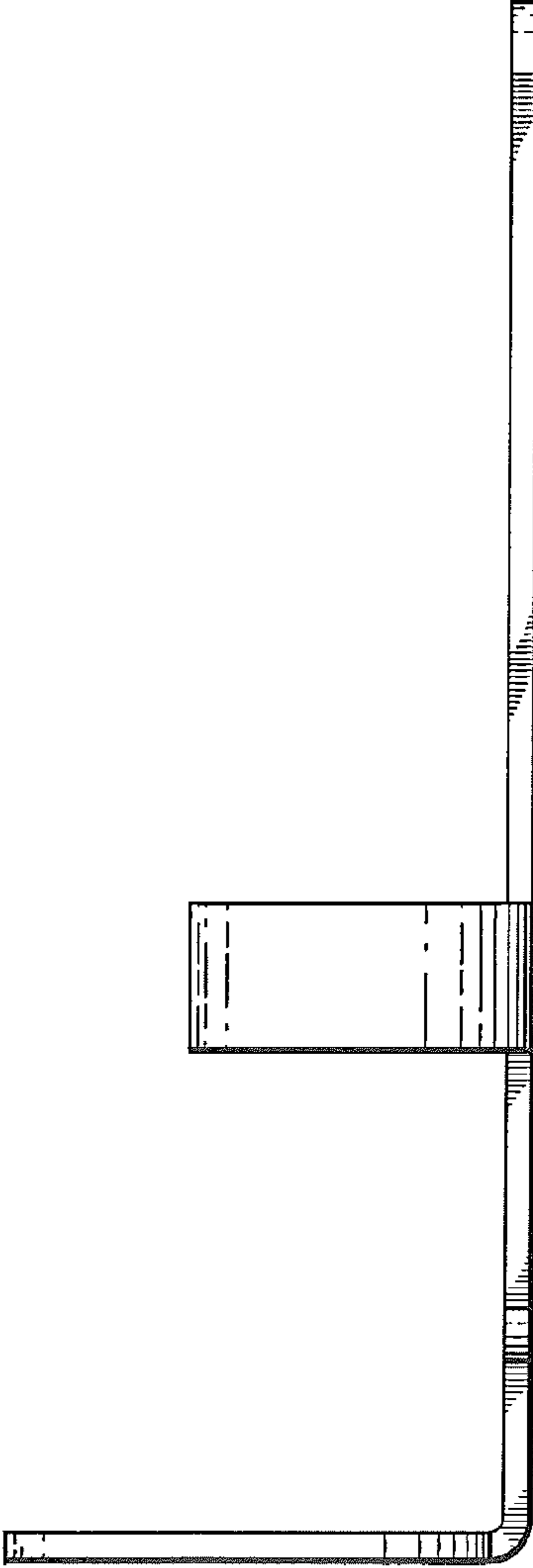
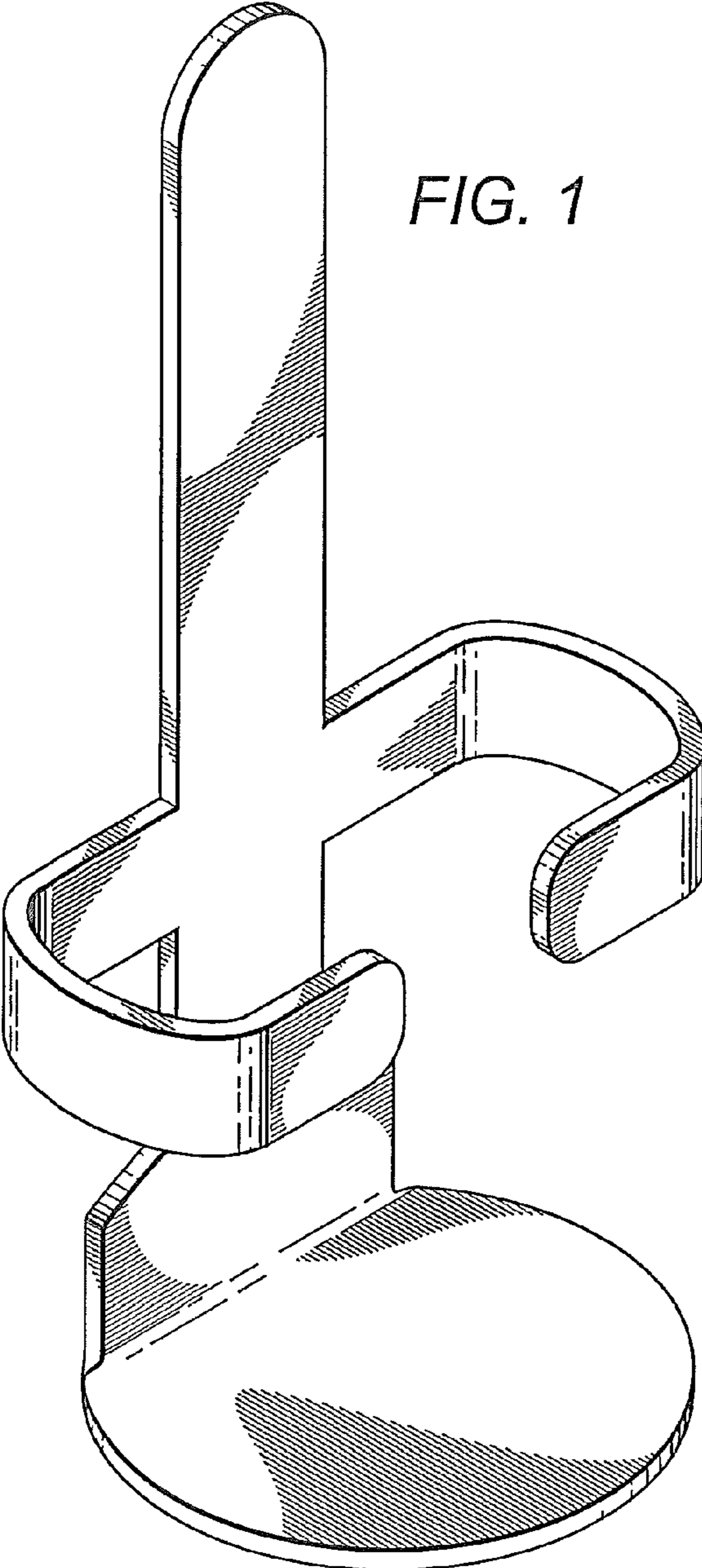
The ornamental design for soap holder, as shown and described.

**DESCRIPTION**

FIG. 1 is a top, front, left side perspective view of a soap holder showing my new design;  
FIG. 2 is a right side elevational view thereof, the left side being a mirror image of that shown;  
FIG. 3 is a front elevational view thereof;  
FIG. 4 is a rear elevational view thereof;  
FIG. 5 is a top plan view thereof; and,  
FIG. 6 is a bottom plan view thereof.

**1 Claim, 3 Drawing Sheets**





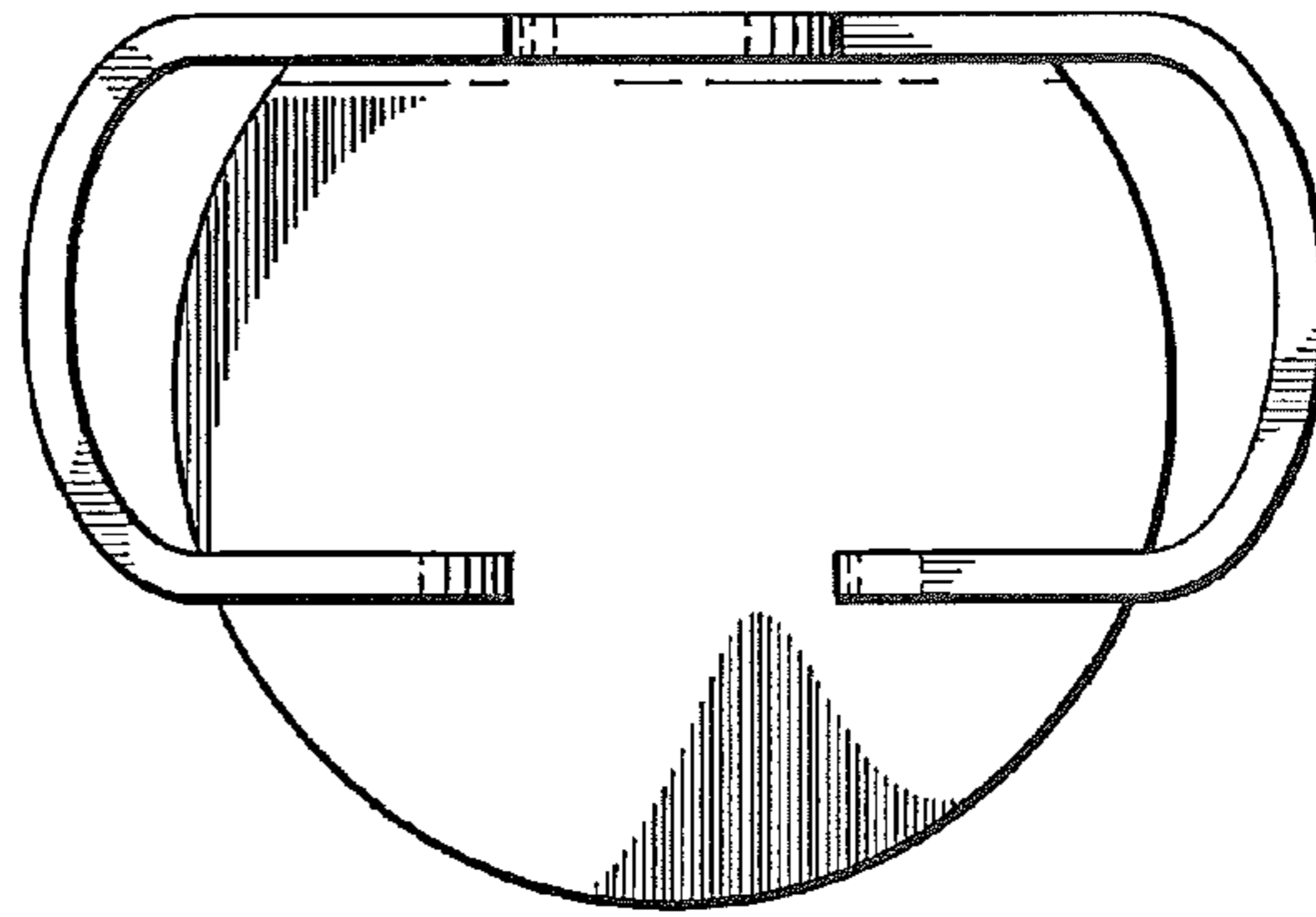


FIG. 5

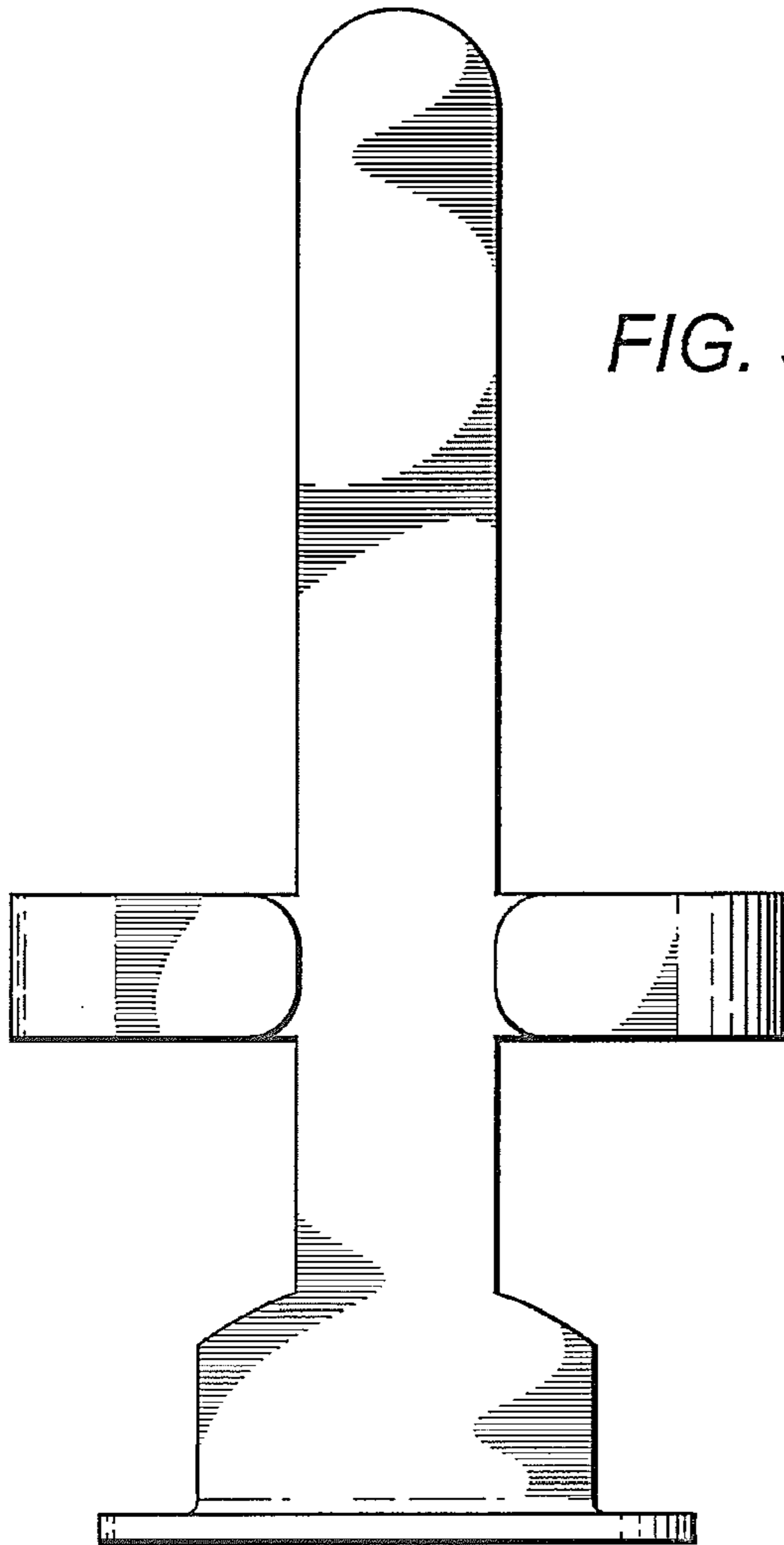


FIG. 3

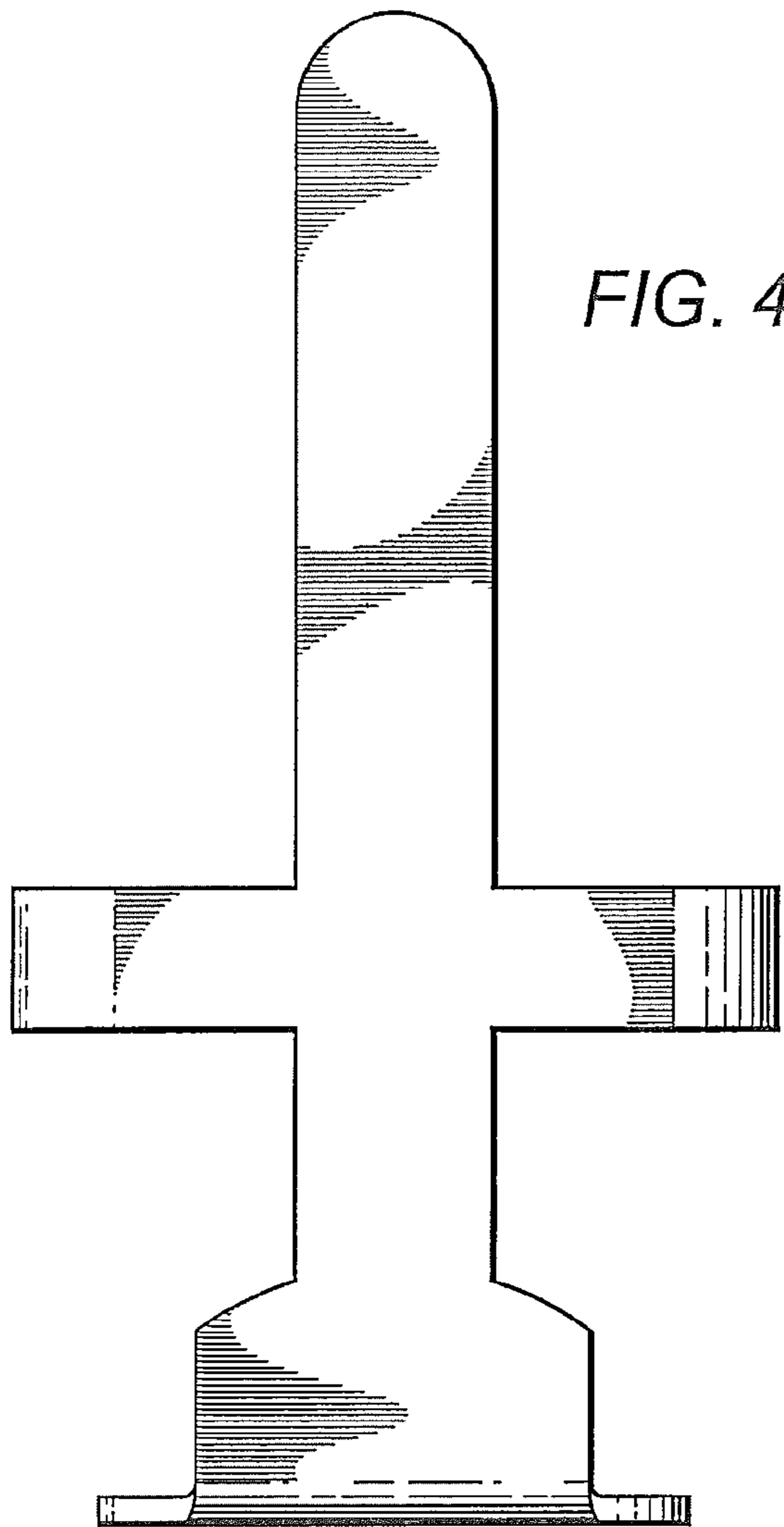


FIG. 6

