



US00D690124S

(12) **United States Design Patent**
Baker et al.

(10) **Patent No.:** **US D690,124 S**

(45) **Date of Patent:** **** Sep. 24, 2013**

(54) **CABINET DOOR**

(75) Inventors: **James Baker**, Bonner Springs, KS (US);
Stephen Hopkins, Kansas City, MO
(US); **Lindsey Weber**, Kansas City, MO
(US); **Lauren Daly**, Olathe, KS (US)

(73) Assignee: **Dimensional Innovations, Inc.**,
Overland Park, KS (US)

(**) Term: **14 Years**

(21) Appl. No.: **29/409,959**

(22) Filed: **Dec. 30, 2011**

(51) **LOC (9) Cl.** **06-06**

(52) **U.S. Cl.**
USPC **D6/492**

(58) **Field of Classification Search**
USPC D6/300, 309, 396, 436-439, 444-448,
D6/460-468, 470-479, 491-495, 509-511,
D6/559, 561, 657, 660-662, 662.1, 671, 671.1-
D6/671.3, 672-675, 675.1, 678.4, 699, 705.52;
D9/572; D10/106.1, 108, 116.1; D32/25;
49/398; 52/393; 211/42-50, 90.01, 133.1,
211/186-189; 264/324; 312/50, 107-109,
312/117-119, 122, 194, 198, 204-209, 224-234,
312/242, 245, 278-279

See application file for complete search history.

(56) **References Cited**

U.S. PATENT DOCUMENTS

2,402,548 A * 6/1946 Guyer 264/324
2,816,331 A * 12/1957 Moore 52/393
2,901,782 A * 9/1959 Ullman, Jr. 49/398
3,069,217 A * 12/1962 Kors 312/209
D259,864 S * 7/1981 Snyder D10/116.1
D264,564 S * 5/1982 Jaretsky D10/106.1
D272,993 S * 3/1984 Chan D10/106.1

D276,300 S * 11/1984 Moodie D6/494
D303,638 S * 9/1989 Andrews et al. D10/106.1
D380,884 S * 7/1997 Gormly D32/25
D563,234 S * 3/2008 Moreno D9/572
D589,833 S * 4/2009 Kim D10/108
D635,802 S * 4/2011 Voron et al. D6/492

* cited by examiner

Primary Examiner — Ricky Pham

(74) *Attorney, Agent, or Firm* — Shook Hardy & Bacon LLP

(57) **CLAIM**

The ornamental design for the cabinet door, as shown and described.

DESCRIPTION

FIG. 1 is a front perspective view of a cabinet door showing the new design;

FIG. 2 is a bottom plan view thereof;

FIG. 3 is a front elevation view thereof;

FIG. 4 is a left-side elevation view thereof with a right-side elevation view being a mirror image; and,

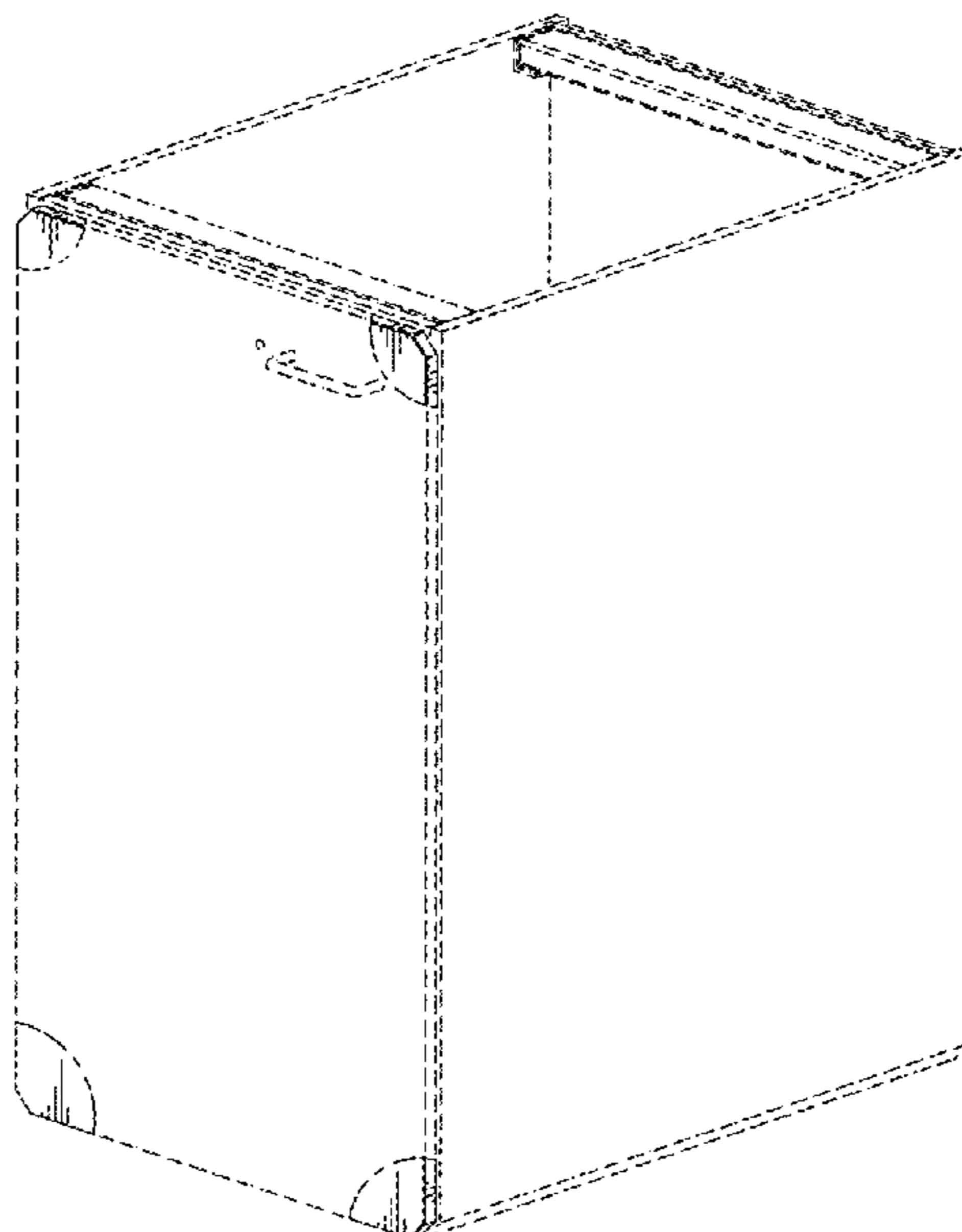
FIG. 5 is a front perspective view similar to FIG. 1, but with the cabinet door moved to an open position.

The evenly spaced broken lines shown in the drawings are directed to environment, are for informational purposes only, and form no part of the claimed design.

The long and short broken lines are boundary lines which define the bounds of the claimed design. These boundaries do not exist in reality in the article embodying the design. It is understood that the claimed design extends to these boundaries but do not include the boundaries.

The surface shading lines on the claimed portion are provided only to indicate the character and/or any contour or curvature of the surfaces. They do not indicate color, texture, markings that actually exist thereon, indicia, graphic representations, surface treatment, or any other ornamentation applied to the article.

1 Claim, 3 Drawing Sheets



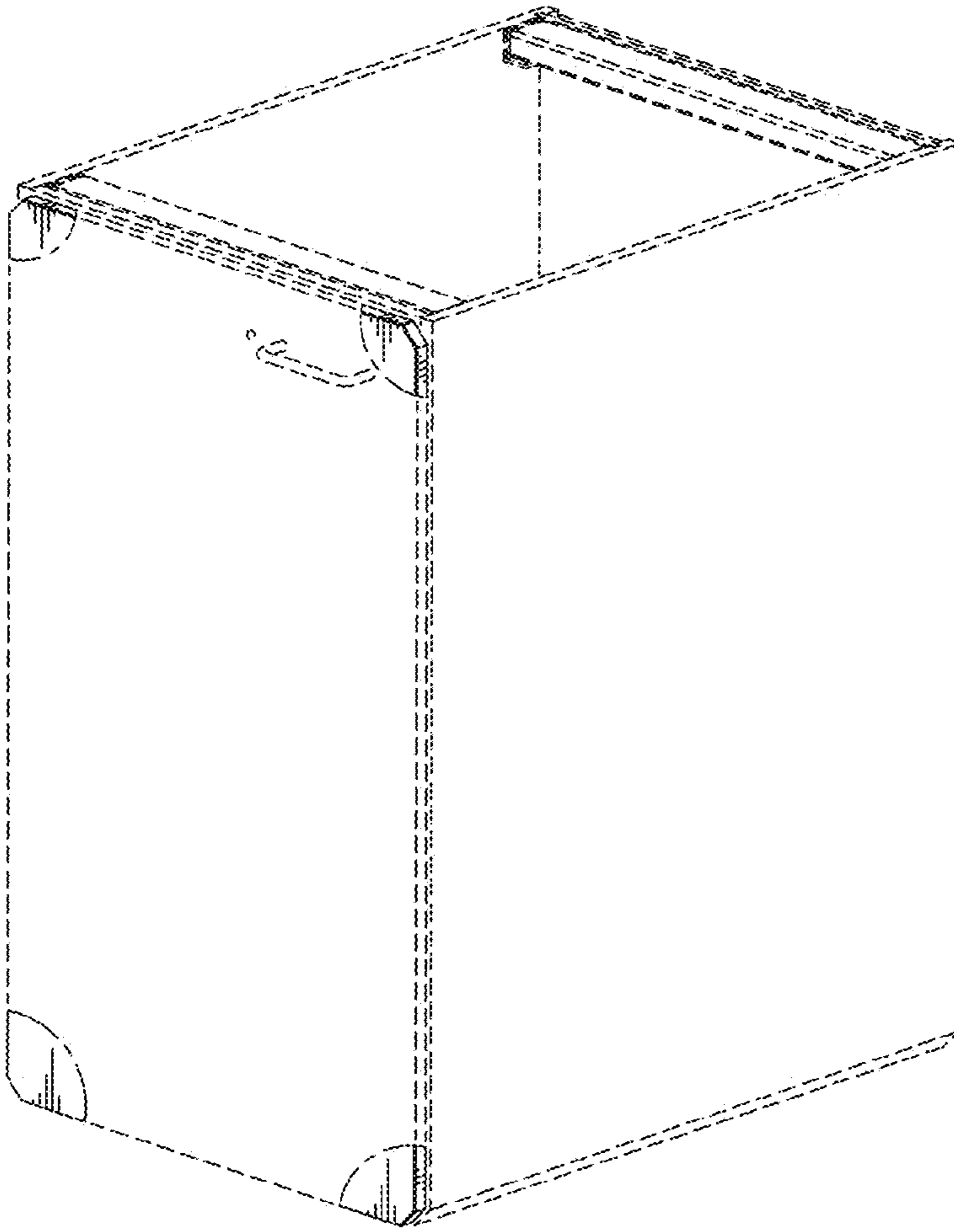


FIG. 1.

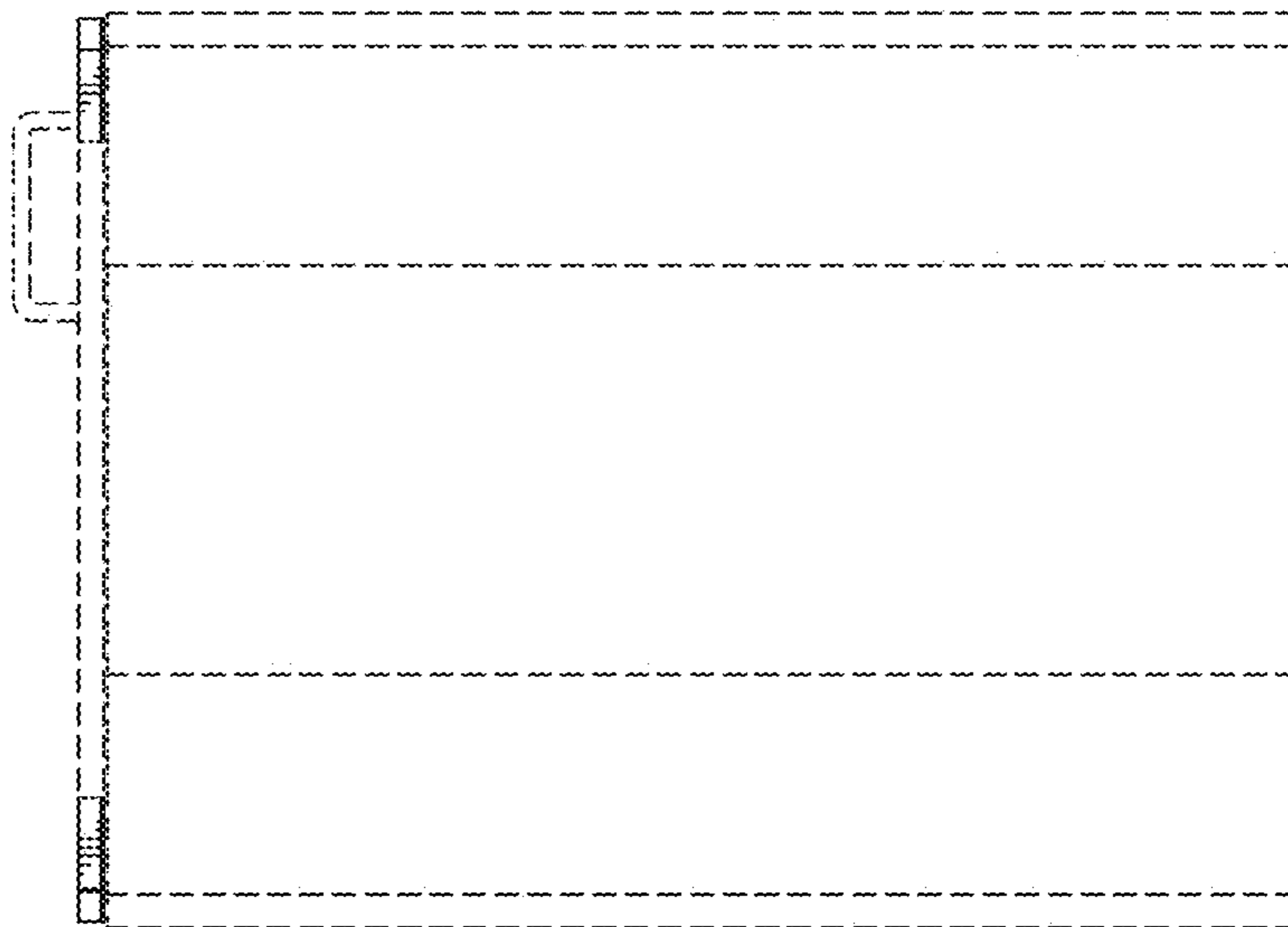


FIG. 2.

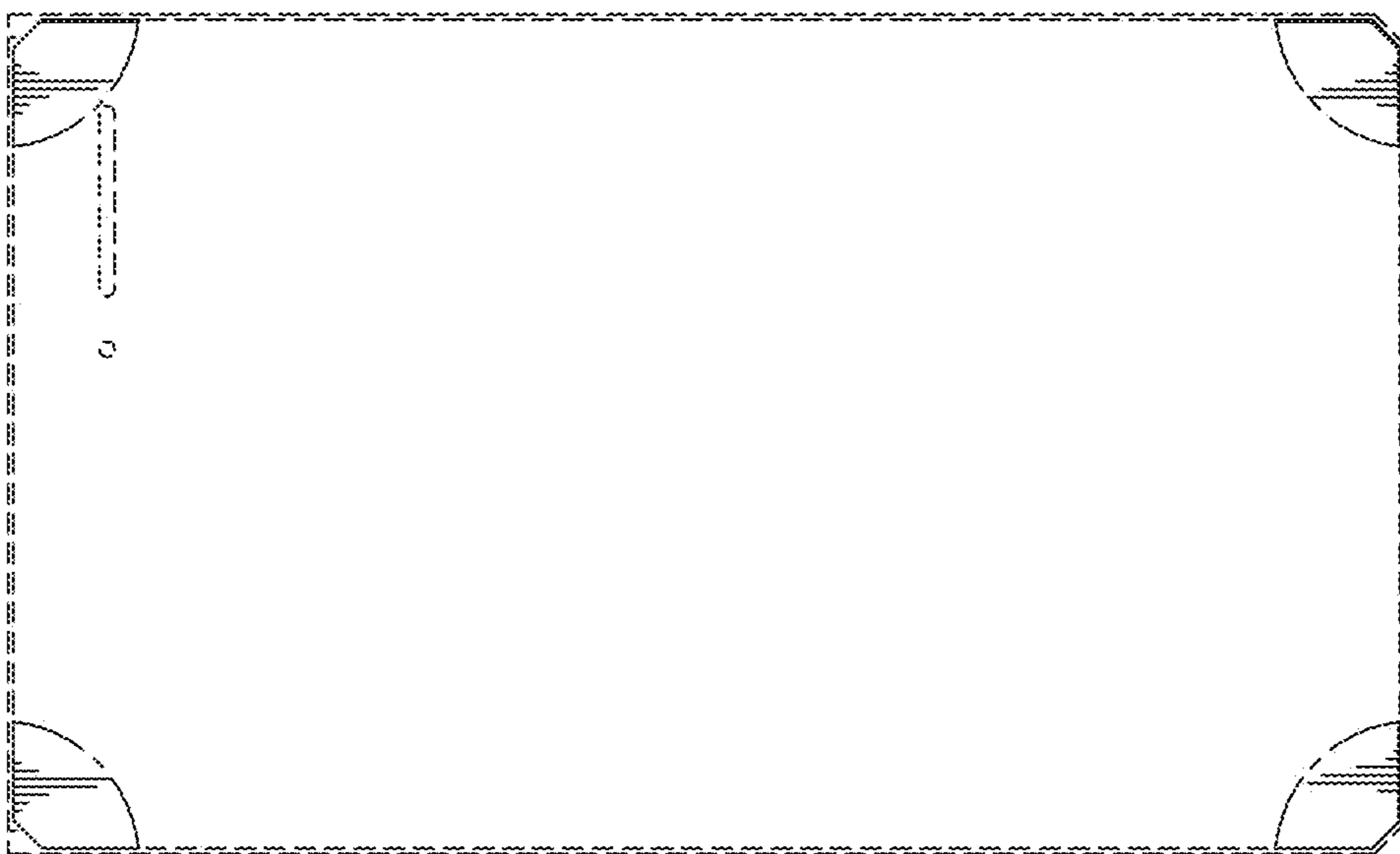


FIG. 3.

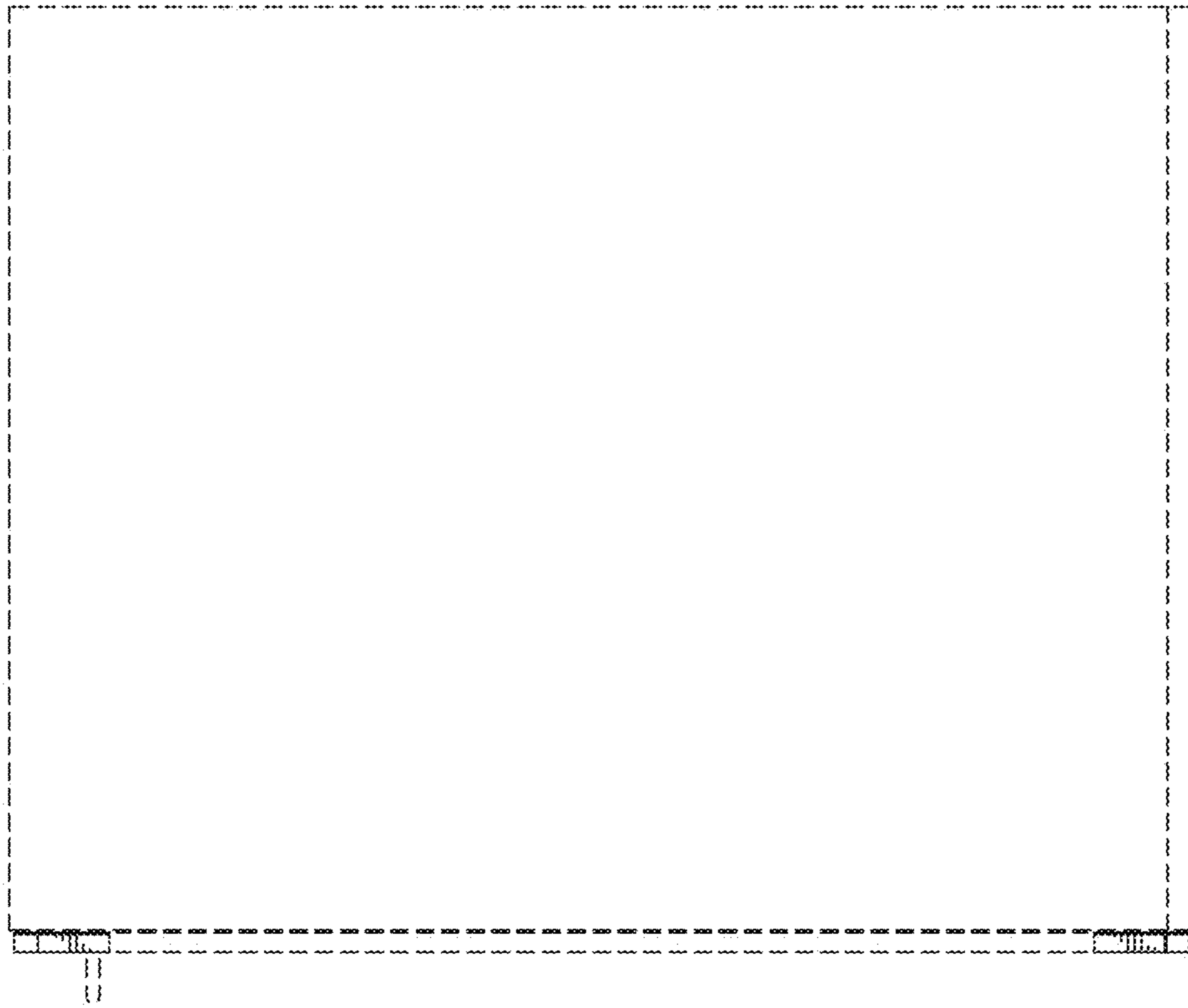


FIG. 4.

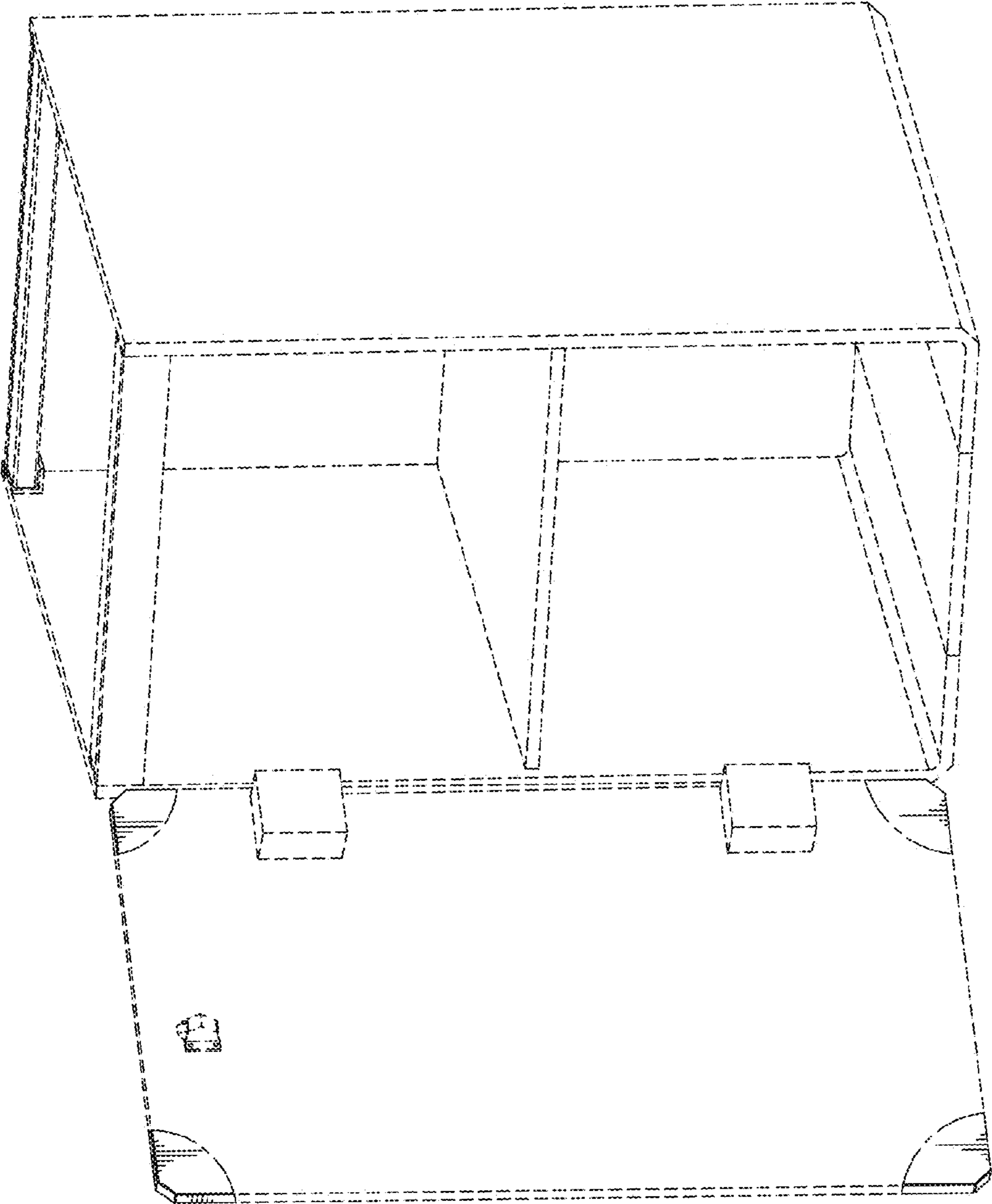


FIG. 5.