



US00D690121S

(12) **United States Design Patent**
Banda

(10) **Patent No.:** **US D690,121 S**

(45) **Date of Patent:** **** Sep. 24, 2013**

(54) **CHAISE**

(71) Applicant: **Andrea Banda**, Baldwin, MS (US)

(72) Inventor: **Andrea Banda**, Baldwin, MS (US)

(**) Term: **14 Years**

(21) Appl. No.: **29/452,567**

(22) Filed: **Apr. 18, 2013**

Related U.S. Application Data

(62) Division of application No. 29/405,179, filed on Oct. 31, 2011, now Pat. No. Des. 683,158.

(51) **LOC (9) Cl.** **06-01**

(52) **U.S. Cl.**
USPC **D6/361**

(58) **Field of Classification Search**
USPC D6/334-336, 360, 361, 374, 375,
D6/381, 716, 716.1, 716.2, 716.4; 5/12.1,
5/652; 297/232, 411.45, 411.46, 423.1, 445.1,
297/446.1

See application file for complete search history.

(56) **References Cited**

U.S. PATENT DOCUMENTS

D188,785 S *	9/1960	Maurer	D6/361
D225,289 S *	12/1972	Perno	D6/361
D269,482 S *	6/1983	Ungaro	D6/361
D308,768 S *	6/1990	Ferro	D6/361
D366,571 S *	1/1996	Hutton	D6/361
D400,364 S *	11/1998	Hutton	D6/361
D434,237 S *	11/2000	Binder et al.	D6/361
D437,128 S *	2/2001	Binder et al.	D6/361
D465,098 S *	11/2002	Kreiss	D6/361
D579,222 S *	10/2008	Schmitt	D6/361
D643,639 S *	8/2011	Lewis	D6/361
D644,848 S *	9/2011	Lewis	D6/361

* cited by examiner

Primary Examiner — Mimosa De

(74) *Attorney, Agent, or Firm* — Jeremy A. Smith; John W. Smith T.; Bradley Arant Boult Cummings LLP

(57) **CLAIM**

The ornamental design for a chaise, as shown and described.

DESCRIPTION

FIG. 1 shows a front perspective view of the chaise.

FIG. 2 shows an alternate front perspective view of the chaise shown in FIG. 1.

FIG. 3 shows a front view of the chaise shown in FIG. 1.

FIG. 4 shows a rear view of the chaise shown in FIG. 1.

FIG. 5 shows a top view of the chaise shown in FIG. 1.

FIG. 6 shows side view of the chaise shown in FIG. 1.

FIG. 7 shows an alternate side view of the chaise shown in FIG. 1.

FIG. 8 shows a front perspective view of an alternate embodiment of the chaise.

FIG. 9 shows an alternate front perspective view of the embodiment of the chaise shown in FIG. 8.

FIG. 10 shows a front view of the embodiment of the chaise shown in FIG. 8.

FIG. 11 shows a rear view of the embodiment of the chaise shown in FIG. 8.

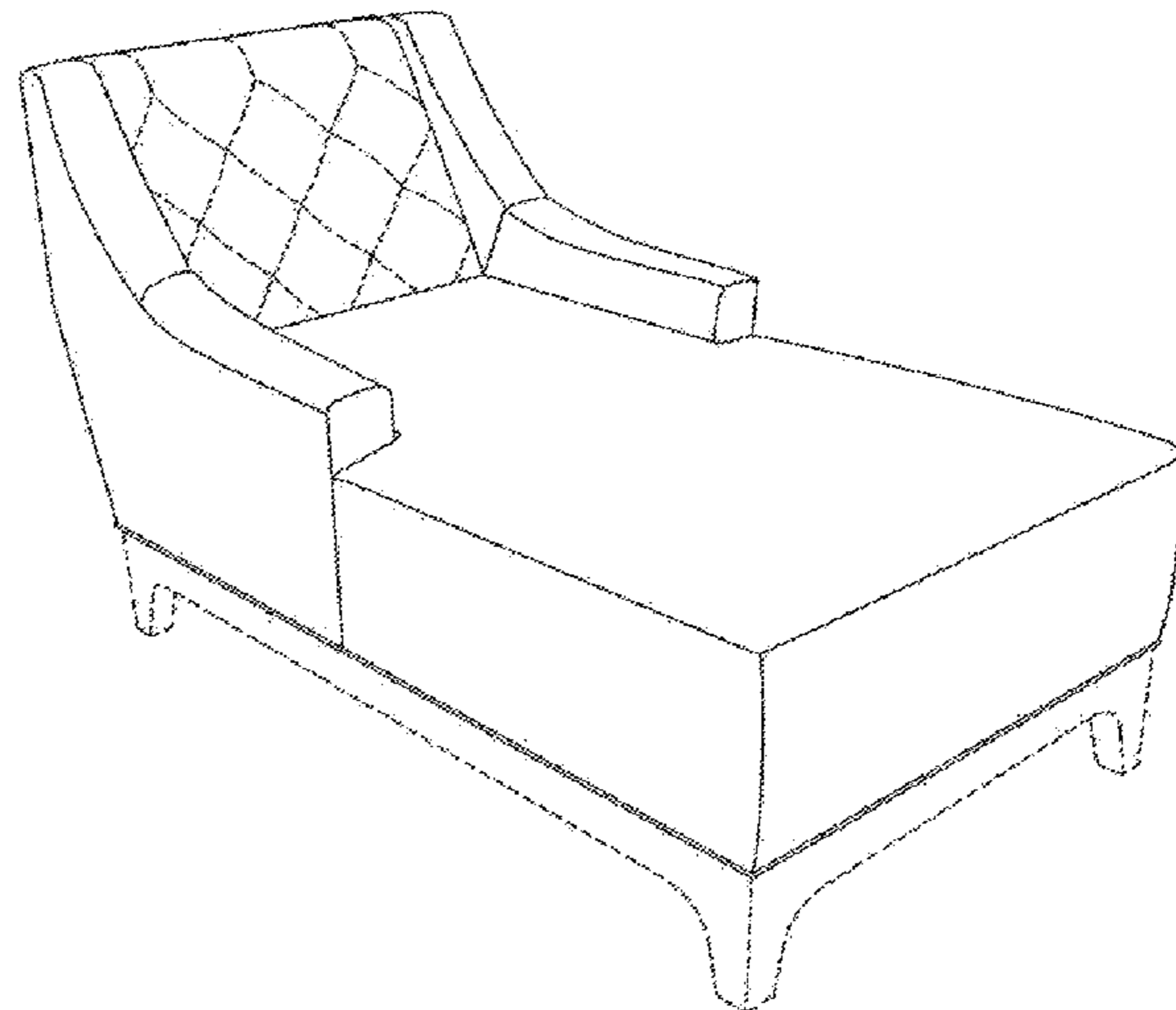
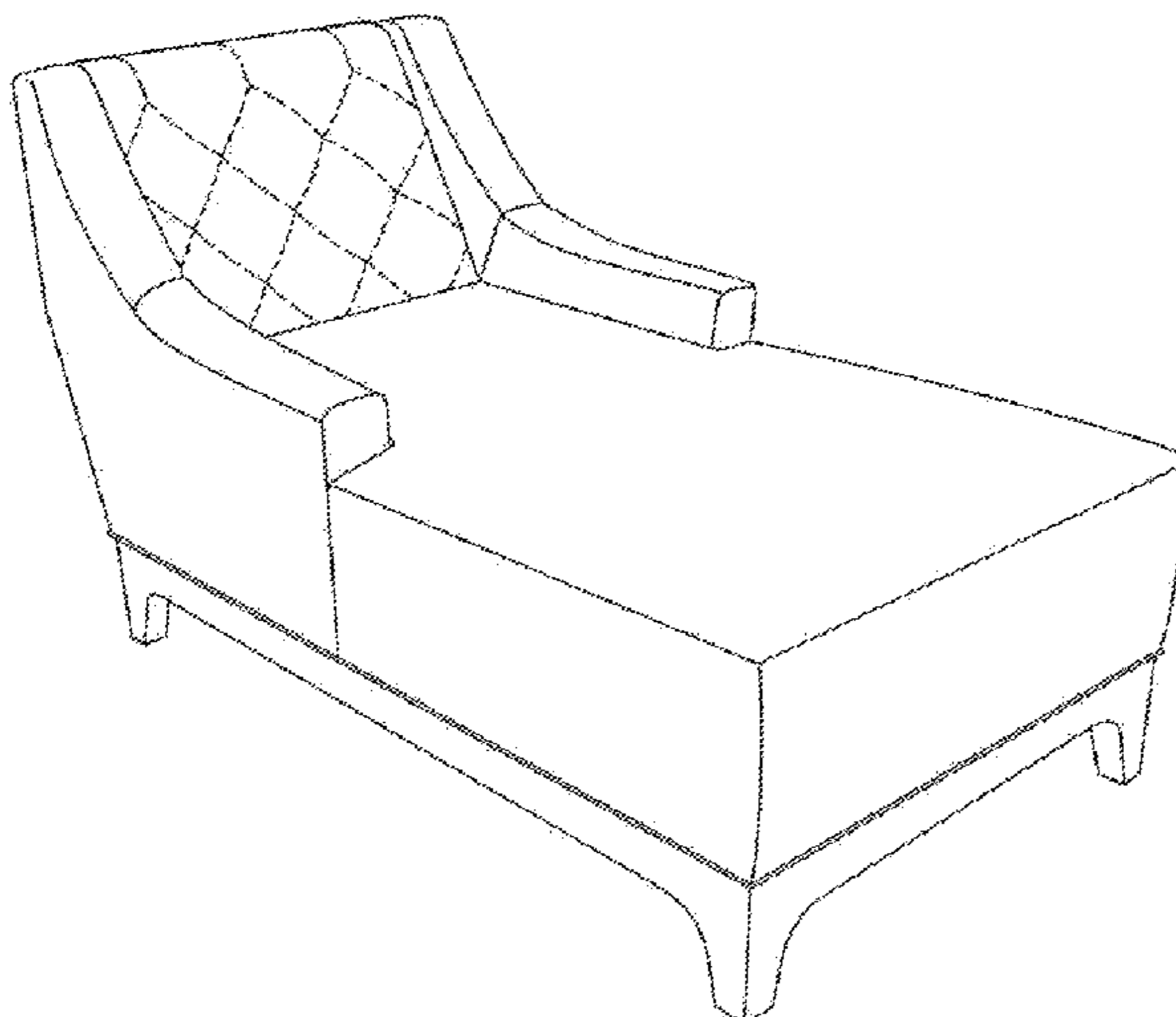
FIG. 12 shows a top view of the embodiment of the chaise shown in FIG. 8.

FIG. 13 shows side view of the embodiment of the chaise shown in FIG. 8; and,

FIG. 14 shows an alternate side view of the embodiment of the chaise shown in FIG. 8.

The dashed lines shown in the drawings illustrate environmental structure and form no part of the claimed design.

1 Claim, 12 Drawing Sheets



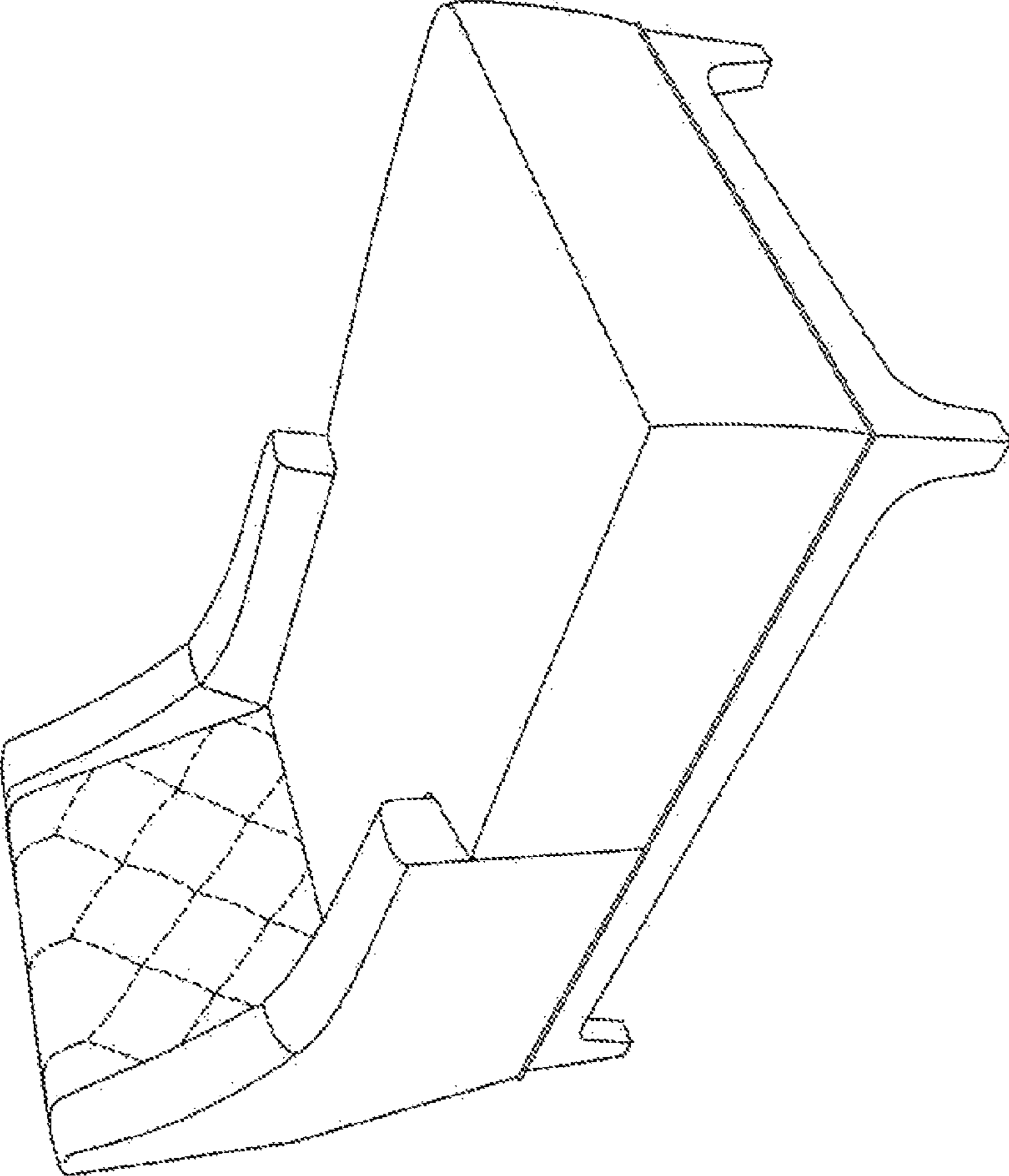


FIG. 1

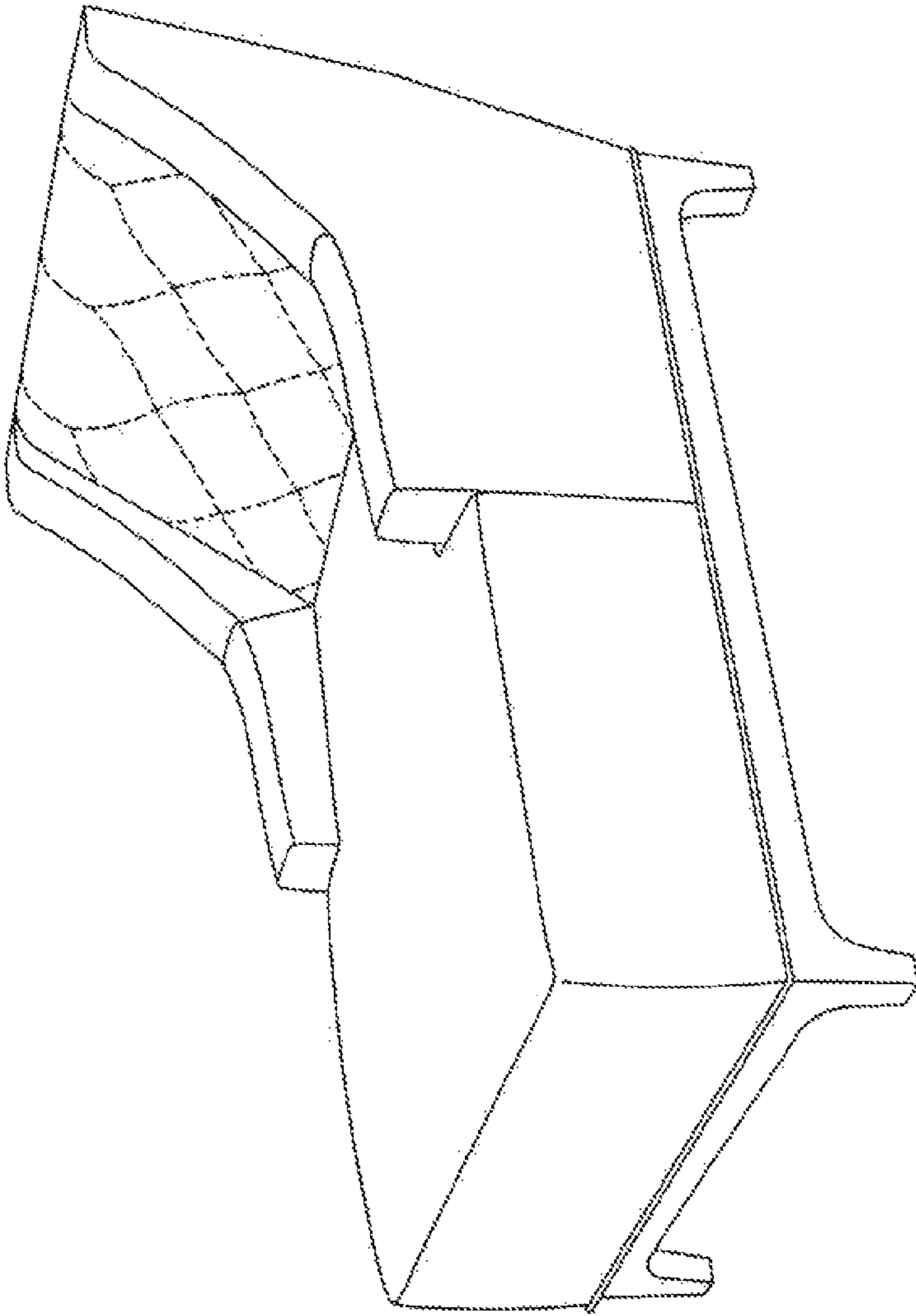


FIG. 2

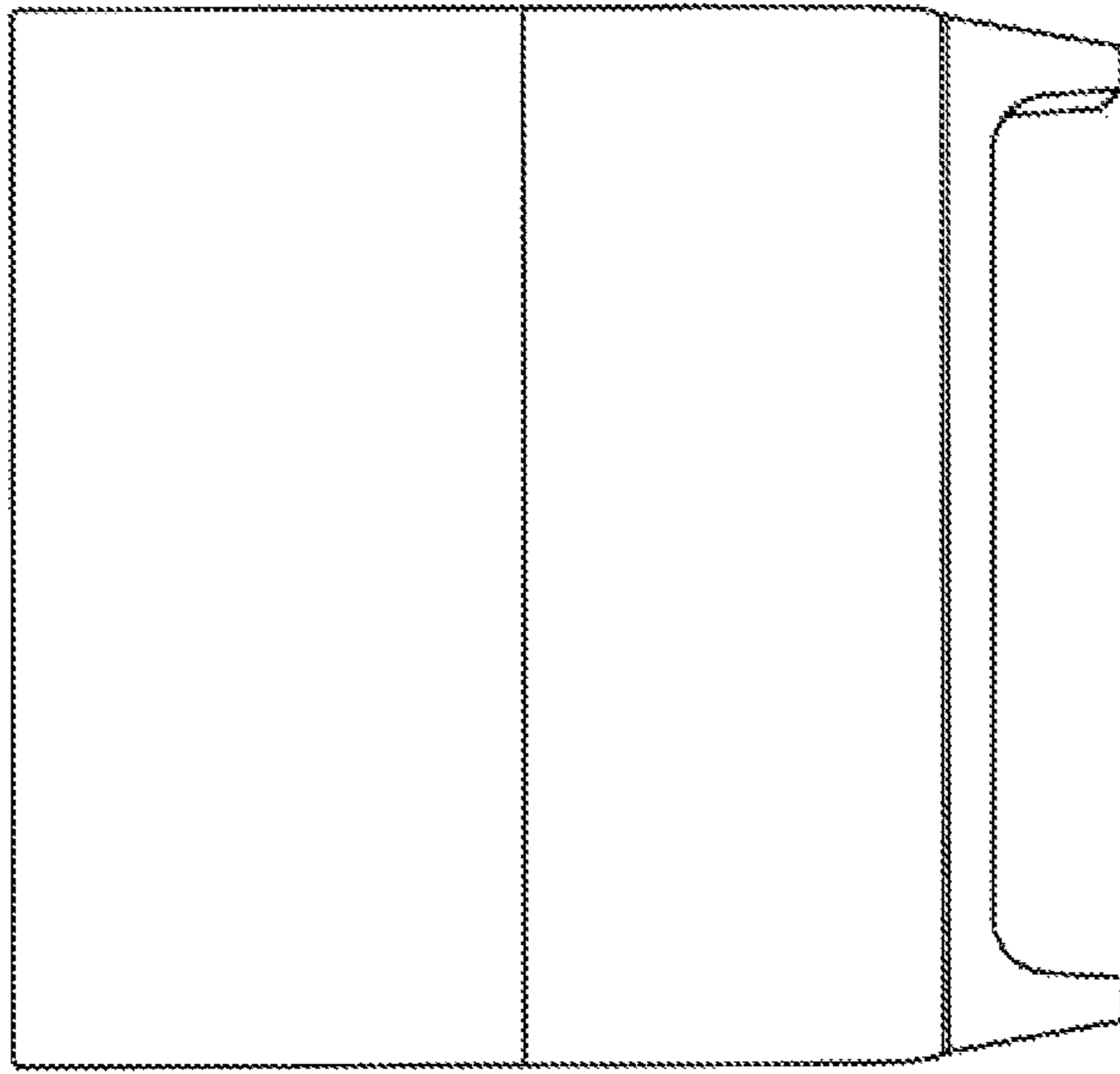


FIG. 4

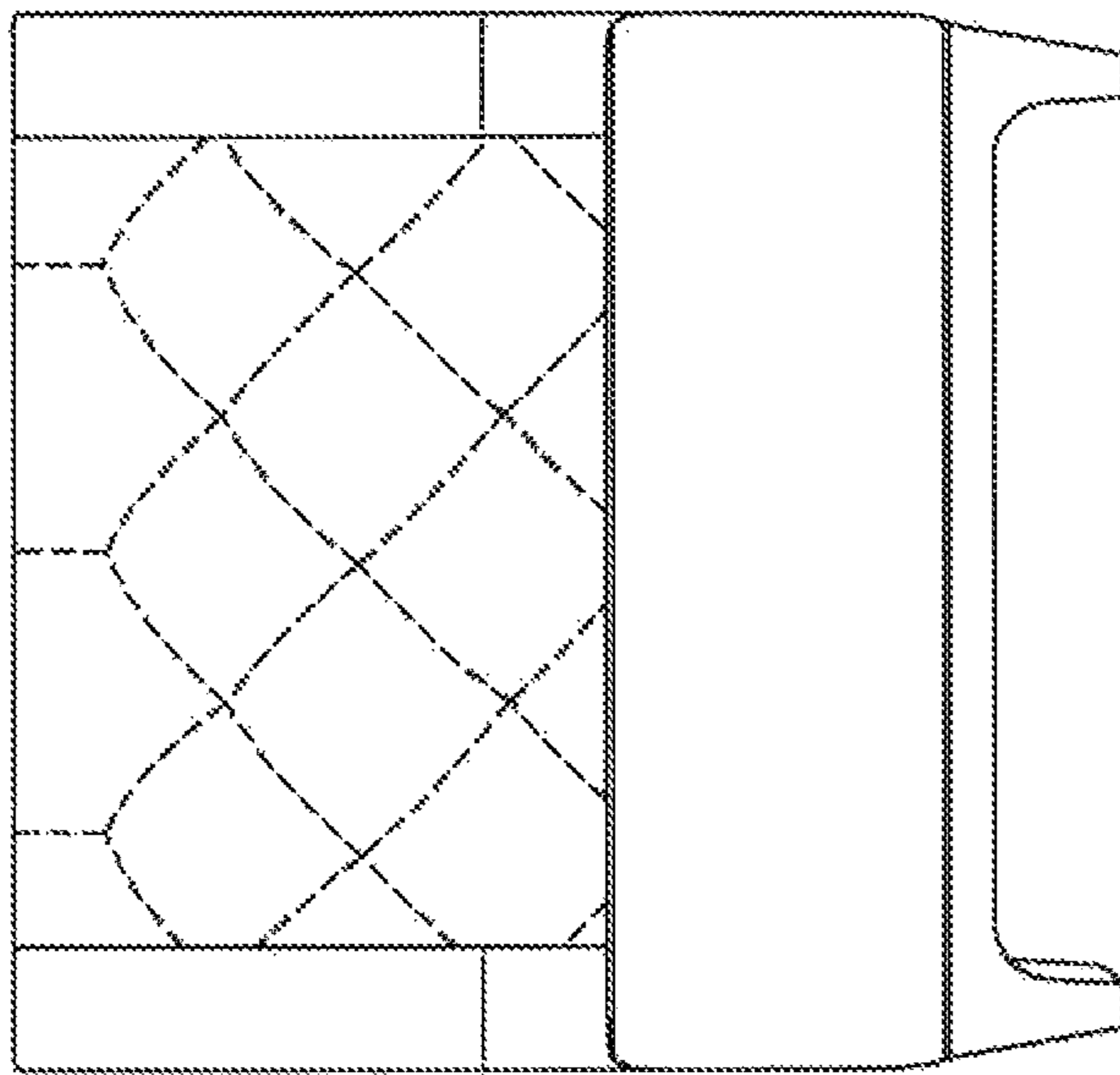


FIG. 3

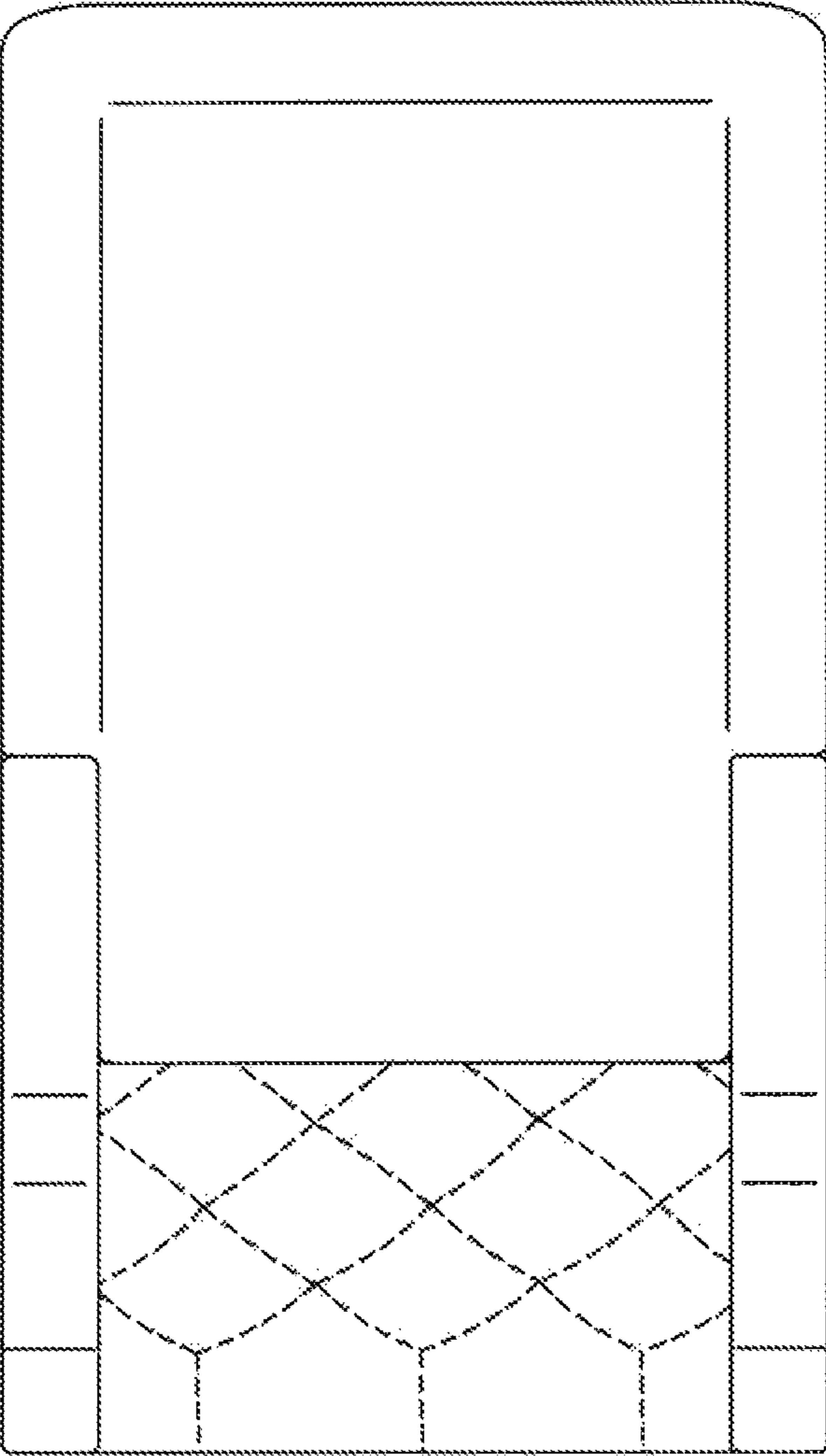


FIG. 5

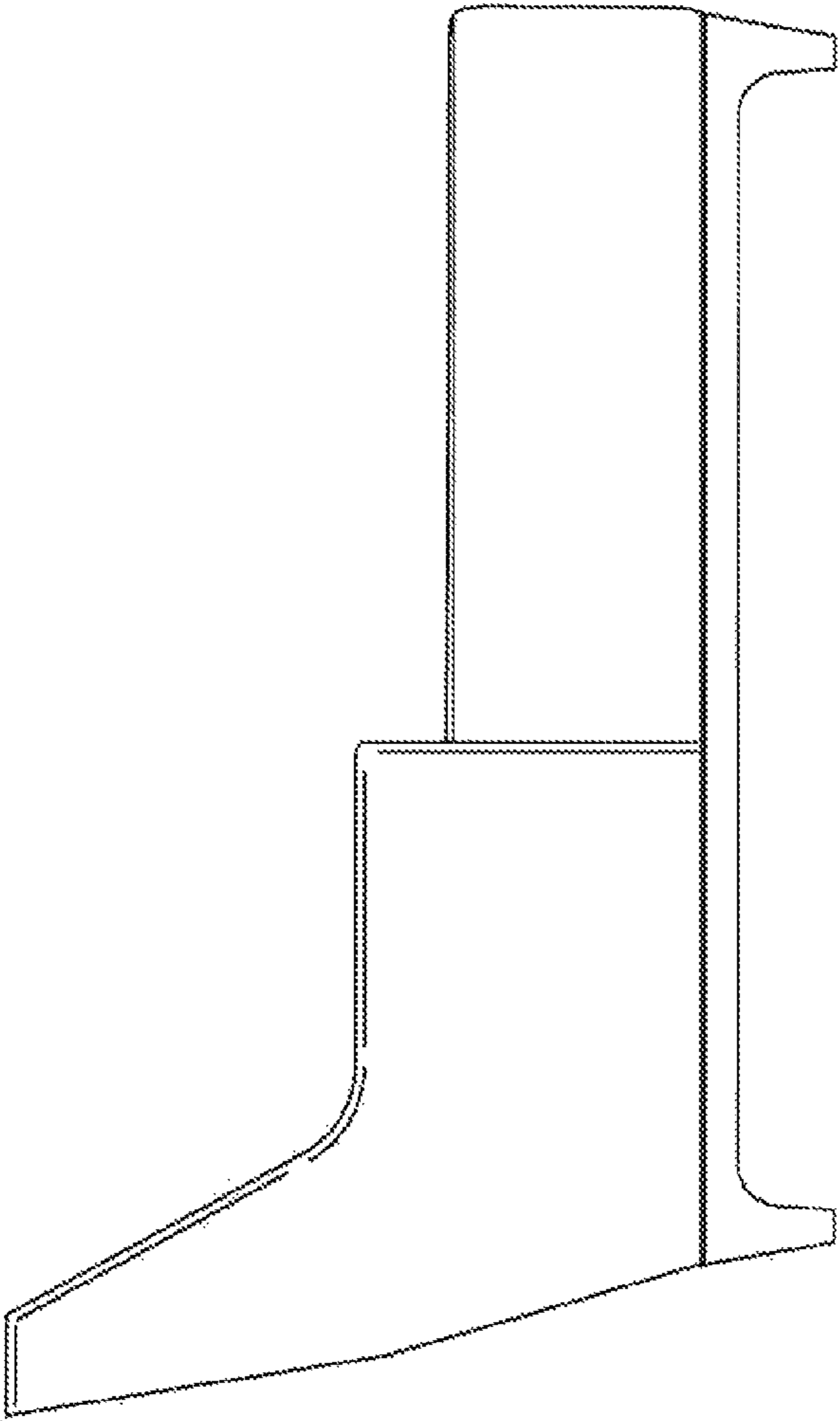


FIG. 6

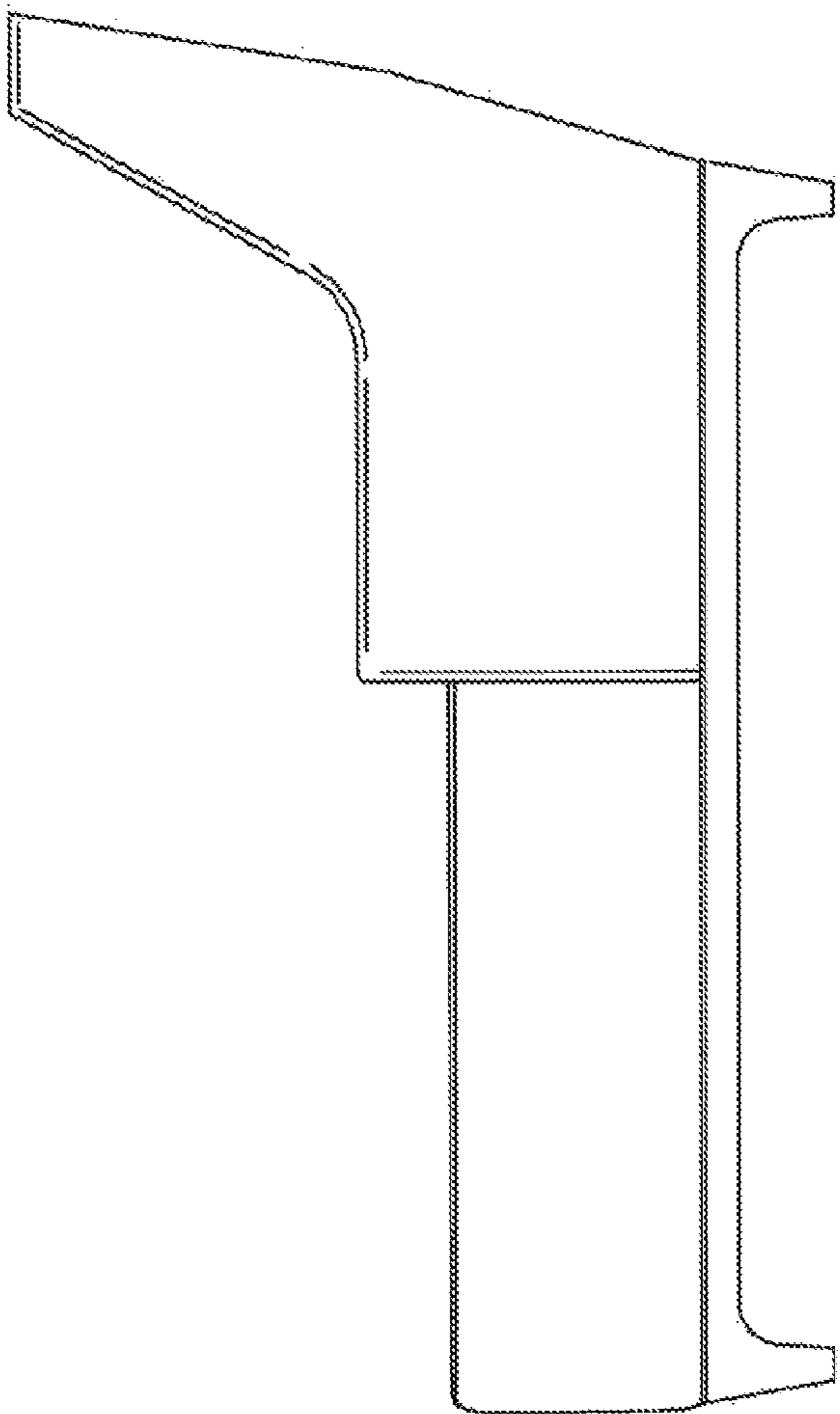


FIG. 7

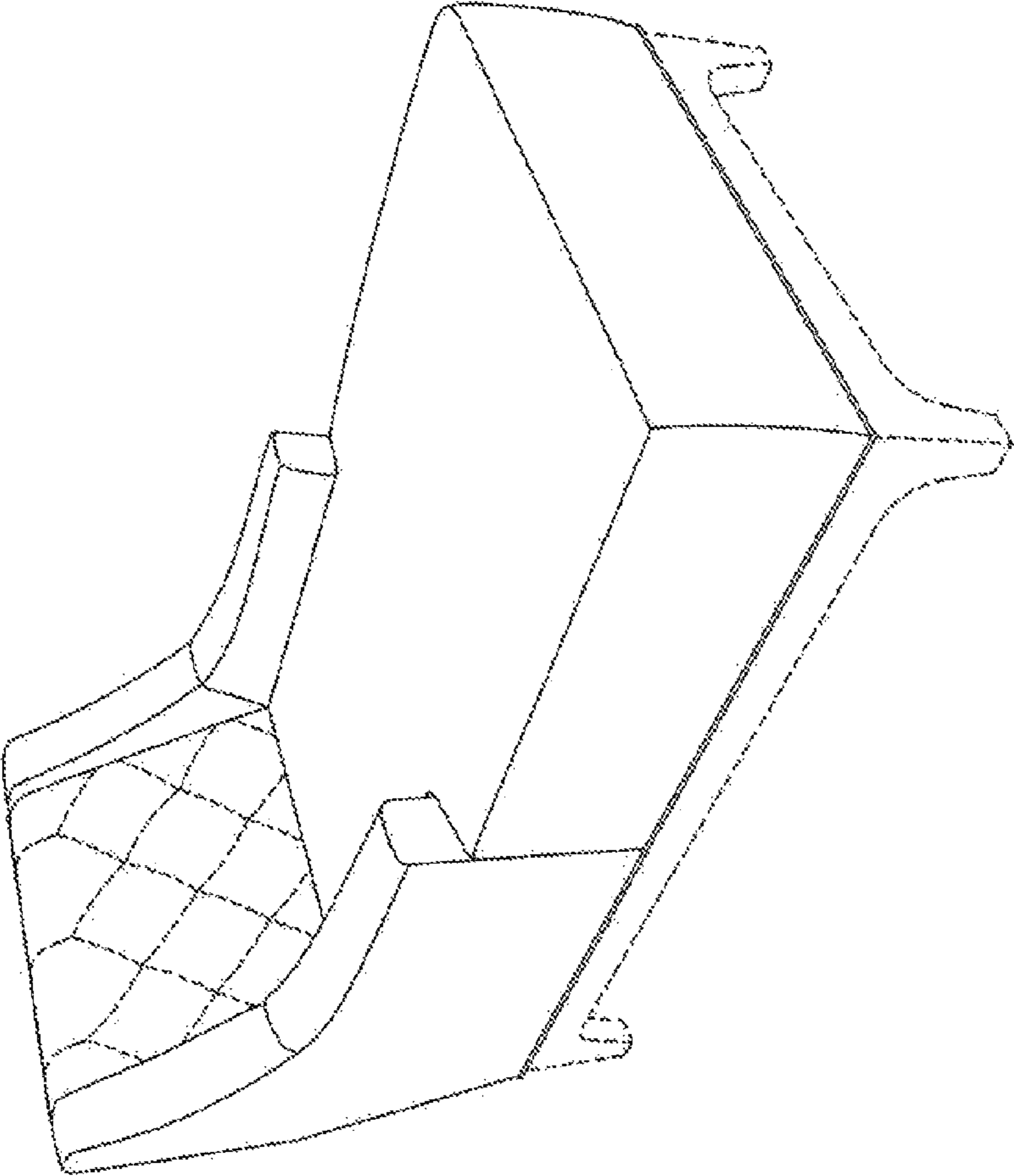


FIG. 8

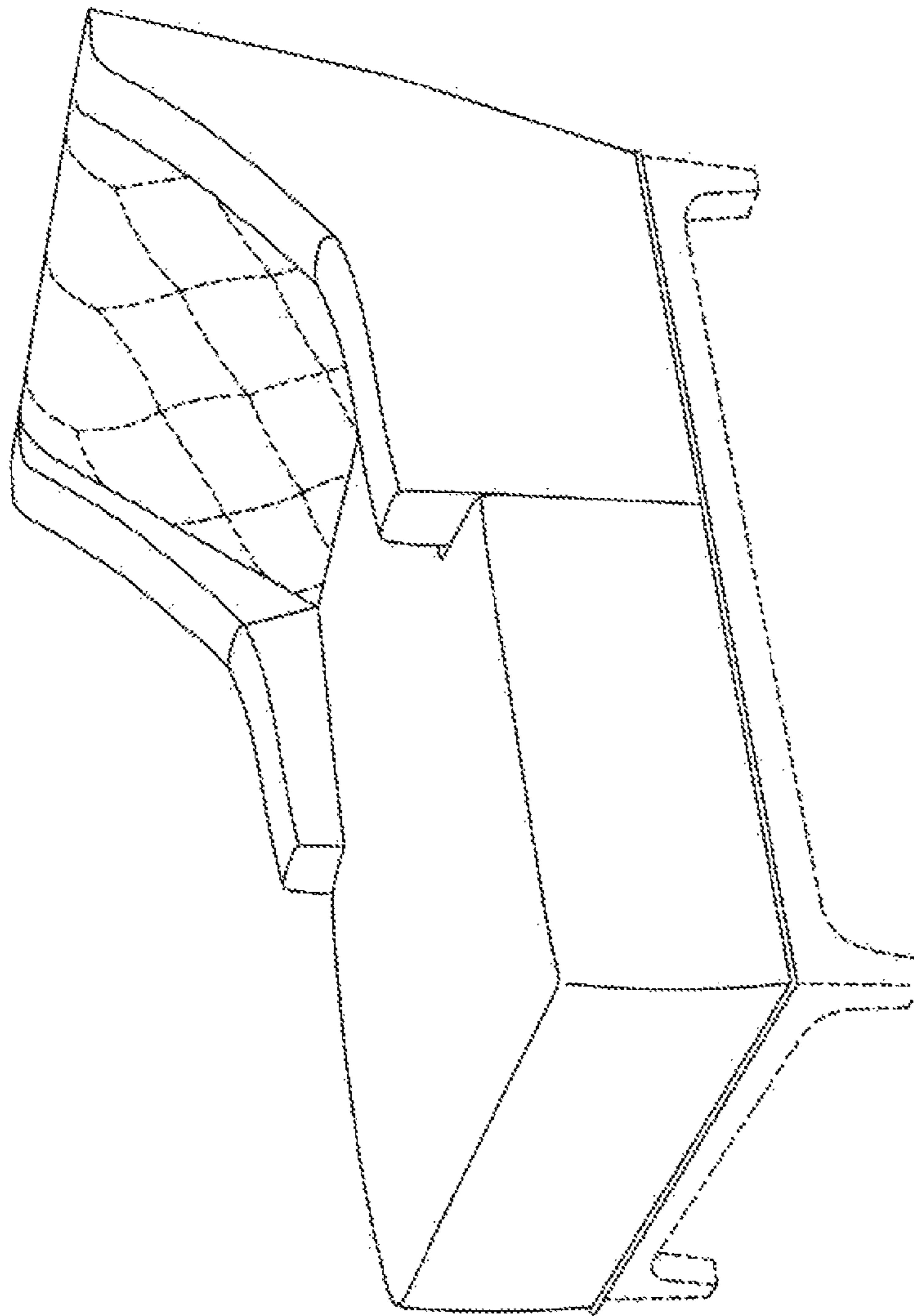


FIG. 9

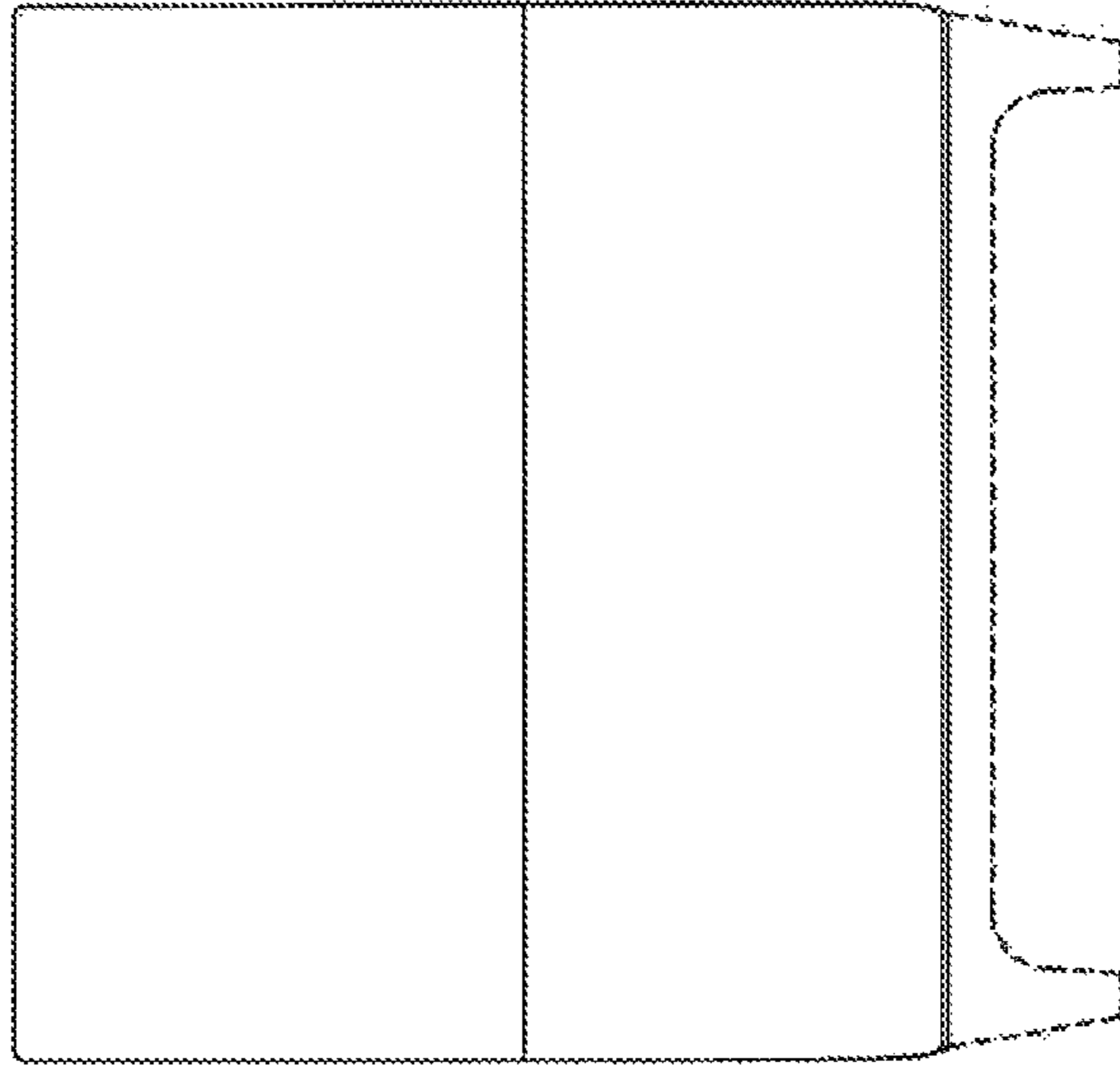


FIG. 11

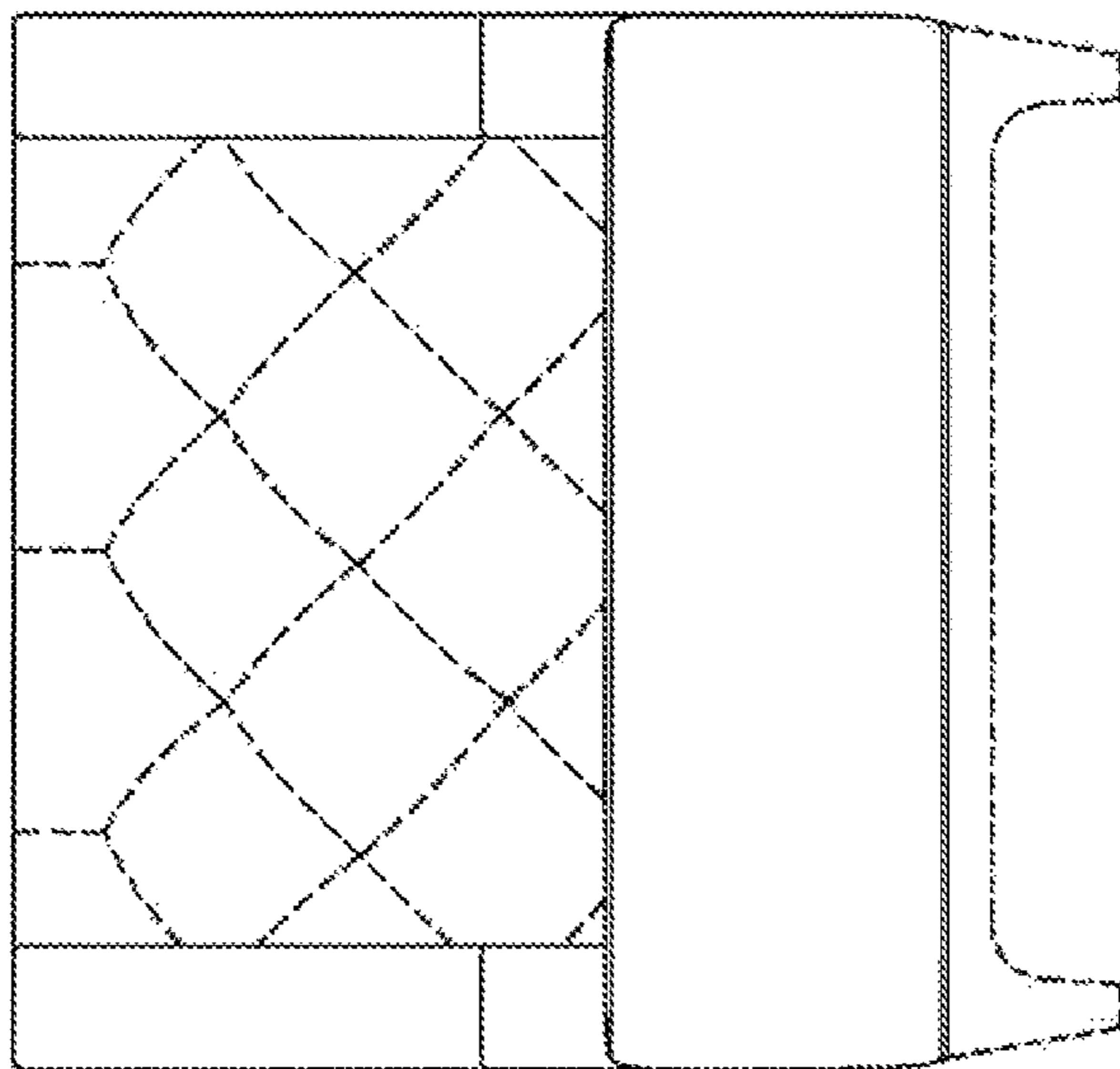


FIG. 10

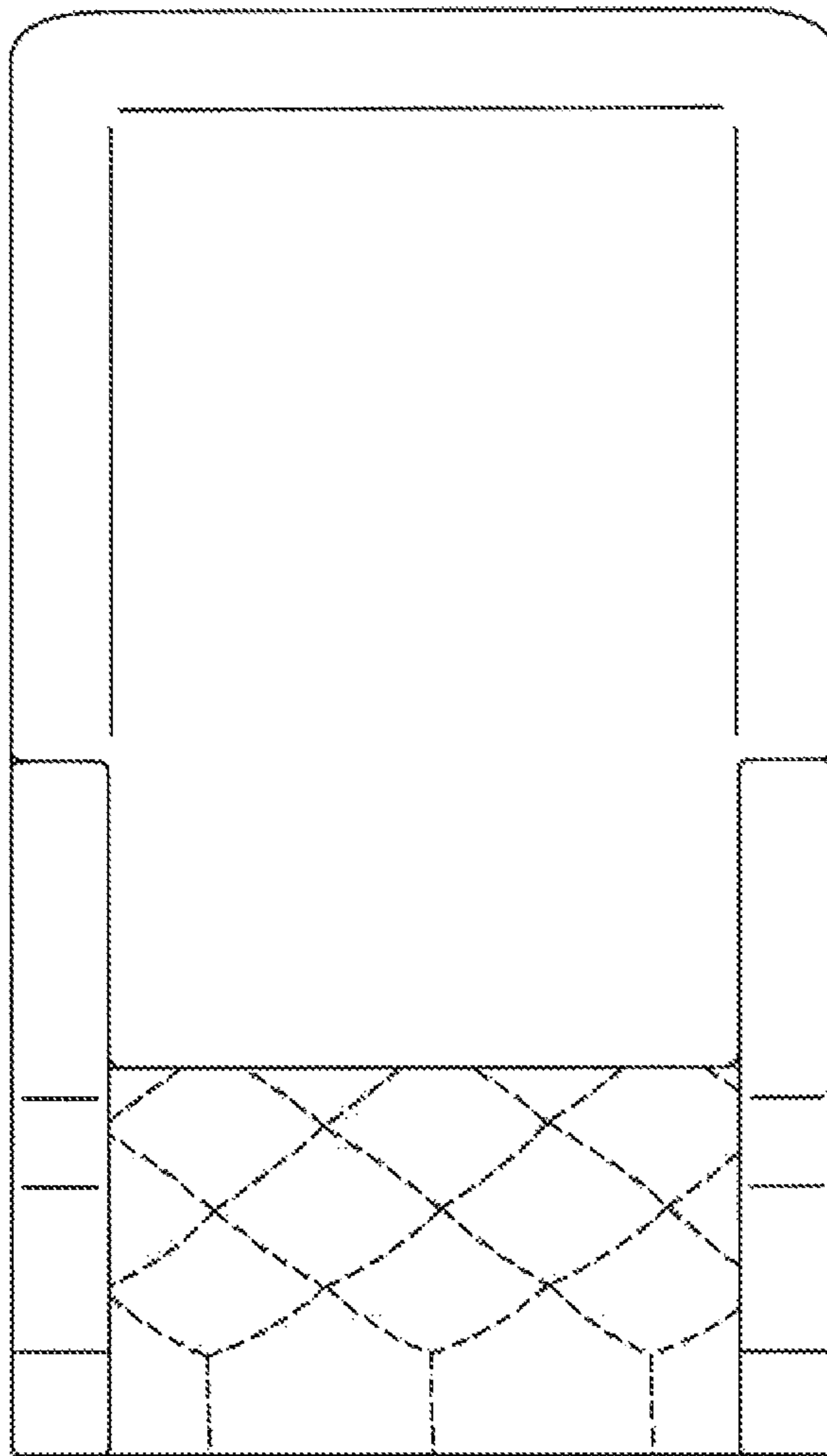


FIG. 12

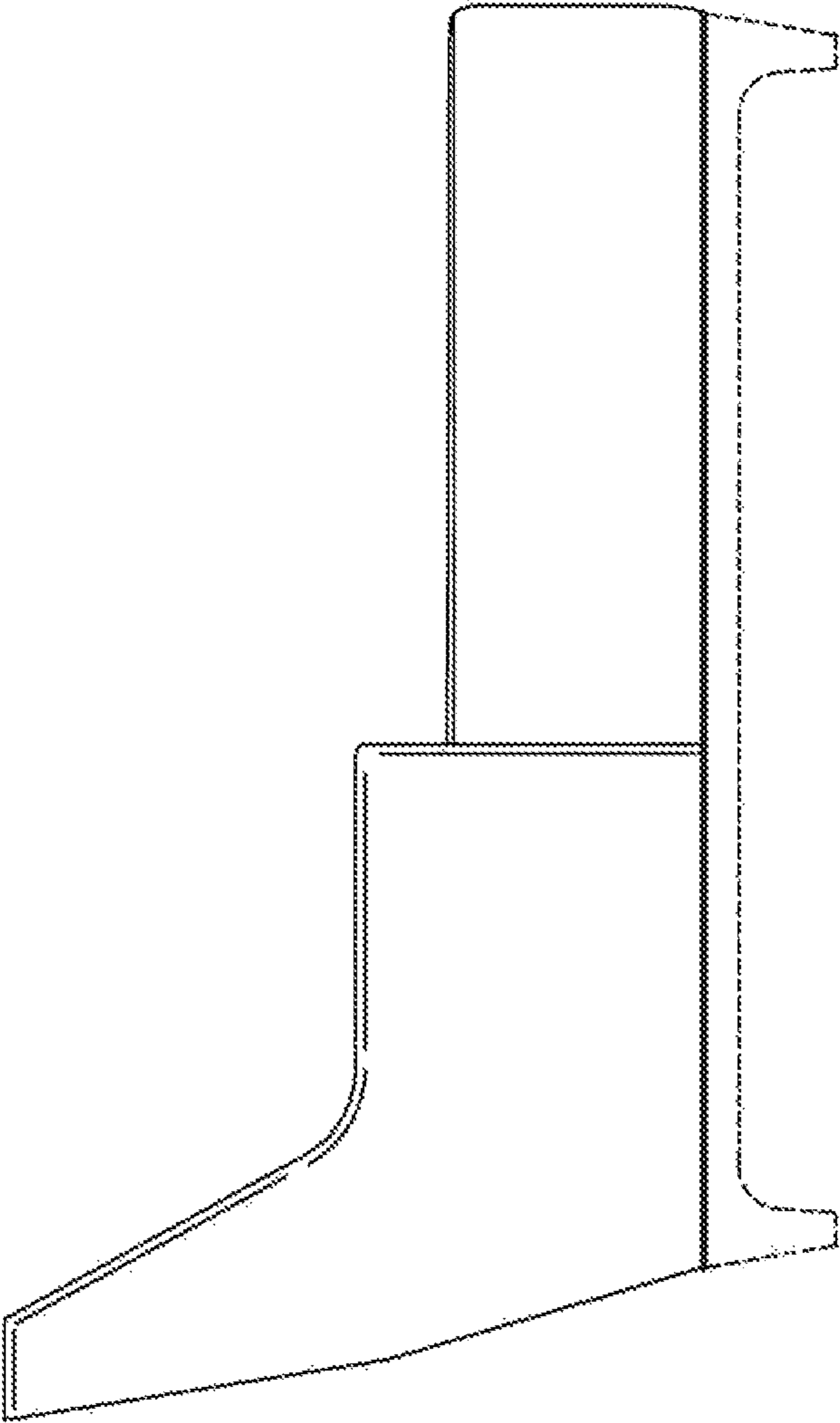


FIG. 13

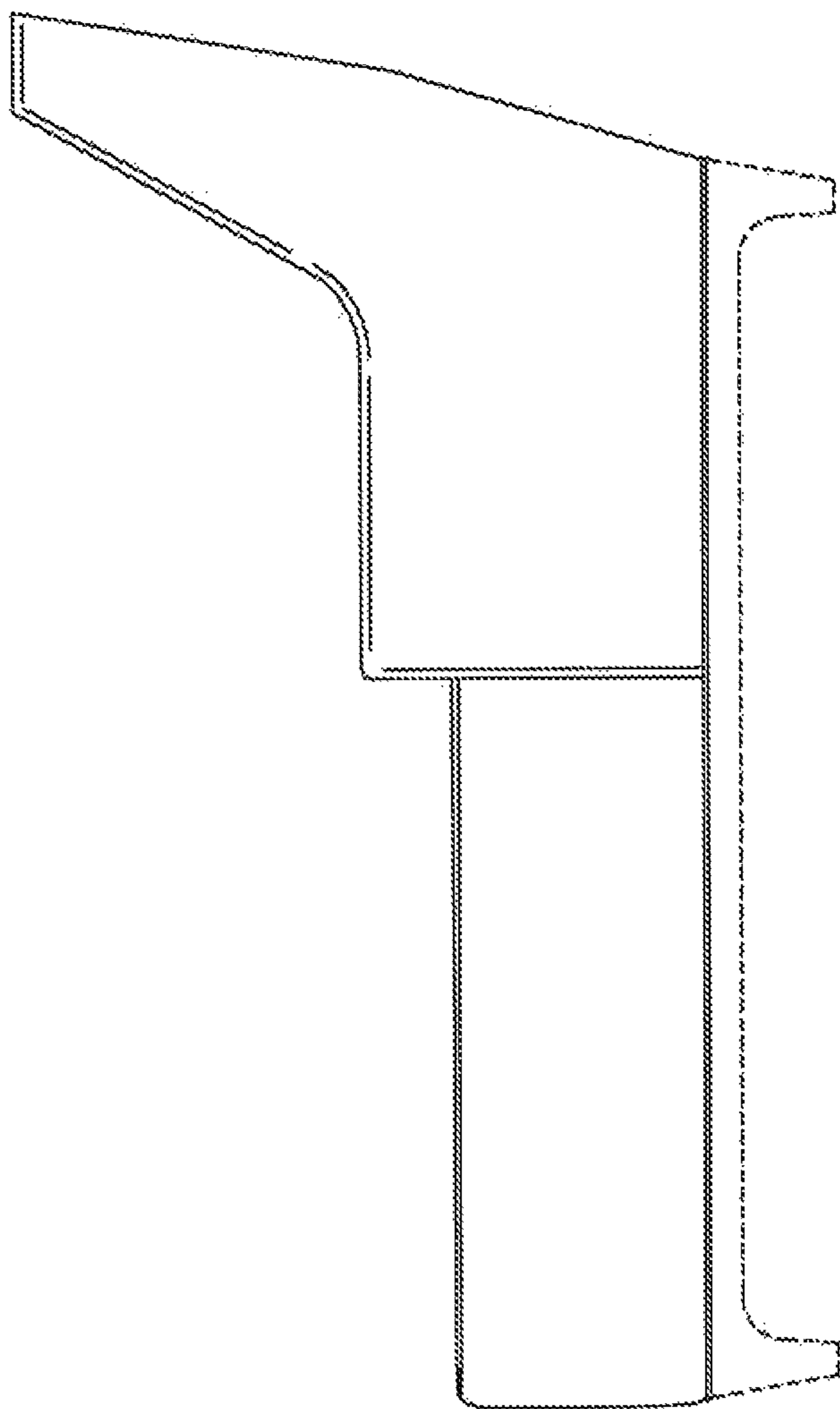


FIG. 14