



US00D690118S

(12) **United States Design Patent**
Grandin et al.

(10) **Patent No.:** **US D690,118 S**

(45) **Date of Patent:** **** Sep. 24, 2013**

(54) **DIVIDER**

(75) Inventors: **Jay Grandin**, North Vancouver (CA);
Hyun Yoo, Grand Rapids, MI (US);
Mauricio Escobar, New York, NY (US);
James Ludwig, East Grand Rapids, MI
(US); **Bruce Smith**, Grand Rapids, MI
(US); **Brett Kincaid**, Lowell, MI (US)

(73) Assignee: **Steelcase Inc.**, Grand Rapids, MI (US)

(**) Term: **14 Years**

(21) Appl. No.: **29/414,876**

(22) Filed: **Mar. 5, 2012**

Related U.S. Application Data

(62) Division of application No. 29/362,601, filed on May 27, 2010, now Pat. No. Des. 661,112.

(51) **LOC (9) Cl.** **06-06**

(52) **U.S. Cl.**
USPC **D6/332**

(58) **Field of Classification Search**
USPC D6/381, 332; 312/257.1, 101; 52/238.1,
52/239; 135/902

See application file for complete search history.

(56) **References Cited**

U.S. PATENT DOCUMENTS

2,078,975 A 5/1937 Roberts
3,456,980 A 7/1969 Vandergrift
3,596,297 A 8/1971 James

(Continued)

FOREIGN PATENT DOCUMENTS

EP 1498053 A1 1/2005
WO 9114386 A1 10/1991

OTHER PUBLICATIONS

Public showing, NEOCON® World Trade Fair 2008, Jun. 4, 2008, Chicago, IL.

Primary Examiner — Doris Clark

(74) *Attorney, Agent, or Firm* — Price Heneveld LLP

(57) **CLAIM**

We claim the ornamental design of a divider, as shown.

DESCRIPTION

FIG. 1 is a perspective view of a first embodiment of the divider;

FIG. 2 is a front elevational view of the first embodiment of the divider;

FIG. 3 is an elevational view of a side of the first embodiment of the divider, the opposite side being a mirror image thereof; FIG. 4 is rear elevational view of the first embodiment of the divider;

FIG. 5 is a top plan view of the first embodiment of the divider;

FIG. 6 is a bottom plan view of the first embodiment of the divider;

FIG. 7 is a perspective view of a second embodiment of the divider;

FIG. 8 is a front elevational view of the second embodiment of the divider;

FIG. 9 is an elevational view of a side of the second embodiment of the divider, the opposite side being a mirror image thereof;

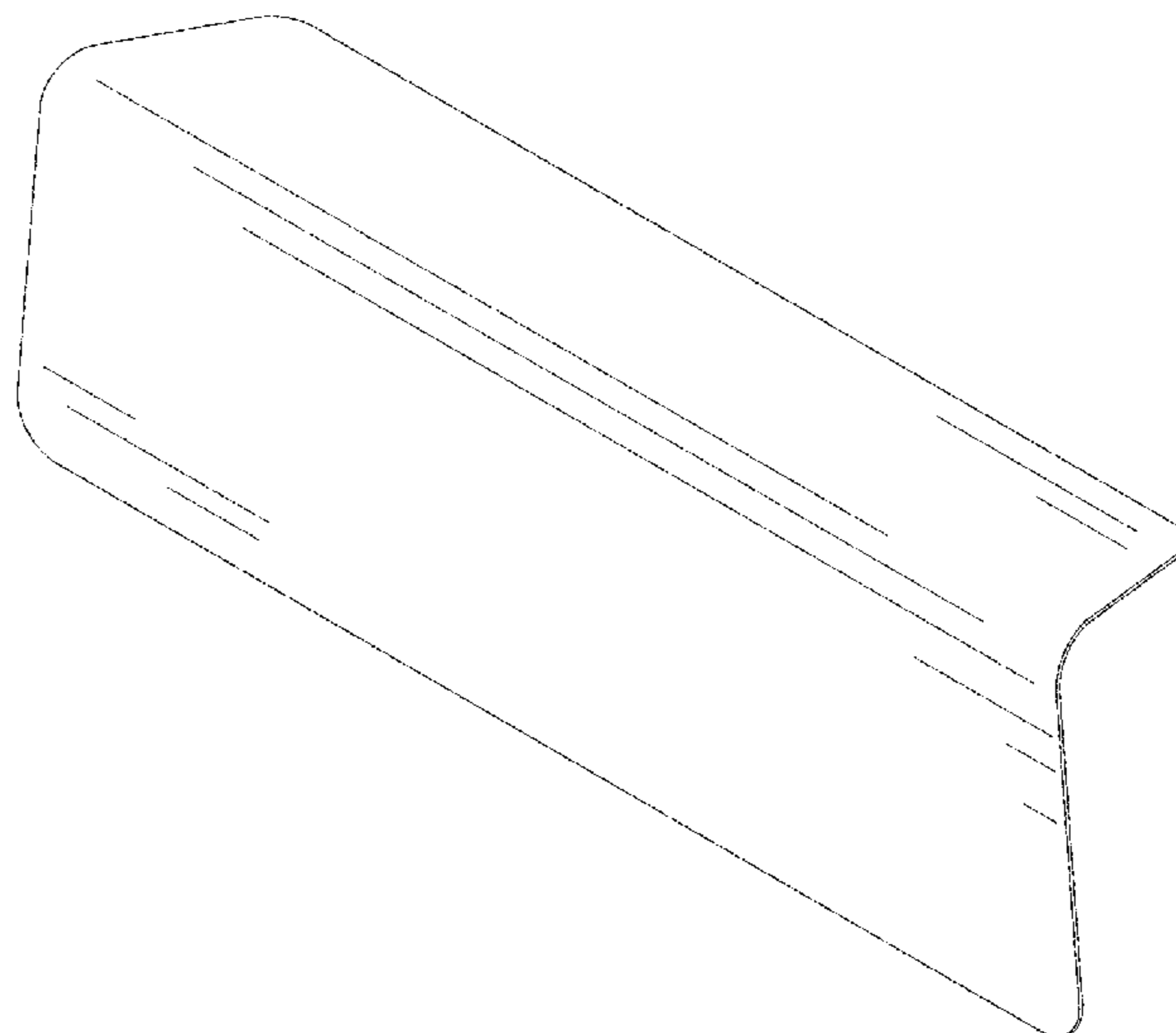
FIG. 10 is rear elevational view of the second embodiment of the divider;

FIG. 11 is a top plan view of the second embodiment of the divider; and,

FIG. 12 is a bottom plan view of the second embodiment of the divider.

The phantom lines in the figures are shown for illustrative purposes only and form no part of the invention as claimed.

1 Claim, 4 Drawing Sheets



(56)

References Cited

U.S. PATENT DOCUMENTS

3,619,006 A 11/1971 Barecki
 3,745,305 A 7/1973 Reed et al.
 3,858,643 A 1/1975 Reed et al.
 D240,481 S 7/1976 Fister
 4,097,002 A 6/1978 Krueger
 4,183,488 A 1/1980 Shepard
 4,231,300 A 11/1980 Shepard
 4,284,095 A 8/1981 Norton
 D261,953 S 11/1981 Aronowitz et al.
 D261,954 S 11/1981 Aronowitz et al.
 D261,955 S 11/1981 Aronowitz et al.
 D262,163 S 12/1981 Aronowitz et al.
 D262,164 S 12/1981 Aronowitz et al.
 D264,027 S 4/1982 Aronowitz et al.
 4,408,742 A 10/1983 Korb
 4,986,330 A * 1/1991 McGonagle 160/135
 5,154,473 A 10/1992 Joranco
 D335,035 S 4/1993 Floyd
 D338,349 S 8/1993 Warnock
 D360,311 S 7/1995 Stamberg et al.
 5,441,067 A 8/1995 James et al.
 D367,566 S 3/1996 Walters, III et al.
 D369,680 S * 5/1996 Spielvogel D6/332
 D374,512 S 10/1996 Kiley et al.
 5,848,772 A 12/1998 Fitzgerald
 5,971,171 A 10/1999 Thorp et al.
 6,067,762 A * 5/2000 Greer et al. 52/220.7

6,244,286 B1 6/2001 Russo
 D460,630 S * 7/2002 Ritch et al. D6/332
 6,447,067 B1 9/2002 Williams et al.
 D472,726 S 4/2003 Calfa
 6,845,780 B2 1/2005 Bushirjian
 6,931,795 B1 8/2005 Baloga et al.
 7,032,523 B2 4/2006 Forslund, III et al.
 7,055,289 B2 6/2006 Guth
 D526,803 S 8/2006 Lee
 7,240,683 B2 7/2007 Zutich
 7,252,339 B2 8/2007 Owens
 D553,867 S 10/2007 Williams et al.
 D555,384 S 11/2007 Borgonovo
 D560,919 S 2/2008 Simons, Jr.
 7,347,404 B2 3/2008 Anzai
 D566,980 S 4/2008 Mourgue
 D567,526 S 4/2008 Williams et al.
 7,374,238 B2 5/2008 Lingwall
 D575,962 S 9/2008 Senko et al.
 D575,963 S 9/2008 Gomez
 7,431,389 B2 10/2008 Reeb et al.
 D609,034 S 2/2010 Lissoni
 2002/0166934 A1 11/2002 Marsh
 2003/0150180 A1 * 8/2003 Briskman 52/239
 2004/0250480 A1 12/2004 Matthai
 2006/0054207 A1 3/2006 Wootliff
 2008/0067304 A1 3/2008 Barnes
 2009/0007947 A1 1/2009 Spangenberg

* cited by examiner

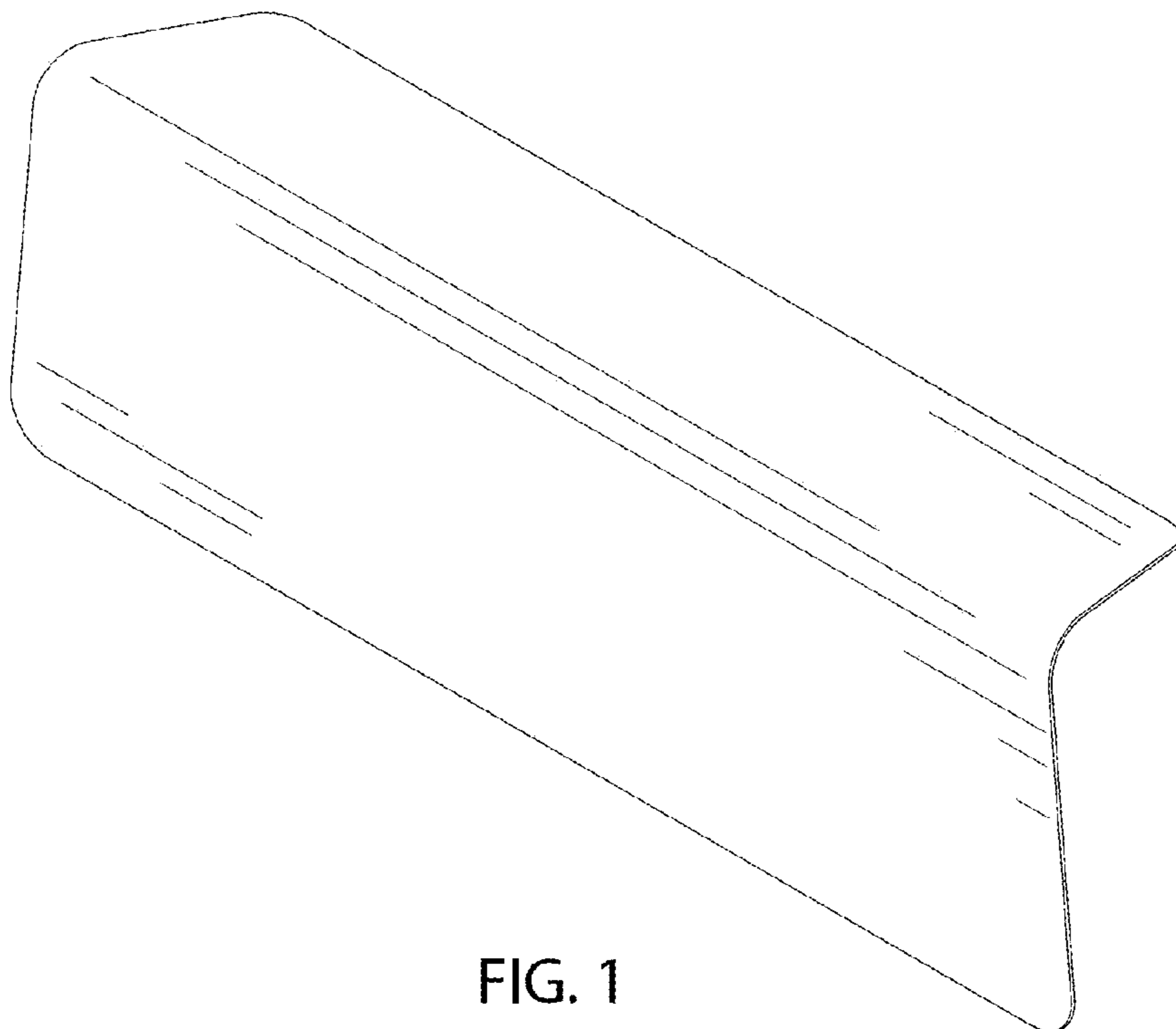
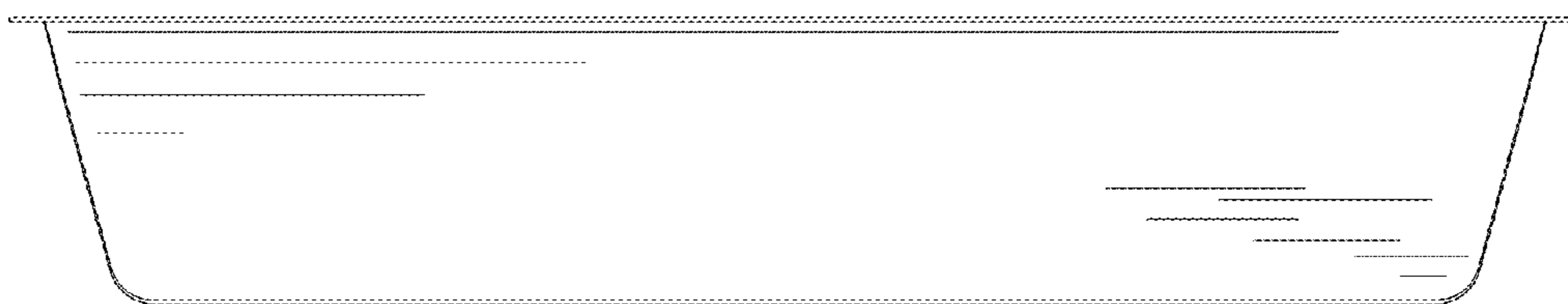
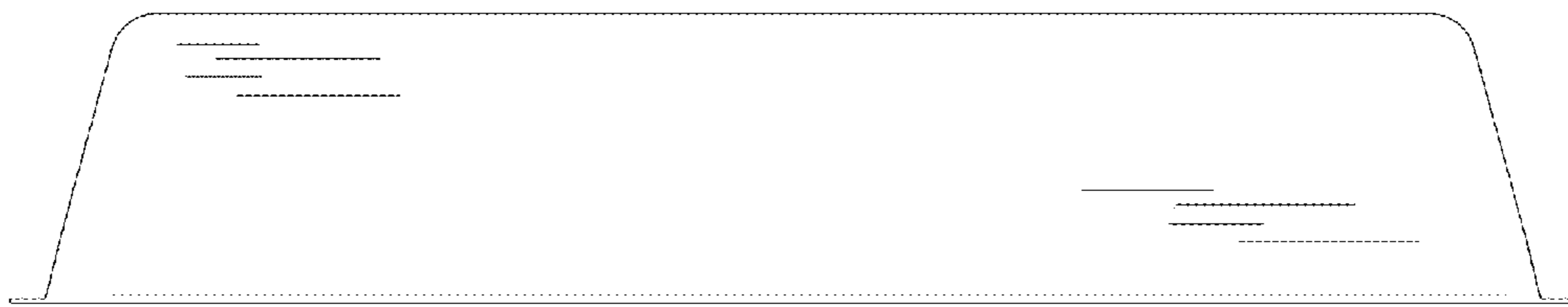
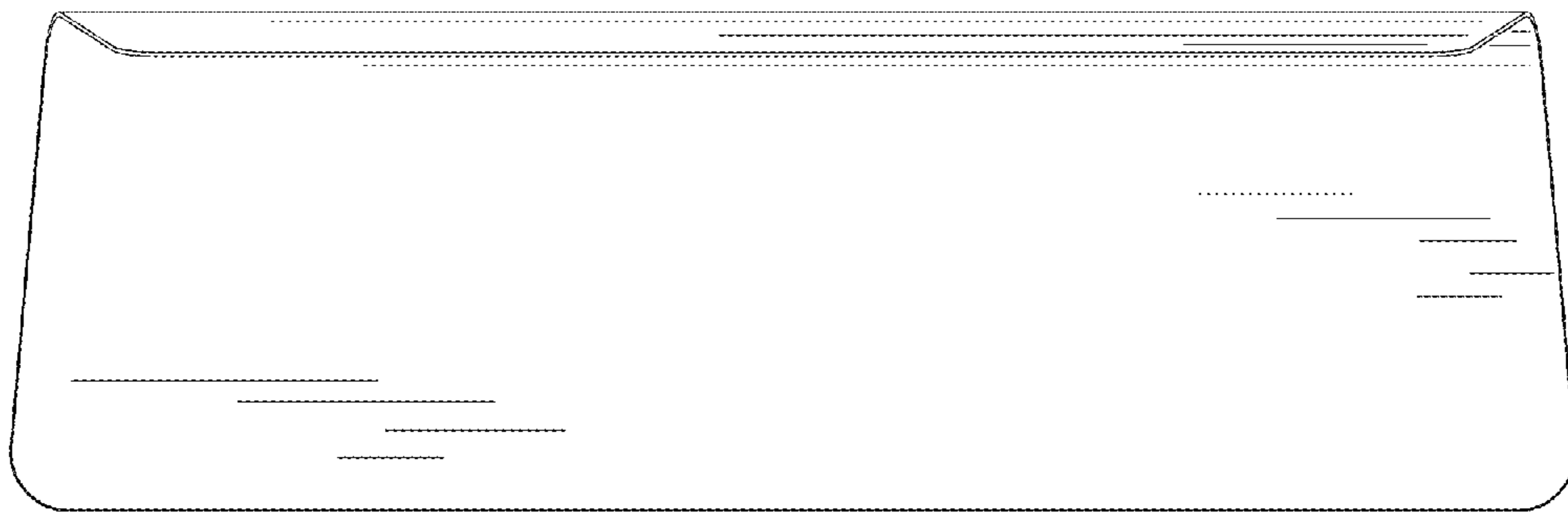
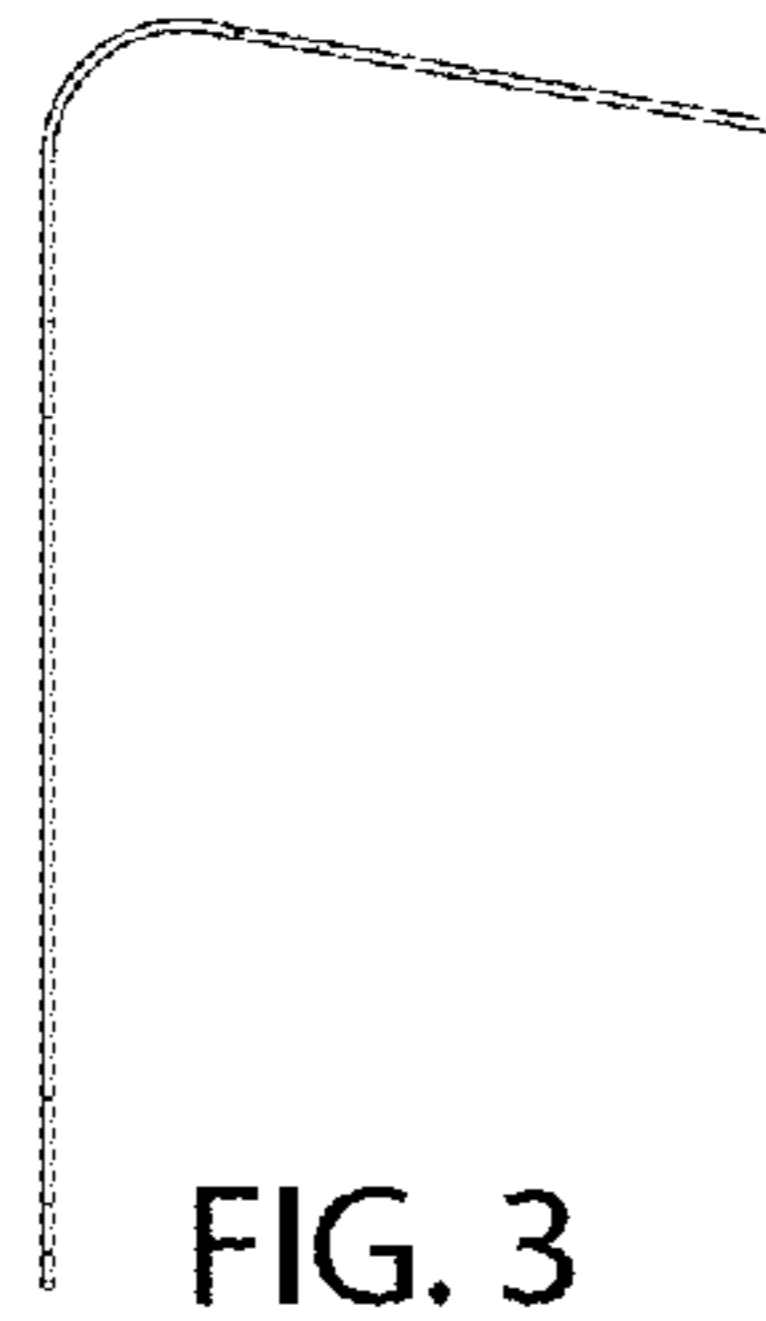


FIG. 1



FIG. 2



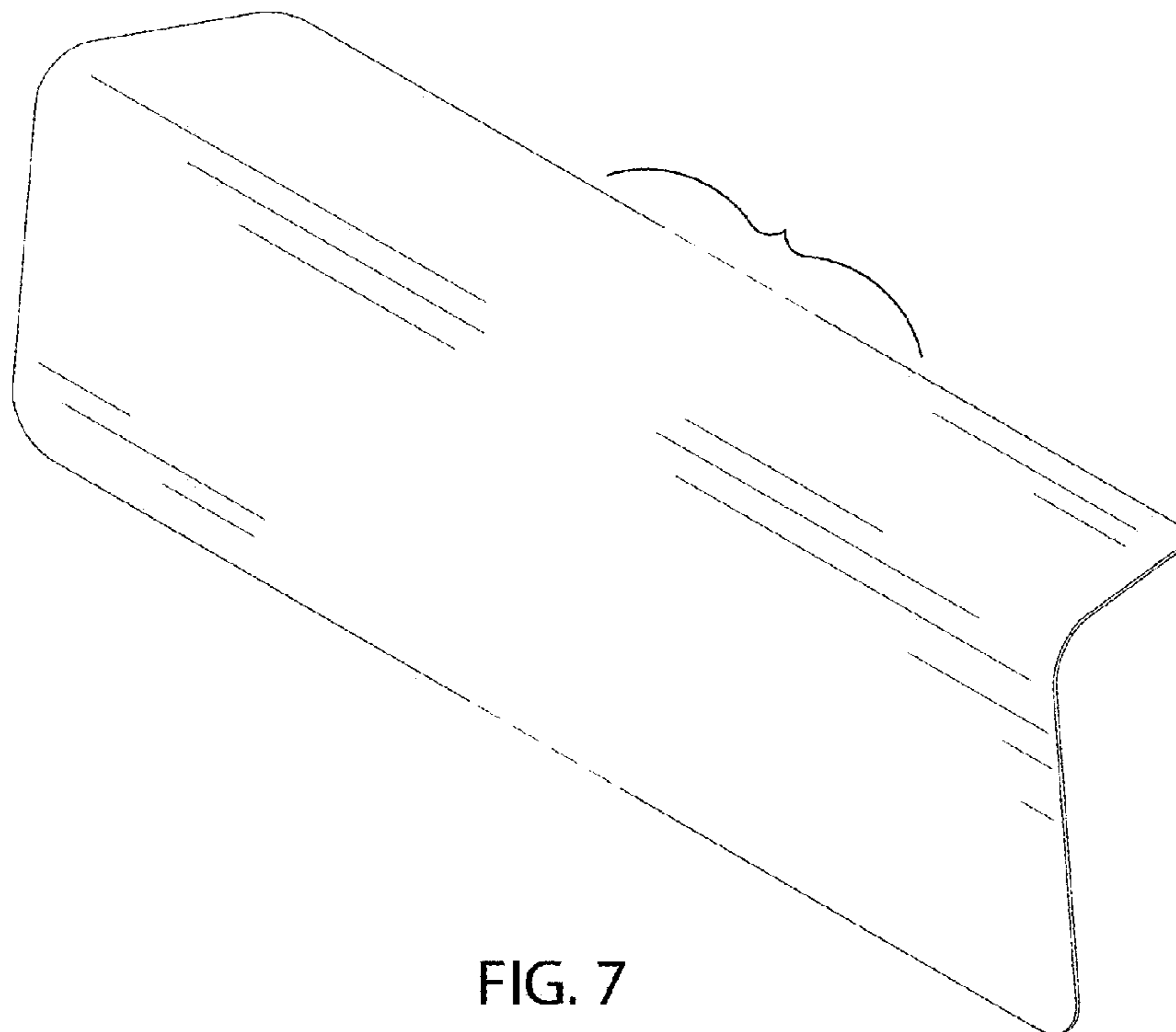


FIG. 7

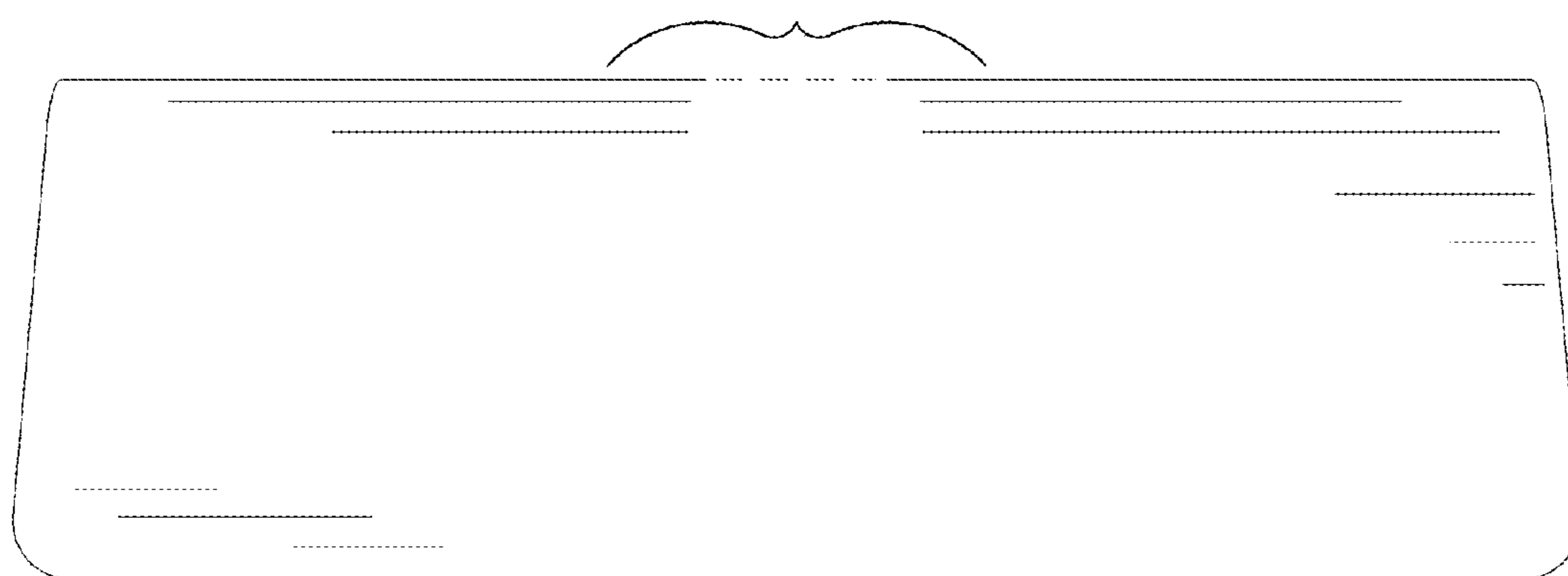


FIG. 8

