



US00D690115S

(12) **United States Design Patent**
Zemel et al.

(10) **Patent No.:** **US D690,115 S**

(45) **Date of Patent:** **** Sep. 24, 2013**

(54) **GRILL BRUSH**

(71) Applicant: **Mr. Bar-B-Q-, Inc.**, Old Bethpage, NY (US)

(72) Inventors: **Marc Zemel**, Old Bethpage, NY (US);
Adam Schillen, Dix Hills, NY (US)

(73) Assignee: **Ferrellgas Real Estate, Inc.**, Liberty, MT (US)

(**) Term: **14 Years**

(21) Appl. No.: **29/447,846**

(22) Filed: **Mar. 7, 2013**

(51) **LOC (9) Cl.** **04-01**

(52) **U.S. Cl.**
USPC **D4/129; D4/138**

(58) **Field of Classification Search**
USPC D4/129, 130, 138, 199; D32/35,
D32/40, 52;
15/143.1, 145, 159.1, 160, 229.11–229.13,
15/235.4, 244.1; D8/45, 90, 94; 16/422,
16/444; 451/523, 524, 554, 557
See application file for complete search history.

(56) **References Cited**

U.S. PATENT DOCUMENTS

2,891,360	A *	6/1959	Duffie	451/359
D223,314	S *	4/1972	Goldfeder	D3/200
D236,071	S *	7/1975	Zemke	D32/52
D360,763	S *	8/1995	Camp et al.	D4/138
D437,691	S *	2/2001	Weiss	D4/129
D544,213	S *	6/2007	Dow et al.	D4/119
D590,600	S *	4/2009	Dow et al.	D4/119

FOREIGN PATENT DOCUMENTS

KR 1999-0000753 S * 6/1999

OTHER PUBLICATIONS

America's Best Barbecue Grill Pro Abrasive Scrubbing Brush—Item # 71448, [online]. America's Best Barbecue, Inc., 2006 [retrieved on May 31, 2013] Retrieved using Internet Archive: <URL: http://web.archive.org/web/20060615000000*/http://www.americasbestbbq.com.*

* cited by examiner

Primary Examiner — Melanie H Tung

Assistant Examiner — Lavone D Tabor

(74) *Attorney, Agent, or Firm* — Carter, DeLuca, Farrell & Schmidt LLP

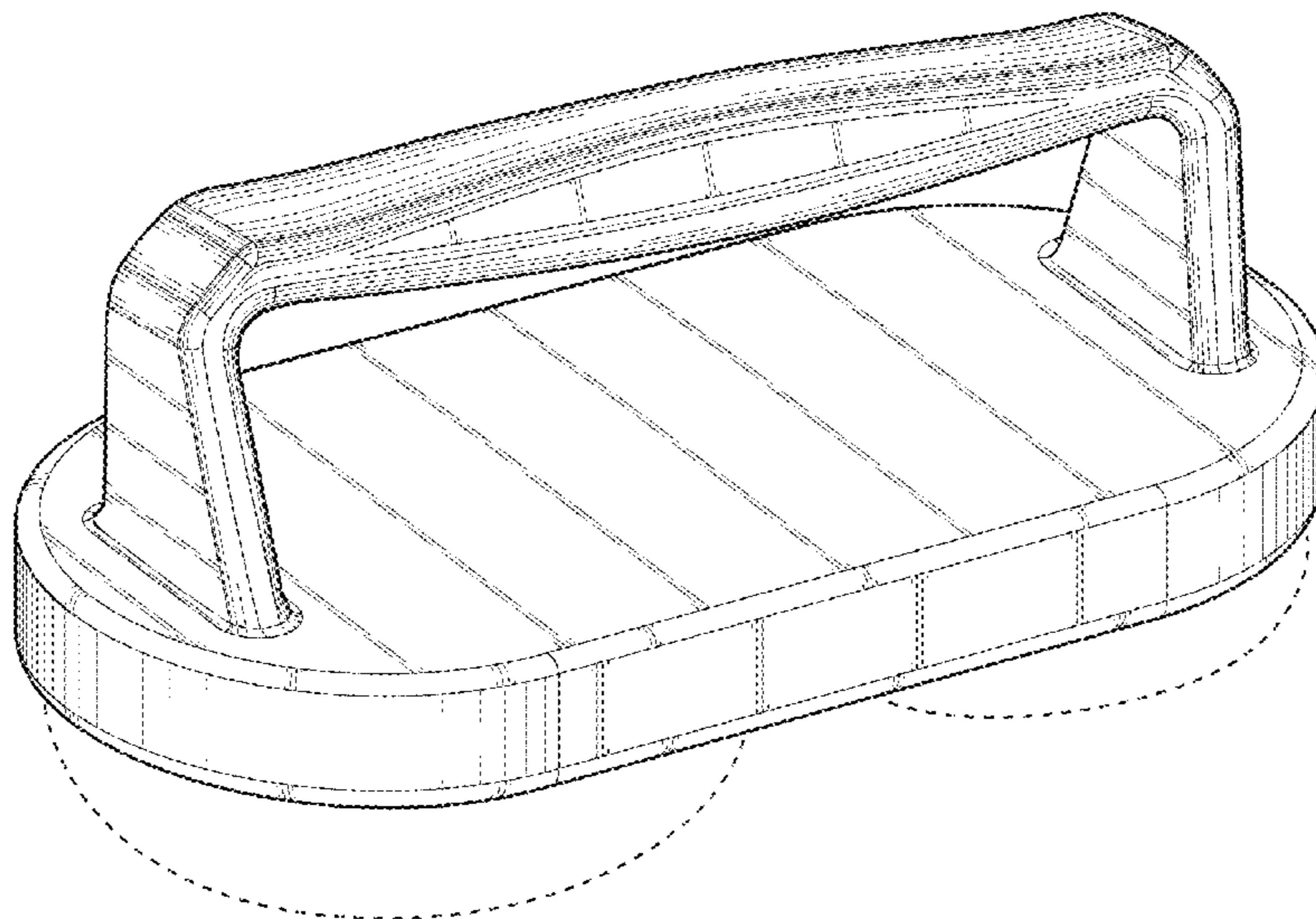
(57) **CLAIM**

The ornamental design for a grill brush, as shown and described.

DESCRIPTION

FIG. 1 is a perspective view of a grill brush in accordance with the present design;
FIG. 2 is a right side elevational view thereof, the left side elevational view being a mirror image thereof;
FIG. 3 is a front side elevational view thereof, the rear side elevational view being a mirror image thereof;
FIG. 4 is a top plan view thereof; and,
FIG. 5 is a bottom plan view thereof.
The broken lines shown in the drawings illustrate portions of the grill brush that form no part of the claimed design.

1 Claim, 5 Drawing Sheets



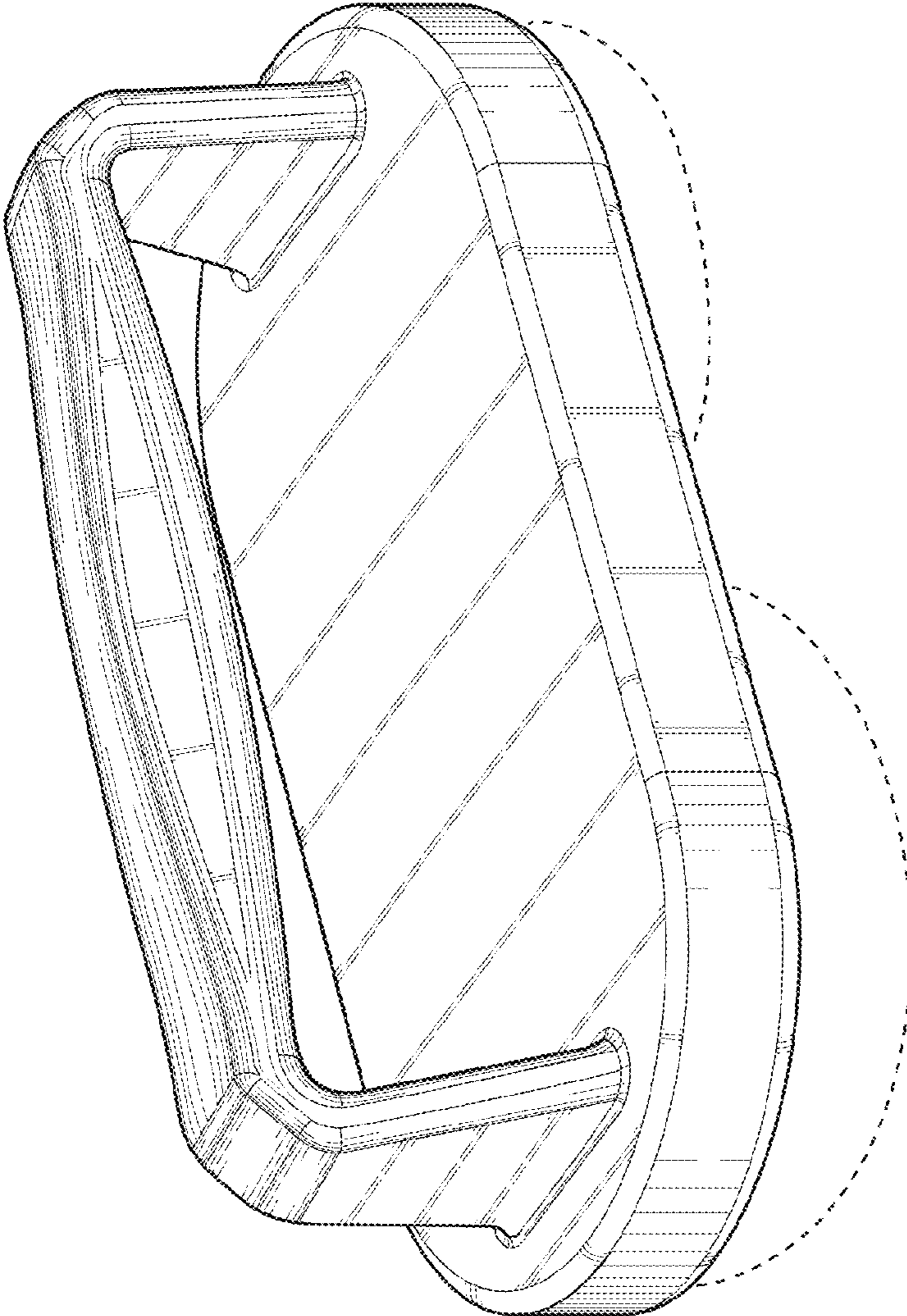


FIG. 1

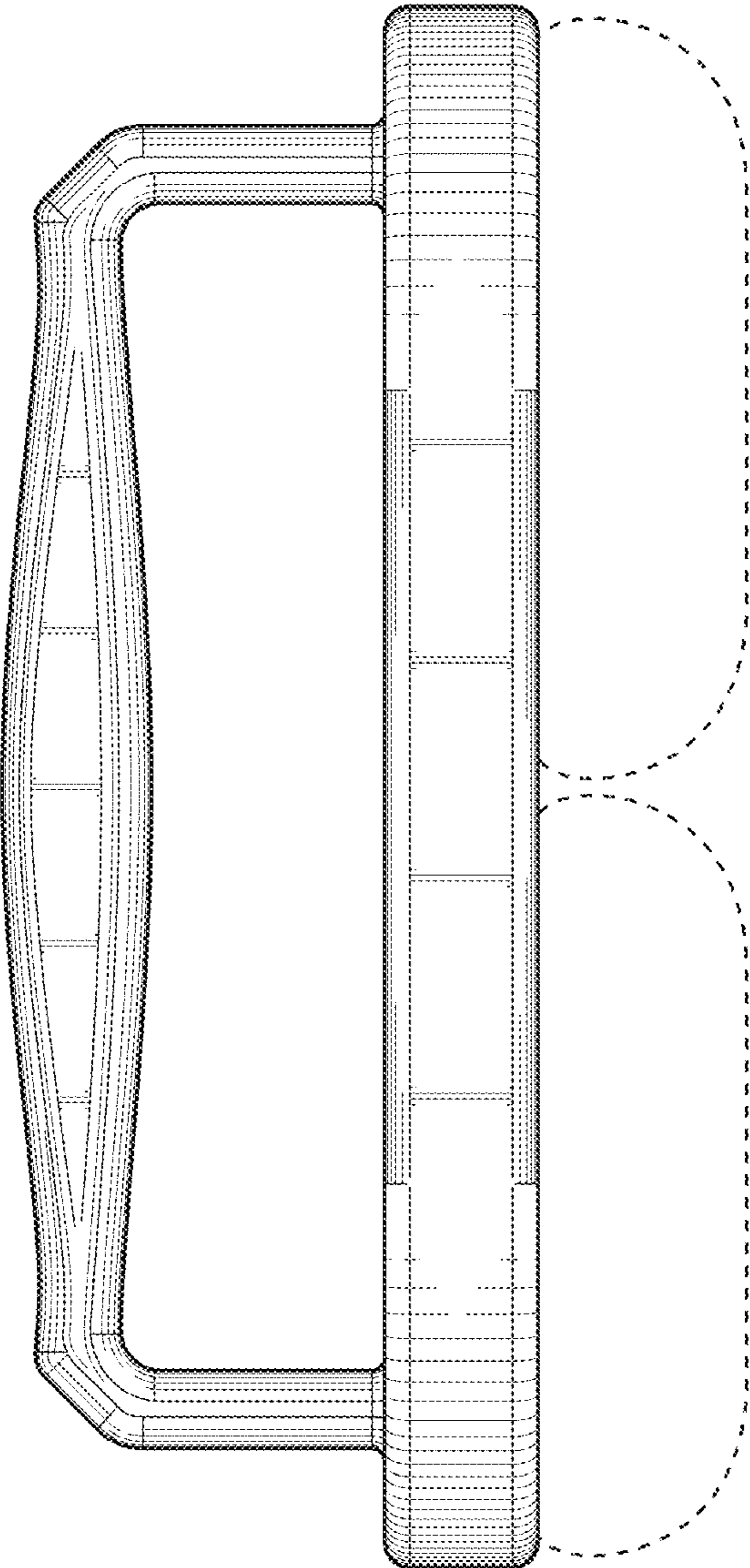


FIG. 2

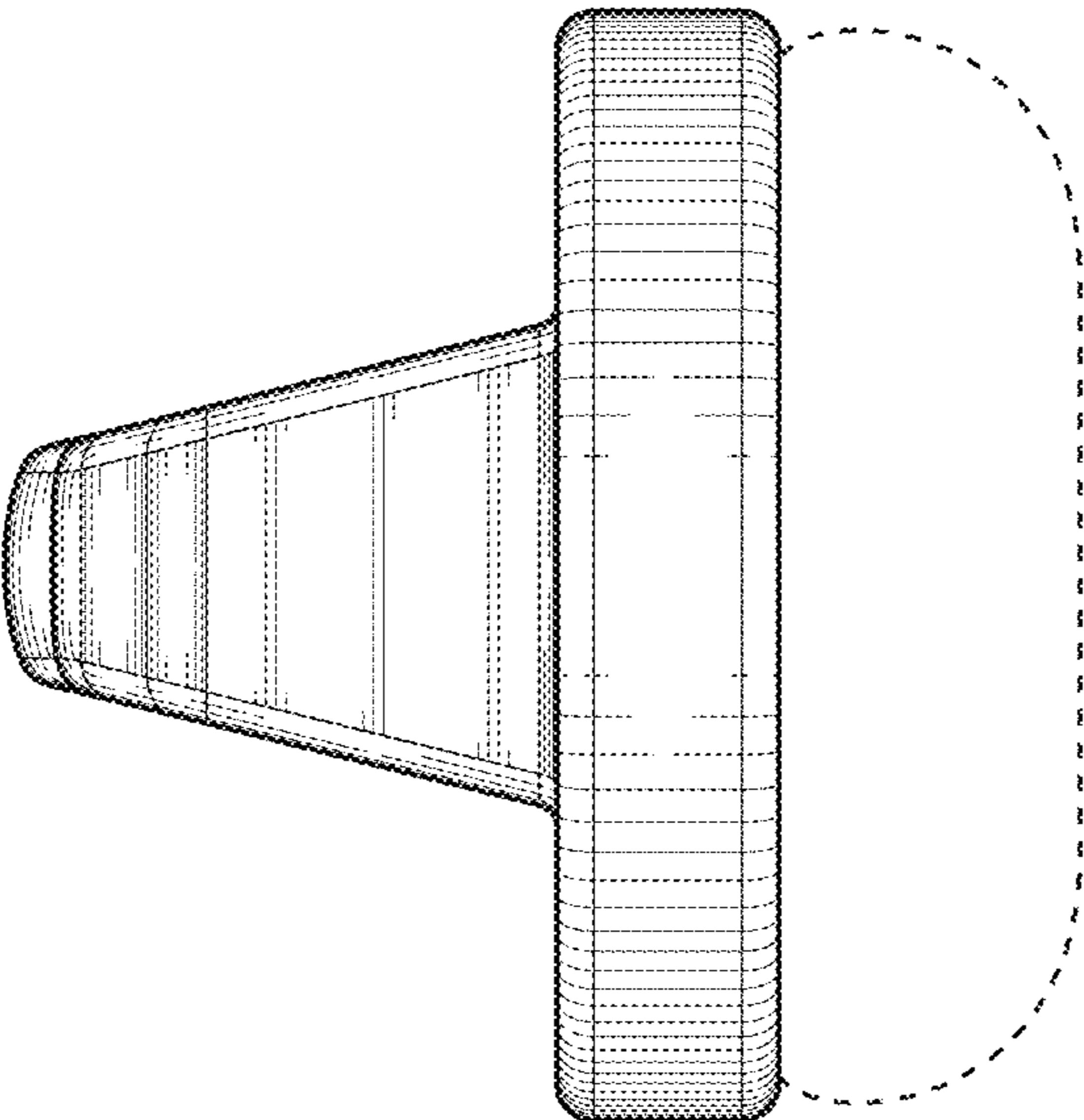


FIG. 3

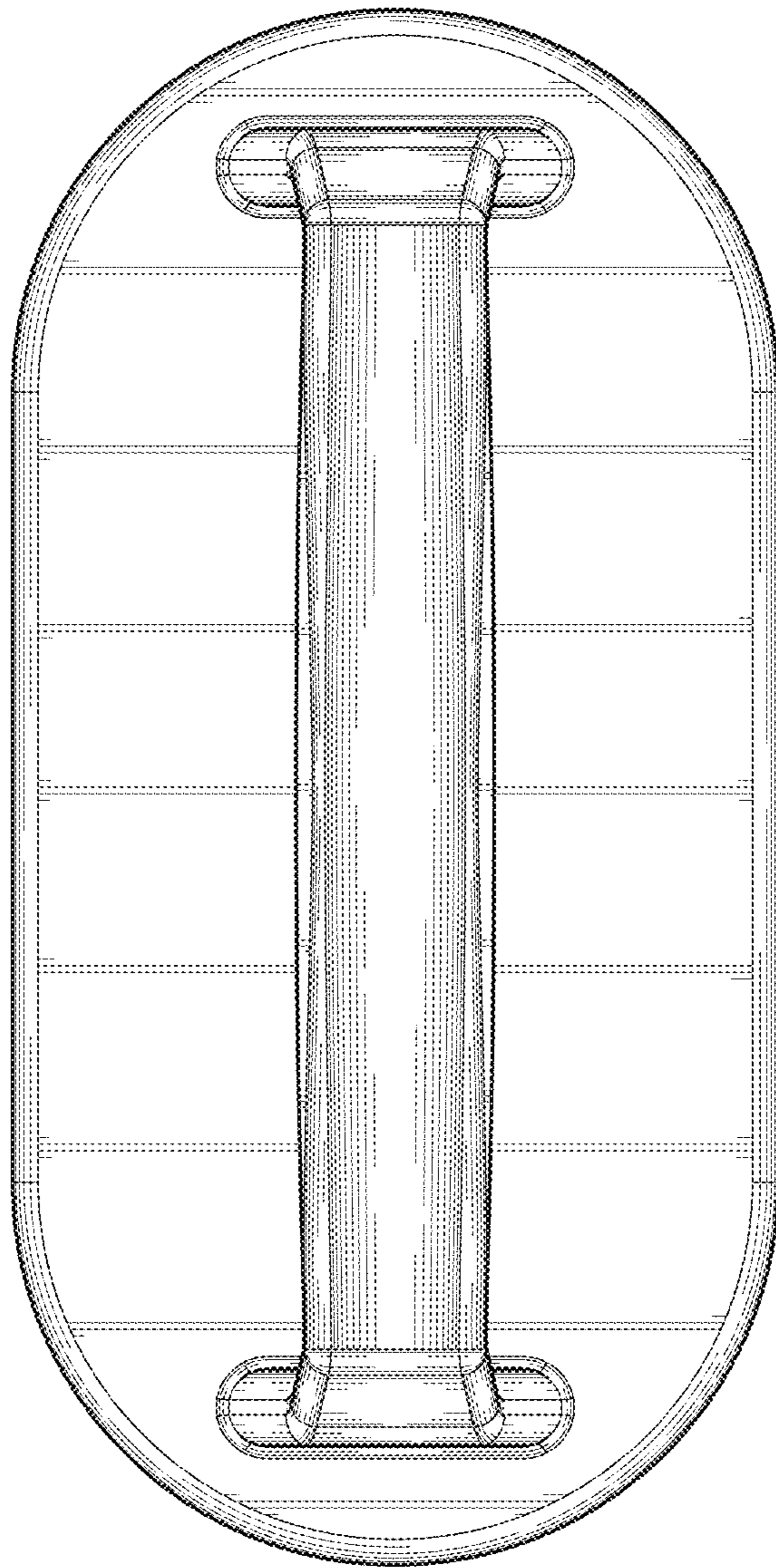


FIG. 4

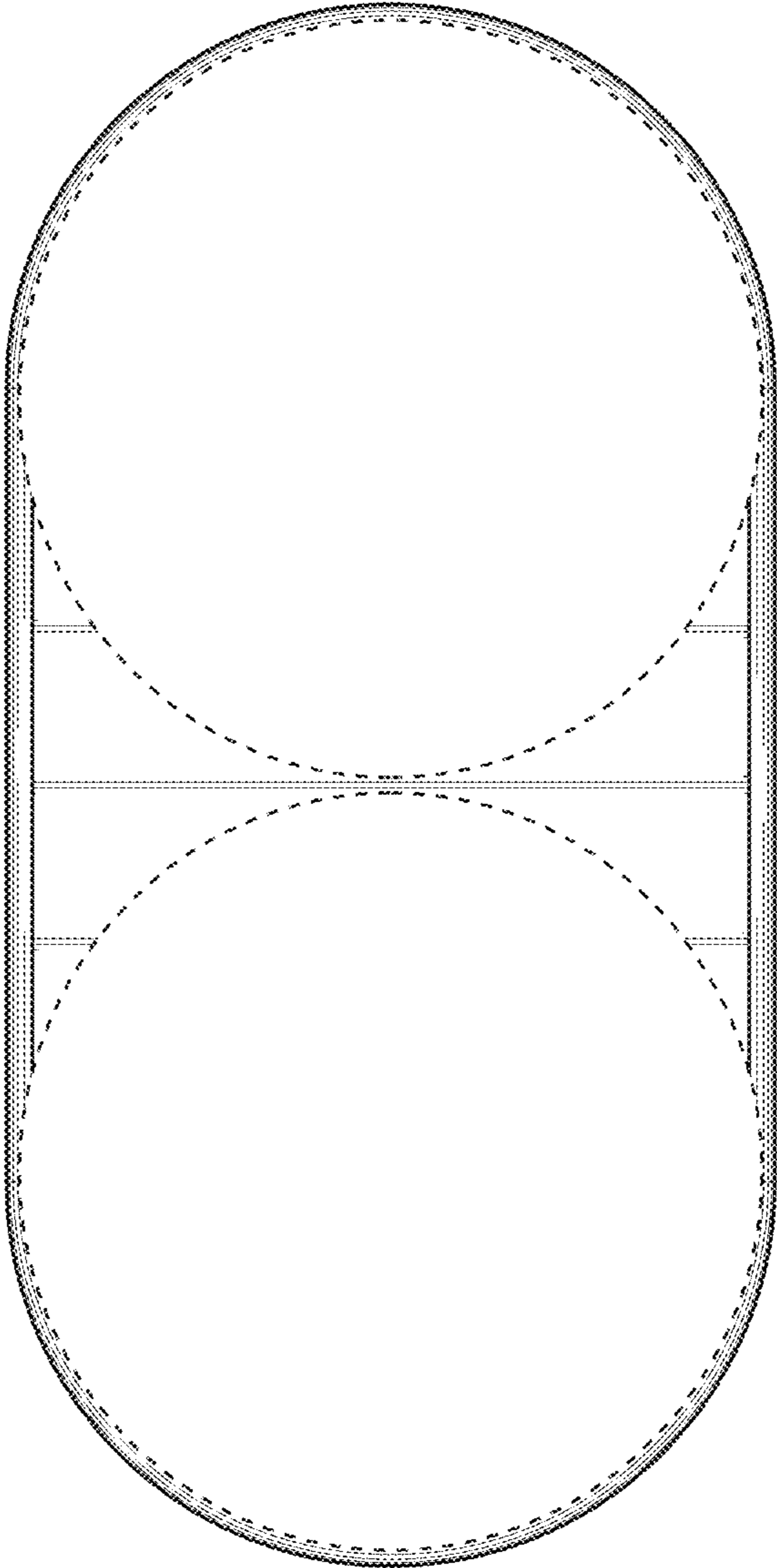


FIG. 5