



US00D690110S

(12) **United States Design Patent**  
**Degembe**

(10) **Patent No.:** **US D690,110 S**

(45) **Date of Patent:** **\*\* Sep. 24, 2013**

(54) **STRAP GUIDE FOR A GOLF BAG**

*Primary Examiner* — Holly Baynham

(75) **Inventor:** **Jean-Pierre Degembe**, Elmhurst, IL (US)

(74) *Attorney, Agent, or Firm* — Terence P. O'Brien

(73) **Assignee:** **Wilson Sporting Goods Co.**, Chicago, IL (US)

(57) **CLAIM**

I claim the ornamental design for a strap guide for a golf bag, as shown and described.

(\*\*) **Term:** **14 Years**

(21) **Appl. No.:** **29/430,699**

**DESCRIPTION**

(22) **Filed:** **Aug. 29, 2012**

(51) **LOC (9) Cl.** ..... **03-01**

(52) **U.S. Cl.**  
USPC ..... **D3/318**

(58) **Field of Classification Search**  
USPC ..... D3/318, 255; 24/16 PB, 198  
See application file for complete search history.

FIG. 1 is a front, first side perspective view of a strap guide for a golf bag;  
FIG. 2 is a front, second side perspective view of the strap guide of FIG. 1;  
FIG. 3 is a front view of the strap guide of FIG. 1;  
FIG. 4 is a back view of the strap guide of FIG. 1;  
FIG. 5 is a first side view of the strap guide of FIG. 1;  
FIG. 6 is a second side view, opposite the first side view, of the strap guide of FIG. 1;  
FIG. 7 is a third side view of the strap guide of FIG. 1; and,  
FIG. 8 is a fourth side view, opposite the third side view, of the strap guide of FIG. 1.

The ornamental design that is claimed is shown in solid lines in the drawings. The broken (dashed) lines shown in FIGS. 1 through 8 are included for the purpose of illustrating environmental elements only and form no part of the claimed design.

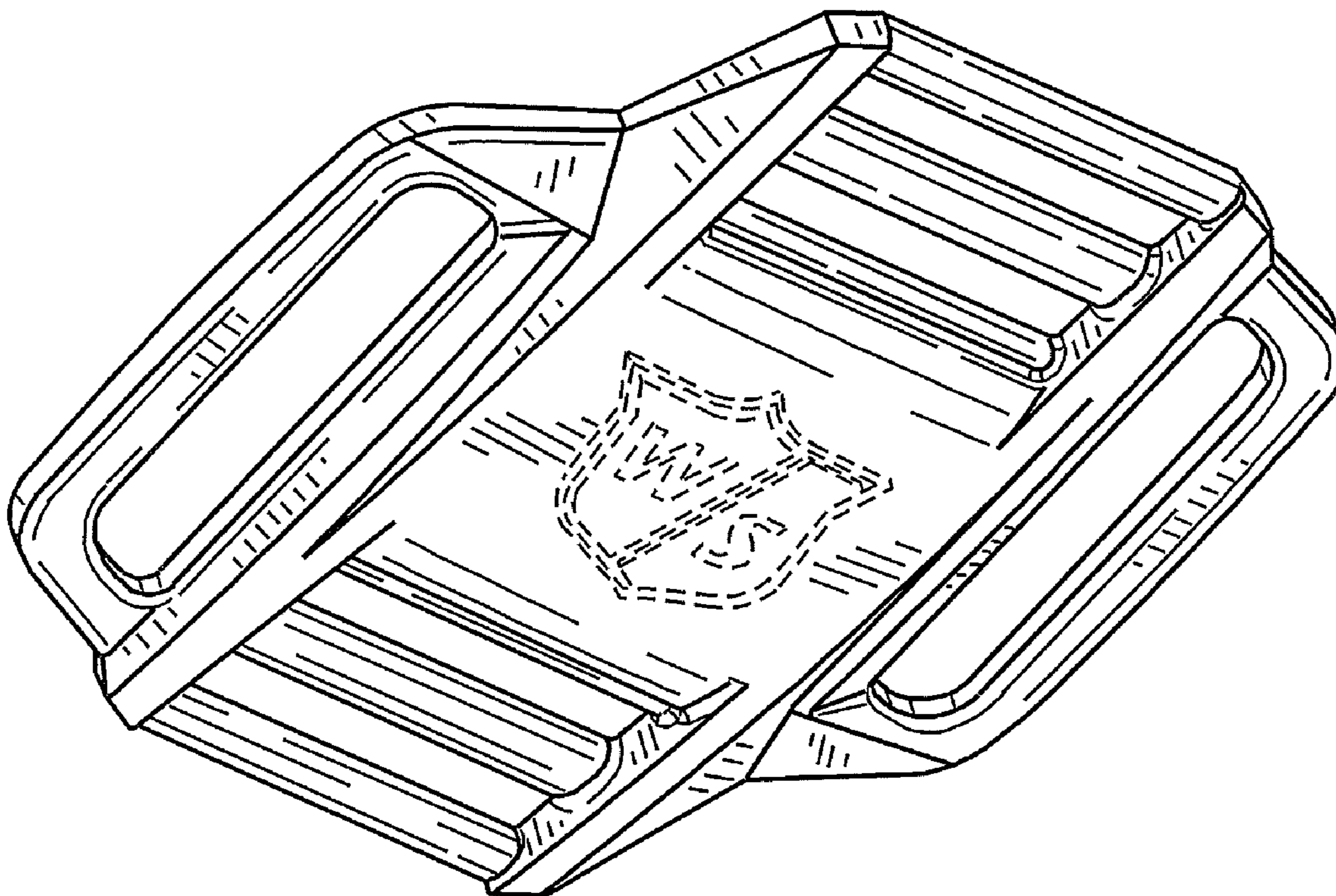
(56) **References Cited**

U.S. PATENT DOCUMENTS

2,713,708	A *	7/1955	Auderson	.....	24/198
3,636,597	A *	1/1972	Barnickel	.....	24/198
3,869,763	A *	3/1975	Senk et al.	.....	24/198
4,457,051	A *	7/1984	Bartolini	.....	24/198
4,520,533	A *	6/1985	Kasai	.....	24/198
6,449,811	B1 *	9/2002	Tokugawa	.....	24/198
6,694,530	B2 *	2/2004	Maloney	.....	2/421

\* cited by examiner

**1 Claim, 6 Drawing Sheets**



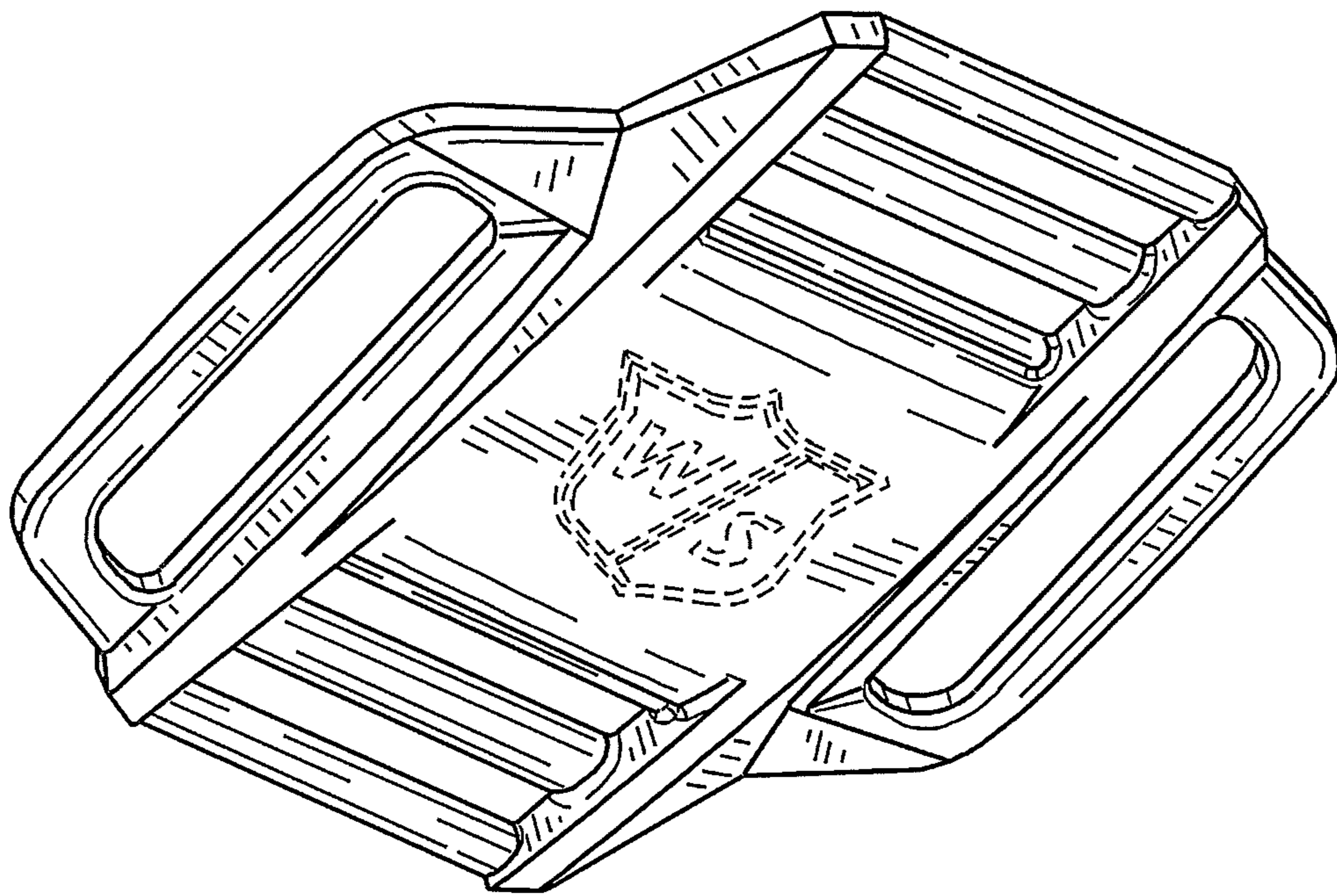


FIG. 1

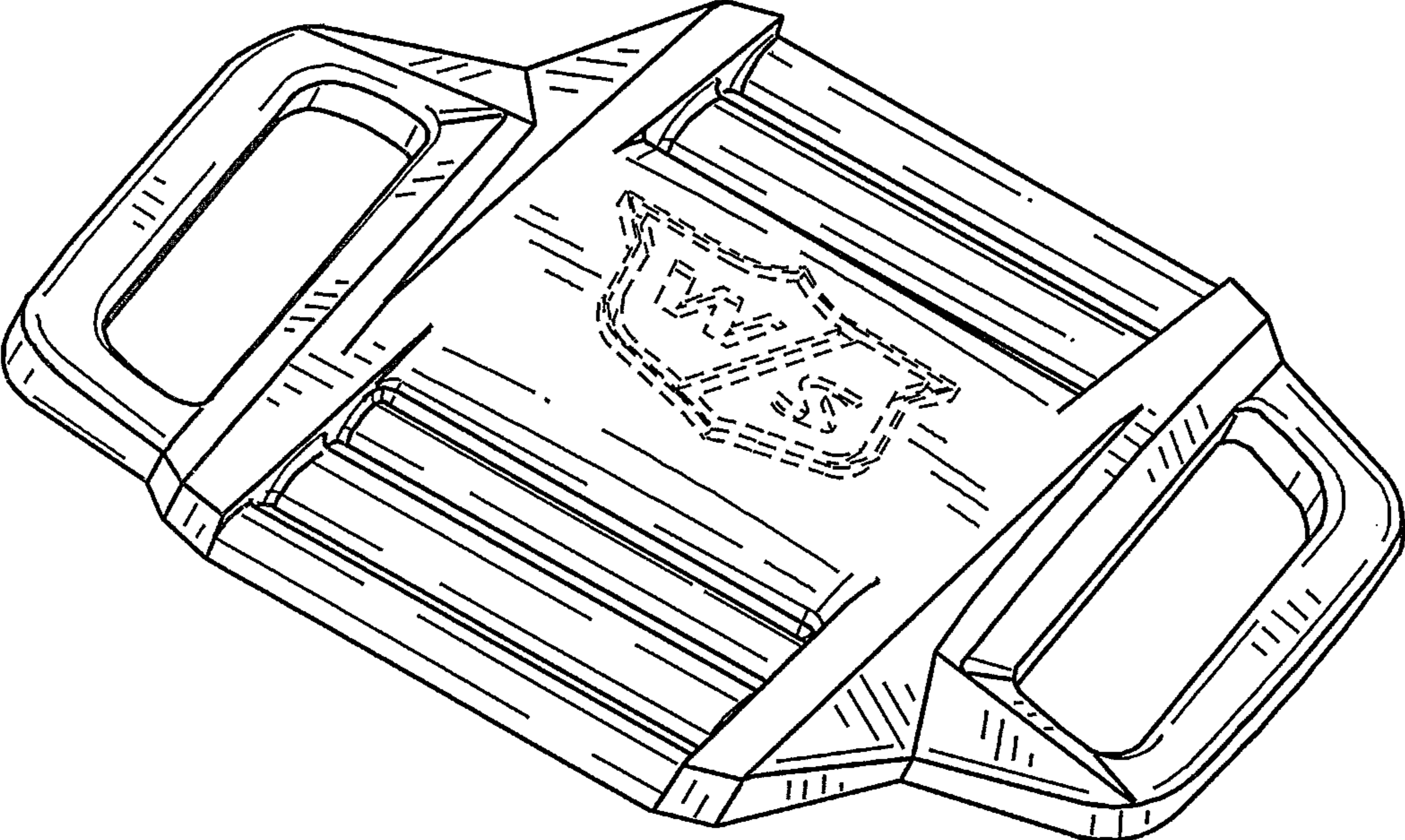


FIG. 2

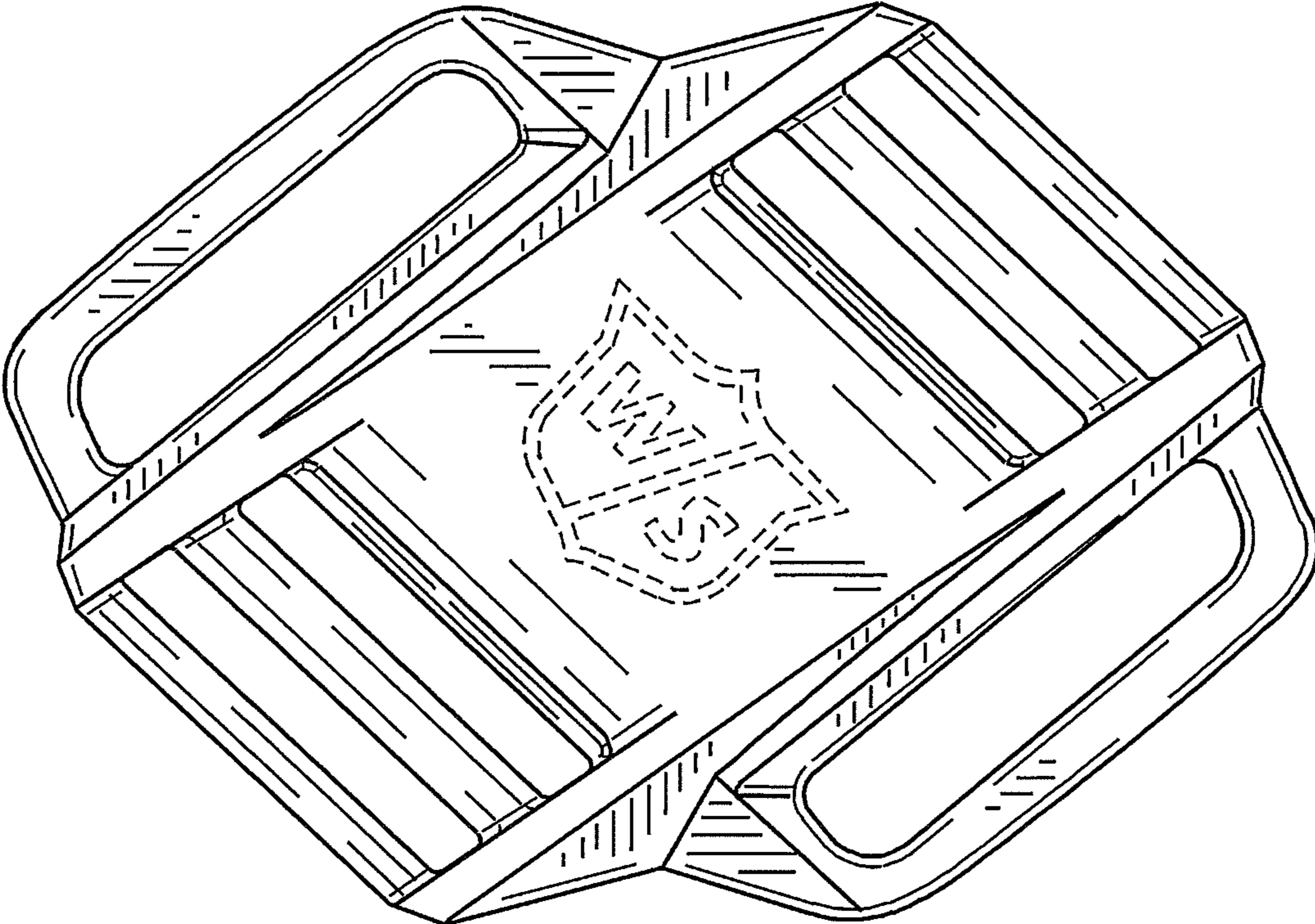


FIG. 3

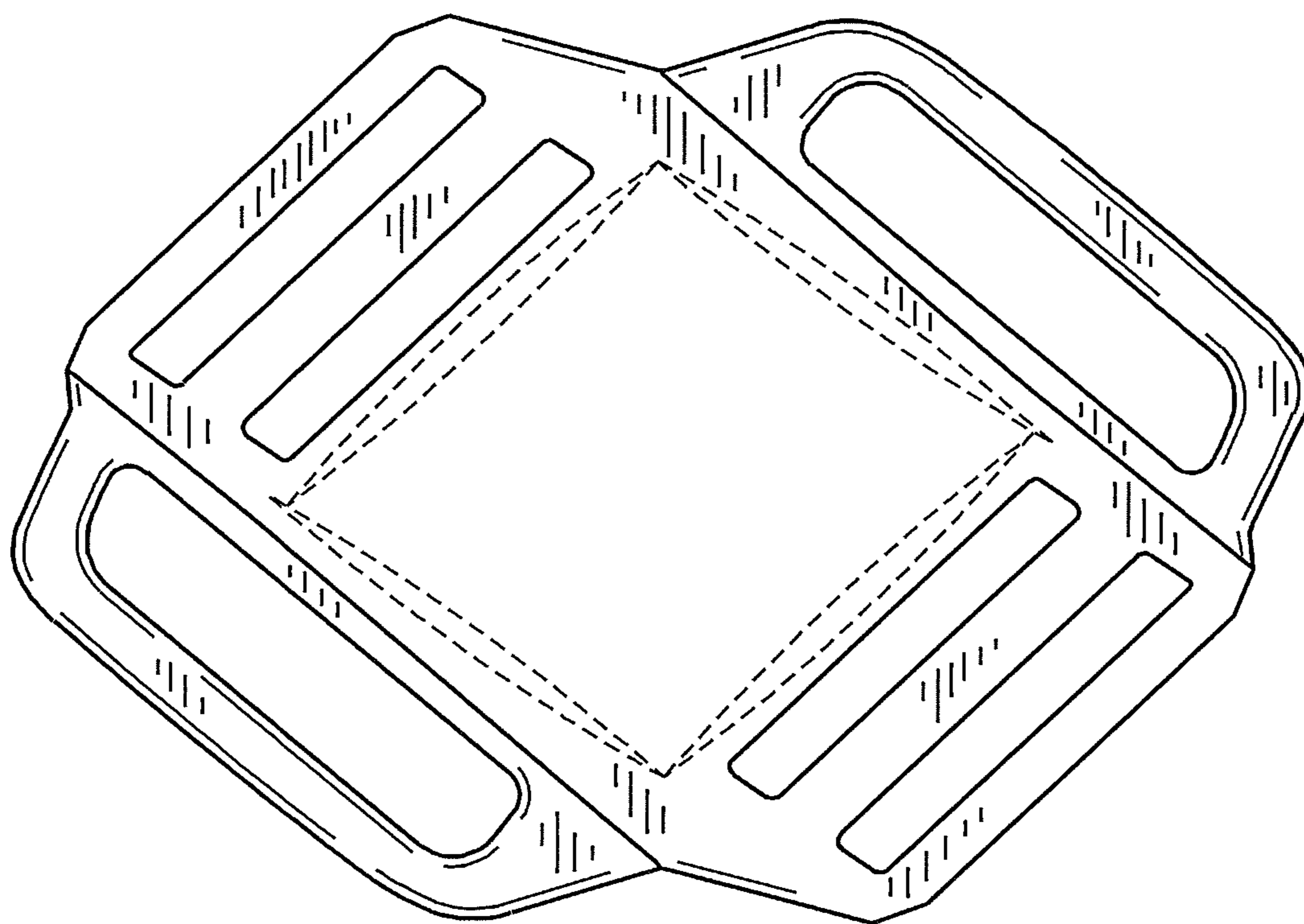


FIG. 4



FIG. 5

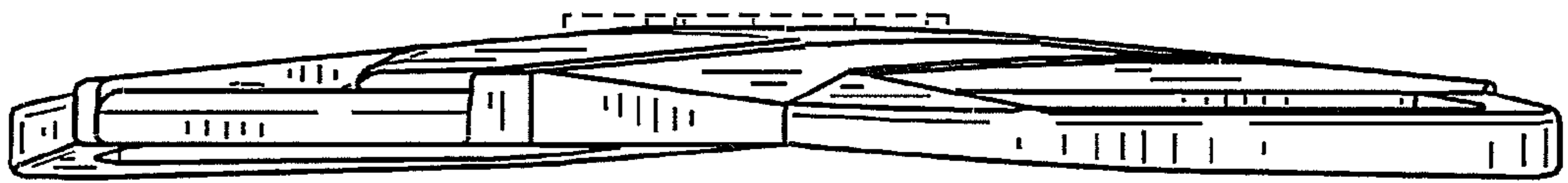


FIG. 6

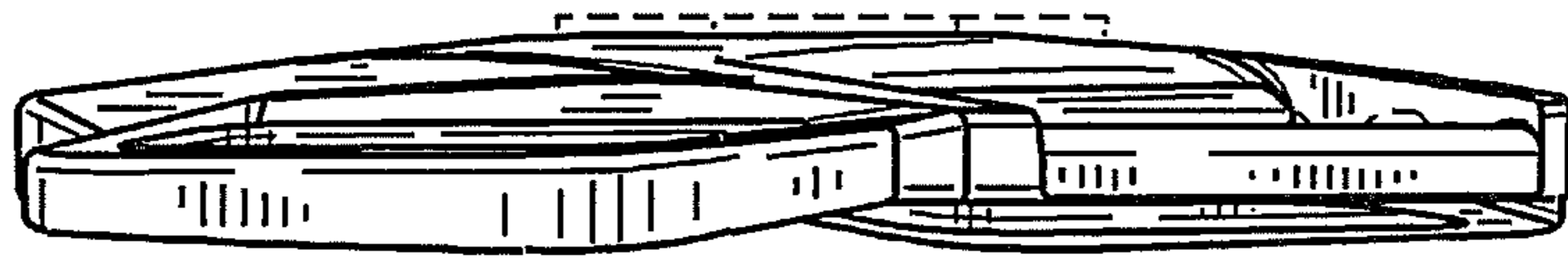


FIG. 7

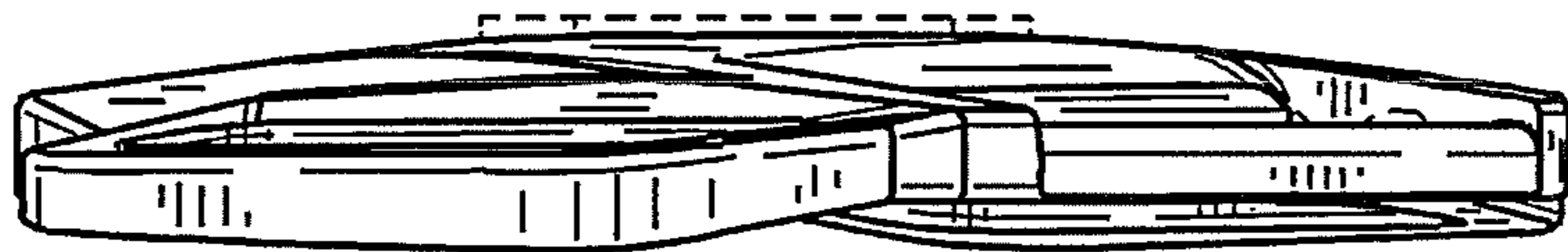


FIG. 8