



US00D690109S

(12) **United States Design Patent**
Shupp

(10) **Patent No.:** **US D690,109 S**

(45) **Date of Patent:** **** Sep. 24, 2013**

(54) **CARRIER FOR TRANSPORTING ALCOHOLIC BEVERAGE BOTTLES**

(71) Applicant: **Josh Shupp**, Portland, OR (US)

(72) Inventor: **Josh Shupp**, Portland, OR (US)

(**) Term: **14 Years**

(21) Appl. No.: **29/438,450**

(22) Filed: **Nov. 29, 2012**

(51) **LOC (9) Cl.** **03-01**

(52) **U.S. Cl.**
USPC **D3/309**

(58) **Field of Classification Search**
USPC D3/303–315, 318–319, 328; D7/600.1,
D7/601–602, 701; 220/23.83, 23.86
See application file for complete search history.

(56) **References Cited**

U.S. PATENT DOCUMENTS

2,362,990	A *	11/1944	Crane	206/171
2,728,485	A *	12/1955	Howard	206/200
2,821,327	A *	1/1958	Glazer	206/203
D192,756	S *	5/1962	Hodgman	D3/309
3,433,383	A *	3/1969	Phibbs	220/8
3,893,607	A *	7/1975	Jones	206/576
D259,099	S *	5/1981	Davis	D3/309
D353,745	S *	12/1994	Rinard	D7/637
D358,484	S *	5/1995	Cautereels et al.	D3/310
5,433,373	A *	7/1995	Zoeller	229/117.26
D440,047	S *	4/2001	Crump	D3/319
D442,483	S *	5/2001	Holden	D9/753
D451,281	S *	12/2001	Wodkowski et al.	D3/315
D464,199	S *	10/2002	Lacy et al.	D3/306
D484,011	S *	12/2003	Strobel et al.	D7/706
D525,032	S *	7/2006	Jones	D3/315

(Continued)

OTHER PUBLICATIONS

Mt. Pleasant Brewing Company, Growler Carriers, Product information available at <http://www.mtpleasantbrew.com/Goods.aspx>, Jul. 11, 2013.

Primary Examiner — Kelley Donnelly

(74) *Attorney, Agent, or Firm* — Mohr Intellectual Property Law Solutions, PC

(57) **CLAIM**

I claim the ornamental design for a carrier for transporting alcoholic beverage bottles, as shown and described.

DESCRIPTION

FIG. 1 is a front perspective view of a carrier for transporting alcoholic beverage bottles shown with environment;

FIG. 2 is a front perspective view of a carrier for transporting alcoholic beverage bottles with the growler and two wine bottles removed.

FIG. 3 is a front elevation view of the carrier for transporting alcoholic beverage bottles.

FIG. 4 is a left side elevation view of the carrier for transporting alcoholic beverage bottles.

FIG. 5 is right side elevation view of the carrier for transporting alcoholic beverage bottles.

FIG. 6 is a rear elevation view of the carrier for transporting alcoholic beverage bottles.

FIG. 7 is a bottom elevation view of the carrier for transporting alcoholic beverage bottles.

FIG. 8 is a top elevation view of the carrier for transporting alcoholic beverage bottles.

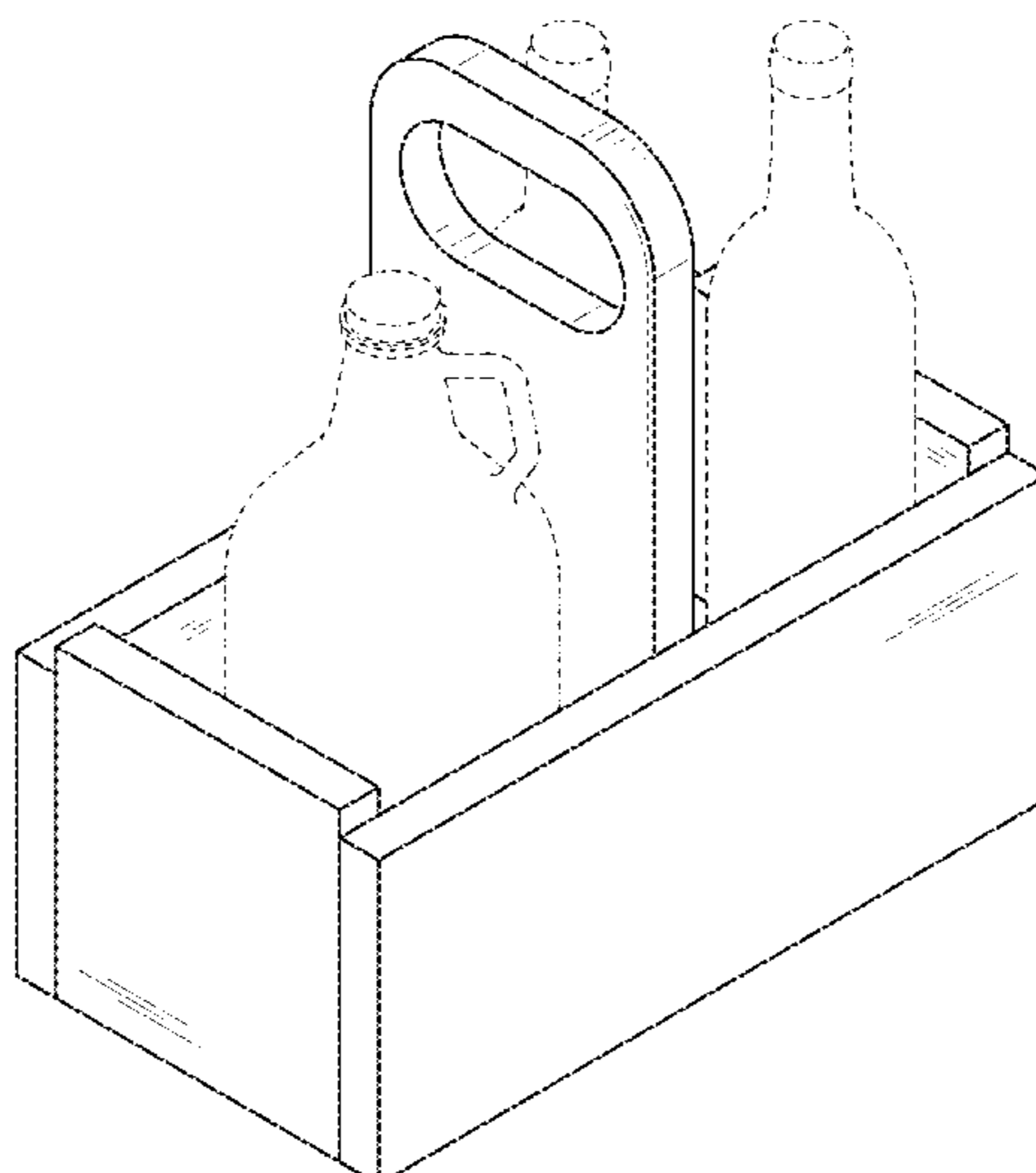
FIG. 9 is a top elevation view of the carrier for transporting alcoholic beverage bottles with the growler and two wine bottles removed.

FIG. 10 is a front elevation view of the carrier for transporting alcoholic beverage bottles with the growler and two wine bottles removed; and,

FIG. 11 is a rear elevation view of the carrier for transporting alcoholic beverage bottles with the growler and two wine bottles removed.

The claimed ornamental design is shown in solid lines. Any dashed lines in the drawings are for illustrative purposes only and form no part of the claimed design.

1 Claim, 8 Drawing Sheets



(56)

References Cited

U.S. PATENT DOCUMENTS

D537,251 S * 2/2007 Musgrove D3/307
D537,632 S * 3/2007 Quansah D3/303
D548,458 S * 8/2007 Gregson et al. D3/245
D550,458 S * 9/2007 Watson D3/304

D587,897 S * 3/2009 Radke D3/202
D649,786 S * 12/2011 Lipfert et al. D3/308
D650,987 S * 12/2011 Rothbauer D3/215
D662,712 S * 7/2012 Rodriguez D3/310
D684,369 S * 6/2013 Daigle et al. D3/309

* cited by examiner

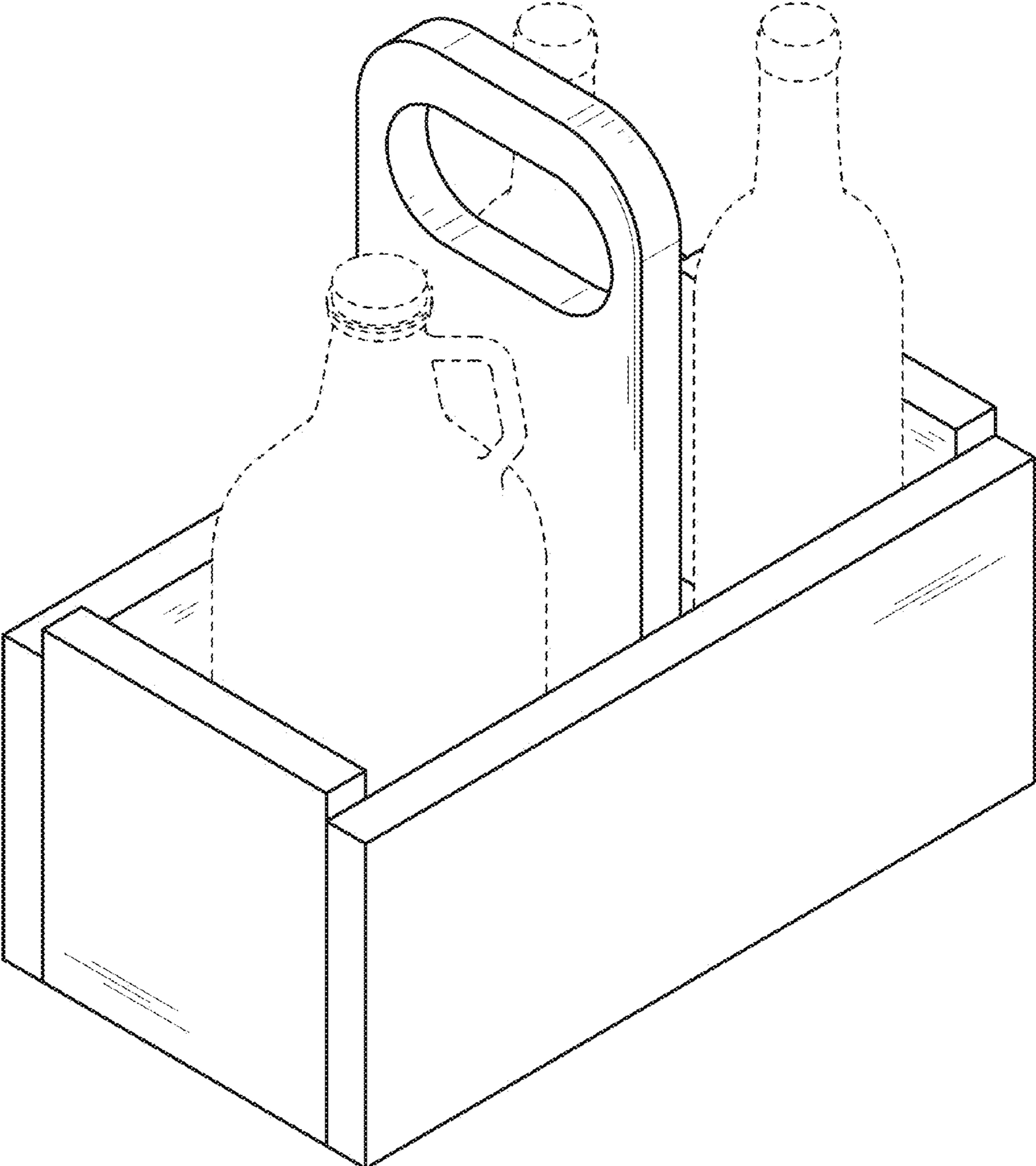


FIG.1

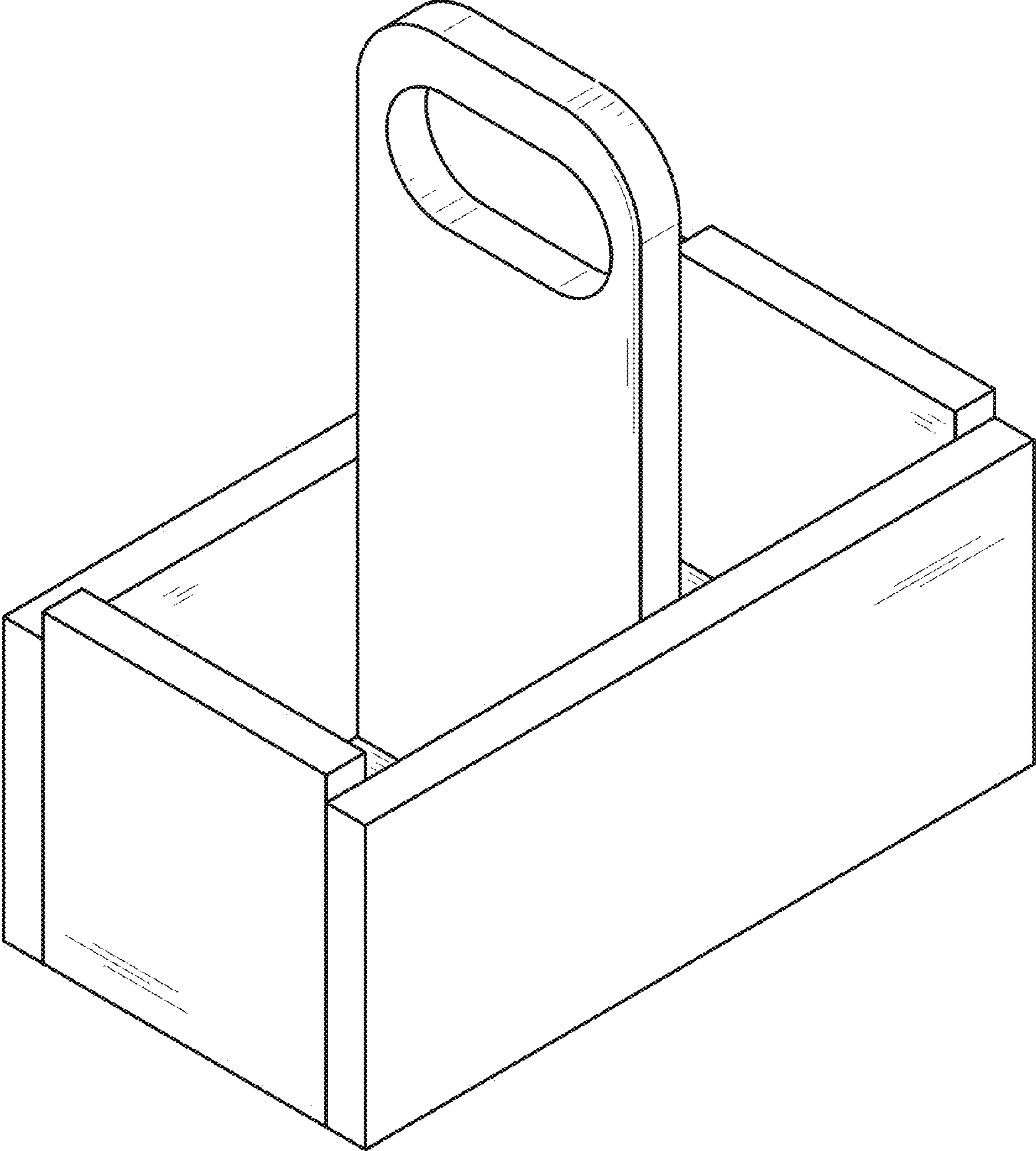


FIG.2

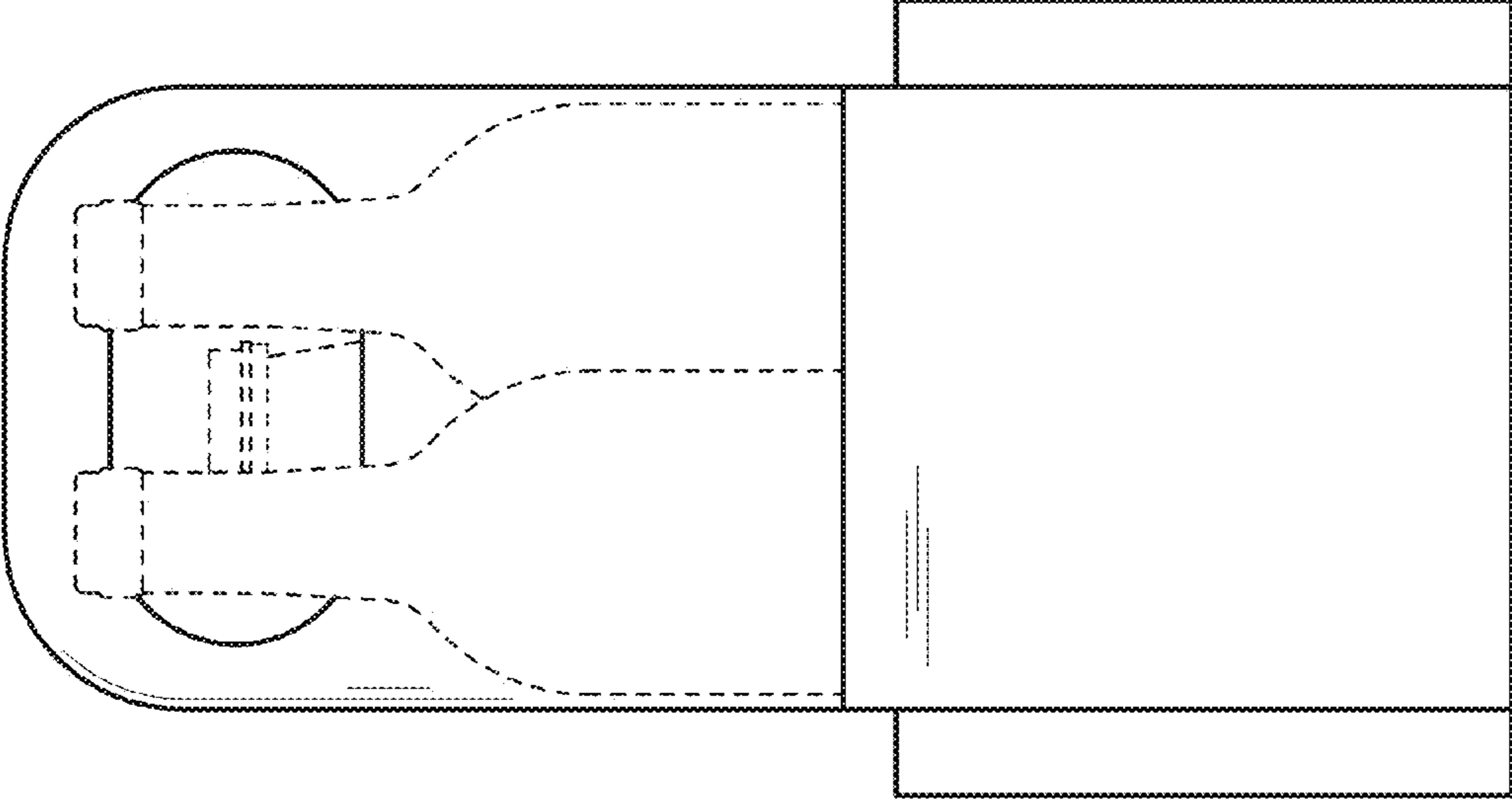


FIG.4

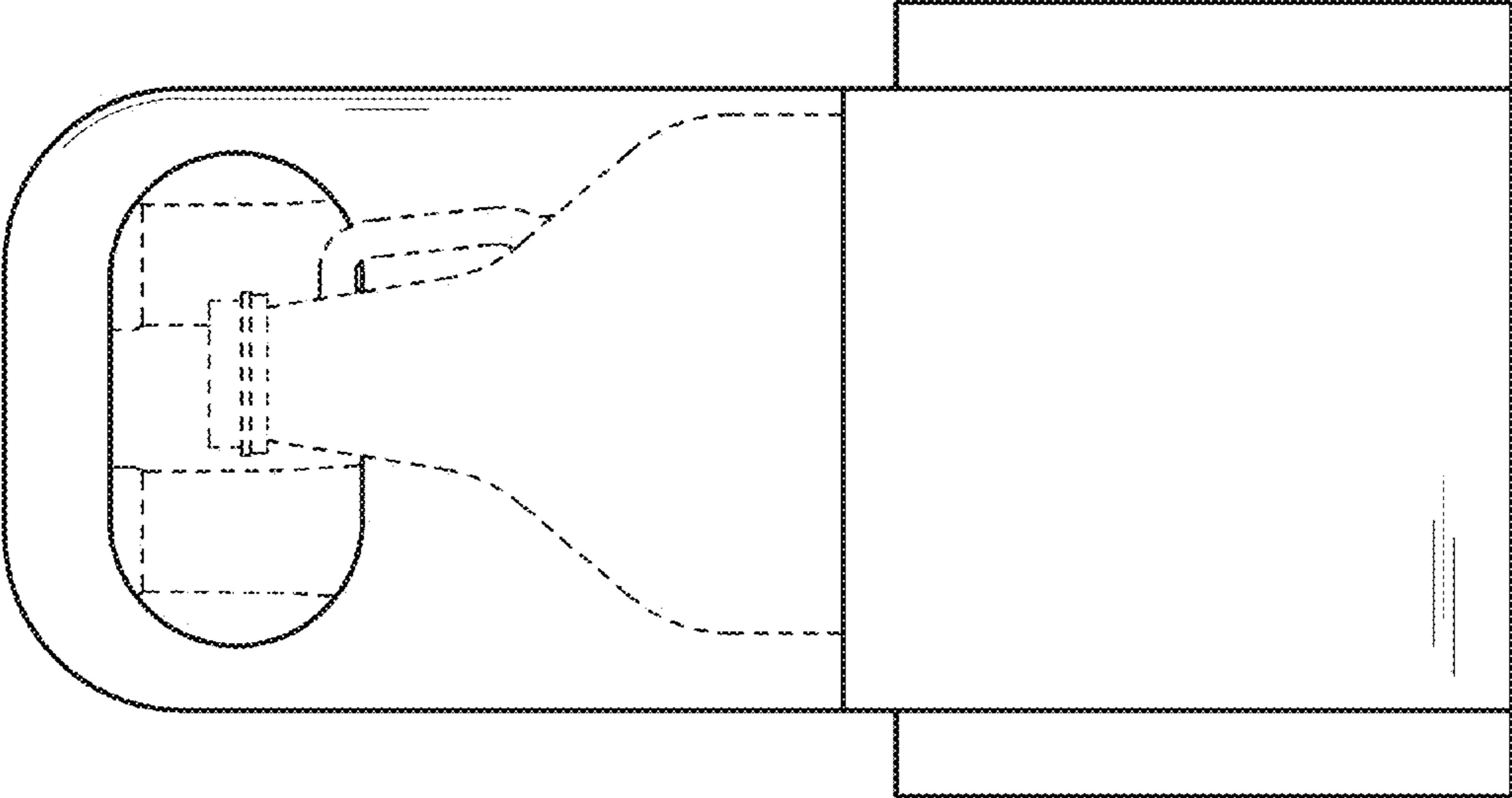


FIG.3

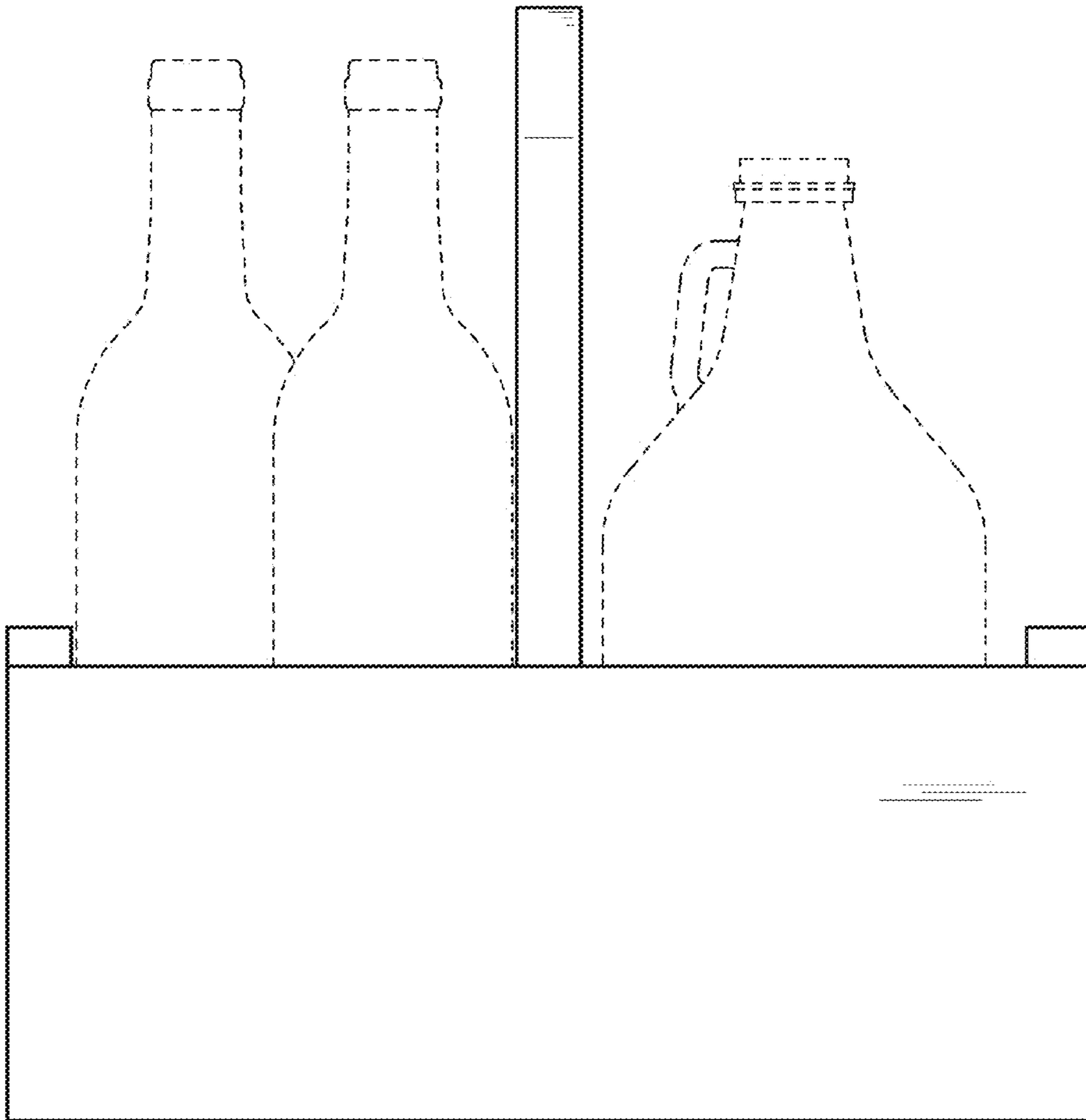


FIG.5

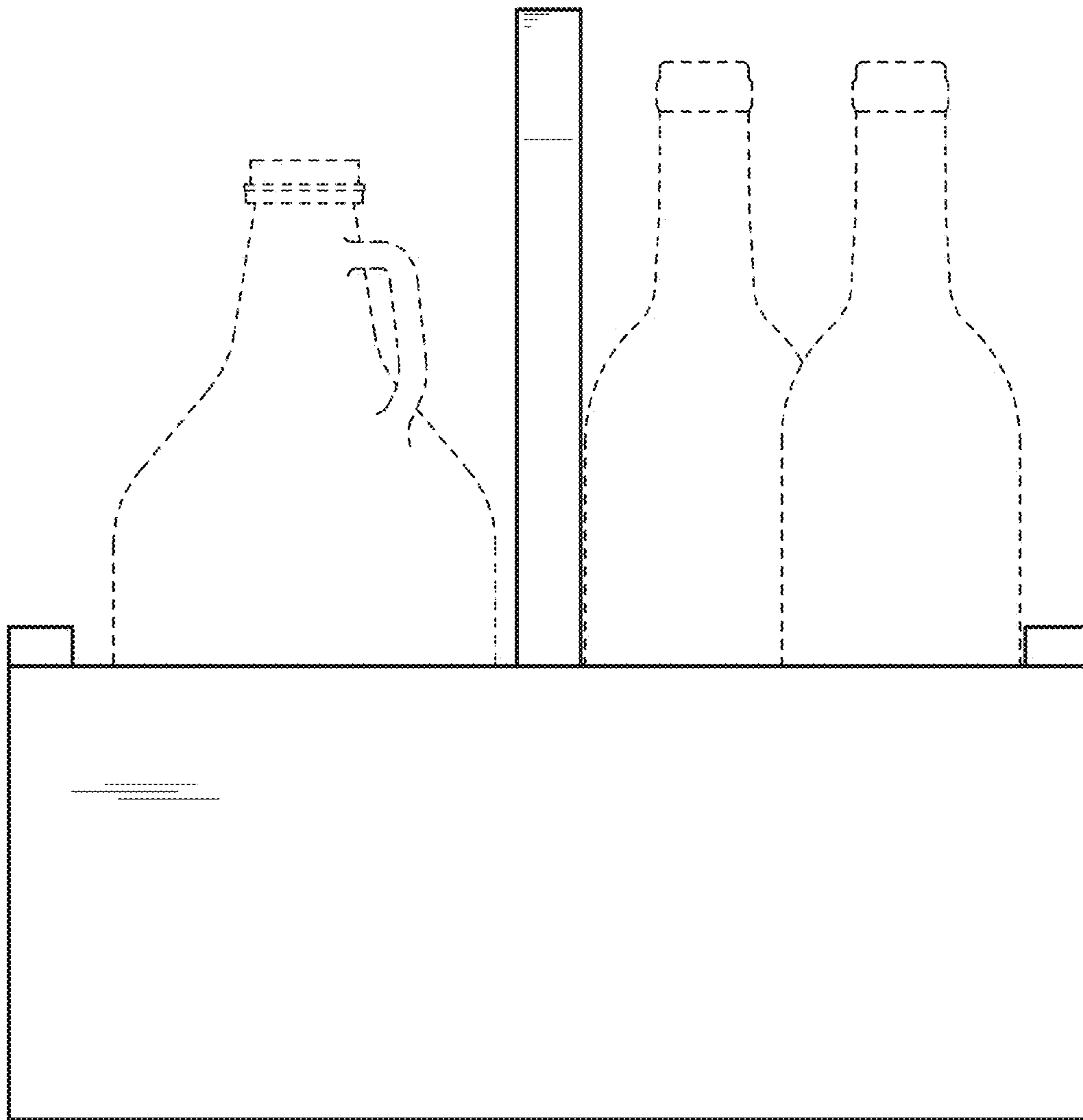


FIG.6

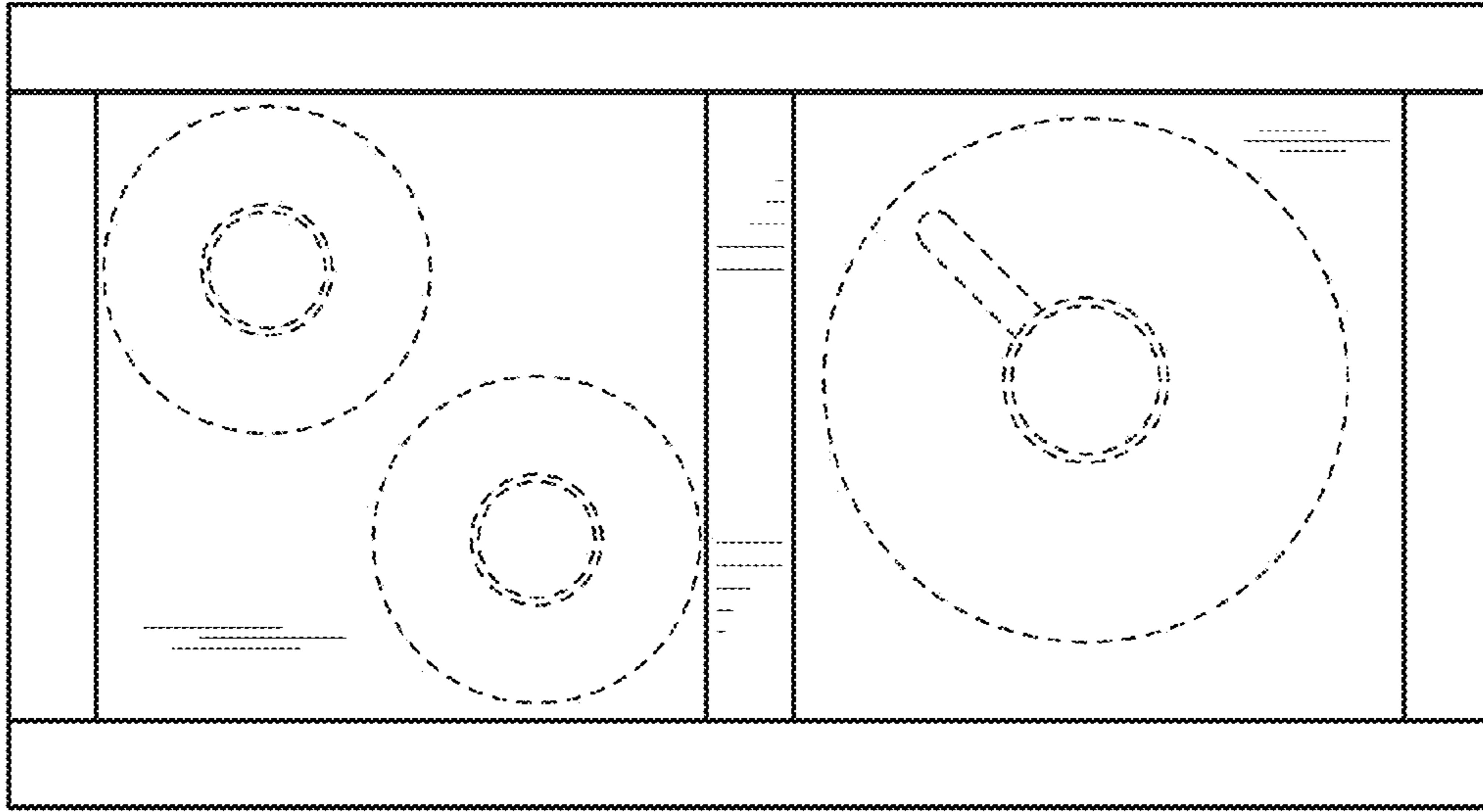


FIG. 7

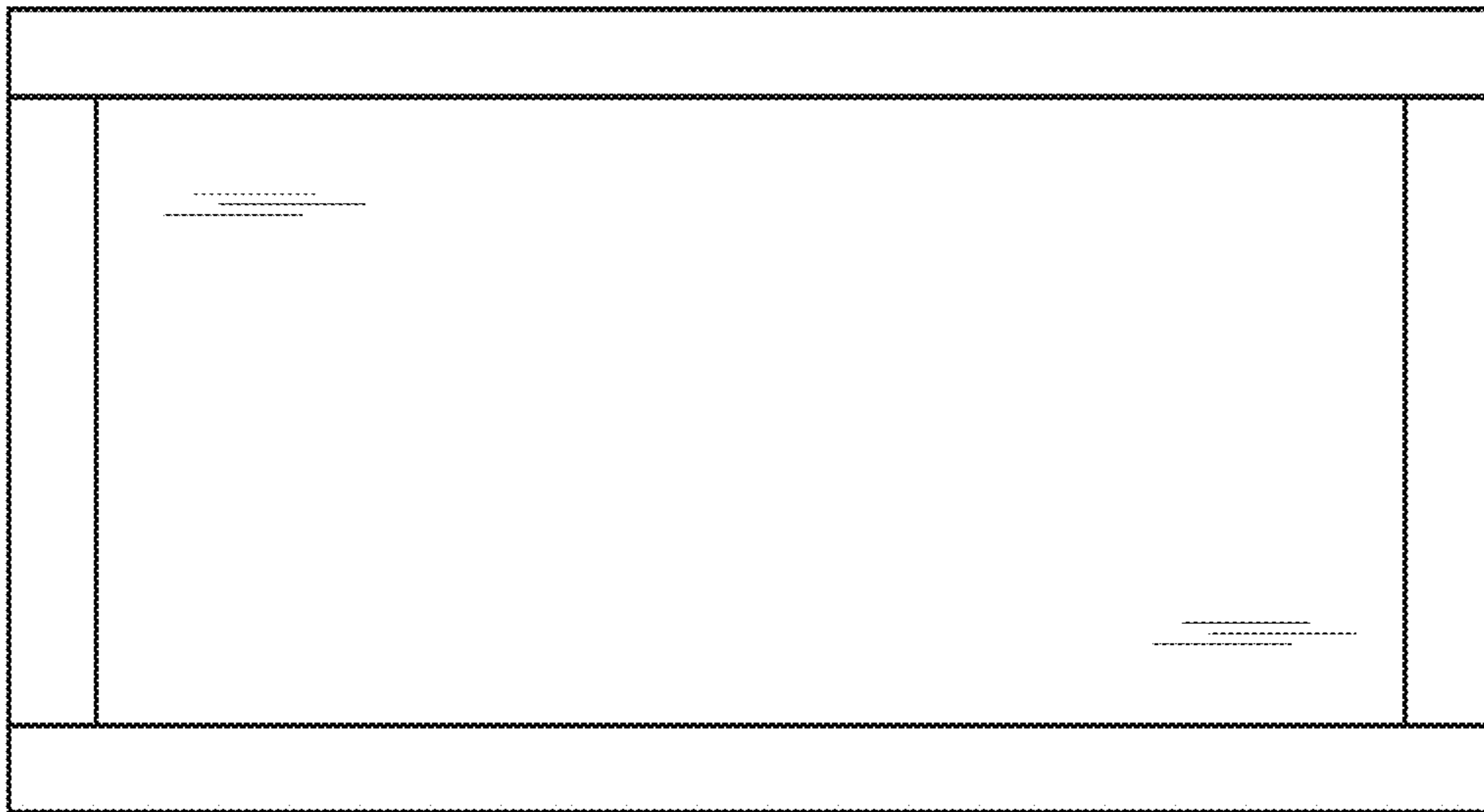


FIG. 8

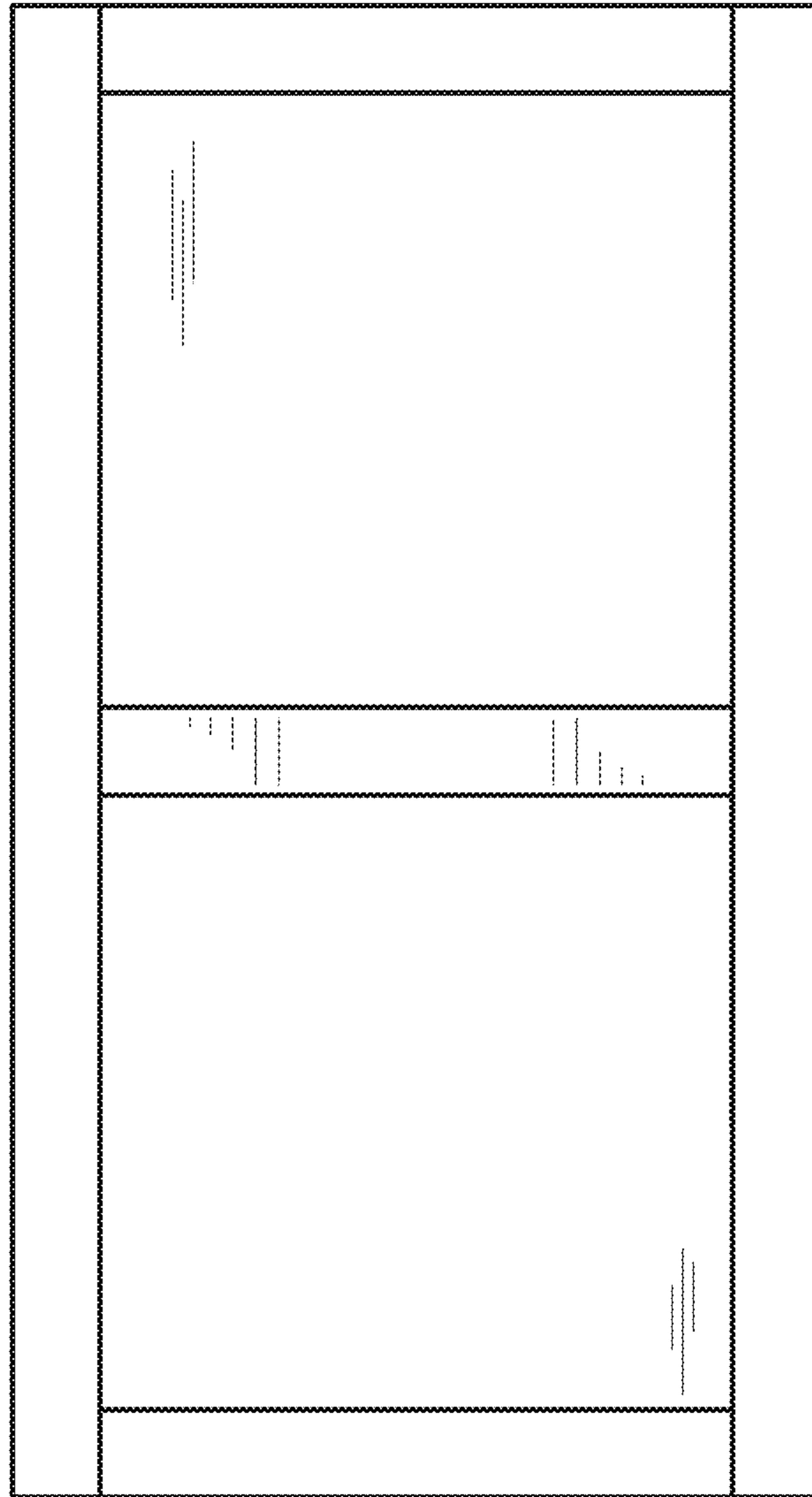


FIG.9

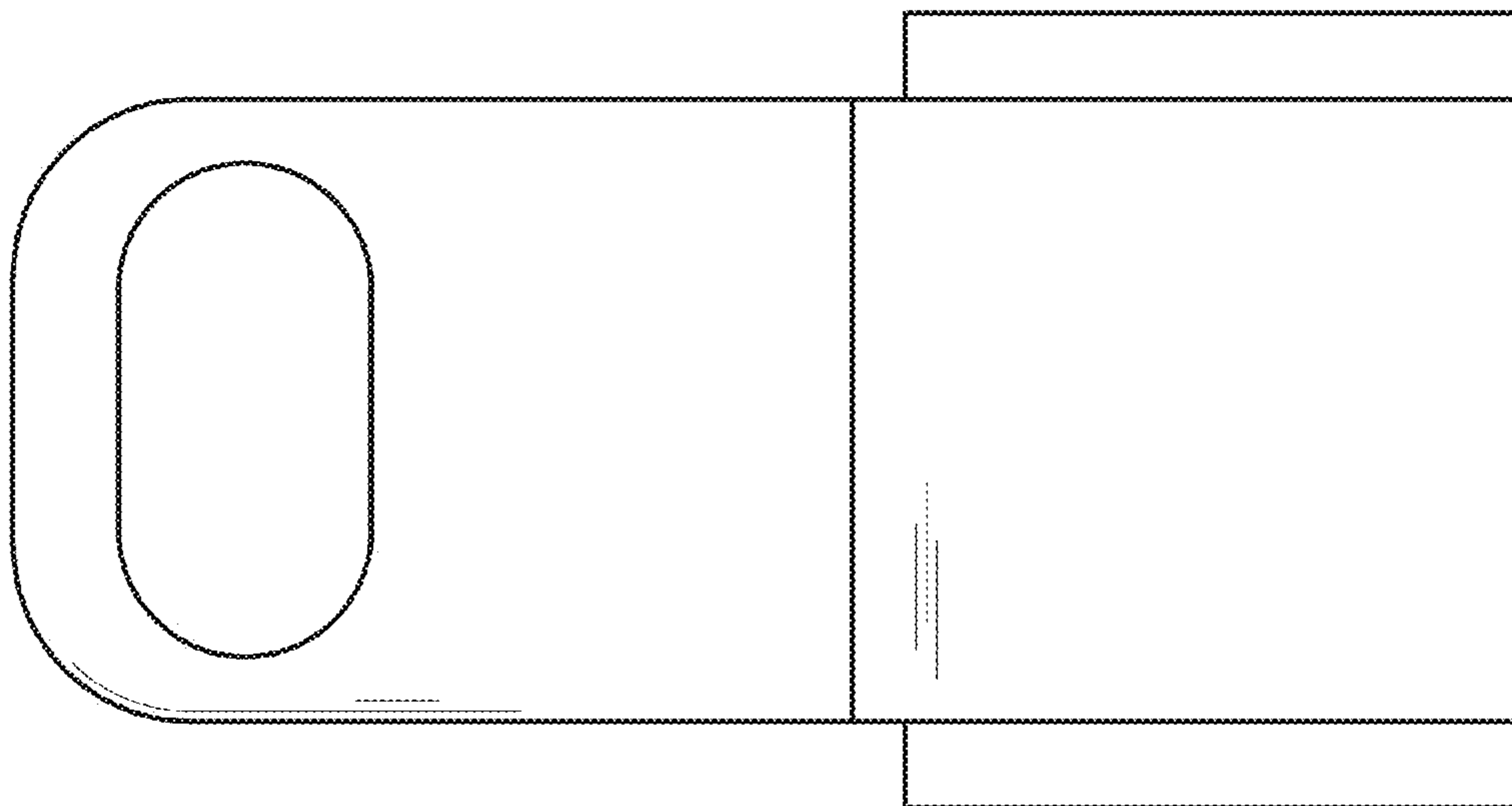


FIG.11

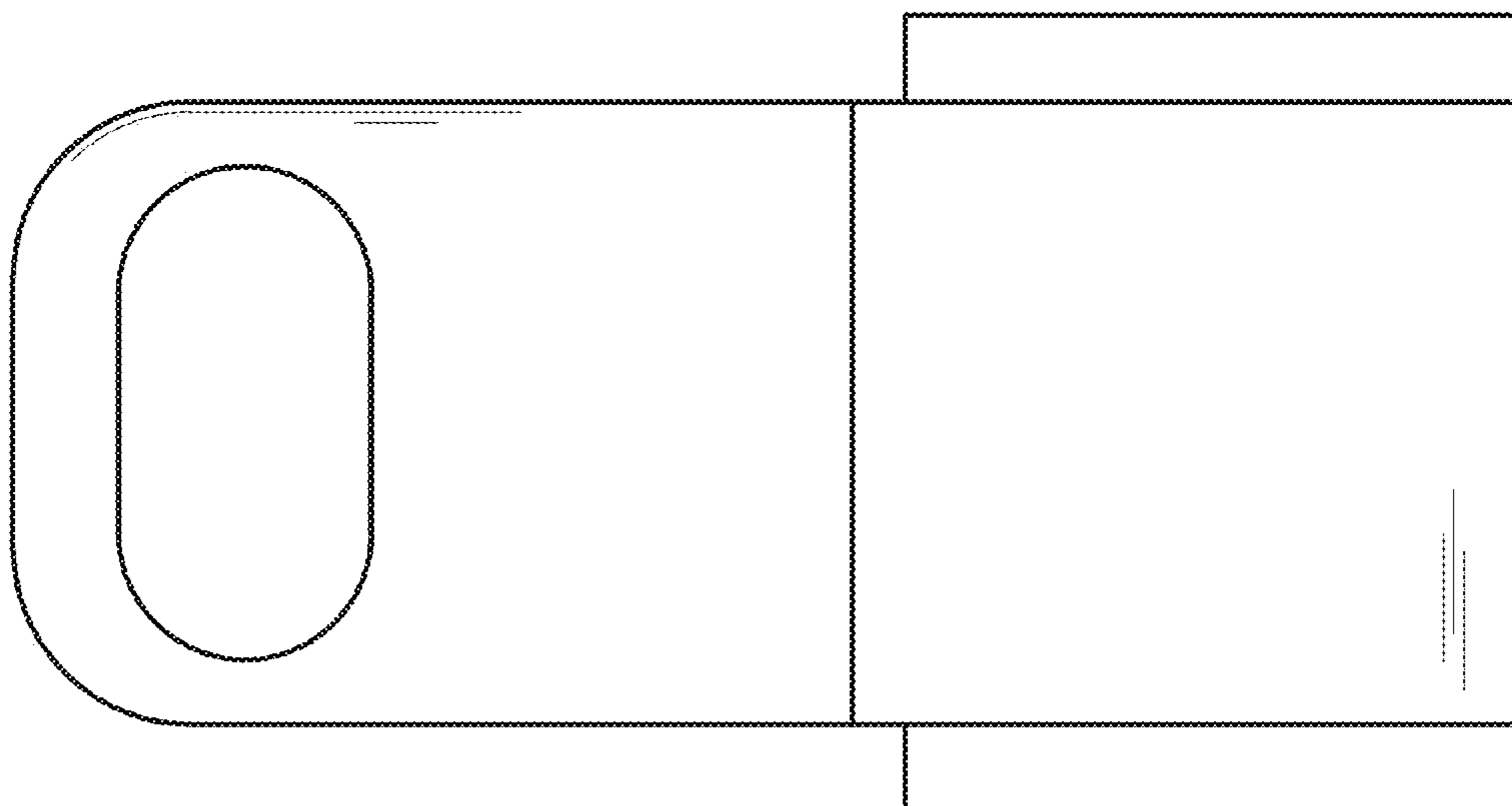


FIG.10