

US00D690107S

(12) **United States Design Patent**
Scott

(10) **Patent No.:** **US D690,107 S**
(45) **Date of Patent:** **** Sep. 24, 2013**

(54) **CARRYING TOTE**
(71) Applicant: **William Mitchell Scott**, Villa Hills, KY
(US)
(72) Inventor: **William Mitchell Scott**, Villa Hills, KY
(US)

2,289,619 A 7/1942 Anderson, Jr.
2,297,284 A 9/1942 Blackman
2,307,349 A 1/1943 Anderson, Jr.
2,307,350 A 1/1943 Anderson, Jr.
2,330,294 A 9/1943 Leavitt et al.
2,365,182 A 12/1944 Ferguson
2,418,963 A 4/1947 Anderson, Jr.
2,460,230 A 1/1949 Makrianes
2,537,801 A 1/1951 Swatsick

(**) Term: **14 Years**

(Continued)

(21) Appl. No.: **29/438,077**

FOREIGN PATENT DOCUMENTS

(22) Filed: **Nov. 26, 2012**

JP 52-171526 12/1977
JP 7-35313 6/1995
JP 2001-1294231 A 10/2001
WO WO 99/25621 5/1999

Related U.S. Application Data

(63) Continuation of application No. 29/419,510, filed on
Apr. 28, 2012, now Pat. No. Des. 671,323.

(51) **LOC (9) Cl.** **03-01**

(52) **U.S. Cl.**
USPC **D3/304**

(58) **Field of Classification Search**
USPC D3/304-305, 307-315; D19/75-76,
D19/86, 90-91, 99-100; 229/100, 117.13,
229/117.16, 120.02, 120.24, 120.29; 220/500,
220/528-529; D34/1; 312/183-184, 107;
211/45-46, 10-11, 126.13

See application file for complete search history.

OTHER PUBLICATIONS

Acrylic Desktop File Holder; http://www.alibaba.com/product-gs/541368370/acrylic_desktop_file_holder.html; Copyright © 1999-2012 Alibaba.com Hong Kong Limited and licensors; printed Oct. 24, 2012; p. 1-3.

(Continued)

Primary Examiner — Kelley Donnelly
(74) *Attorney, Agent, or Firm* — Hasse & Nesbitt LLC;
Donald E. Hasse; Daniel F. Nesbitt

(56) **References Cited**

(57) **CLAIM**
I claim the ornamental design for a carrying tote, as shown
and described.

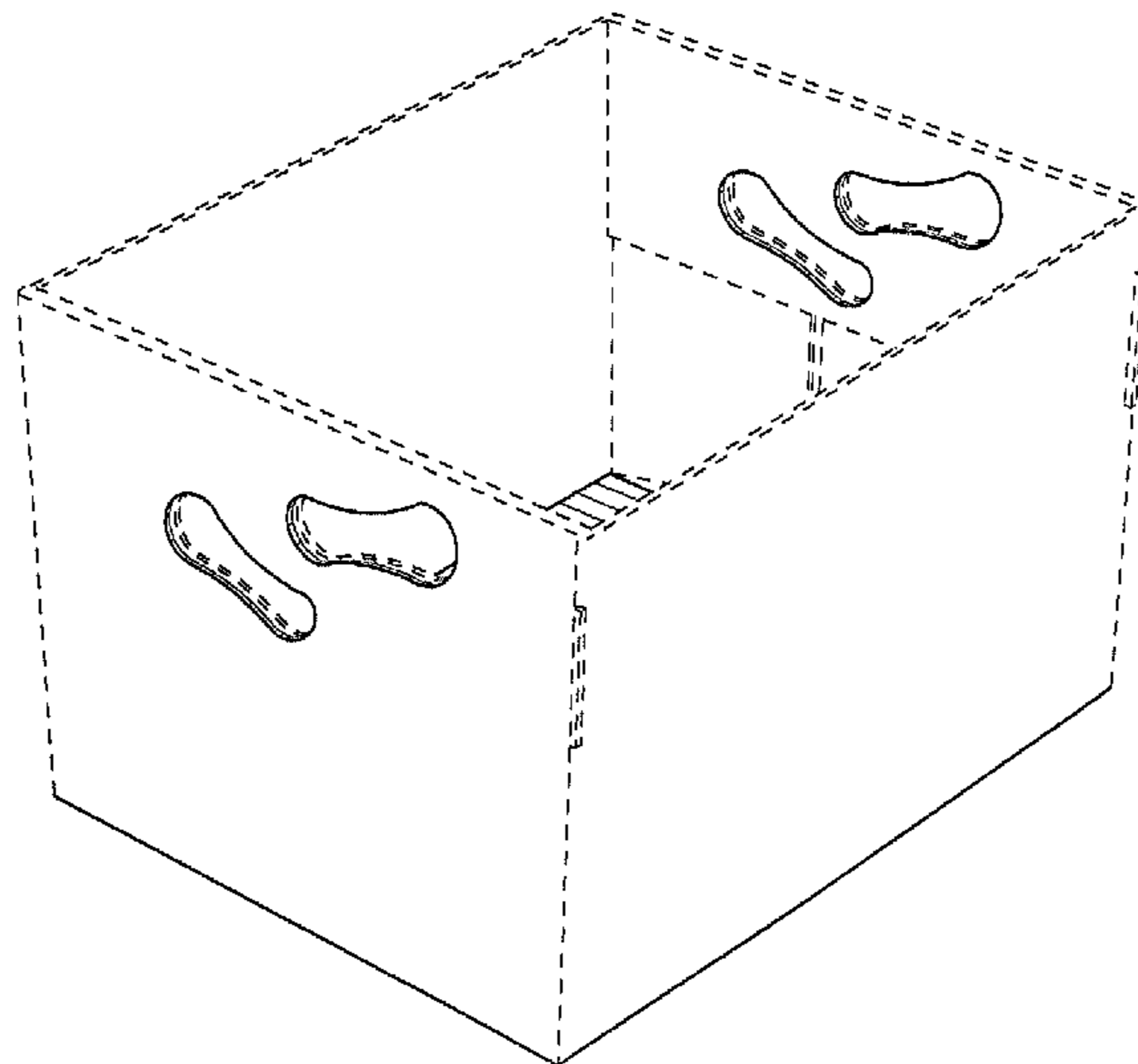
U.S. PATENT DOCUMENTS

1,457,770 A 6/1923 Dodge
1,623,547 A 4/1927 Neumann
1,865,688 A 7/1932 Hannaford
1,897,672 A 2/1933 Neumann
1,974,674 A 9/1934 Halladay et al.
2,054,355 A 9/1936 Anderson, Jr.
2,094,054 A 9/1937 Bixby
2,124,409 A 7/1938 Andrews
2,201,462 A 5/1940 Wells et al.
2,253,008 A 8/1941 Anderson, Jr.

DESCRIPTION

FIG. 1 is a perspective view of the new design;
FIG. 2 is a side view thereof;
FIG. 3 is a top view thereof; and,
FIG. 4 is a bottom view thereof.
The broken lines shown in the drawings are for illustrative
purposes only and form no part of the claimed design.

1 Claim, 3 Drawing Sheets



D673,368	S	1/2013	Scott
D675,443	S	2/2013	Scott
2001/0052477	A1	12/2001	McNeill
2005/0029260	A1	2/2005	Sheng-Bin
2005/0241971	A1	11/2005	Zou et al.
2005/0284906	A1	12/2005	Potts et al.
2006/0022026	A1	2/2006	Yandian et al.
2006/0243784	A1	11/2006	Glaser et al.
2007/0051787	A1	3/2007	Schille et al.
2008/0054059	A1	3/2008	Chadima
2009/0282843	A1	11/2009	Brand
2010/0314268	A1	12/2010	Goodman

OTHER PUBLICATIONS

Acrylic Magazine Holder (m Shape); http://www.alibaba.com/product-gs/274660307/Acrylic_magazine_holder_M_shape_.html; Copyright © 1999-2012 Alibaba.com Hong Kong Limited and licensors; printed Oct. 24, 2012; p. 1-2.

Zigzag Acrylic Literature http://www.alibaba.com/product-gs/294904097/zigzag_acrylic_literature_magazine_holder_acrylic.html; Copyright © 1999-2012 Alibaba.com Hong Kong Limited and licensors; printed Oct. 24, 2012; p. 1-3.

Kantek Acrylic Mini Sorter—KTKAD50; <http://www.discountofficeitems.com/office-supplies/desk-organizers/desk-organizers-holders/desktop-file-sorters/kantek-acrylic-mini-sorter/p14879.html>; Cart Reference # DGL1647F; Copyright © 2012 DiscountOfficeItems.com; printed Oct. 24, 2012; p. 1-3.

Lebon, Hilary (Social Media Pro/Consultant) Marketing Idea For The Day—Corrugated Plastic Totes; <http://www.mdi.org/index.php/marketing-idea-for-the-day-corrugated-plastic-totes/>; Jun. 28, 2011; Copyright © 2010 MDI; p. 1-3.

PCT Search Report and Written Opinion for Corresponding PCT Application No. PCT/US2012/036980; mailed Dec. 3, 2012; pp. 1-9. PCT Search Report and Written Opinion for Corresponding PCT Application No. PCT/US2012/037402; mailed Feb. 14, 2013; pp. 1-15.

Photo 1 of United States Postal Service bin; published prior to Apr. 28, 2012.

Photo 2 of United States Postal Service bins; published prior to Apr. 28, 2012.

Screen Shot of No. 1555 tote and 1560 tote; published prior to Apr. 28, 2012.

William M. Scott, U.S. Appl. No. 13/441,434, Container With Grips, filed Apr. 6, 2012.

William M. Scott, U.S. Appl. No. 13/448,349, Strengthening Insert for a Corrugated Box, filed Apr. 16, 2012.

William M. Scott, 29/391,489, Novel Box, filed May 9, 2011.

William M. Scott, U.S. Appl. No. 29/391,490, Novel Box & Private Label, filed May 10, 2011.

William M. Scott, U.S. Appl. No. 29/444,761, Box, filed Feb. 4, 2013.

William M. Scott, U.S. Appl. No. 29/391,492, Box, filed May 10, 2011.

William M. Scott, U.S. Appl. No. 29/445,333, Box, filed Feb. 11, 2013.

William M. Scott, U.S. Appl. No. 29/419,400, Box With Locking Ports, filed Apr. 27, 2012.

William M. Scott, U.S. Appl. No. 29/438,590, Box, filed Nov. 30, 2012.

William M. Scott, U.S. Appl. No. 29/438,066, Carrying Tote, filed Nov. 26, 2012.

William M. Scott, U.S. Appl. No. 29/438,072, Carrying Tote, filed Nov. 26, 2012.

William M. Scott, U.S. Appl. No. 29/438,077, Carrying Tote, filed Nov. 26, 2012.

William M. Scott, U.S. Appl. No. 29/431,415, Box, filed Sep. 7, 2012.

William M. Scott, U.S. Appl. No. 29/431,416, Box, filed Sep. 7, 2012.

William M. Scott, U.S. Appl. No. 29/431,417, Box, filed Sep. 7, 2012.

William M. Scott, U.S. Appl. No. 13/606,059, Shipping Container With Grips and Locking Ports, filed Sep. 7, 2012.

William M. Scott, U.S. Appl. No. 29/431,504, Box, filed Sep. 7, 2012.

William M. Scott, U.S. Appl. 29/431,507, Box, filed Sep. 7, 2012.

William M. Scott, U.S. Appl. No. 13/673,246, Document Holding Device, filed Nov. 9, 2012.

William M. Scott, U.S. Appl. No. 29/436876, Document Partition, filed Nov. 9, 2012.

William M. Scott, U.S. Appl. No. 29/436,882, Shaped document Partition, filed Nov. 9, 2012.

* cited by examiner

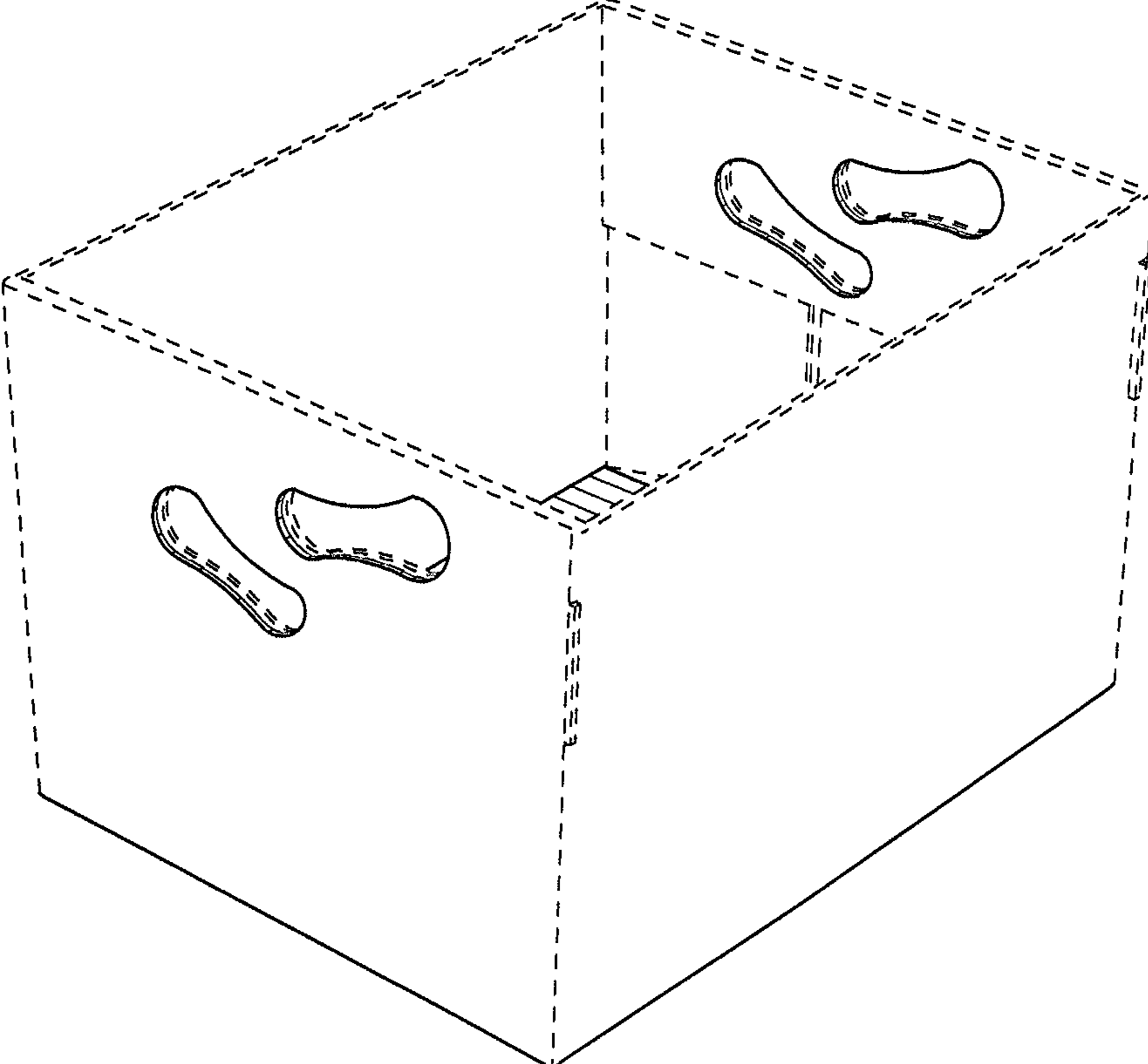


FIG. 1

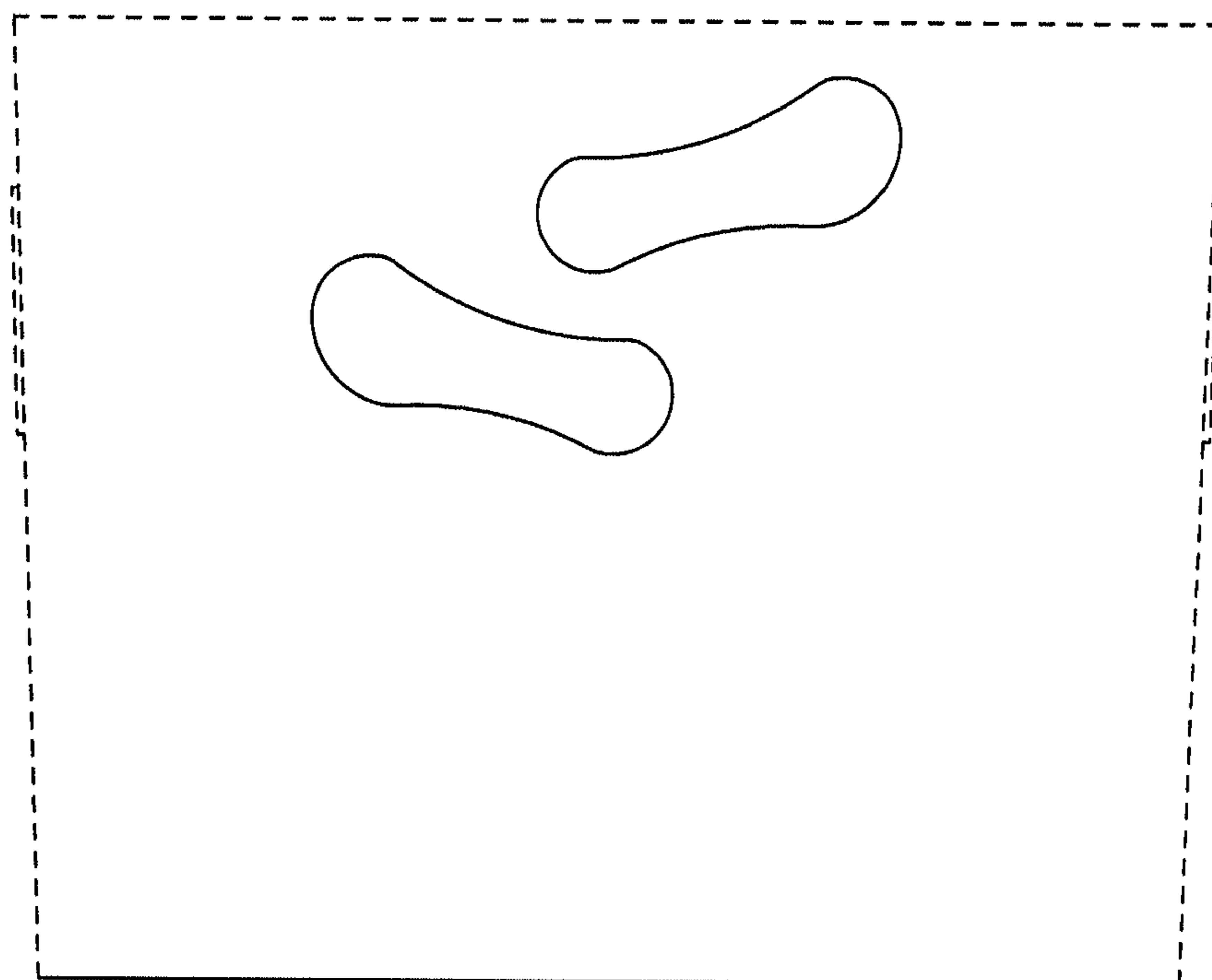


FIG. 2

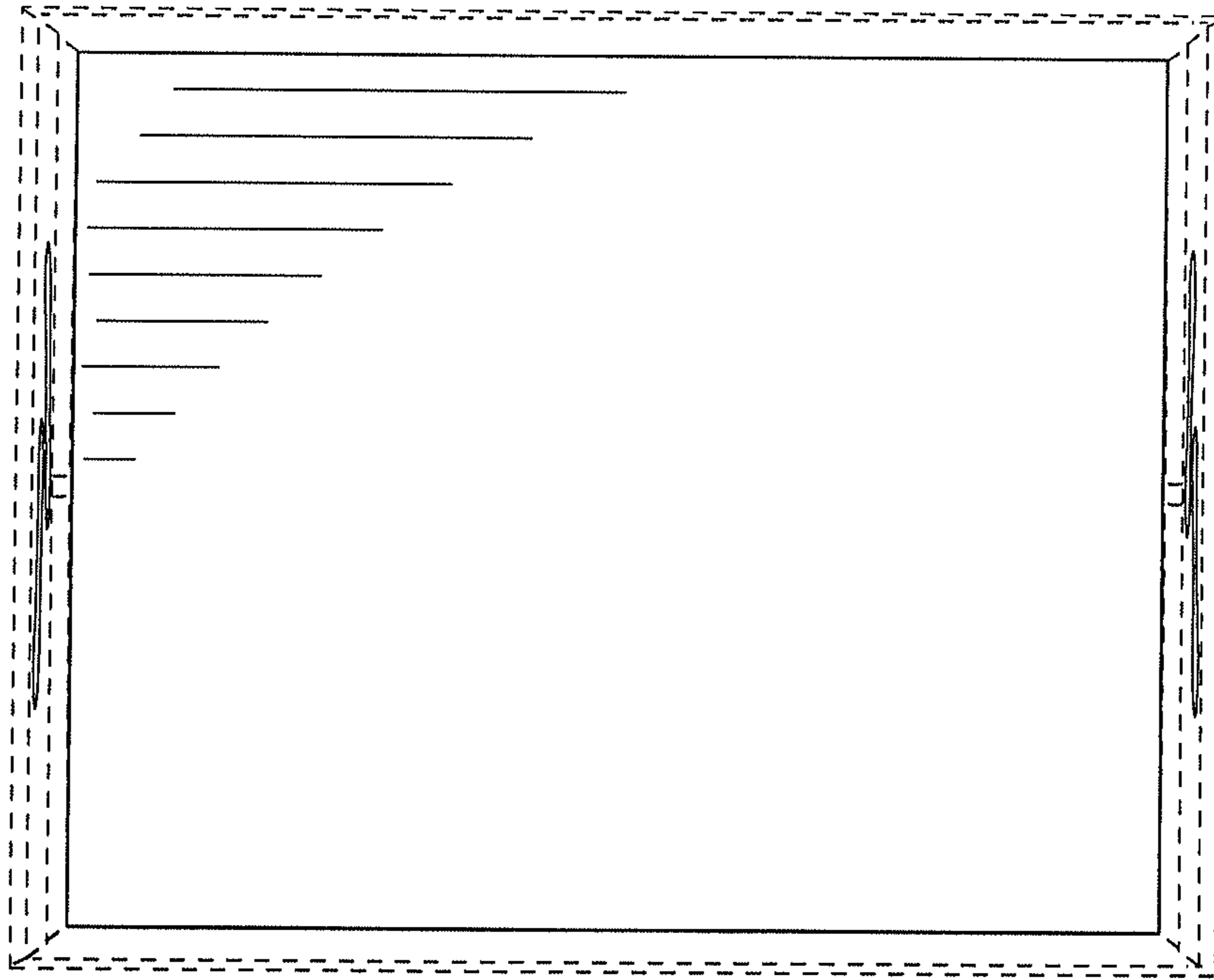


FIG. 3

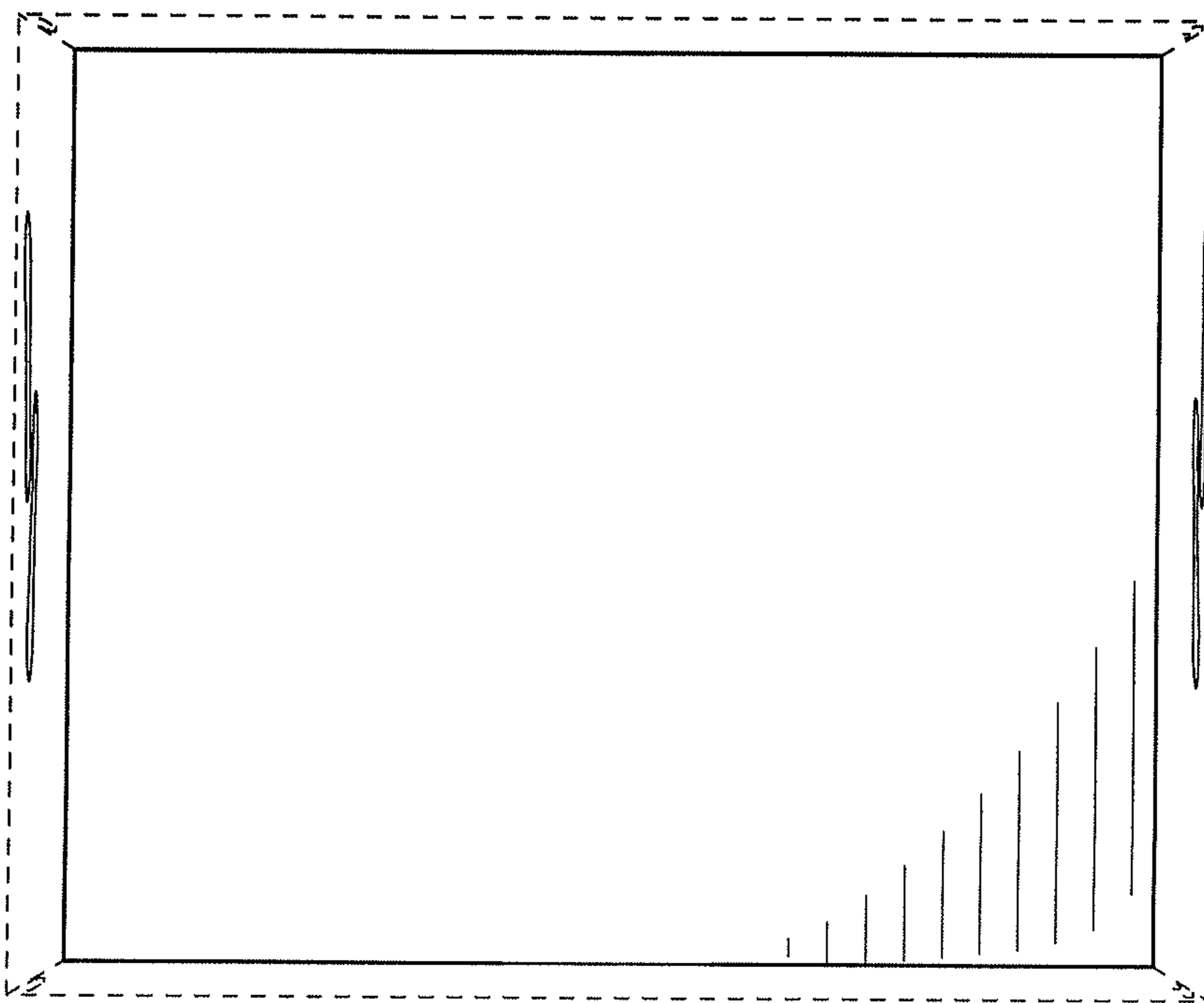


FIG. 4