

US00D690105S

(12) **United States Design Patent**  
**Scott**

(10) **Patent No.:** **US D690,105 S**  
(45) **Date of Patent:** **\*\* Sep. 24, 2013**

(54) **CARRYING TOTE**  
(71) Applicant: **William Mitchell Scott**, Villa Hills, KY  
(US)  
(72) Inventor: **William Mitchell Scott**, Villa Hills, KY  
(US)  
(\*\*) Term: **14 Years**

2,289,619 A 7/1942 Anderson, Jr.  
2,297,284 A 9/1942 Blackman  
2,307,349 A 1/1943 Anderson, Jr.  
2,307,350 A 1/1943 Anderson, Jr.  
2,330,294 A 9/1943 Leavitt et al.  
2,365,182 A 12/1944 Ferguson  
2,418,963 A 4/1947 Anderson, Jr.  
2,460,230 A 1/1949 Makrianes  
2,537,801 A 1/1951 Swatsick

(Continued)

(21) Appl. No.: **29/438,066**  
(22) Filed: **Nov. 26, 2012**

**Related U.S. Application Data**

(63) Continuation of application No. 29/419,507, filed on  
Apr. 28, 2012, now Pat. No. Des. 671,321.  
(51) **LOC (9) Cl.** ..... **03-01**  
(52) **U.S. Cl.**  
USPC ..... **D3/304**  
(58) **Field of Classification Search**  
USPC ..... D3/304-305, 307-315; D19/75-76,  
D19/86, 90-91, 99-100; 229/100, 117.13,  
229/117.16, 120.02, 120.24, 120.29; 220/500,  
220/528-529; D34/1; 312/183-184, 107;  
211/45-46, 10-11, 126.13  
See application file for complete search history.

**FOREIGN PATENT DOCUMENTS**

JP 52-171526 12/1977  
JP 7-35313 6/1995  
JP 2001-1294231 A 10/2001  
WO WO 99/25621 5/1999

**OTHER PUBLICATIONS**

Acrylic Desktop File Holder; [http://www.alibaba.com/product-gs/541368370/acrylic\\_desktop\\_file\\_holder.html](http://www.alibaba.com/product-gs/541368370/acrylic_desktop_file_holder.html); Copyright © 1999-2012 Alibaba.com Hong Kong Limited and licensors; printed Oct. 24, 2012; p. 1-3.

(Continued)

*Primary Examiner* — Kelley Donnelly  
(74) *Attorney, Agent, or Firm* — Hasse & Nesbitt LLC;  
Donald E. Hasse; Daniel F. Nesbitt

(57) **CLAIM**  
I claim the ornamental design for a carrying tote, as shown  
and described.

(56) **References Cited**

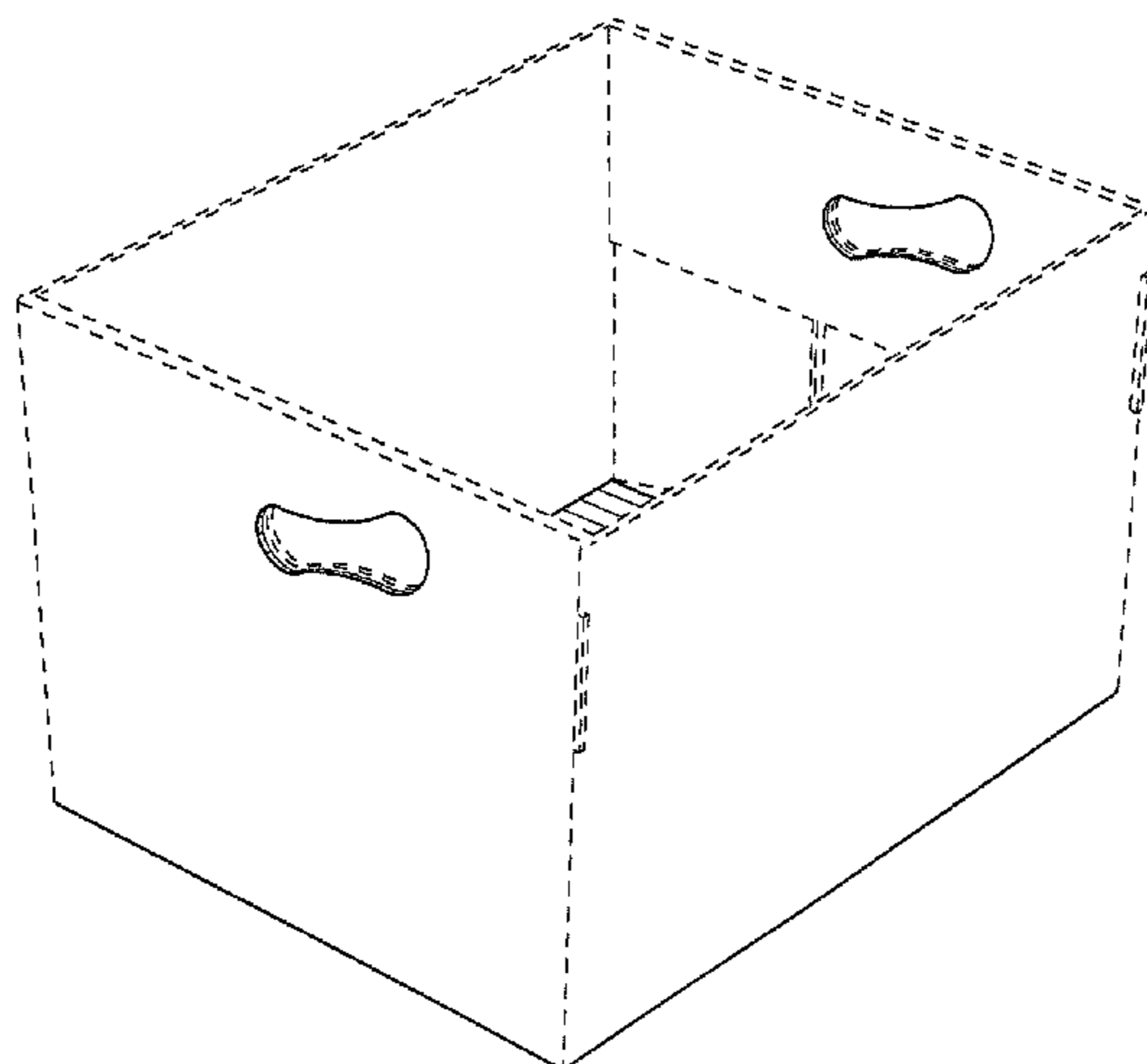
**U.S. PATENT DOCUMENTS**

1,457,770 A 6/1923 Dodge  
1,623,547 A 4/1927 Neumann  
1,865,688 A 7/1932 Hannaford  
1,897,672 A 2/1933 Neumann  
1,974,674 A 9/1934 Halladay et al.  
2,054,355 A 9/1936 Anderson, Jr.  
2,094,054 A 9/1937 Bixby  
2,124,409 A 7/1938 Andrews  
2,201,462 A 5/1940 Wells et al.  
2,253,008 A 8/1941 Anderson, Jr.

**DESCRIPTION**

FIG. 1 is a perspective view of the new design;  
FIG. 2 is a side view thereof;  
FIG. 3 is a top view thereof; and,  
FIG. 4 is a bottom view thereof.  
The broken lines shown in the drawings are for illustrative  
purposes only and form no part of the claimed design.

**1 Claim, 3 Drawing Sheets**



(56)

References Cited

U.S. PATENT DOCUMENTS

2,559,552 A	7/1951	Welshenbach	D348,390 S	7/1994	Van Ness	
2,561,979 A	7/1951	George	5,333,777 A	8/1994	Roth	
2,564,948 A	8/1951	Beck, Jr. et al.	5,429,295 A	7/1995	Levy	
2,597,847 A	5/1952	Reeser	D361,892 S	9/1995	Quaintance	
2,604,255 A	7/1952	Welshenbach	5,494,161 A	2/1996	Herbst	
2,629,499 A	2/1953	Welshenbach	5,503,324 A	4/1996	Bacchetti et al.	
2,634,038 A	4/1953	George et al.	D372,673 S	8/1996	Turner	
2,645,353 A	7/1953	Anderson, Jr.	5,579,917 A	12/1996	Lofgren et al.	
2,654,527 A	10/1953	Geckler et al.	D391,079 S	2/1998	Conti et al.	
2,698,124 A	12/1954	Hines	D394,950 S	6/1998	Kite	
2,788,933 A	4/1957	Kessler	5,779,129 A	7/1998	Herbst et al.	
2,925,210 A	2/1960	Fallert	5,794,780 A	8/1998	Parrella et al.	
2,981,455 A	4/1961	Cope	D398,228 S	9/1998	Herbst et al.	
3,002,650 A	10/1961	Lovell	D398,230 S	9/1998	Herbst et al.	
3,005,717 A	10/1961	Pilibos	5,887,782 A	3/1999	Mueller	
3,049,279 A	8/1962	Mairs et al.	5,890,650 A	4/1999	Penson	
3,107,041 A	10/1963	Wagner, Jr.	5,908,152 A	6/1999	Tullis	
3,114,493 A	12/1963	Dunkin	D419,302 S *	1/2000	Hardy et al. ....	D3/306
3,118,588 A	1/1964	Noble	D421,183 S	2/2000	Koskinen	
3,138,283 A	6/1964	Peebles	6,036,042 A	3/2000	Pietruch et al.	
3,175,750 A	3/1965	Bump	D422,499 S	4/2000	Herbst et al.	
3,186,586 A	6/1965	Box	D423,587 S	4/2000	Conley et al.	
3,195,798 A	7/1965	Wilson	D424,117 S	5/2000	Steinbeck et al.	
3,282,462 A	11/1966	Box	D425,128 S	5/2000	Conley et al.	
3,301,386 A	1/1967	Carter	D425,562 S	5/2000	Conley et al.	
3,314,532 A	4/1967	Henry	6,059,180 A	5/2000	Collins	
3,366,496 A	1/1968	Bomar et al.	6,123,254 A	9/2000	Dupuis	
3,379,341 A	4/1968	Miles	6,135,347 A	10/2000	Mueller	
3,438,562 A	4/1969	Connor et al.	D434,223 S	11/2000	Dombrowski	
3,622,036 A	11/1971	Bongaerts	6,149,052 A	11/2000	Mueller	
3,664,494 A	5/1972	Mergens	D442,780 S	5/2001	Hiernard	
3,667,666 A	6/1972	Pryor	6,237,840 B1	5/2001	Grabowski et al.	
3,670,949 A	6/1972	Galanes	6,290,124 B2	9/2001	Andrews, Sr. et al.	
3,684,159 A	8/1972	Wolfe	D448,567 S	10/2001	Buss	
3,692,231 A	9/1972	Neitzke et al.	D448,568 S	10/2001	Sadr	
3,698,625 A	10/1972	Graser	D451,675 S *	12/2001	Hardy et al. ....	D3/306
3,713,579 A	1/1973	Chaffers	D453,275 S	2/2002	Stravitz	
3,724,920 A	4/1973	Beck	6,352,157 B1	3/2002	Srinivasan	
3,797,731 A	3/1974	Weldon	D461,120 S	8/2002	Ostro	
3,831,834 A	8/1974	Elward	6,439,452 B1	8/2002	Tsao	
3,844,473 A	10/1974	Whelan	6,527,167 B1	3/2003	Sheffer	
3,860,113 A	1/1975	Helms	D477,217 S	7/2003	Riedi	
3,862,687 A	1/1975	Pirman	D480,273 S	10/2003	Cordwell	
3,952,940 A	4/1976	Malcolm	6,705,515 B2	3/2004	Dowd	
D242,021 S	10/1976	Shanklin	D494,759 S	8/2004	Louie et al.	
4,030,600 A	6/1977	Heaps	D495,490 S	9/2004	Garrett et al.	
4,101,052 A	7/1978	Dove	6,889,893 B2	5/2005	Kent	
4,127,228 A	11/1978	Hall	D507,404 S	7/2005	Moon et al.	
4,142,665 A	3/1979	Jewell et al.	D518,526 S	4/2006	Benn	
4,172,522 A	10/1979	Muller et al.	D518,708 S	4/2006	Ohayon	
4,199,832 A	4/1980	Glasscock et al.	D526,893 S	8/2006	Nixon	
4,230,261 A	10/1980	Austin	D527,424 S	8/2006	Long	
4,265,391 A	5/1981	Zornes et al.	D539,036 S	3/2007	Potts et al.	
4,285,150 A	8/1981	Richardson et al.	D542,033 S	5/2007	Kopenhaver et al.	
4,291,830 A	9/1981	Sorensen	7,210,614 B2	5/2007	Mazurek	
4,325,493 A	4/1982	Paige	D548,072 S	8/2007	Nixon	
4,339,069 A	7/1982	Poteet	D551,860 S *	10/2007	Northrop .....	D3/288
4,380,290 A	4/1983	Leubke	7,331,451 B2	2/2008	Focke et al.	
2,822,973 A	2/1985	Armstrong et al.	D569,105 S	5/2008	Van Hoorn	
4,504,497 A	3/1985	Kurth et al.	7,387,350 B2	6/2008	Killinger et al.	
4,588,077 A	5/1986	Champlin et al.	7,410,094 B2	8/2008	Bos	
4,617,702 A	10/1986	Diederich, Jr.	7,438,198 B2	10/2008	Pickles	
4,655,366 A	4/1987	Sykes	D581,782 S	12/2008	Kisch	
4,768,704 A	9/1988	Beckway et al.	7,611,020 B2	11/2009	Prest	
4,817,861 A	4/1989	Henrikson	7,654,408 B2	2/2010	Bazany	
4,927,074 A	5/1990	LaRue et al.	D615,775 S	5/2010	Fairbanks	
4,948,033 A	8/1990	Halsell, II et al.	7,726,552 B2	6/2010	Chadima	
4,961,497 A	10/1990	Sherer et al.	D627,562 S	11/2010	Osiecki et al.	
D312,531 S	12/1990	Sherer et al.	D629,163 S	12/2010	Sullivan	
D315,098 S	3/1991	Hutcheson	D633,296 S	3/2011	Potts et al.	
5,011,071 A	4/1991	Lopez	8,079,474 B1	12/2011	Flaming	
5,042,657 A	8/1991	Dunn	D657,562 S	4/2012	McNamara	
D326,341 S	5/1992	Frauhiger	D658,407 S	5/2012	Pung et al.	
5,111,957 A	5/1992	Hollander et al.	D661,096 S *	6/2012	Dretzka .....	D3/310
5,295,632 A	3/1994	Zink et al.	8,251,276 B2	8/2012	McLeod	
			D666,830 S *	9/2012	Glenn .....	D3/312
			D671,321 S *	11/2012	Scott .....	D3/304
			D671,322 S	11/2012	Scott	
			D671,323 S	11/2012	Scott	



# US D690,105 S

Page 3

D673,368	S	1/2013	Scott
D675,443	S	2/2013	Scott
2001/0052477	A1	12/2001	McNeill
2005/0029260	A1	2/2005	Sheng-Bin
2005/0241971	A1	11/2005	Zou et al.
2005/0284906	A1	12/2005	Potts et al.
2006/0022026	A1	2/2006	Yandian et al.
2006/0243784	A1	11/2006	Glaser et al.
2007/0051787	A1	3/2007	Schille et al.
2008/0054059	A1	3/2008	Chadima
2009/0282843	A1	11/2009	Brand
2010/0314268	A1	12/2010	Goodman

## OTHER PUBLICATIONS

Acrylic Magazine Holder (m Shape); [http://www.alibaba.com/product-gs/274660307/Acrylic\\_magazine\\_holder\\_M\\_shape\\_.html](http://www.alibaba.com/product-gs/274660307/Acrylic_magazine_holder_M_shape_.html); Copyright © 1999-2012 Alibaba.com Hong Kong Limited and licensors; printed Oct. 24, 2012; p. 1-2.

Zigzag Acrylic Literature [http://www.alibaba.com/product-gs/294904097/zigzag\\_acrylic\\_literature\\_magazine\\_holder\\_acrylic.html](http://www.alibaba.com/product-gs/294904097/zigzag_acrylic_literature_magazine_holder_acrylic.html); Copyright © 1999-2012 Alibaba.com Hong Kong Limited and licensors; printed Oct. 24, 2012; p. 1-3.

Kantek Acrylic Mini Sorter—KTKAD50; <http://www.discountofficeitems.com/office-supplies/desk-organizers/desk-organizers-holders/desktop-file-sorters/kantek-acrylic-mini-sorter/p14879.html>; Cart Reference # DGL1647F; Copyright © 2012 DiscountOfficeItems.com; printed Oct. 24, 2012; p. 1-3.

Lebon, Hilary (Social Media Pro/Consultant) Marketing Idea For The Day—Corrugated Plastic Totes; <http://www.mdi.org/index.php/marketing-idea-for-the-day-corrugated-plastic-totes/>; Jun. 28, 2011; Copyright © MDI; p. 1-3.

PCT Search Report and Written Opinion for Corresponding PCT Application No. PCT/US2012/036980; mailed Dec. 3, 2012; pp. 1-9.

PCT Search Report and Written Opinion for Corresponding PCT Application No. PCT/US2012/037402; mailed Feb. 14, 2013; pp. 1-15.

Photo 1 of United States Postal Service bin; published prior to Apr. 28, 2012.

Photo 2 of United States Postal Service bins; published prior to Apr. 28, 2012.

Screen Shot of No. 1555 tote and 1560 tote; published prior to Apr. 28, 2012.

U.S. Appl. No. 13/441,434, filed Apr. 6, 2012, William M. Scott, Container With Grips.

U.S. Appl. No. 13/448,349, filed Apr. 16, 2012, William M. Scott, Strengthening Insert for a Corrugated Box.

U.S. Appl. No. 29/391,489, filed May 9, 2011, William M. Scott, Novel Box.

U.S. Appl. No. 29/391,490, filed May 10, 2011, William M. Scott, Novel Box & Private Label.

U.S. Appl. No. 29/444,761, filed Feb. 4, 2013, William M. Scott, Box.

U.S. Appl. No. 29/391,492, filed May 10, 2011, William M. Scott, Box.

U.S. Appl. No. 29/445,333, filed Feb. 11, 2013, William M. Scott, Box.

U.S. Appl. No. 29/419,400, filed Apr. 27, 2012, William M. Scott, Box With Locking Ports.

U.S. Appl. No. 29/438,590, filed Nov. 30, 2012, William M. Scott, Box.

U.S. Appl. No. 29/438,072, filed Nov. 26, 2012, William M. Scott, Carrying Tote.

U.S. Appl. No. 29/438,077, filed Nov. 26, 2012, William M. Scott, Carrying Tote.

U.S. Appl. No. 29/431,415, filed Sep. 7, 2012, William M. Scott, Box.

U.S. Appl. No. 29/431,416, filed Sep. 7, 2012, William M. Scott, Box.

U.S. Appl. No. 29/431,417, filed Sep. 7, 2012, William M. Scott, Box.

U.S. Appl. No. 13/606,059, filed Sep. 7, 2012, William M. Scott, Shipping Container With Grips and Locking Ports.

U.S. Appl. No. 29/431,504, filed Sep. 7, 2012, William M. Scott, Box.

U.S. Appl. No. 29/431,507, filed Sep. 7, 2012, William M. Scott, Box.

U.S. Appl. No. 13/673,246, filed Nov. 9, 2012, William M. Scott, Document Holding Device.

U.S. Appl. No. 29/436,876, filed Nov. 9, 2012, William M. Scott, Document Partition.

U.S. Appl. No. 29/436,882, filed Nov. 9, 2012, William M. Scott, Shaped Document Partition.

\* cited by examiner

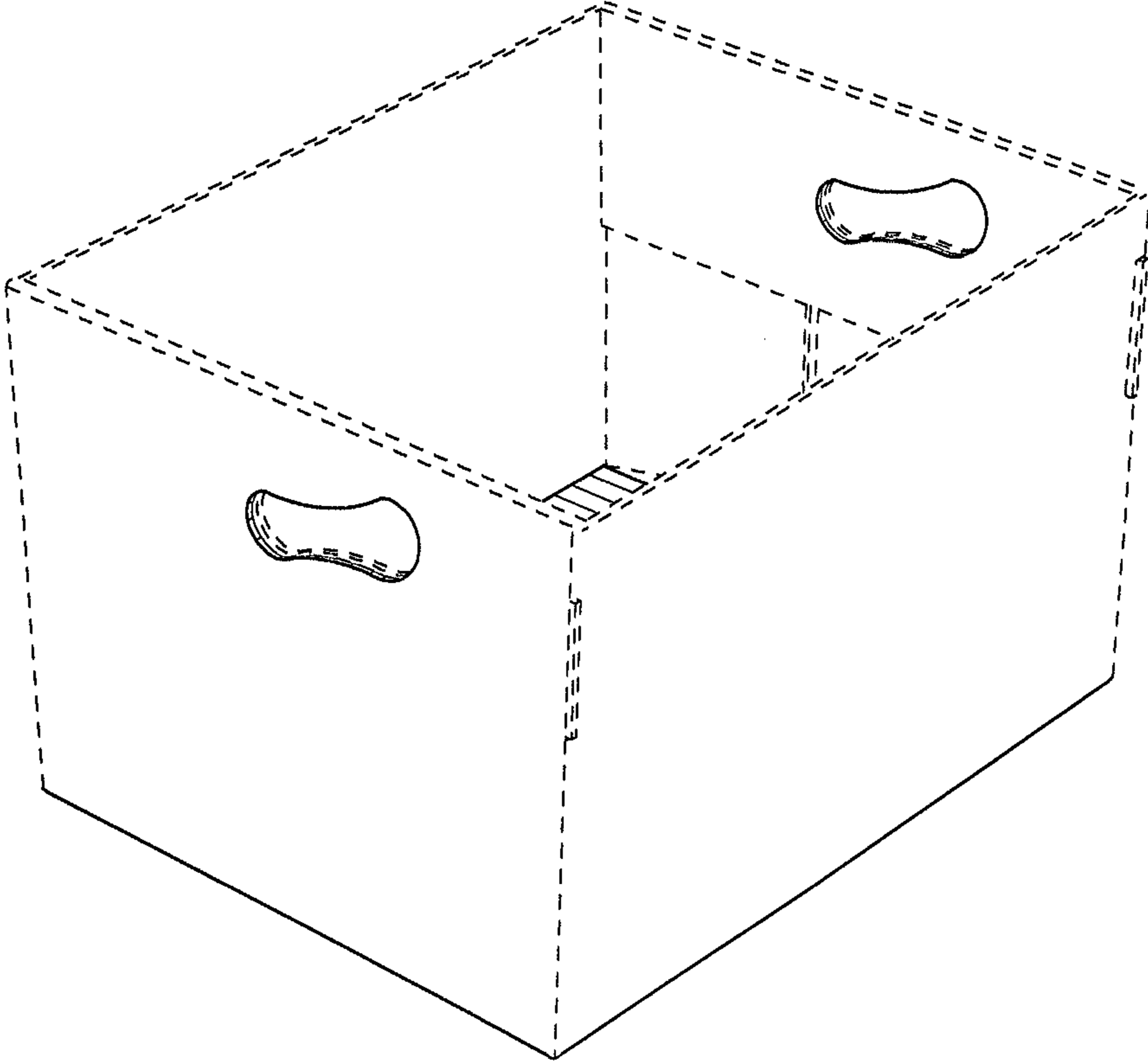


FIG. 1

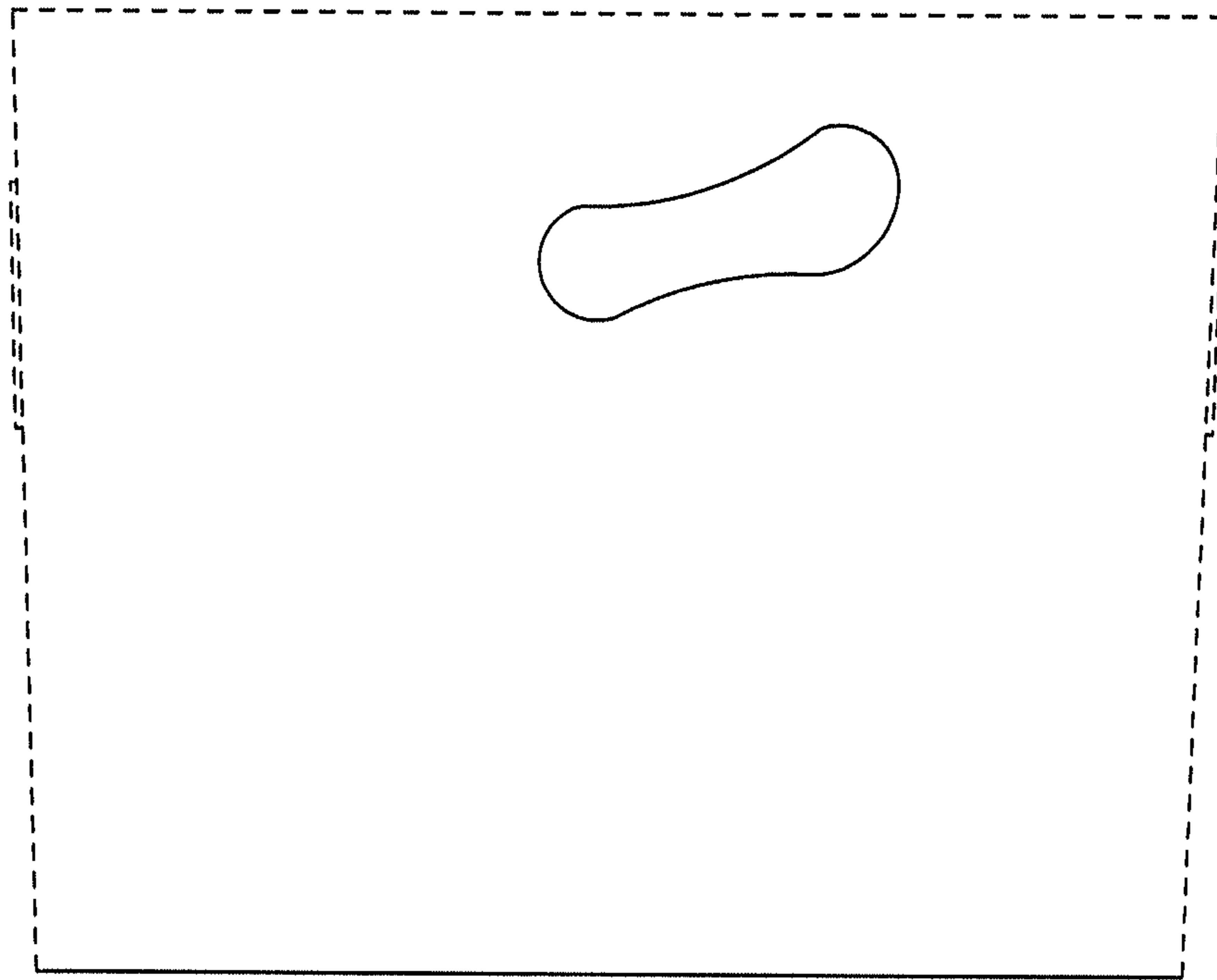


FIG. 2

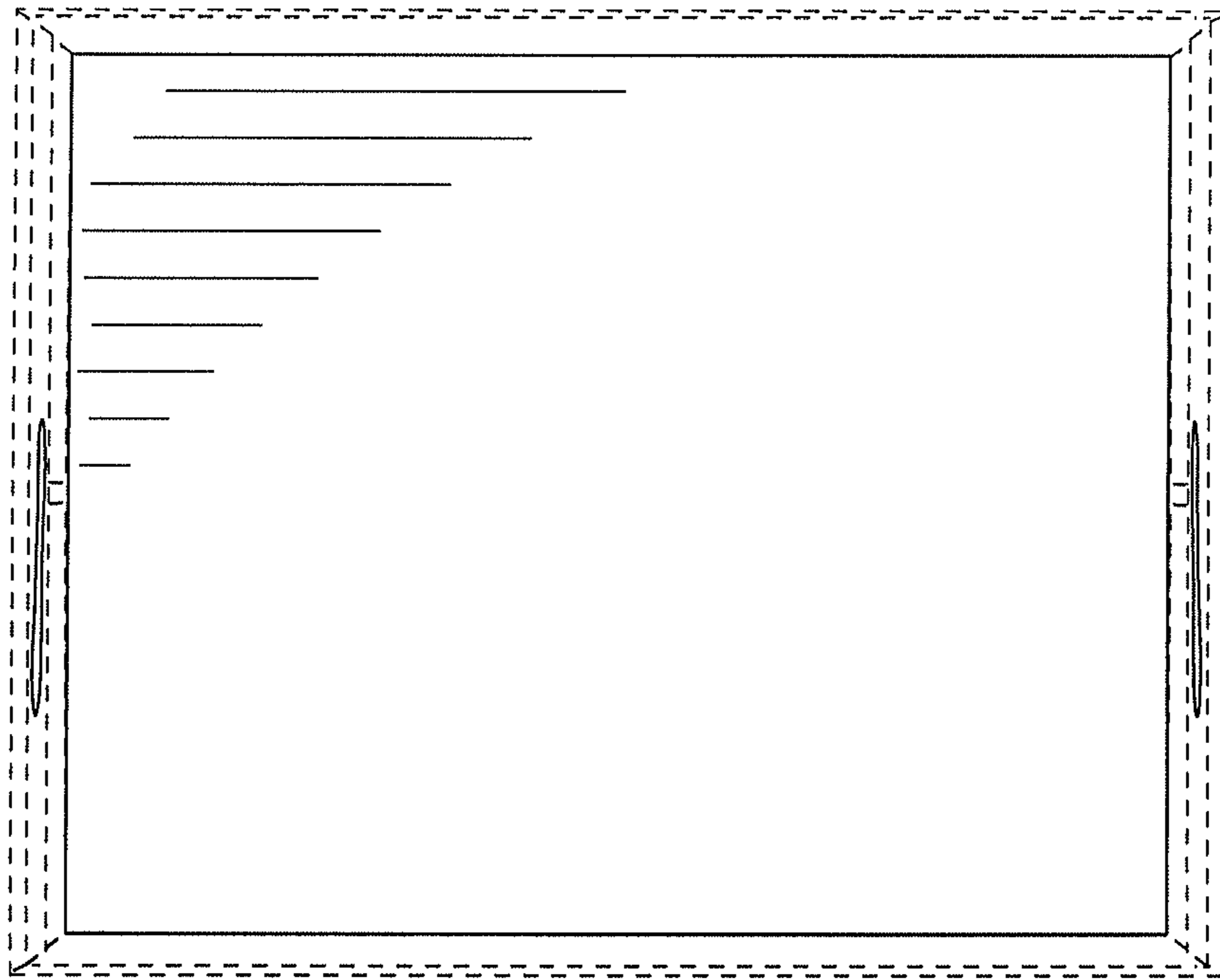


FIG. 3

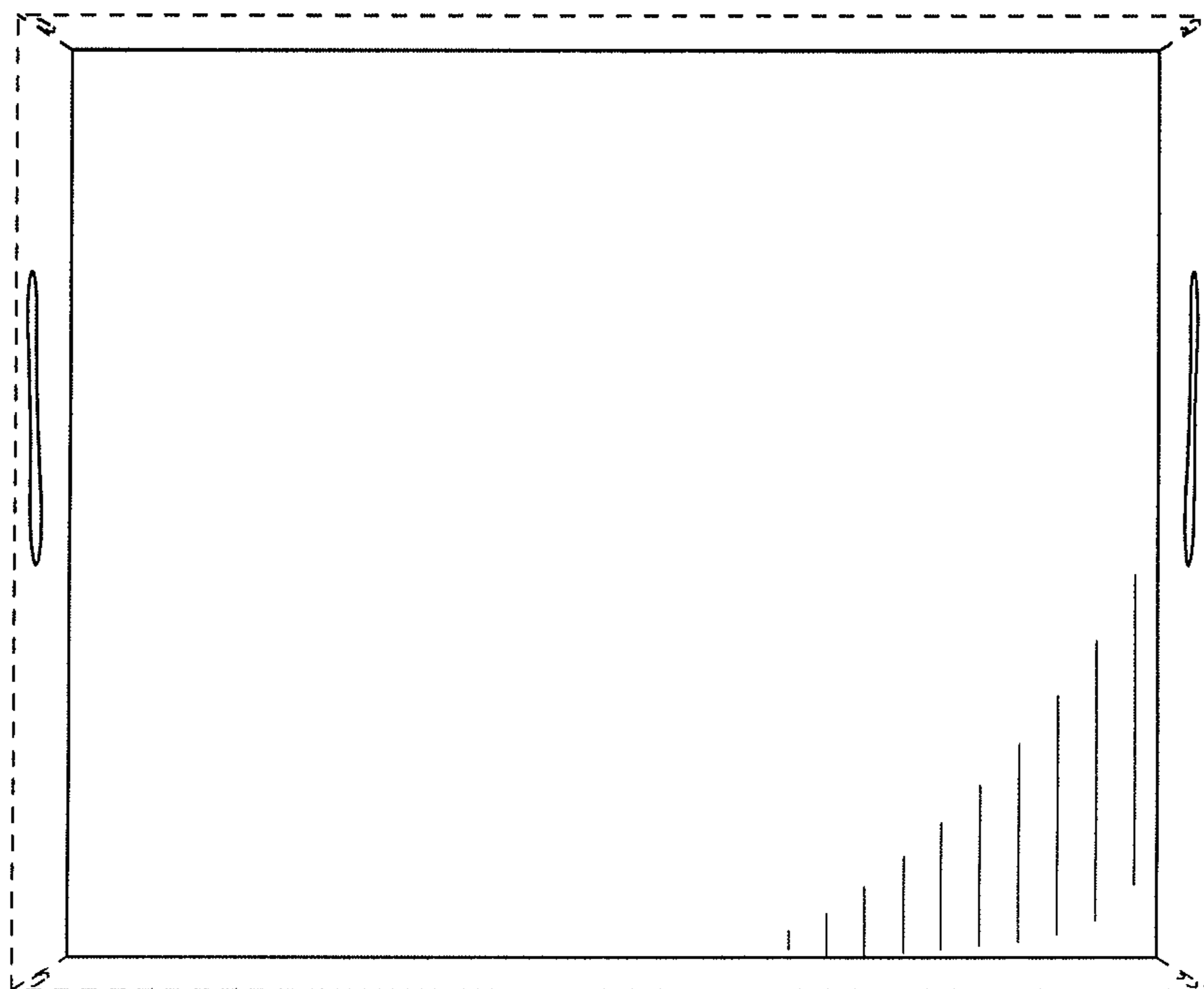


FIG. 4