



US00D690104S

(12) **United States Design Patent**
Phillips et al.

(10) **Patent No.:** **US D690,104 S**

(45) **Date of Patent:** **** Sep. 24, 2013**

(54) **ELECTRONIC DEVICE ZIPPERED SLEEVE**

(75) Inventors: **Alison Phillips**, Toronto (CA); **Caitlin Curran-Blaney**, Toronto (CA)

(73) Assignee: **BlackBerry Limited**, Waterloo, Ontario (CA)

(**) Term: **14 Years**

(21) Appl. No.: **29/414,125**

(22) Filed: **Feb. 24, 2012**

(51) **LOC (9) Cl.** **03-01**

(52) **U.S. Cl.**
USPC **D3/301**

(58) **Field of Classification Search**
USPC D3/301; 206/223, 581, 569-570
See application file for complete search history.

(56) **References Cited**

U.S. PATENT DOCUMENTS

6,168,022	B1 *	1/2001	Ward et al.	D3/301
D603,166	S *	11/2009	Becker	D3/301
D632,079	S *	2/2011	Spencer et al.	D3/301

* cited by examiner

Primary Examiner — Holly Baynham

(57) **CLAIM**

We claim the ornamental design for an electronic device zippered sleeve, as shown and described.

DESCRIPTION

FIG. 1 is a front perspective view of an electronic device zippered sleeve;

FIG. 2 is a top plan view of the electronic device zippered sleeve;

FIG. 3 is a bottom plan view thereof;

FIG. 4 is a front elevational view thereof;

FIG. 5 is a back elevational view thereof;

FIG. 6 is a right elevational view thereof;

FIG. 7 is a left elevational view thereof;

FIG. 8 is a front perspective view of the electronic device zippered sleeve in an open configuration;

FIG. 9 is a bottom plan view of the electronic device zippered sleeve in FIG. 8;

FIG. 10 is a top plan view thereof;

FIG. 11 is a right elevational view thereof;

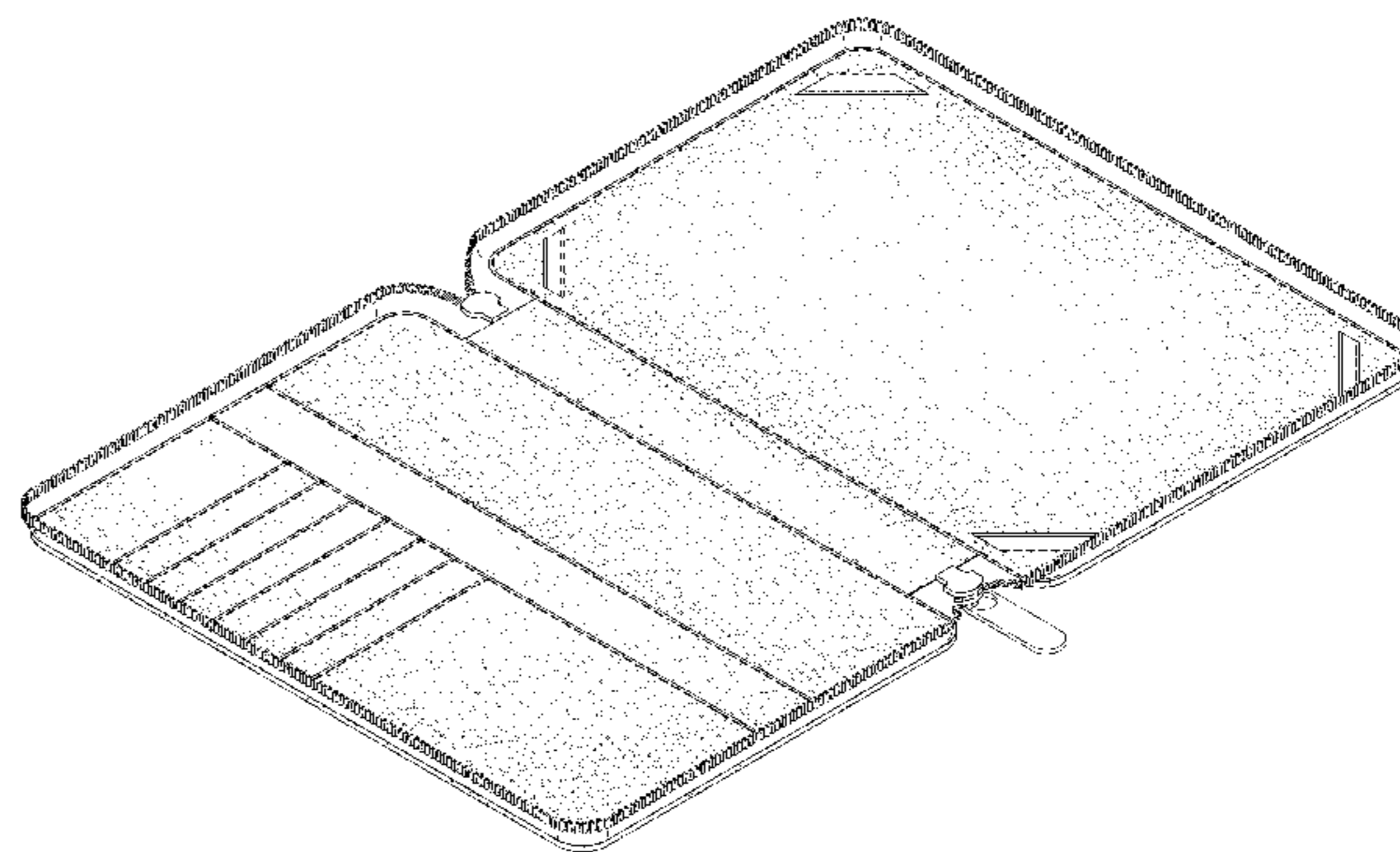
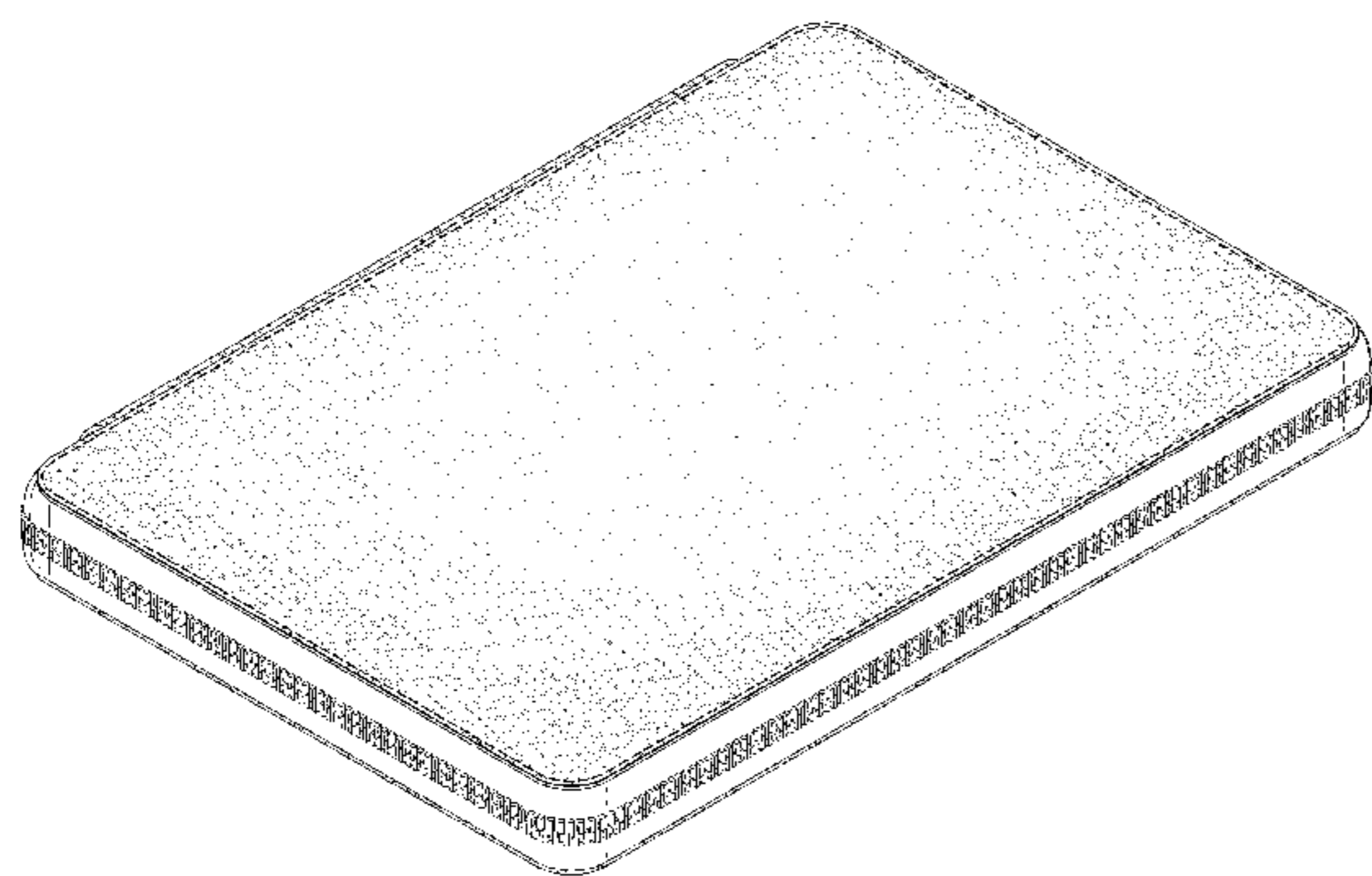
FIG. 12 is a left elevational view thereof;

FIG. 13 is a front elevational view thereof; and,

FIG. 14 is a back elevational view thereof.

The broken lines representing stitching are part of the claimed design.

1 Claim, 10 Drawing Sheets



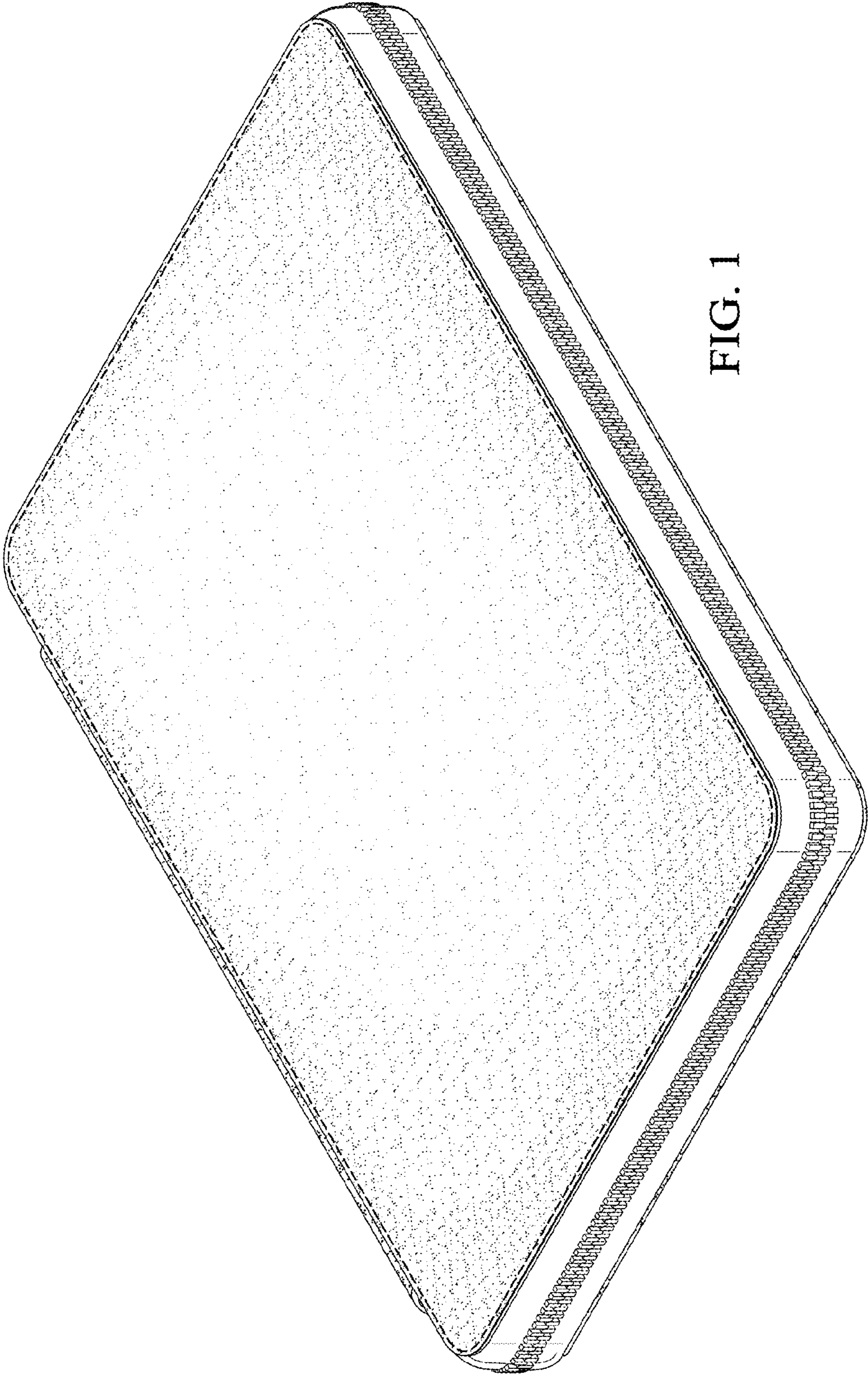


FIG. 1

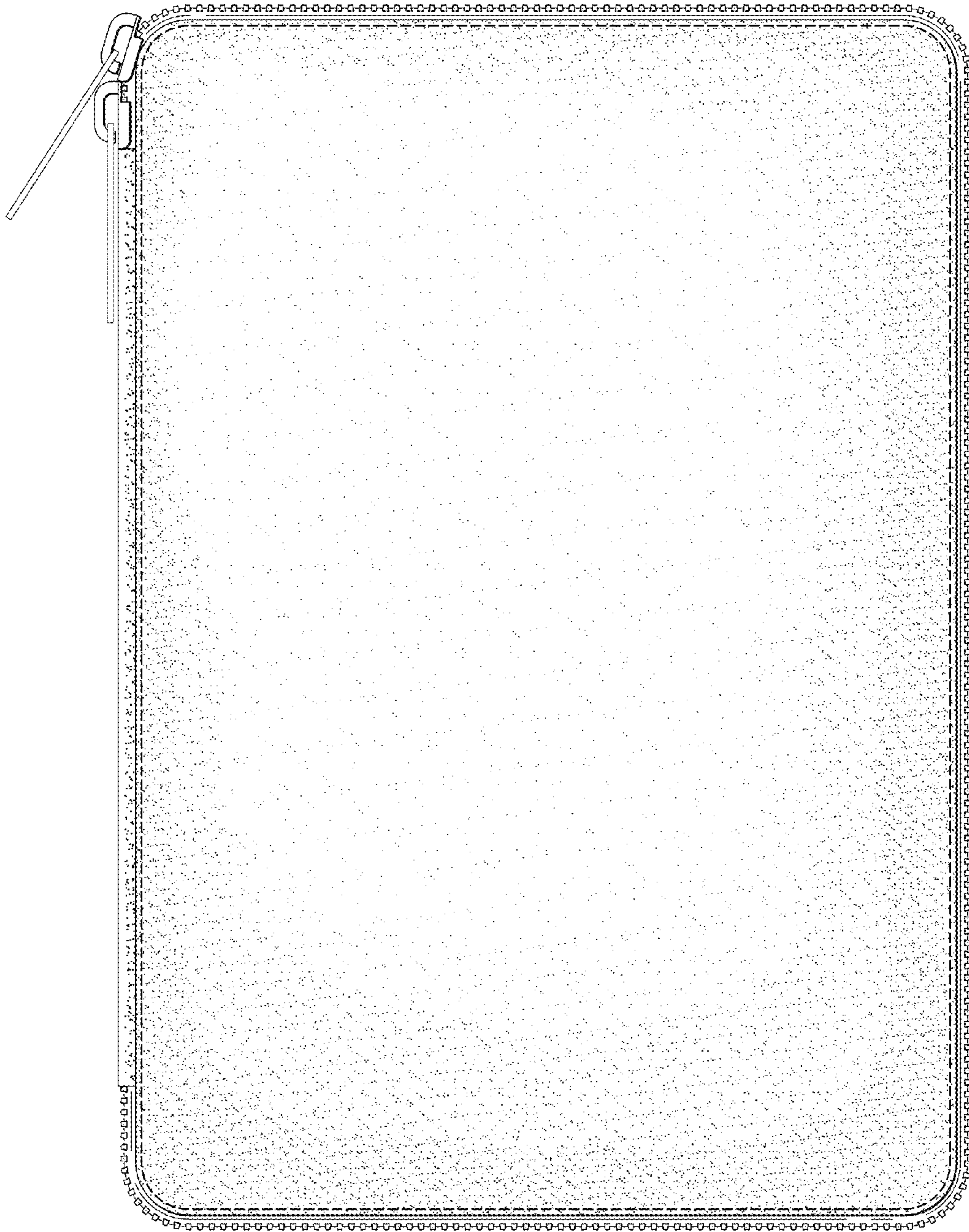


FIG. 2

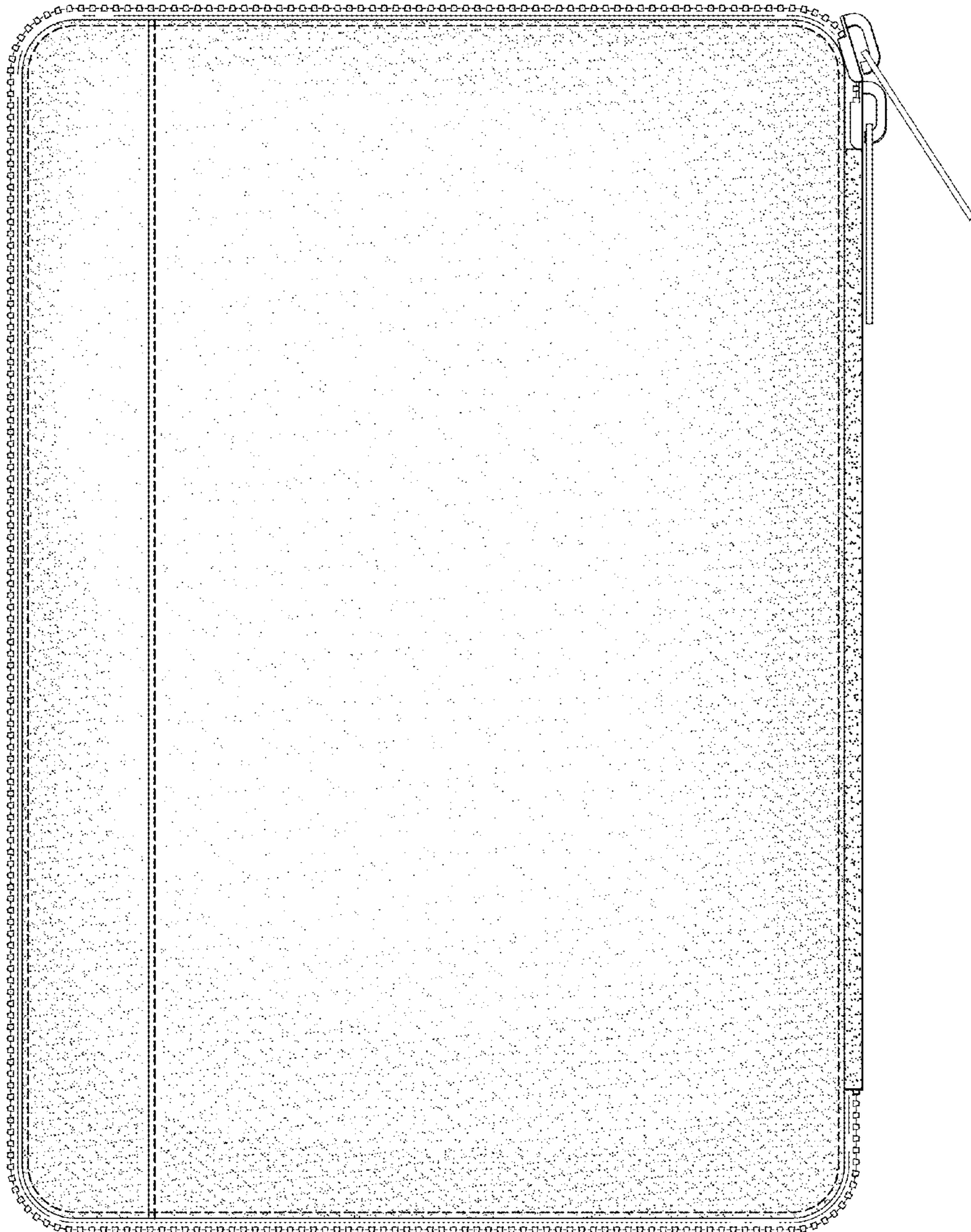


FIG. 3

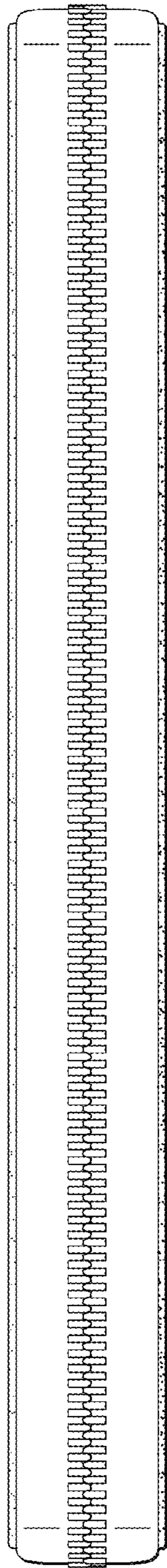


FIG. 4

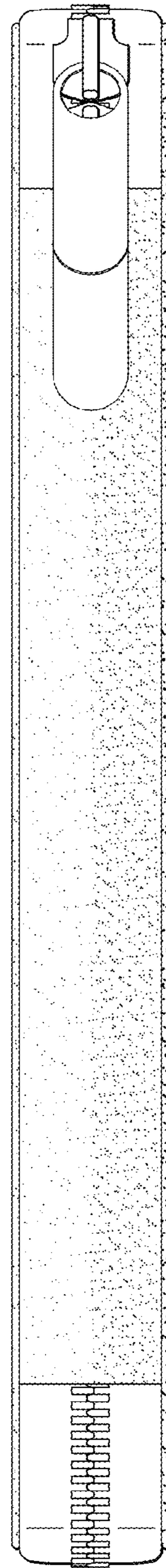


FIG. 5

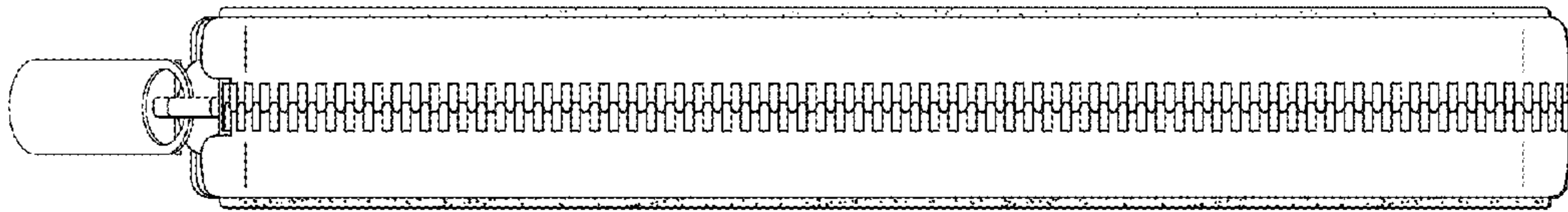


FIG. 6

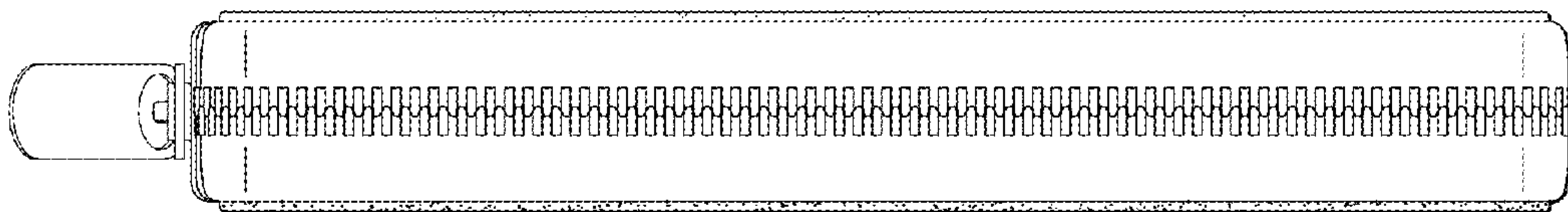


FIG. 7

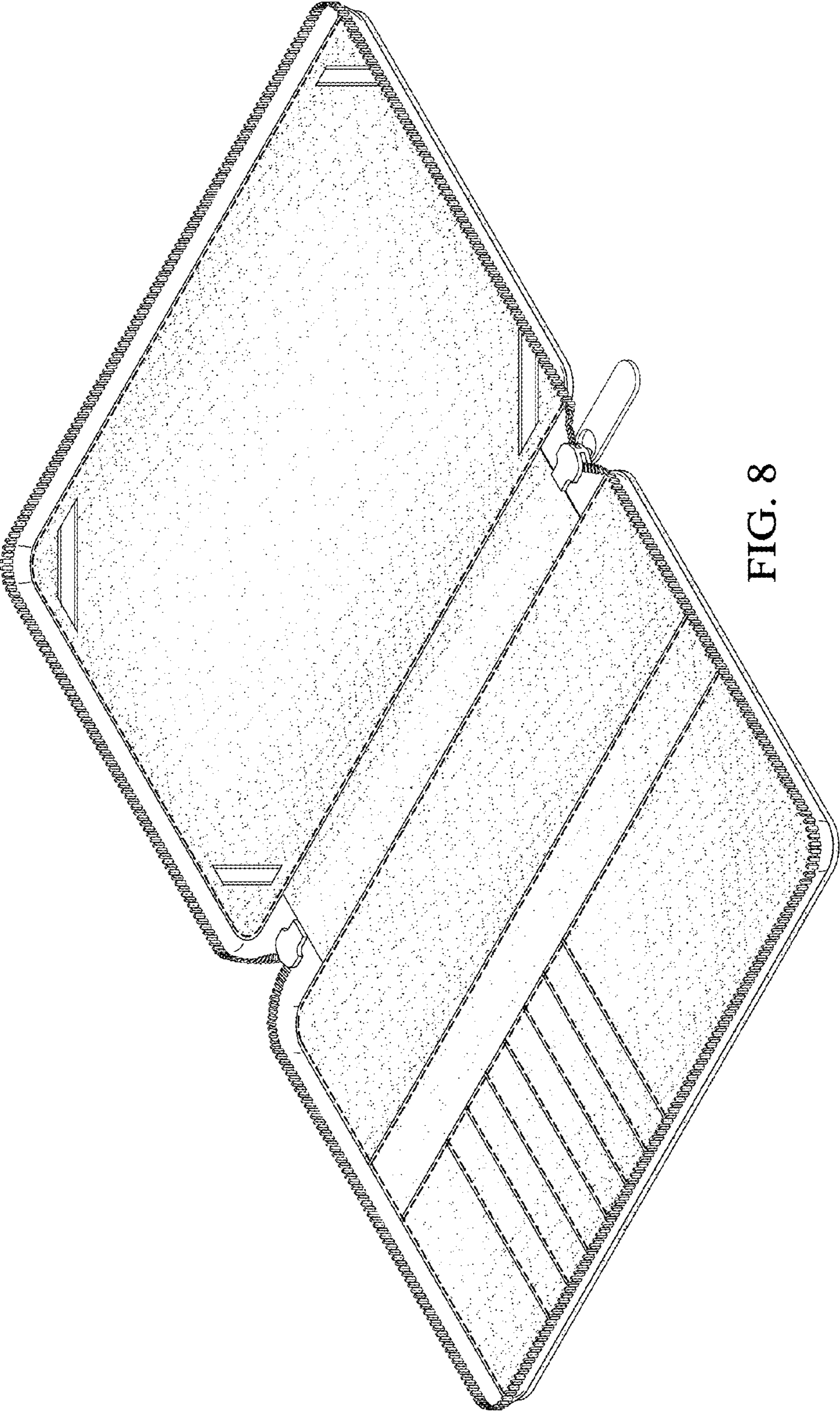


FIG. 8

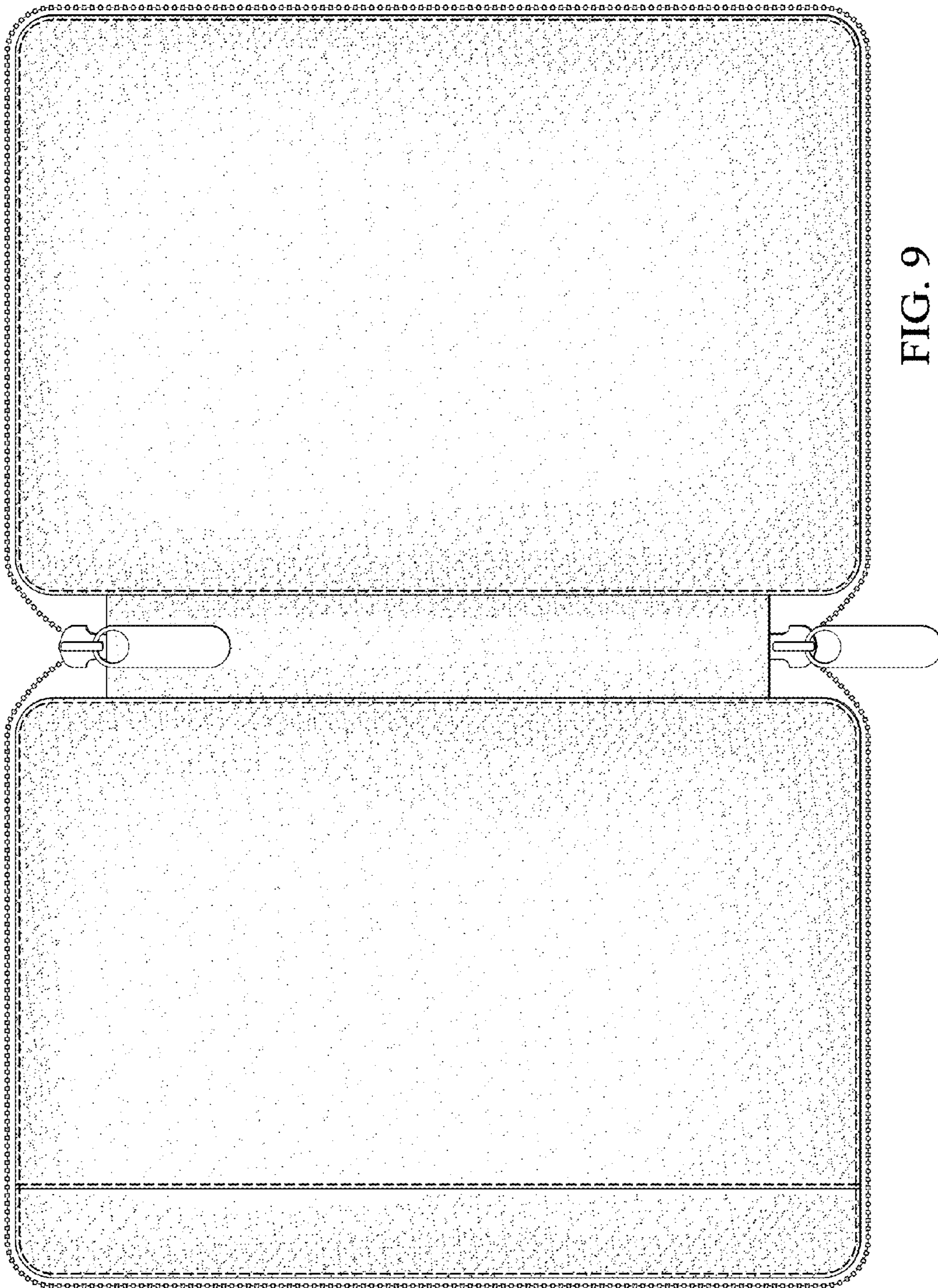


FIG. 9

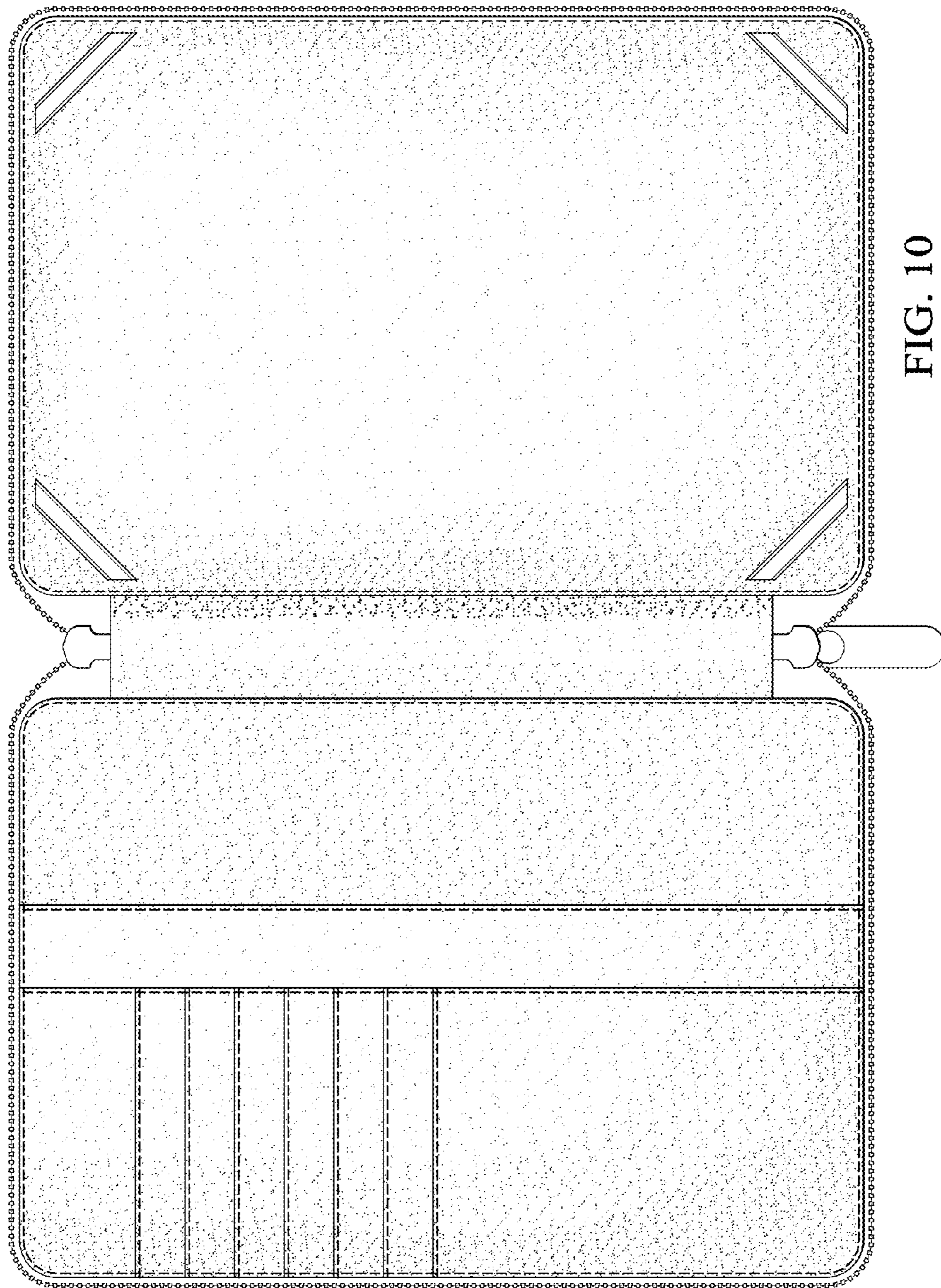


FIG. 10

FIG. 12

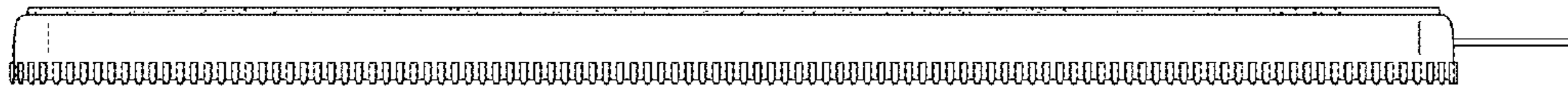


FIG. 11



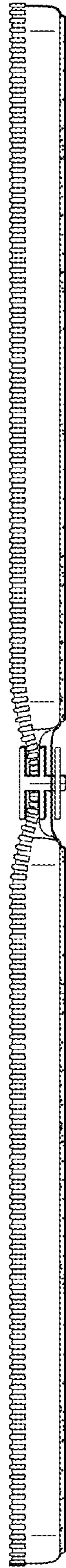


FIG. 13

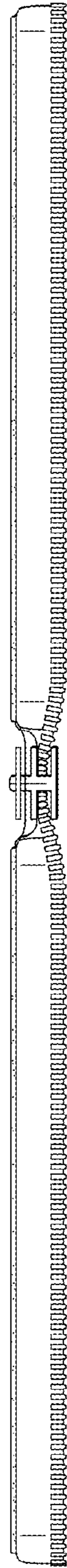


FIG. 14