



US00D690103S

(12) **United States Design Patent**  
**Jacks et al.**

(10) **Patent No.:** **US D690,103 S**  
(45) **Date of Patent:** **\*\* Sep. 24, 2013**

- (54) **RACQUET SPORTS BAG**
- (76) Inventors: **Joann Jacks**, Lake Forest, IL (US);  
**Meredith Drake**, Lake Forest, IL (US)
- (\*\*) Term: **14 Years**
- (21) Appl. No.: **29/423,989**
- (22) Filed: **Jun. 6, 2012**
- (51) **LOC (9) Cl.** ..... **03-01**
- (52) **U.S. Cl.**  
USPC ..... **D3/256**
- (58) **Field of Classification Search**  
USPC ..... D3/234, 255, 271.9, 320, 256, 262,  
D3/279, 299, 301, 303, 318, 319, 273, 289,  
D3/292, 294-296, 232, 244; D9/424, 420;  
D27/189; 206/349; 220/833; 312/902;  
190/100  
See application file for complete search history.

D320,692 S *	10/1991	Killer	.....	D3/256
5,881,875 A *	3/1999	Beurekjian	.....	206/315.9
D417,695 S *	12/1999	Riley	.....	D19/26
D422,411 S *	4/2000	Martin	.....	D3/303
D433,803 S *	11/2000	Haapala	.....	D3/246
D496,159 S *	9/2004	Foster	.....	D3/256
D501,719 S *	2/2005	Tauchen	.....	D3/256
D501,994 S *	2/2005	Tauchen	.....	D3/256
7,395,930 B2 *	7/2008	Tauchen	.....	206/579
7,878,331 B2 *	2/2011	Tauchen	.....	206/579

\* cited by examiner

*Primary Examiner* — Sandra Snapp

(74) *Attorney, Agent, or Firm* — QuickPatents; Kevin Prince

(57) **CLAIM**

We claim the ornamental design for a racquet sports bag, as shown and described.

**DESCRIPTION**

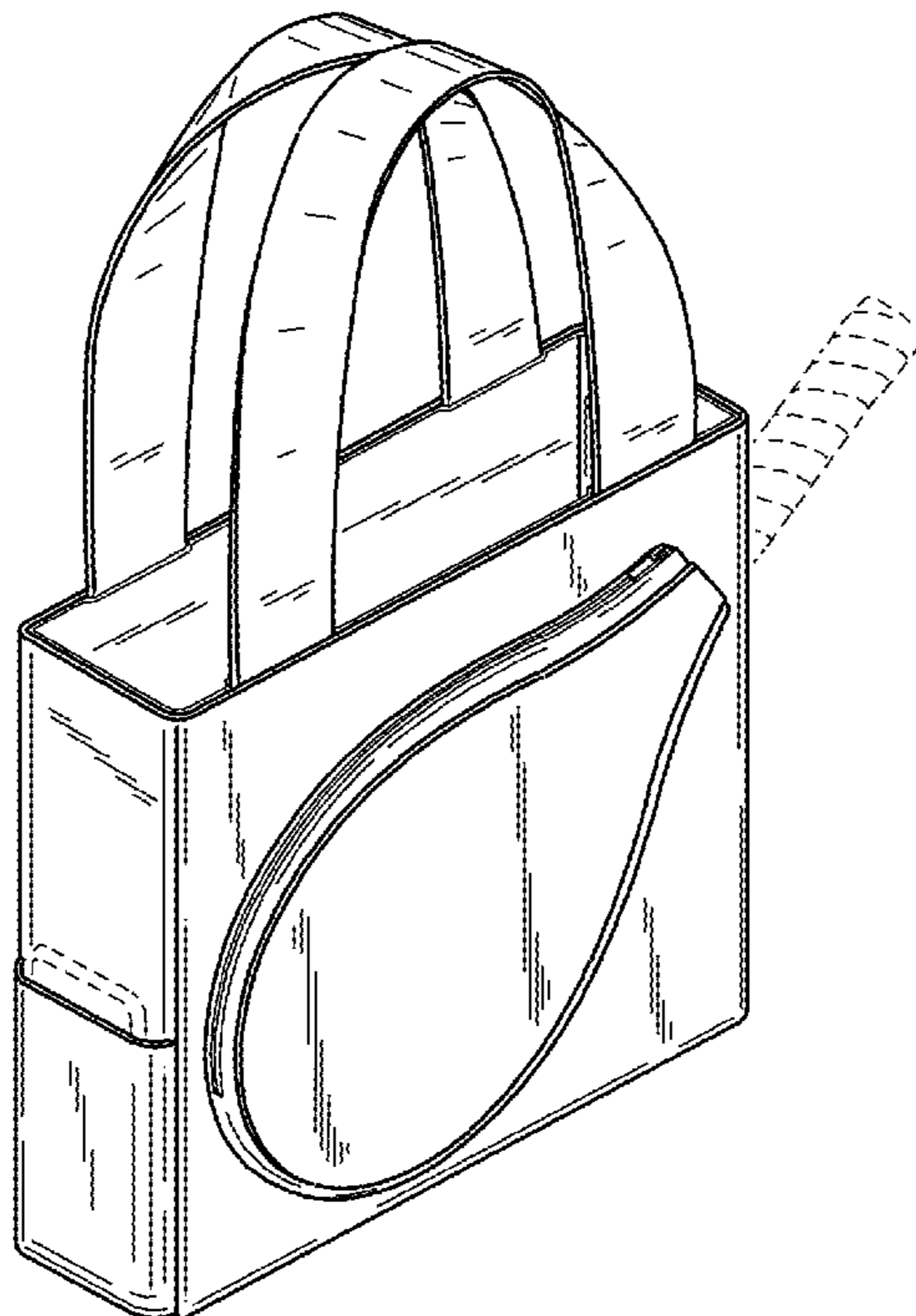
FIG. 1 is a perspective view of a racquet sports bag, showing our new design;  
 FIG. 2 is a front elevational view thereof;  
 FIG. 3 is a rear elevational view thereof;  
 FIG. 4 is a right-side elevational view thereof;  
 FIG. 5 is a left-side elevational view thereof;  
 FIG. 6 is a top plan view thereof; and,  
 FIG. 7 is a bottom plan view thereof.  
 The broken lines showing a sports racquet and cellular phone in FIG. 1 depict environmental matter and form no part of the claimed design.

**1 Claim, 3 Drawing Sheets**

(56) **References Cited**

U.S. PATENT DOCUMENTS

D223,424 S *	4/1972	Glantz	.....	D3/256
D232,270 S *	7/1974	Glantz	.....	D3/256
D232,271 S *	7/1974	Glantz	.....	D3/256
D238,010 S *	12/1975	Canton	.....	D3/256
RE30,138 E *	11/1979	Cowen, III	.....	206/315.1
D262,072 S *	12/1981	Pfeiffer	.....	D3/256
D268,712 S *	4/1983	Hoberman et al.	.....	D3/256
4,805,748 A *	2/1989	Gerch	.....	190/103



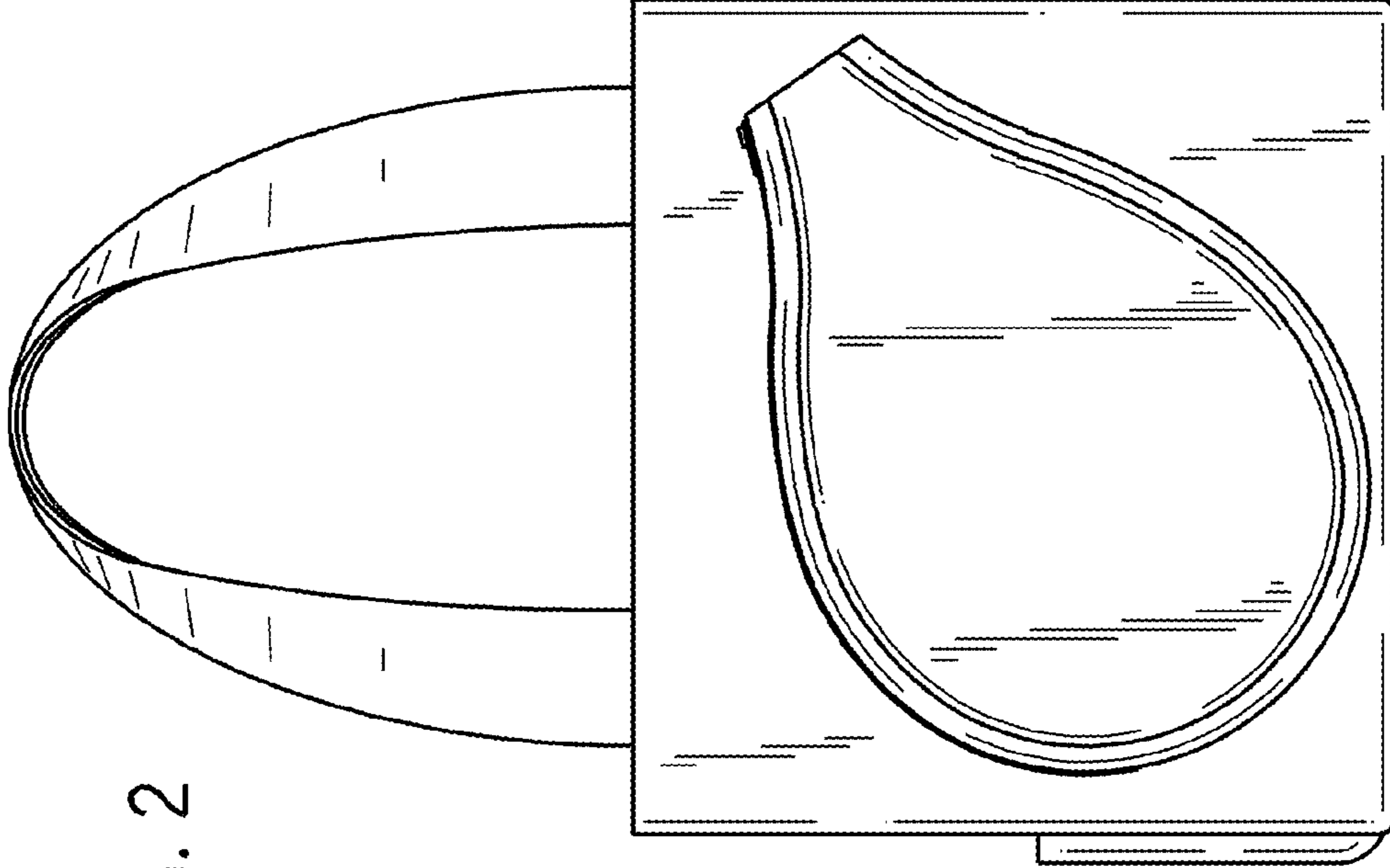


FIG. 2

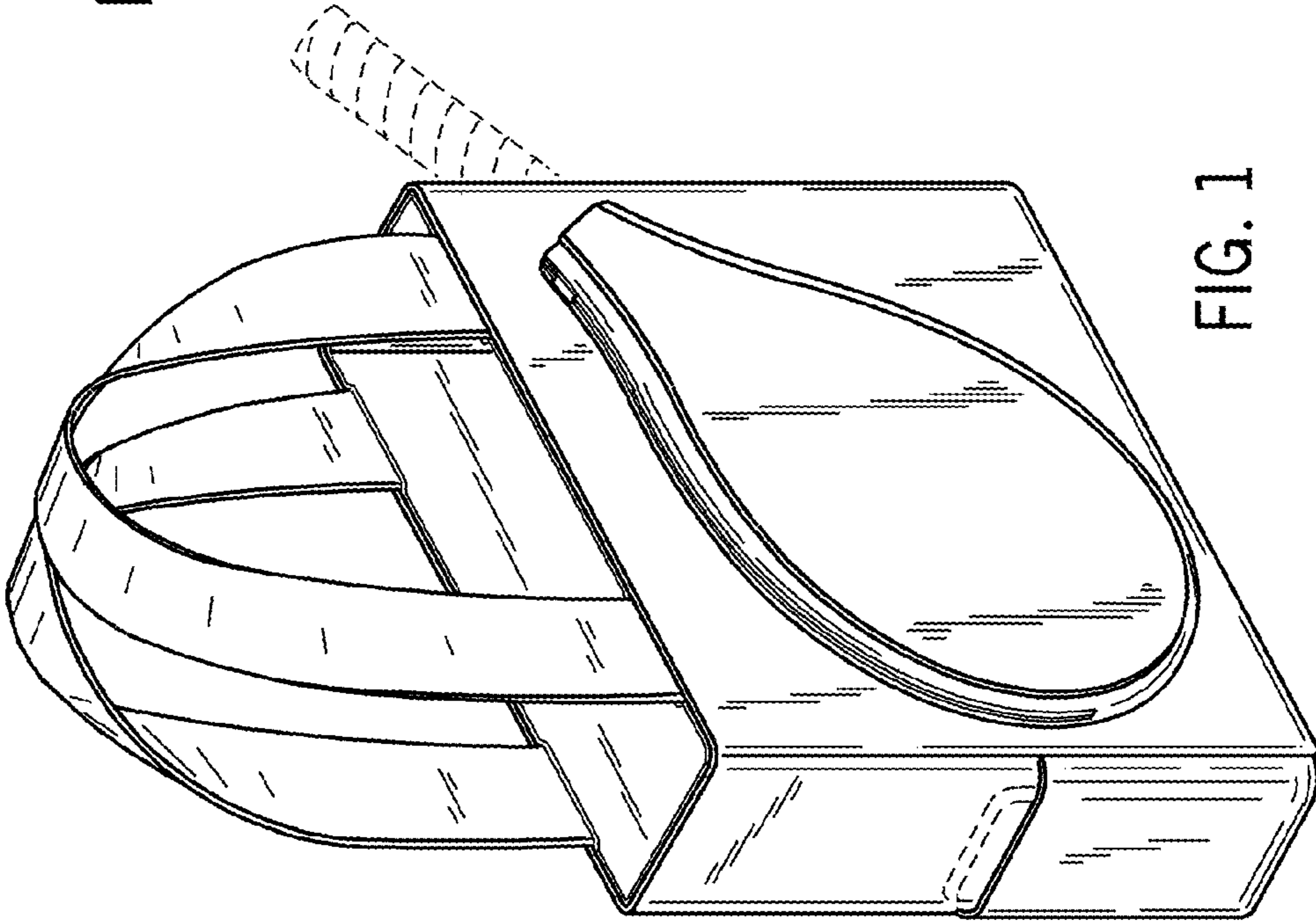


FIG. 1

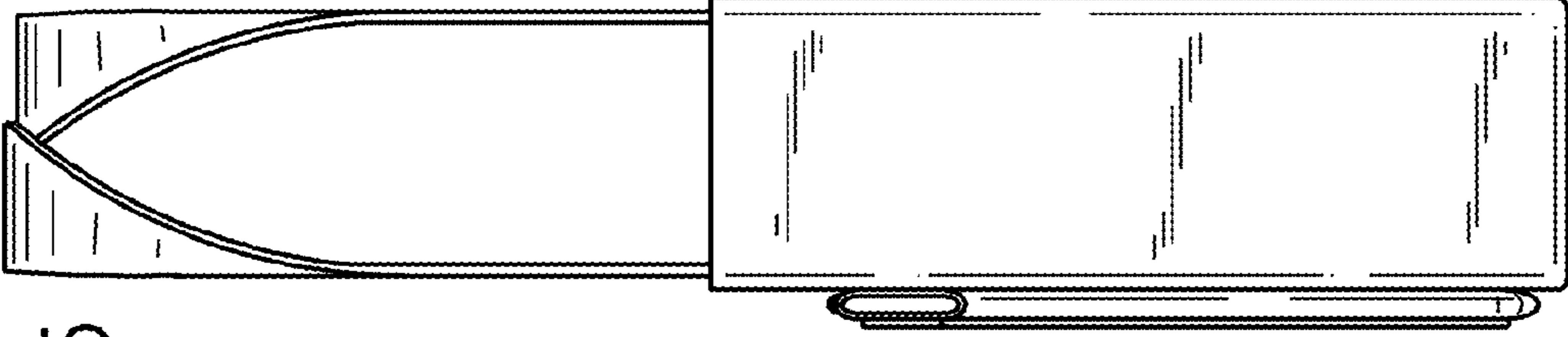


FIG. 5

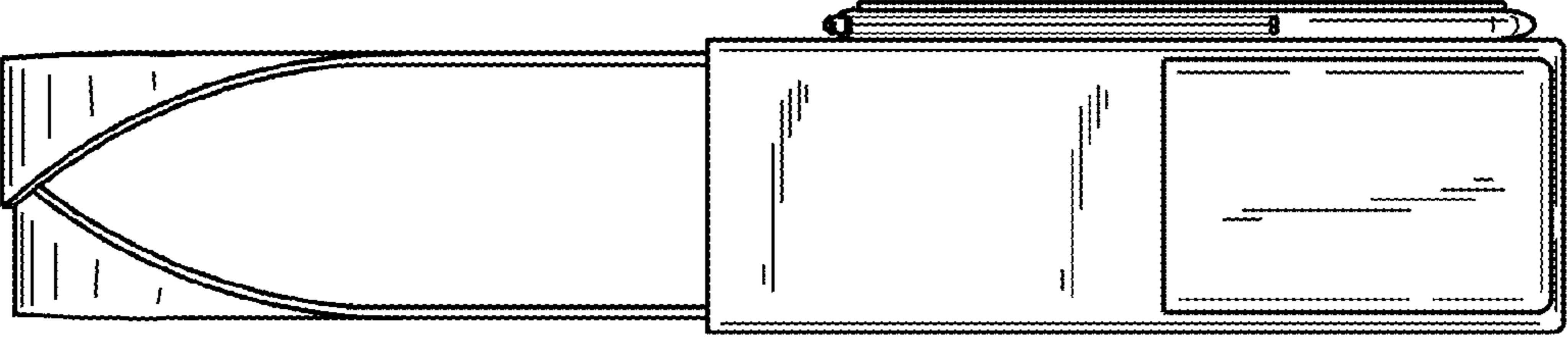


FIG. 4

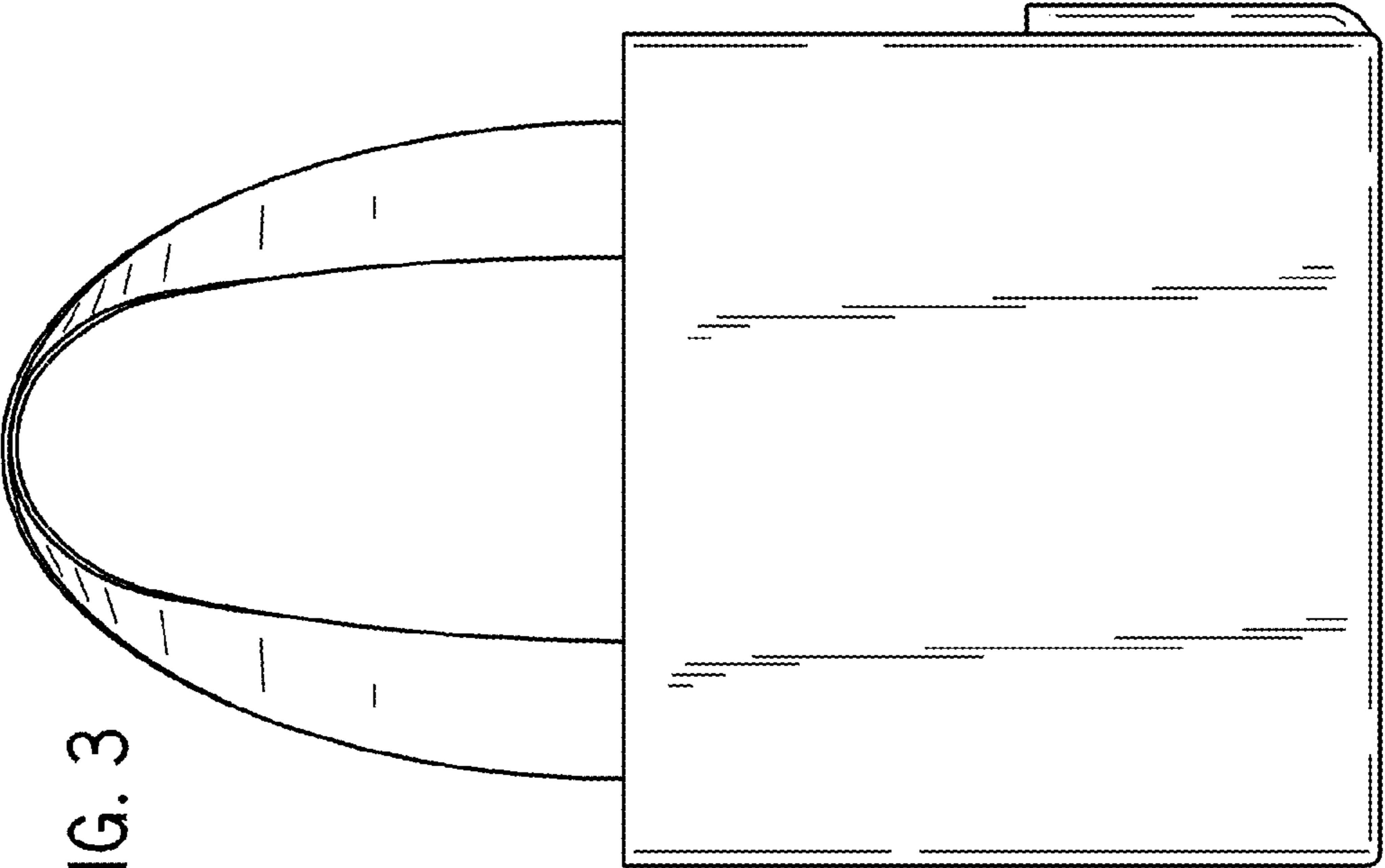


FIG. 3

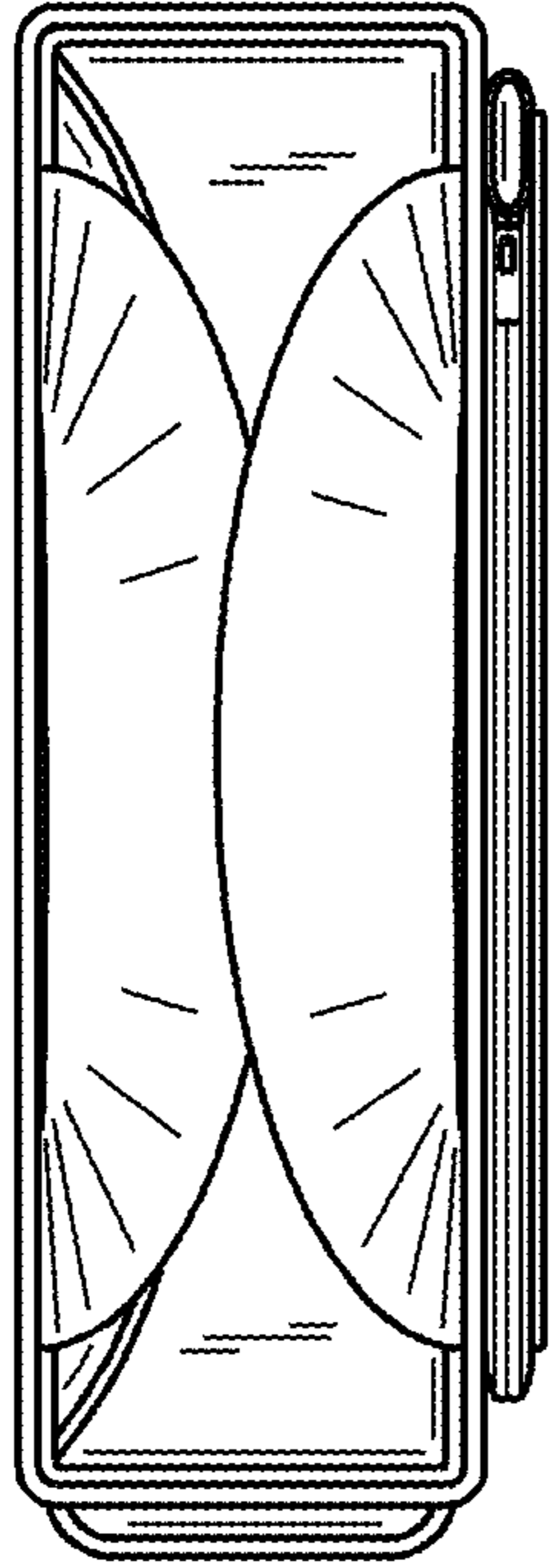


FIG. 6

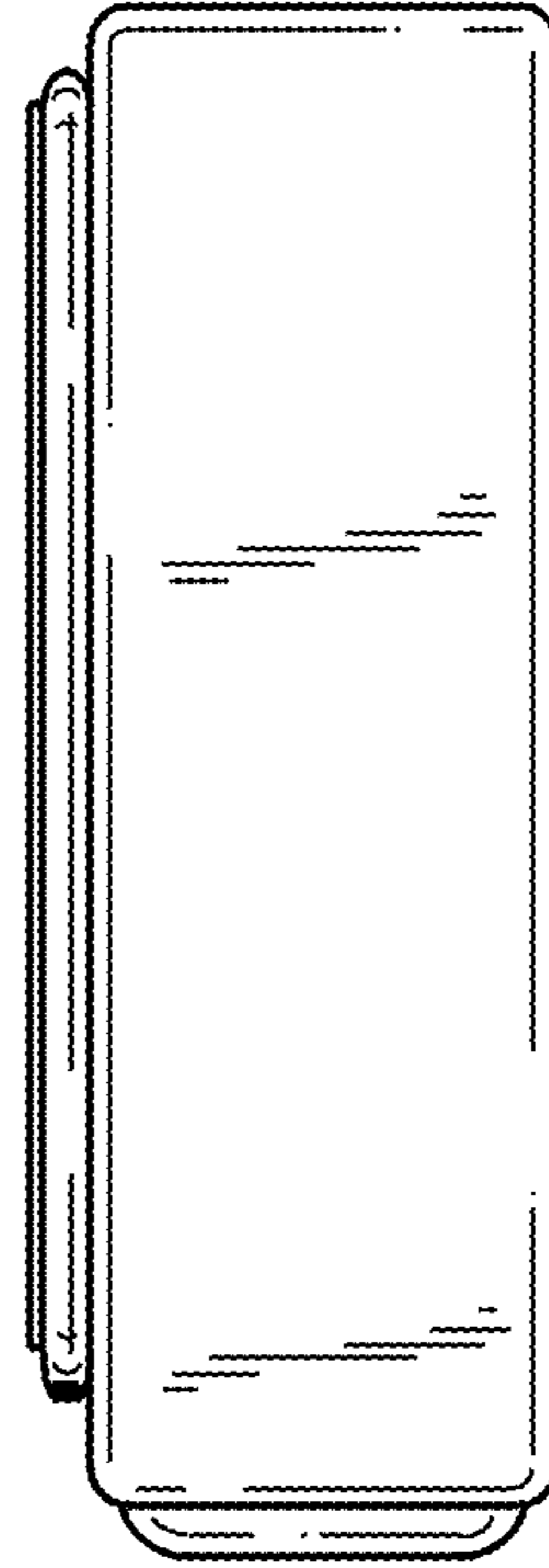


FIG. 7