



US00D690095S

(12) **United States Design Patent**  
**Garcia et al.**

(10) **Patent No.:** **US D690,095 S**

(45) **Date of Patent:** **\*\* Sep. 24, 2013**

(54) **CHILDREN'S BACKPACK**

(76) Inventors: **Luis M. Garcia**, San Francisco, CA (US); **Kalon R. Gutierrez**, San Francisco, CA (US); **Melissa Koo**, Brooklyn, NY (US)

(\*\*) Term: **14 Years**

(21) Appl. No.: **29/425,164**

(22) Filed: **Jun. 20, 2012**

(51) **LOC (9) Cl.** ..... **03-01**

(52) **U.S. Cl.**  
USPC ..... **D3/217**

(58) **Field of Classification Search**  
USPC ..... D2/823-839; D3/214-217, 221, D3/224, 254, 274, 284; 224/576-578, 153  
See application file for complete search history.

(56) **References Cited**

**U.S. PATENT DOCUMENTS**

D457,306 S *	5/2002	Szyf	.....	D3/217
D487,189 S *	3/2004	Ukitsu et al.	.....	D3/217
D500,590 S *	1/2005	Sachen	.....	D3/216
D517,800 S *	3/2006	de Baschmakoff	.....	D3/217

7,051,908 B2 *	5/2006	Mignano	.....	224/153
D554,364 S *	11/2007	Rugg	.....	D3/217
D616,196 S *	5/2010	Walsh	.....	D3/217
D641,973 S *	7/2011	Quehl	.....	D3/217
D661,085 S *	6/2012	Custer	.....	D3/217

\* cited by examiner

*Primary Examiner* — Kelley Donnelly

(74) *Attorney, Agent, or Firm* — Meyertons, Hood, Kivlin, Kowert & Goetzel, P.C.; Eric B. Meyertons

(57) **CLAIM**

The ornamental design for a children's backpack, as shown and described.

**DESCRIPTION**

FIG. 1 is a perspective view of a children's backpack. FIG. 2 is a left-side view of the children's backpack. FIG. 3 is a right-side view of the children's backpack. FIG. 4 is a top view of the children's backpack. FIG. 5 is a back view of the children's backpack; and, FIG. 6 is a front view of the children's backpack. The broken lines in the drawings representing product markings are for illustrative purposes only and form no part of the claimed design.

**1 Claim, 3 Drawing Sheets**





FIG. 1

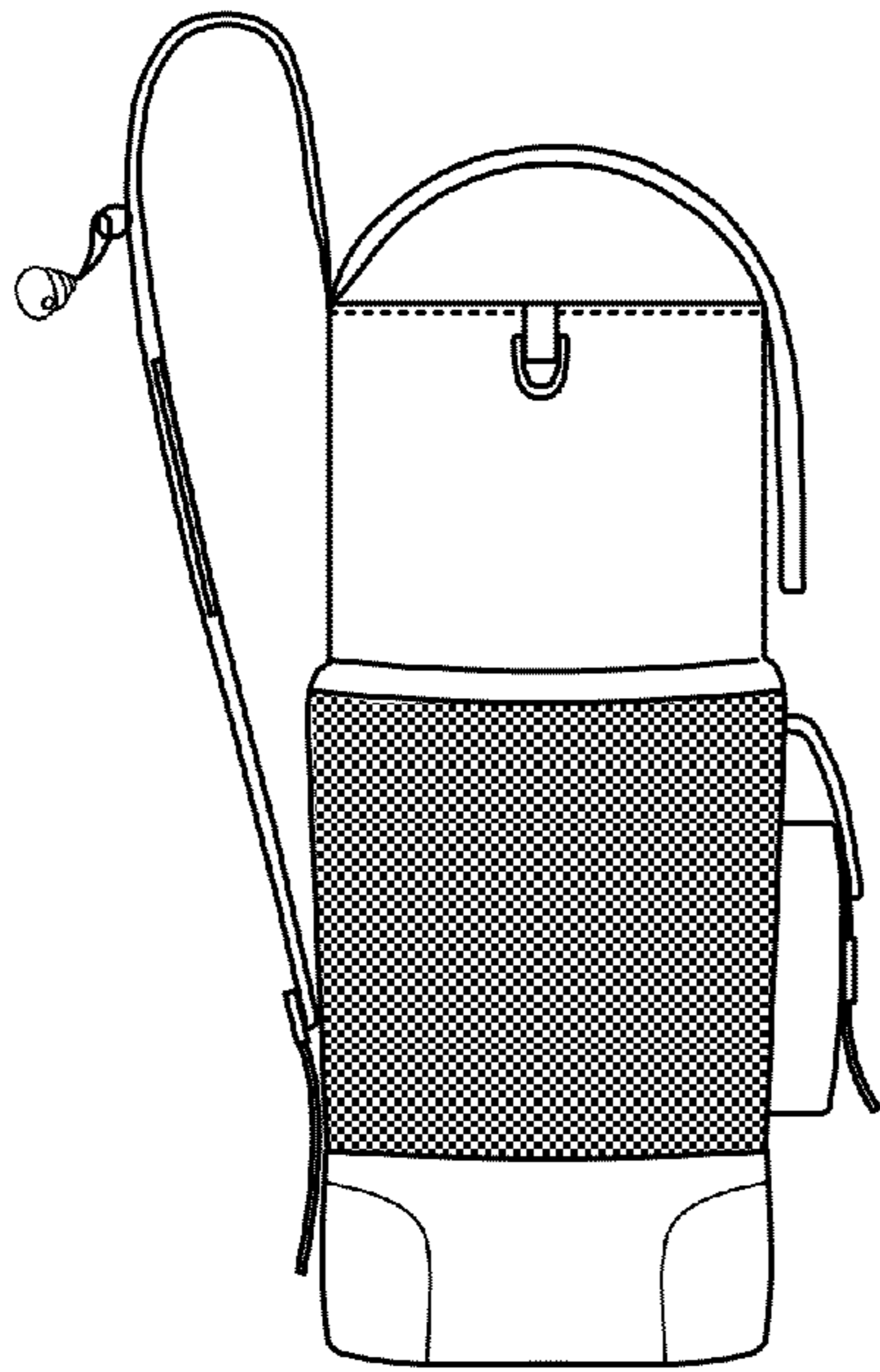


FIG. 2



FIG. 3

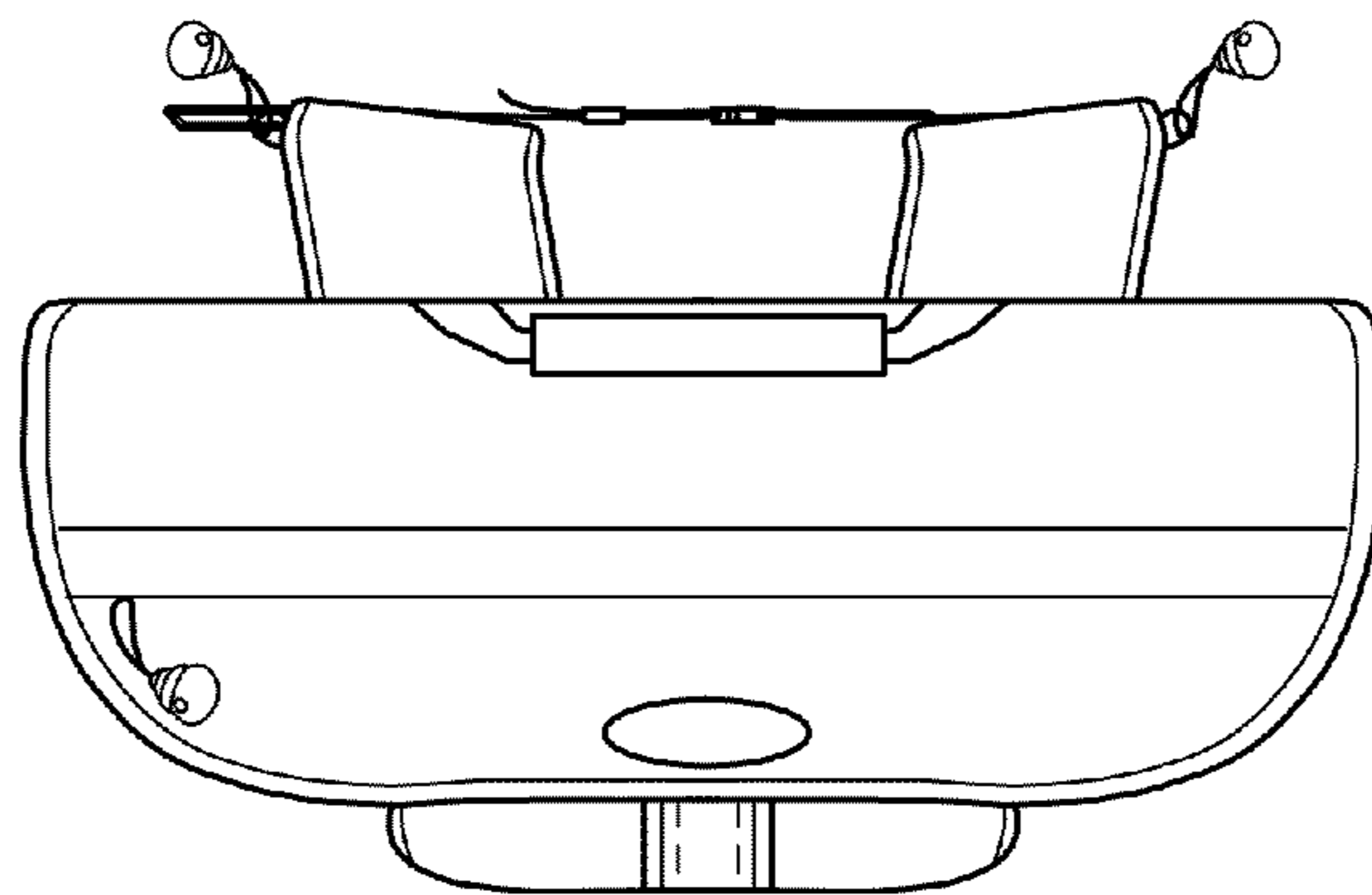


FIG. 4

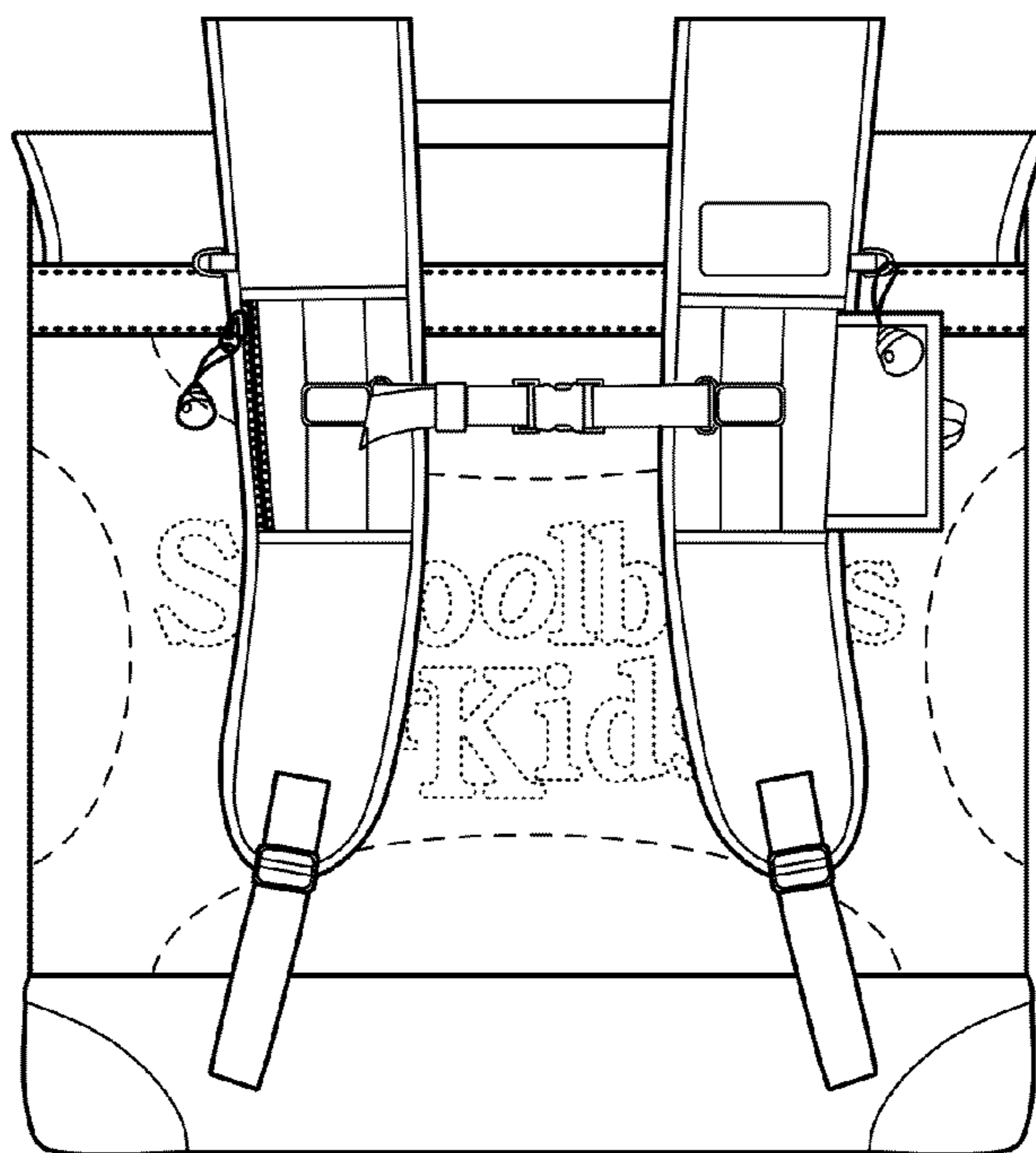


FIG. 5

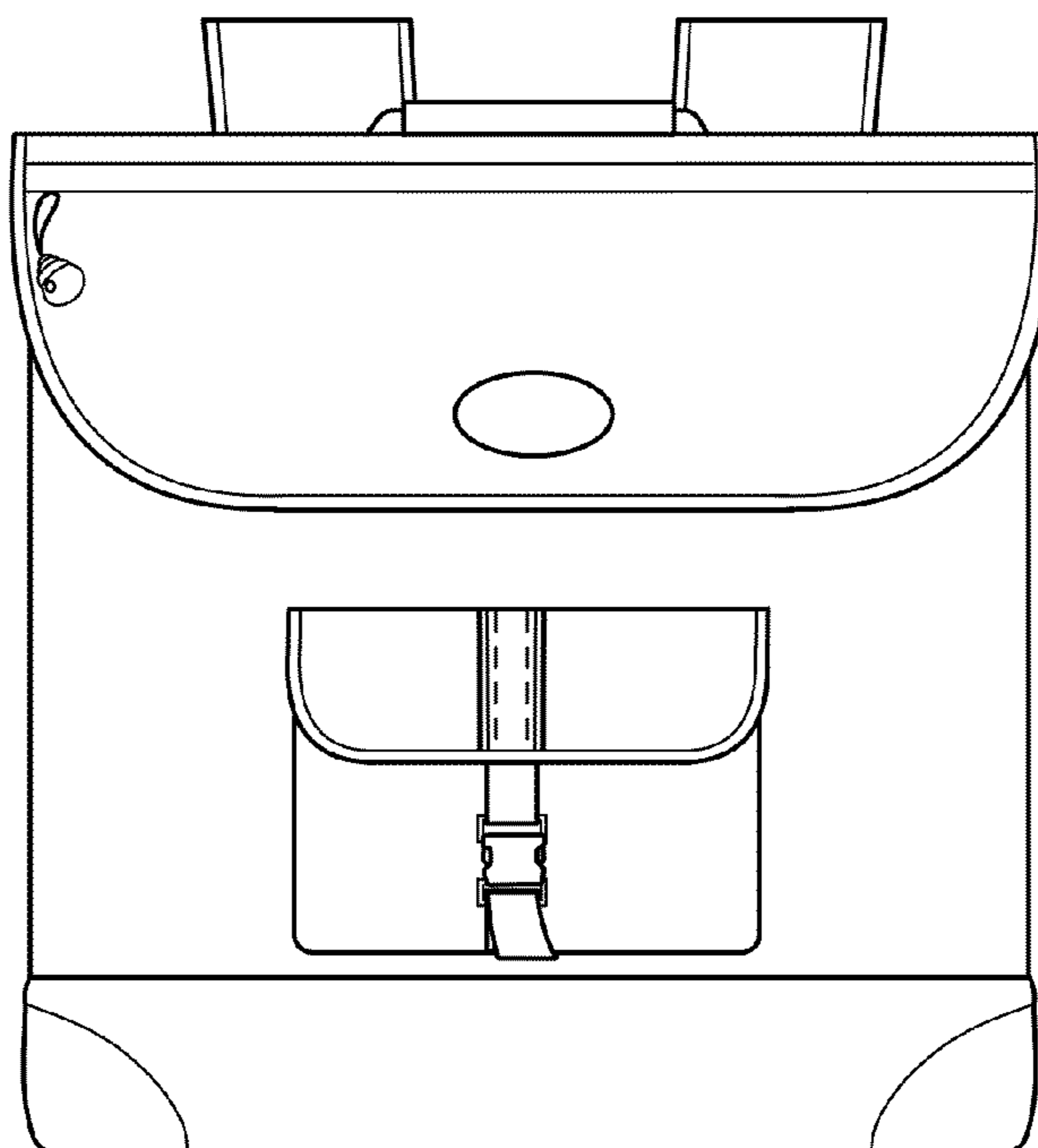


FIG. 6