



US00D690093S

(12) **United States Design Patent**  
**Dombrow et al.**

(10) **Patent No.:** **US D690,093 S**

(45) **Date of Patent:** **\*\* Sep. 24, 2013**

(54) **ATHLETIC SHOE**

(75) Inventors: **David Dombrow**, Baltimore, MD (US);  
**Heather Pieraldi**, Baltimore, MD (US)

(73) Assignee: **Under Armour, Inc.**, Baltimore, MD (US)

(\*\*) Term: **14 Years**

(21) Appl. No.: **29/415,207**

(22) Filed: **Mar. 8, 2012**

(51) **LOC (9) Cl.** ..... **02-99**

(52) **U.S. Cl.**  
USPC ..... **D2/972**

(58) **Field of Classification Search**  
USPC ..... D2/902, 906–908, 944, 947, 969,  
D2/972–974; 36/45, 50.1, 77 M, 77 R, 83,  
36/88, 113, 114, 126–131  
See application file for complete search history.

(56) **References Cited**

U.S. PATENT DOCUMENTS

D412,614 S *	8/1999	Lavertue et al. ....	D2/972
D483,938 S *	12/2003	Laberge .....	D2/973
D553,841 S *	10/2007	Tapolcai et al. ....	D2/972
D555,343 S *	11/2007	Bettencourt et al. ....	D2/972

D576,399 S *	9/2008	Grenet et al. ....	D2/972
D595,937 S *	7/2009	Morris .....	D2/907
D625,097 S *	10/2010	Portzline .....	D2/972
D643,187 S	8/2011	Hardy	
2008/0250668 A1	10/2008	Marvin et al.	

\* cited by examiner

*Primary Examiner* — Dominic Simone

(74) *Attorney, Agent, or Firm* — Maginot, Moore & Beck LLP

(57) **CLAIM**

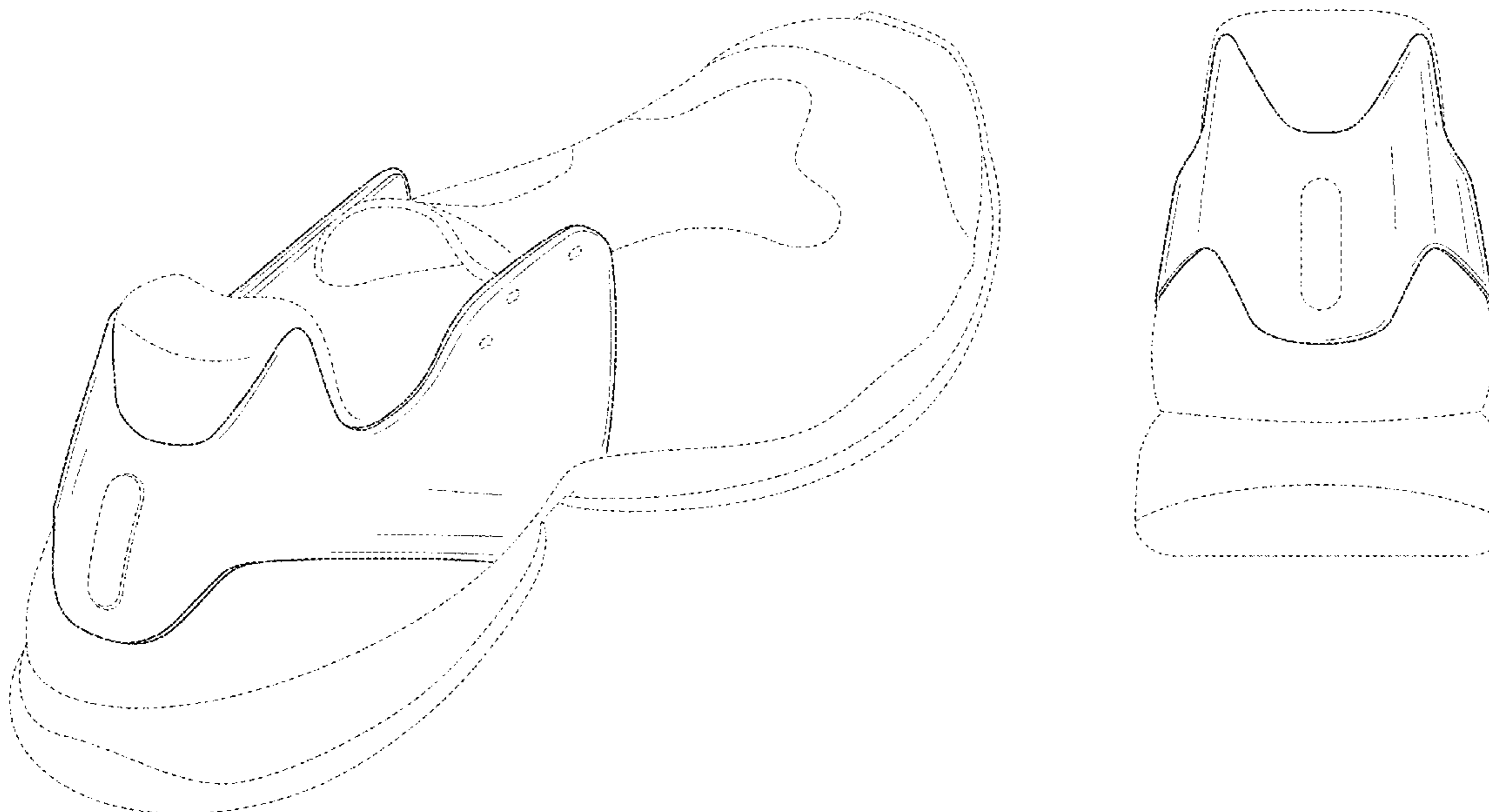
The ornamental design for an athletic shoe, as shown and described.

**DESCRIPTION**

FIG. 1 is a rear perspective view of an athletic shoe showing our new design;  
FIG. 2 is a top view thereof;  
FIG. 3 is a bottom view thereof;  
FIG. 4 is a lateral side view thereof;  
FIG. 5 is a medial side view thereof;  
FIG. 6 is a front view thereof; and,  
FIG. 7 is a rear view thereof.

The shoe shown in broken lines is for illustrative purposes only and forms no part of the claimed design.

**1 Claim, 6 Drawing Sheets**



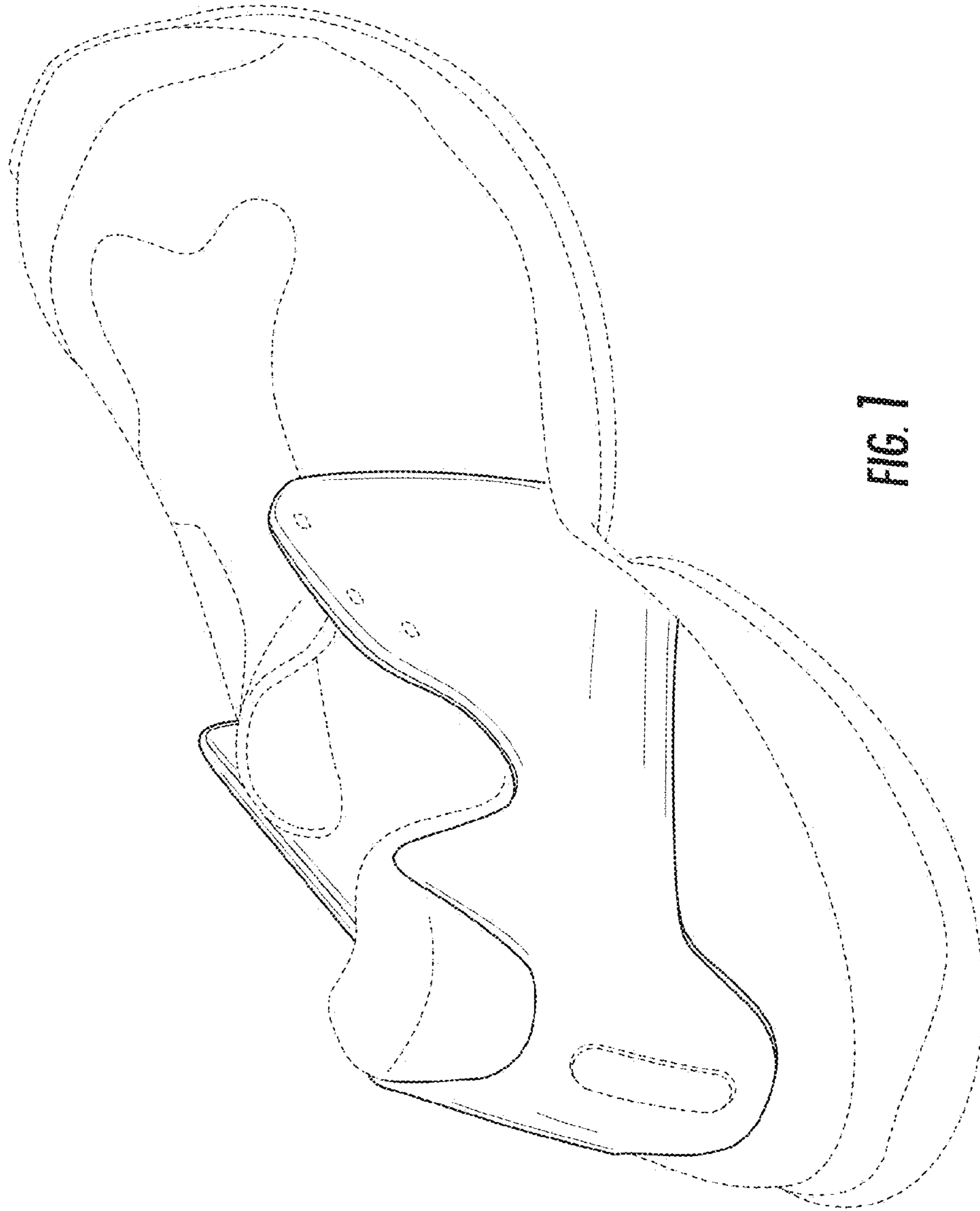


FIG. 1

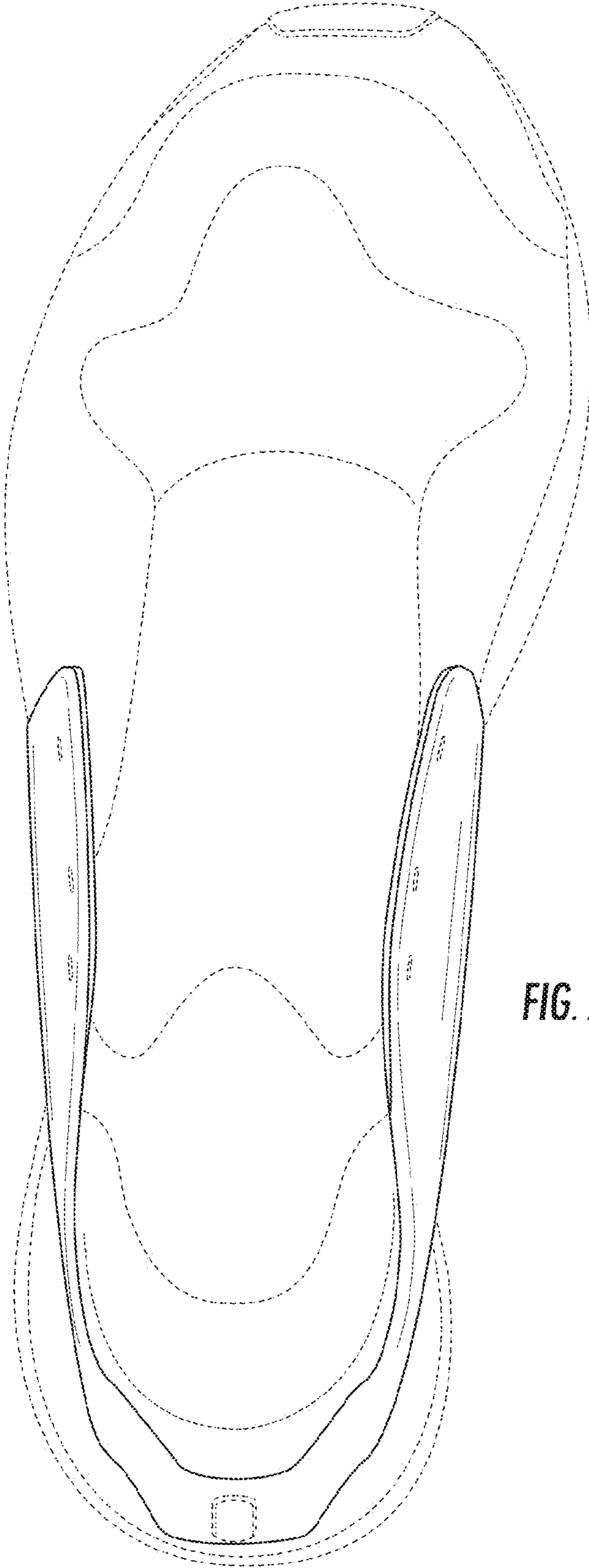


FIG. 2

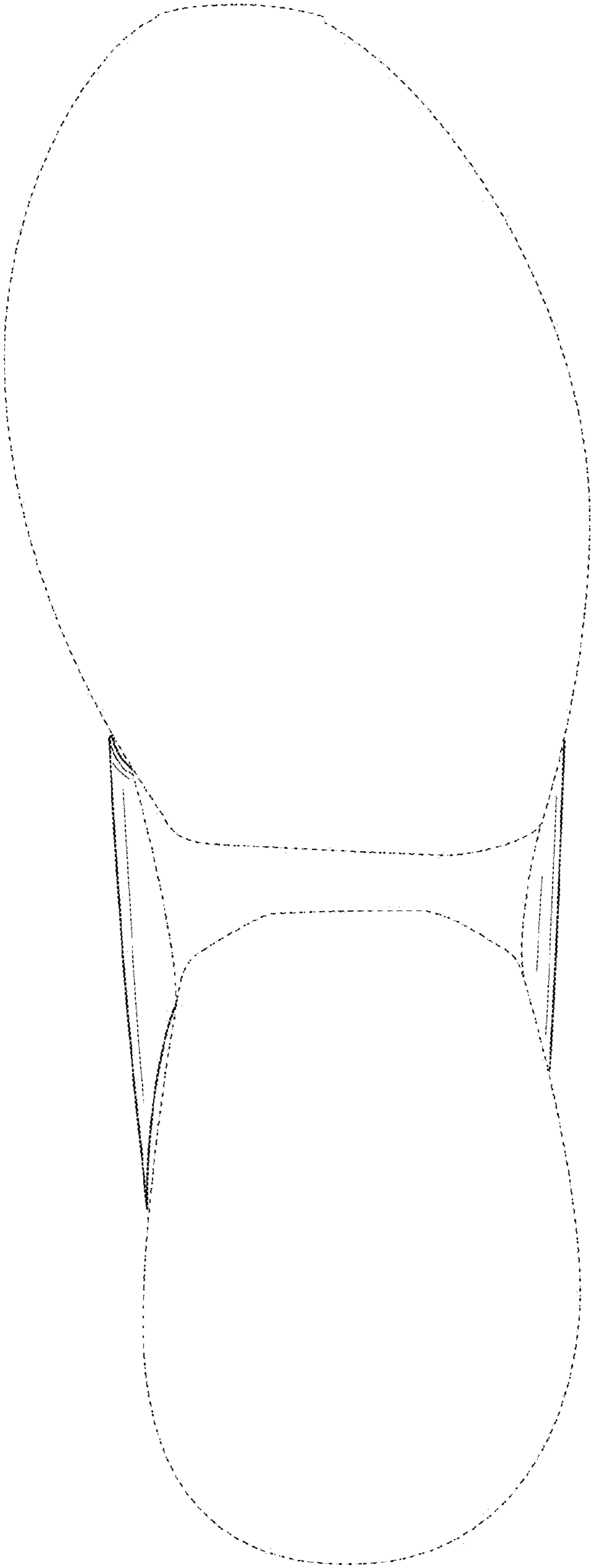


FIG. 3

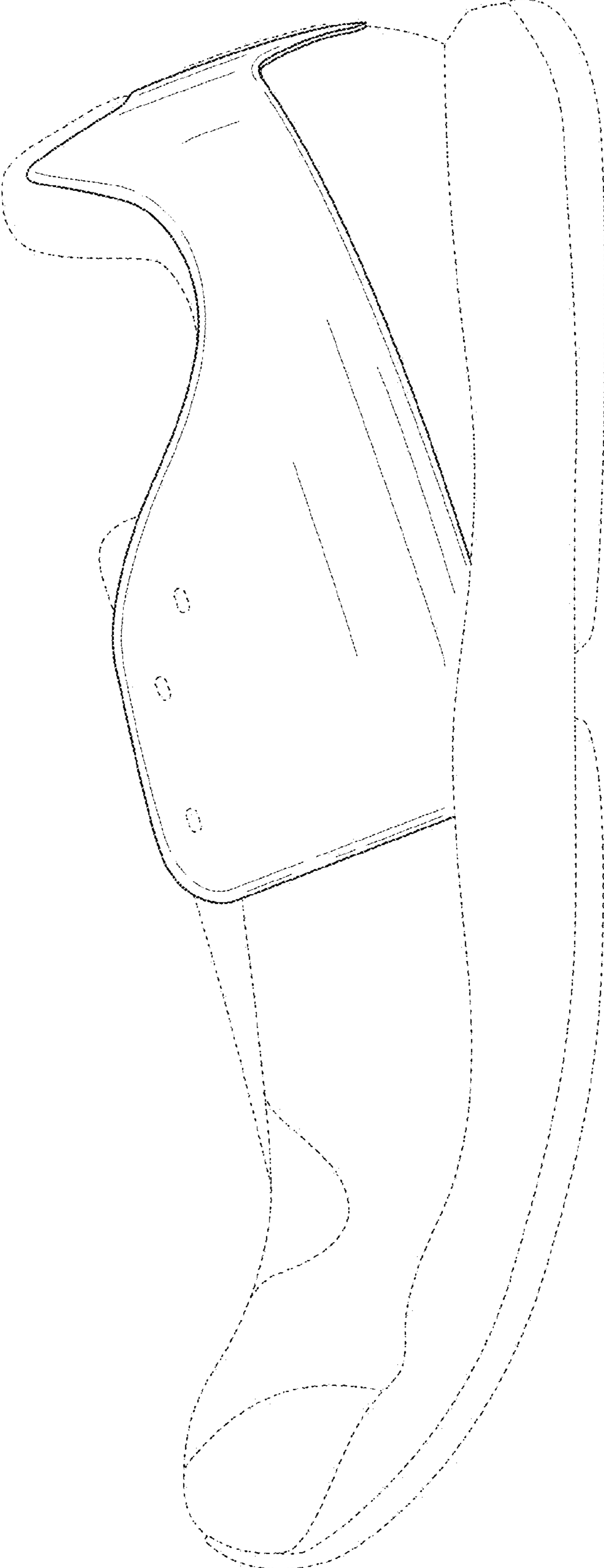


FIG. 4

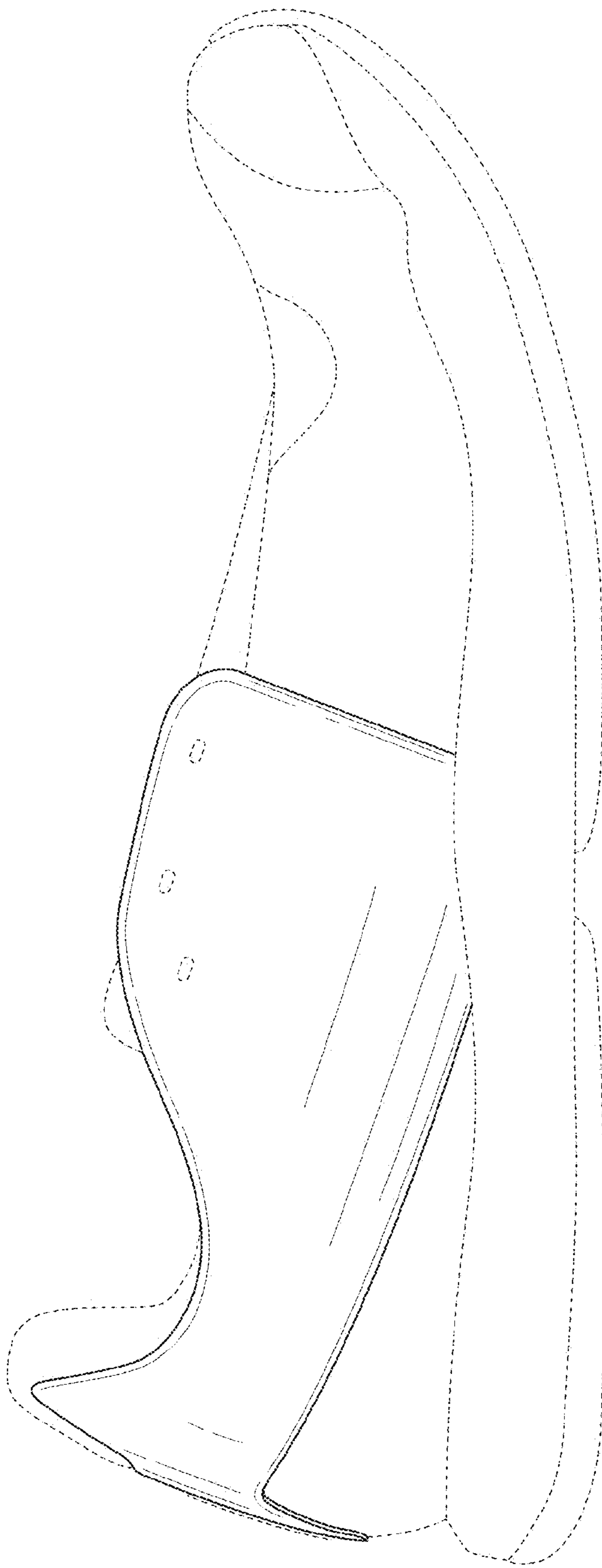


FIG. 5

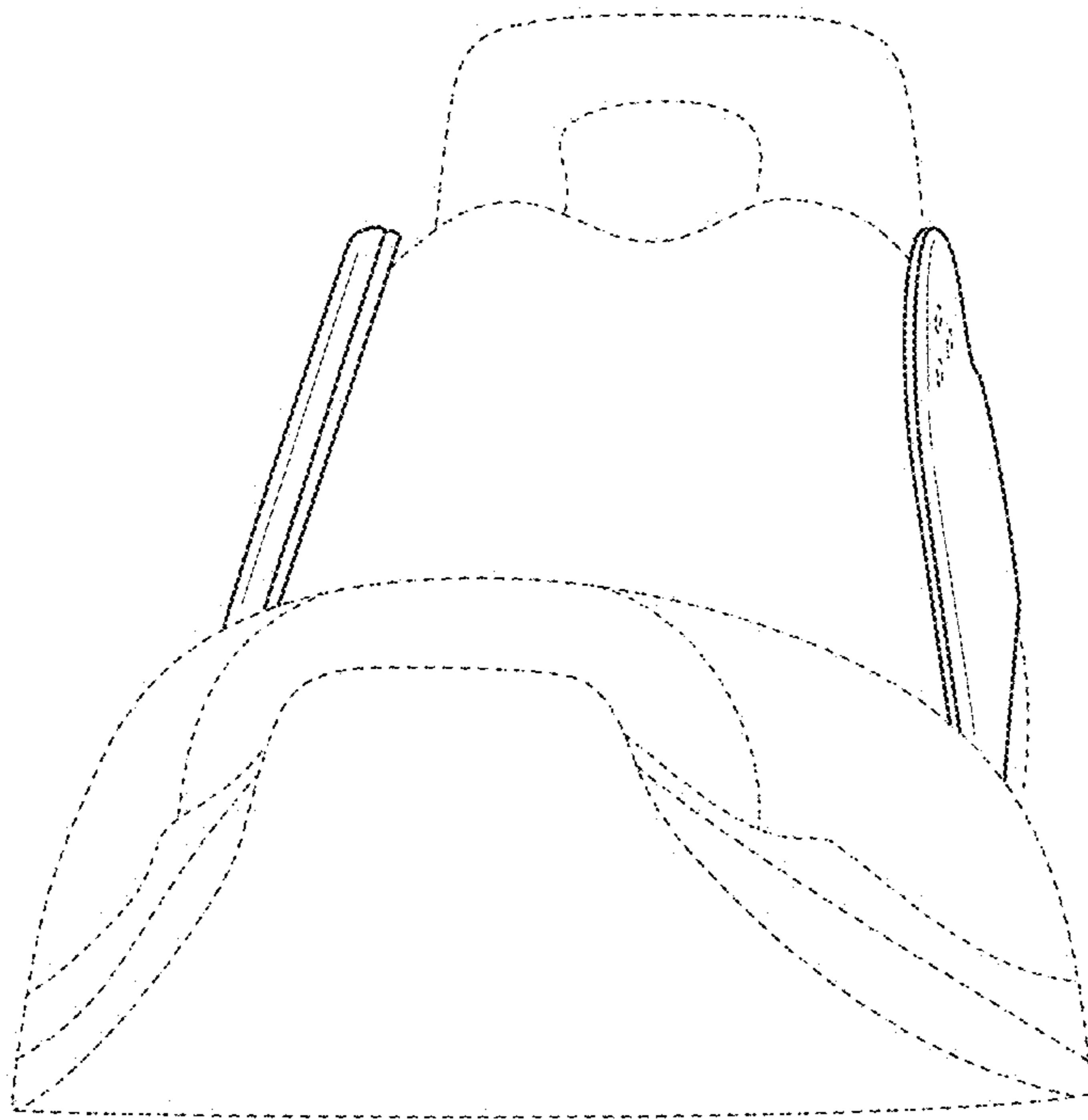


FIG. 6

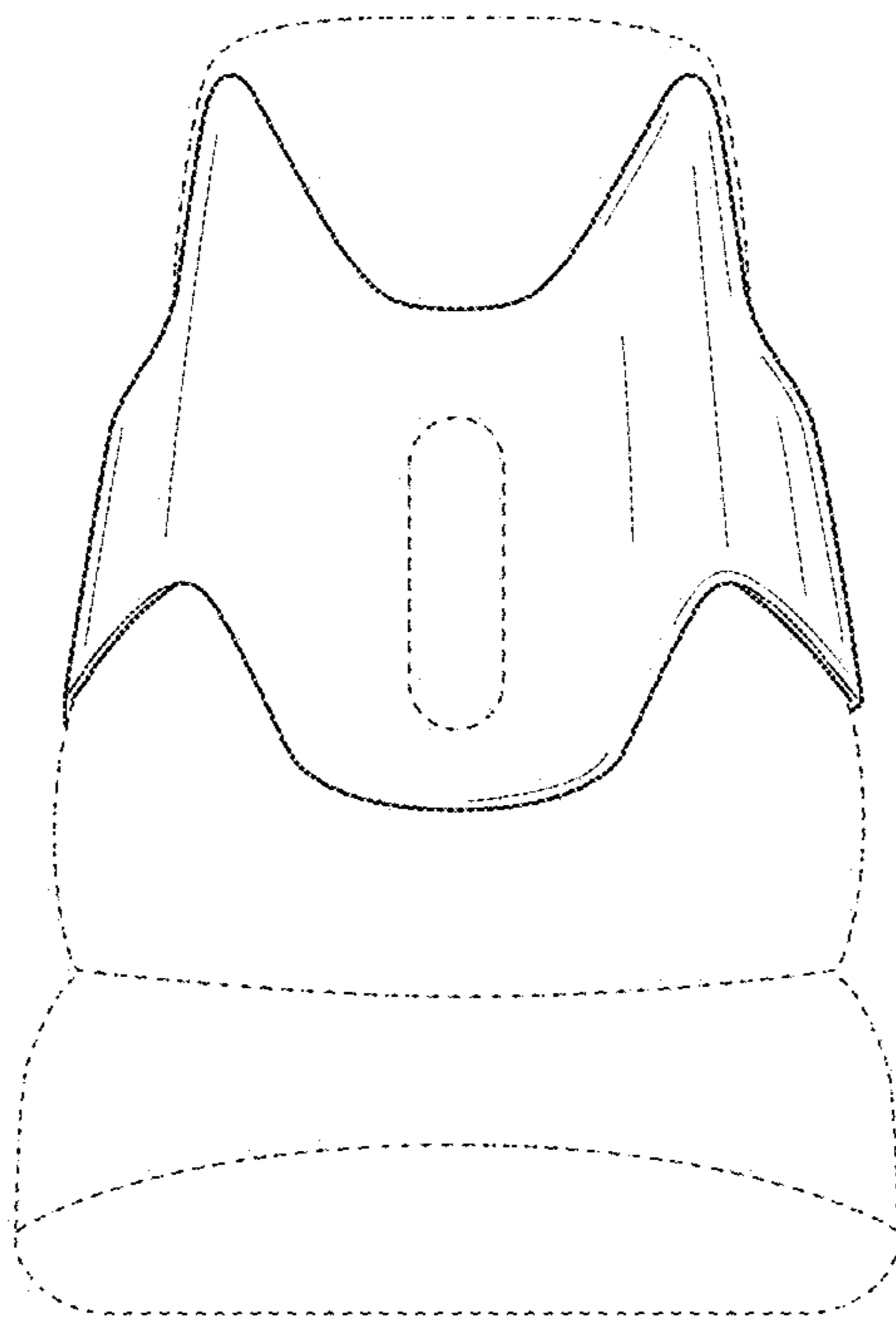


FIG. 7