



US00D690076S

(12) **United States Design Patent**
LeStage et al.

(10) **Patent No.:** **US D690,076 S**

(45) **Date of Patent:** **** Sep. 24, 2013**

- (54) **HOLDER FOR AN EDIBLE CONE**
- (71) Applicant: **Frito-Lay North America, Inc.**, Plano, TX (US)
- (72) Inventors: **David LeStage**, McKinney, TX (US);
Dave VandenBranden, Plano, TX (US)
- (73) Assignee: **Frito-Lay North America, Inc.**, Plano, TX (US)
- (**) Term: **14 Years**
- (21) Appl. No.: **29/447,276**

- (22) Filed: **Mar. 1, 2013**
- (51) **LOC (9) Cl.** **01-01**
- (52) **U.S. Cl.**
USPC **D1/105**
- (58) **Field of Classification Search**
USPC D1/100-130, 199; 426/5, 76, 87,
426/92, 94, 95, 99, 101, 103, 104, 108, 138-139,
426/143, 144, 279, 282, 283, 391, 514, 549,
426/559, 560, 660, 808; D21/385, 386, 401,
D21/722; D6/601, 597; D7/507, 675, 619.1,
D7/624.2, 625, 630, 700; 220/574; 29/428;
D9/712, 431, 695, 645

See application file for complete search history.

(56) **References Cited**

U.S. PATENT DOCUMENTS

1,615,680	A *	1/1927	Buhse	426/139
1,939,450	A *	12/1933	Horton	426/91
D92,261	S *	5/1934	Leaf	D1/118
D94,500	S *	2/1935	Leaf	D1/118
D113,736	S *	3/1939	Franke	D1/118
2,200,956	A *	5/1940	Kennedy	426/139
2,248,448	A *	7/1941	Chester	426/94
4,188,768	A *	2/1980	Getman	53/282
4,444,795	A *	4/1984	Weinstein	426/90

4,600,591	A *	7/1986	Galli	426/94
5,223,286	A *	6/1993	Selbak	426/94
D426,047	S *	6/2000	Kurtz et al.	D1/105
D539,006	S *	3/2007	Ruggiero	D1/118

* cited by examiner

Primary Examiner — Cathron Brooks

Assistant Examiner — Katie Mroczka

(74) *Attorney, Agent, or Firm* — Colin P. Cahoon; Celina M. Orr; Carstens & Cahoon, LLP

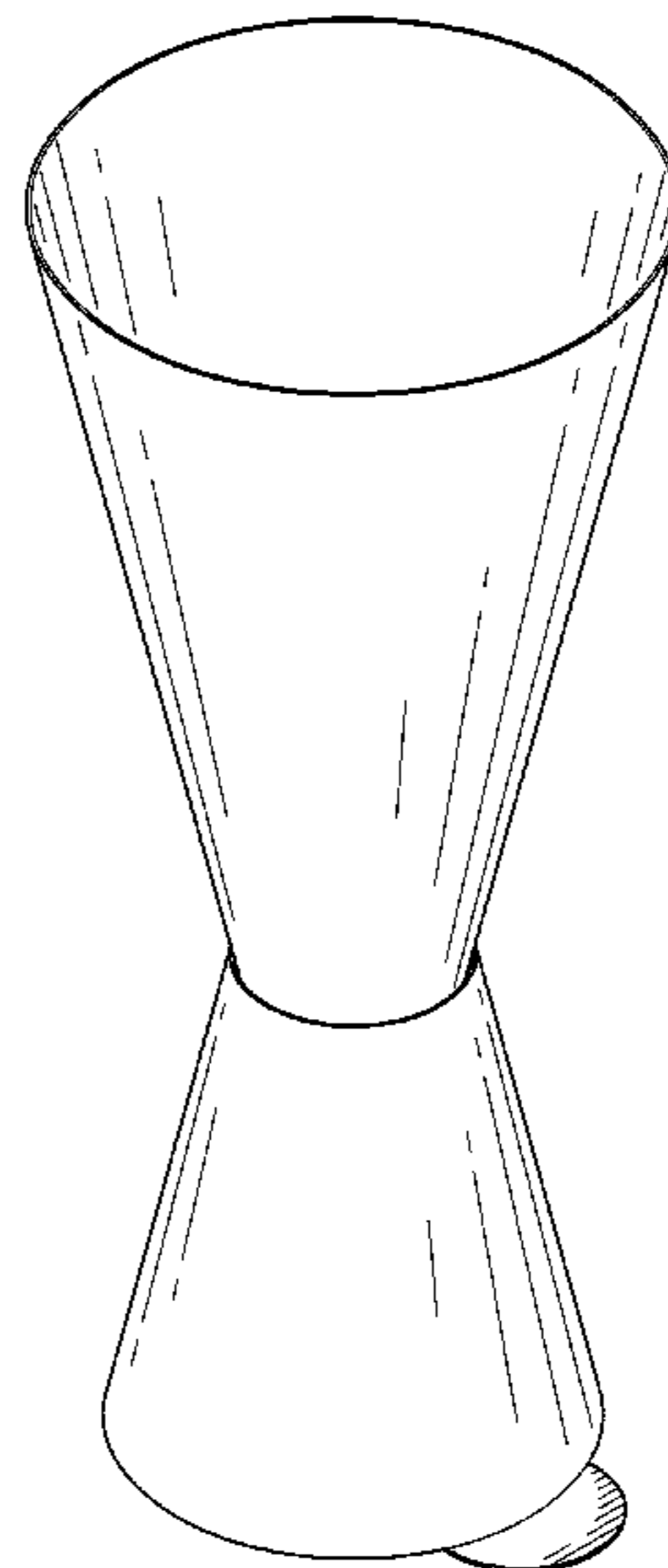
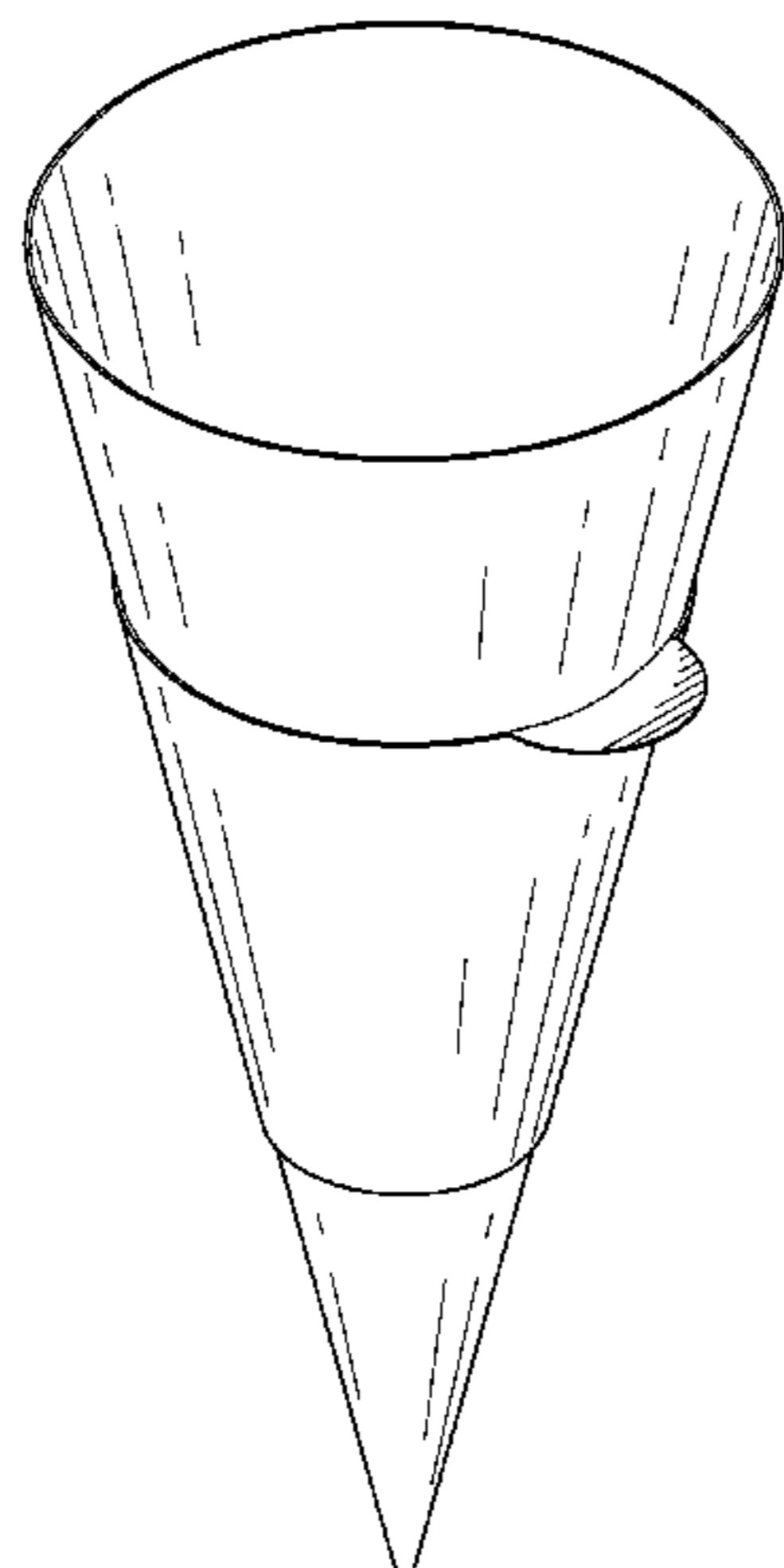
(57) **CLAIM**

The ornamental design for a holder for an edible cone, as shown and described.

DESCRIPTION

FIG. 1 is a perspective view of the present invention;
 FIG. 2 is a front elevation view thereof;
 FIG. 3 is a rear elevation view thereof;
 FIG. 4 is a left elevation view thereof;
 FIG. 5 is a right elevation view thereof;
 FIG. 6 is a top elevation view thereof;
 FIG. 7 is a bottom elevation view thereof;
 FIG. 8 is a perspective view of the present invention illustrating environmental structure;
 FIG. 9 is a perspective view of the present invention in an alternate position.
 FIG. 10 is a front elevation view thereof;
 FIG. 11 is a rear elevation view thereof;
 FIG. 12 is a left elevation view thereof;
 FIG. 13 is a right elevation view thereof;
 FIG. 14 is a top elevation view thereof;
 FIG. 15 is a bottom elevation view thereof; and,
 FIG. 16 is a perspective view of the present invention in an alternate position illustrating environmental structure.
 The broken line showing of an edible cone in FIGS. 8 and 16 is for the purpose of illustrating environmental structure and forms no part of the claimed invention.

1 Claim, 10 Drawing Sheets



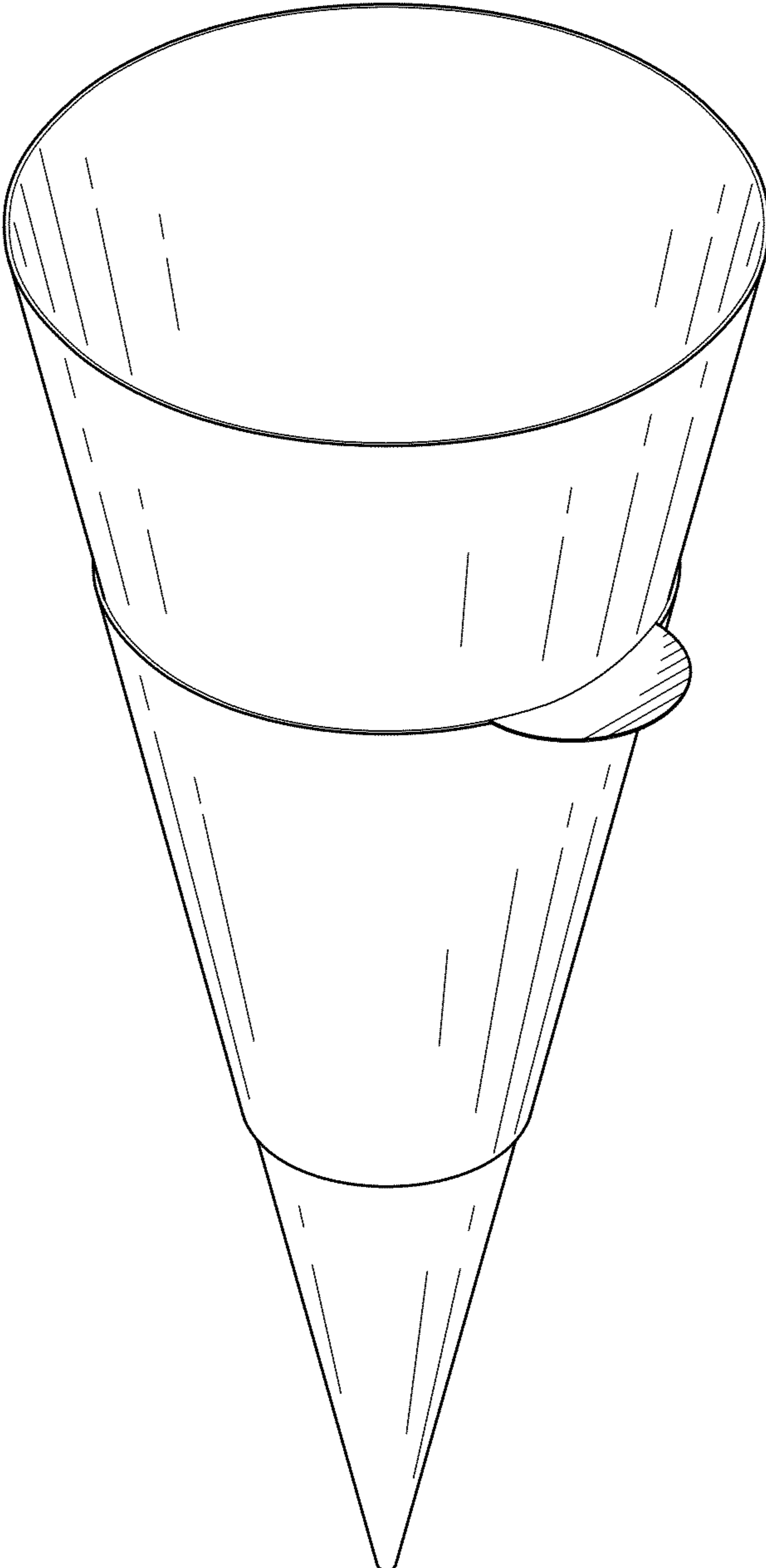


FIG. 1

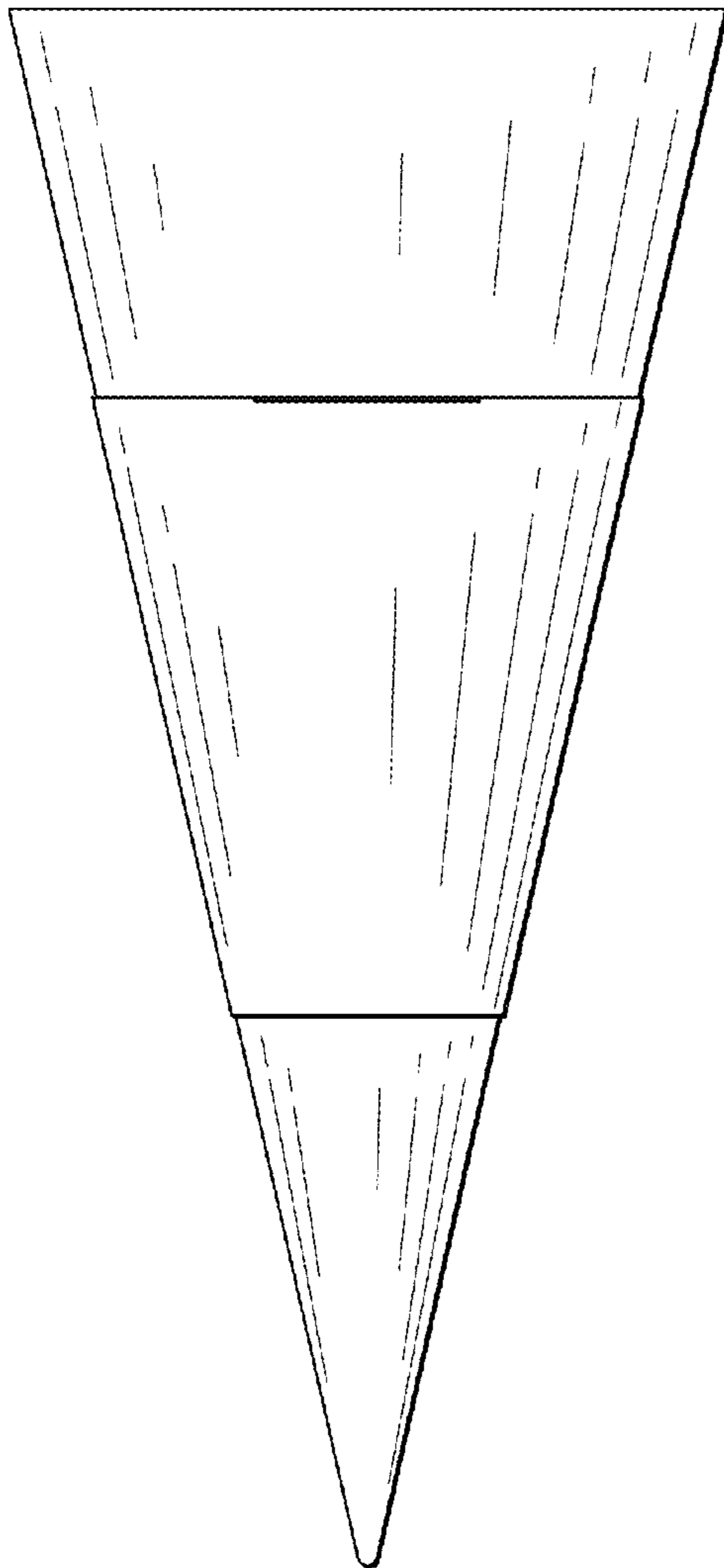


FIG. 2

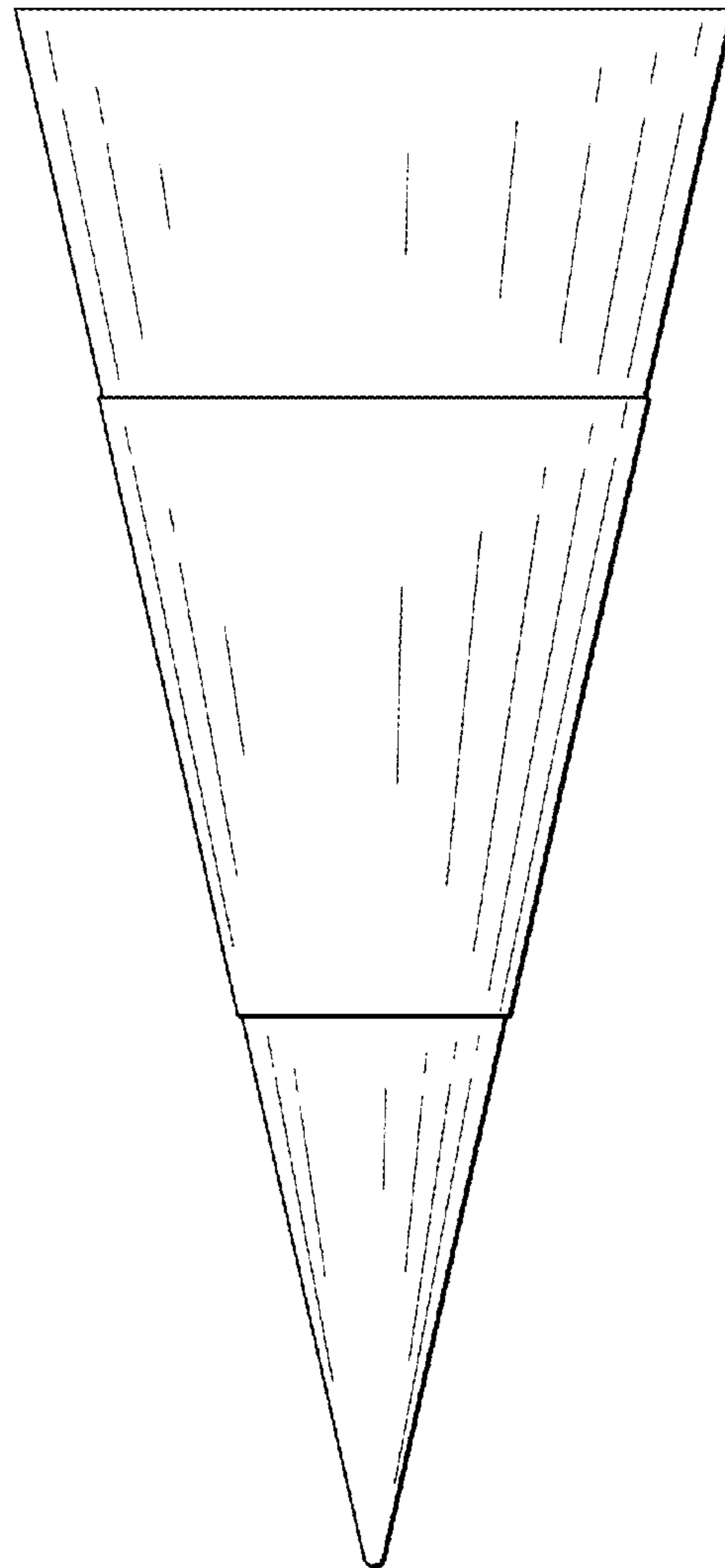


FIG. 3

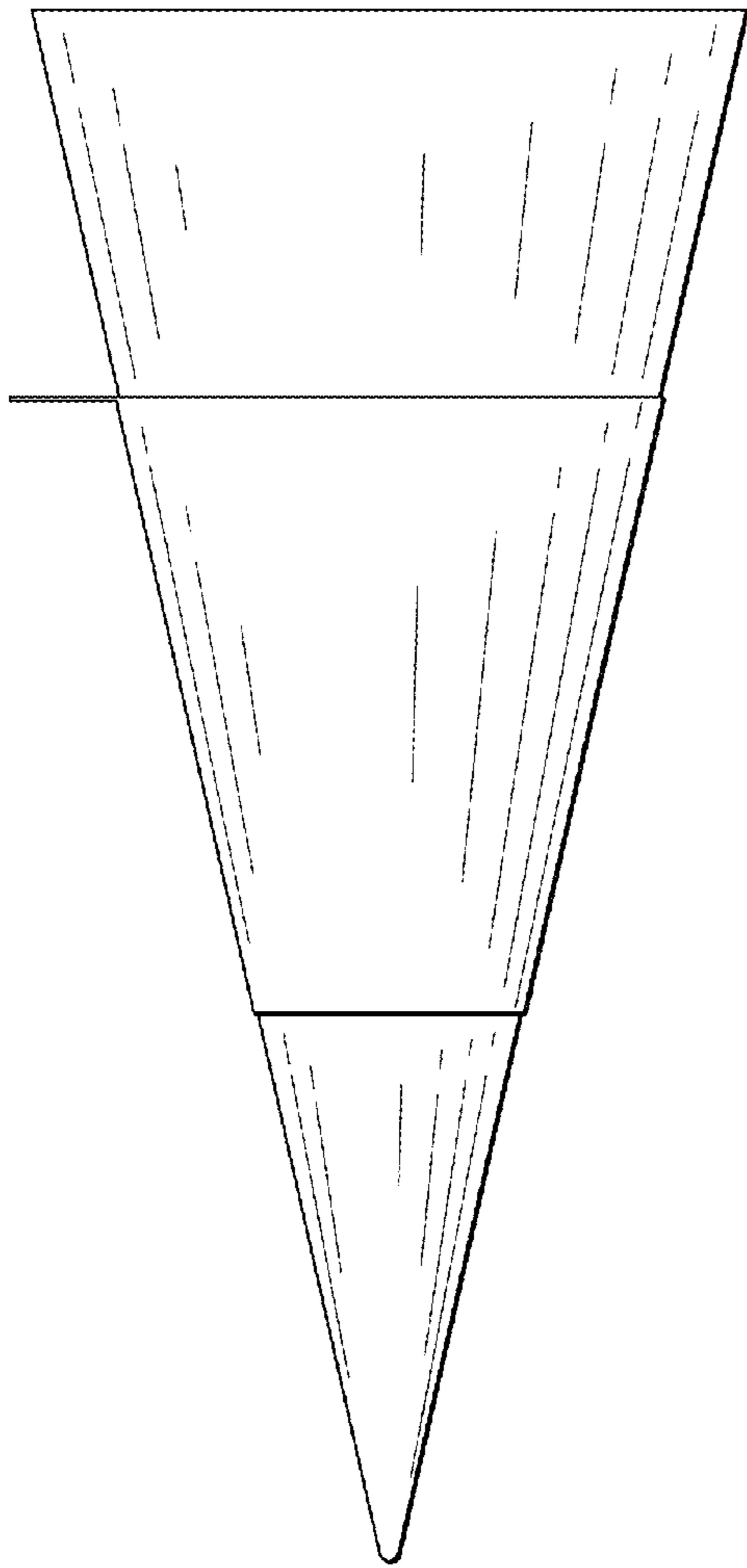


FIG. 4

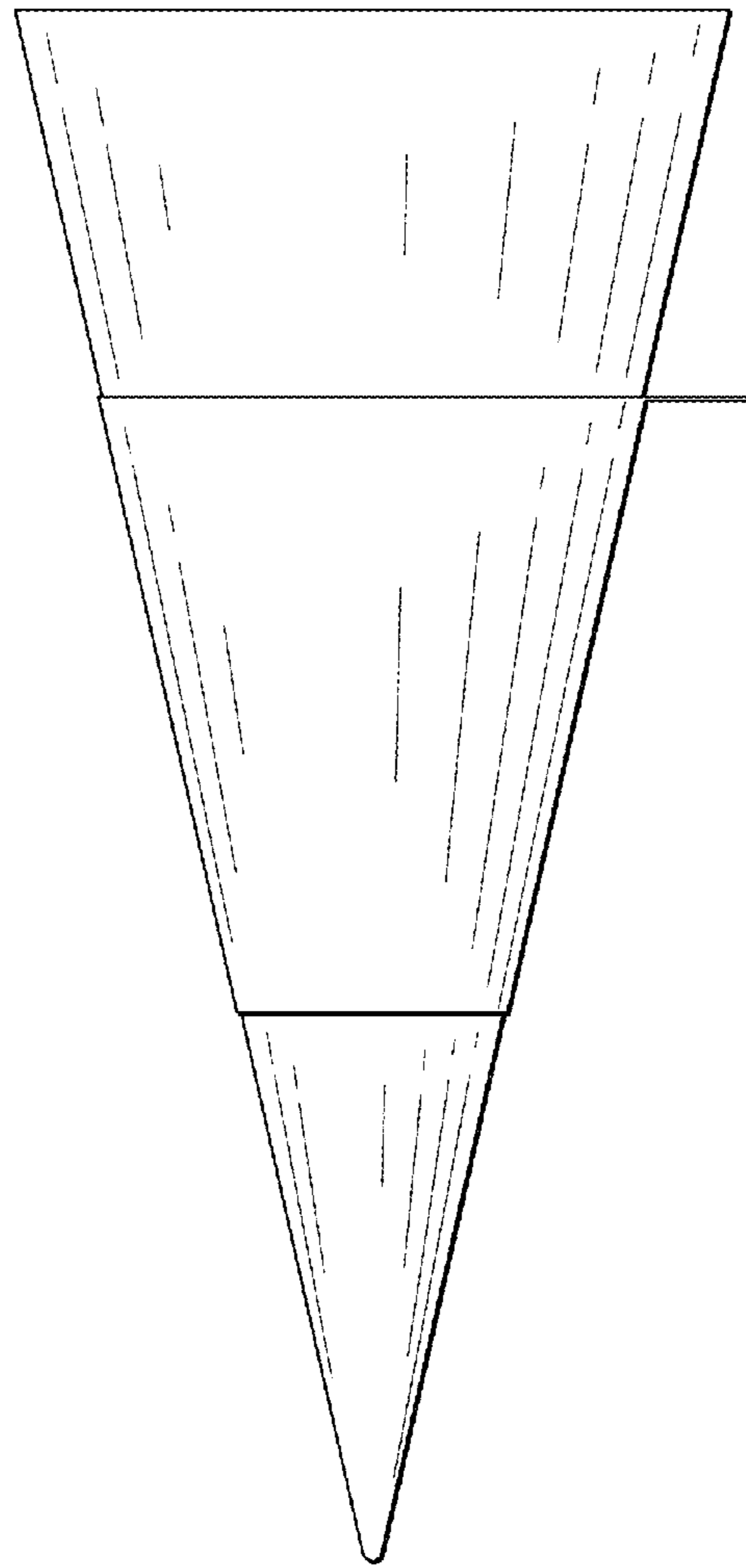


FIG. 5

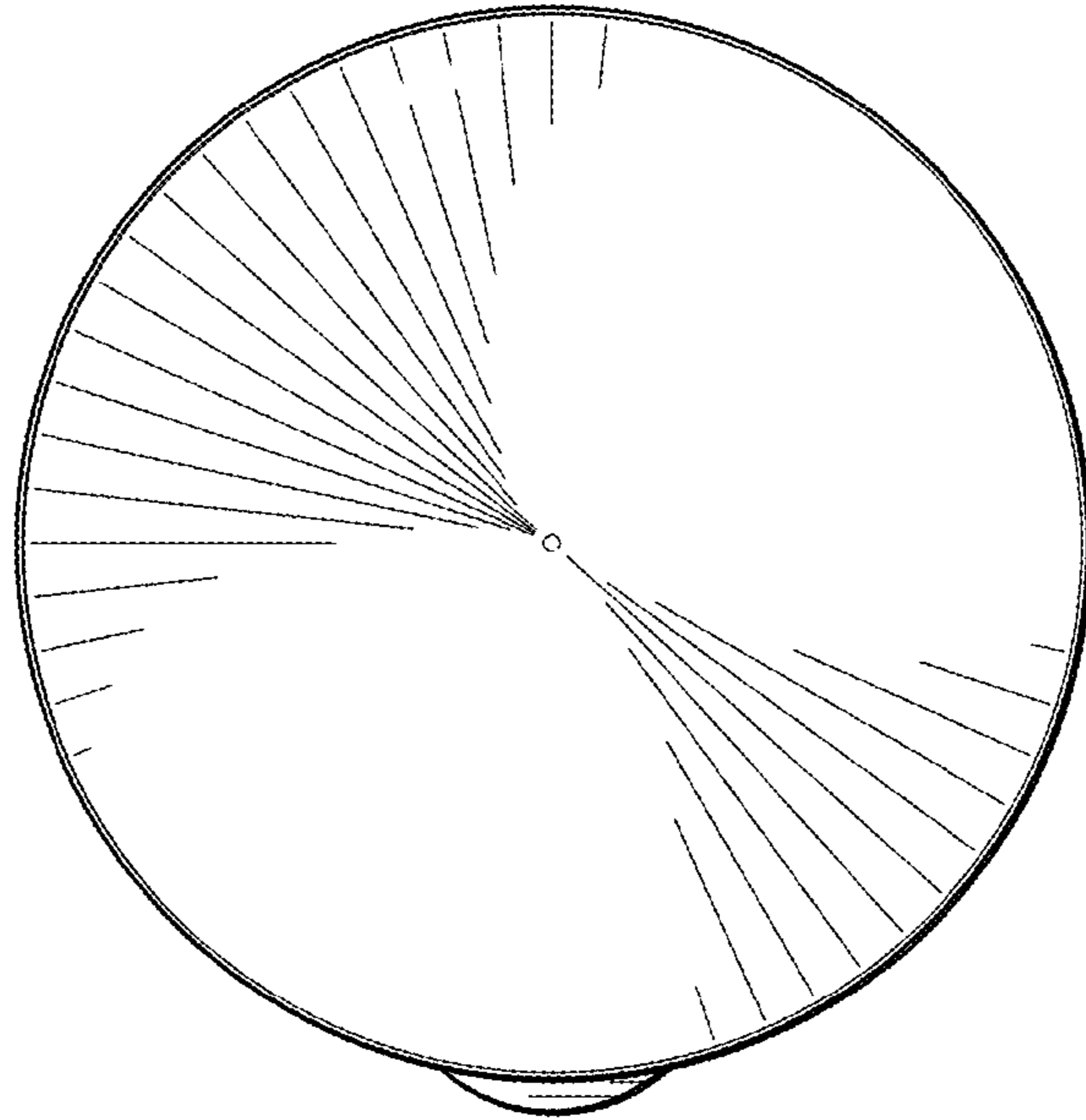


FIG. 6

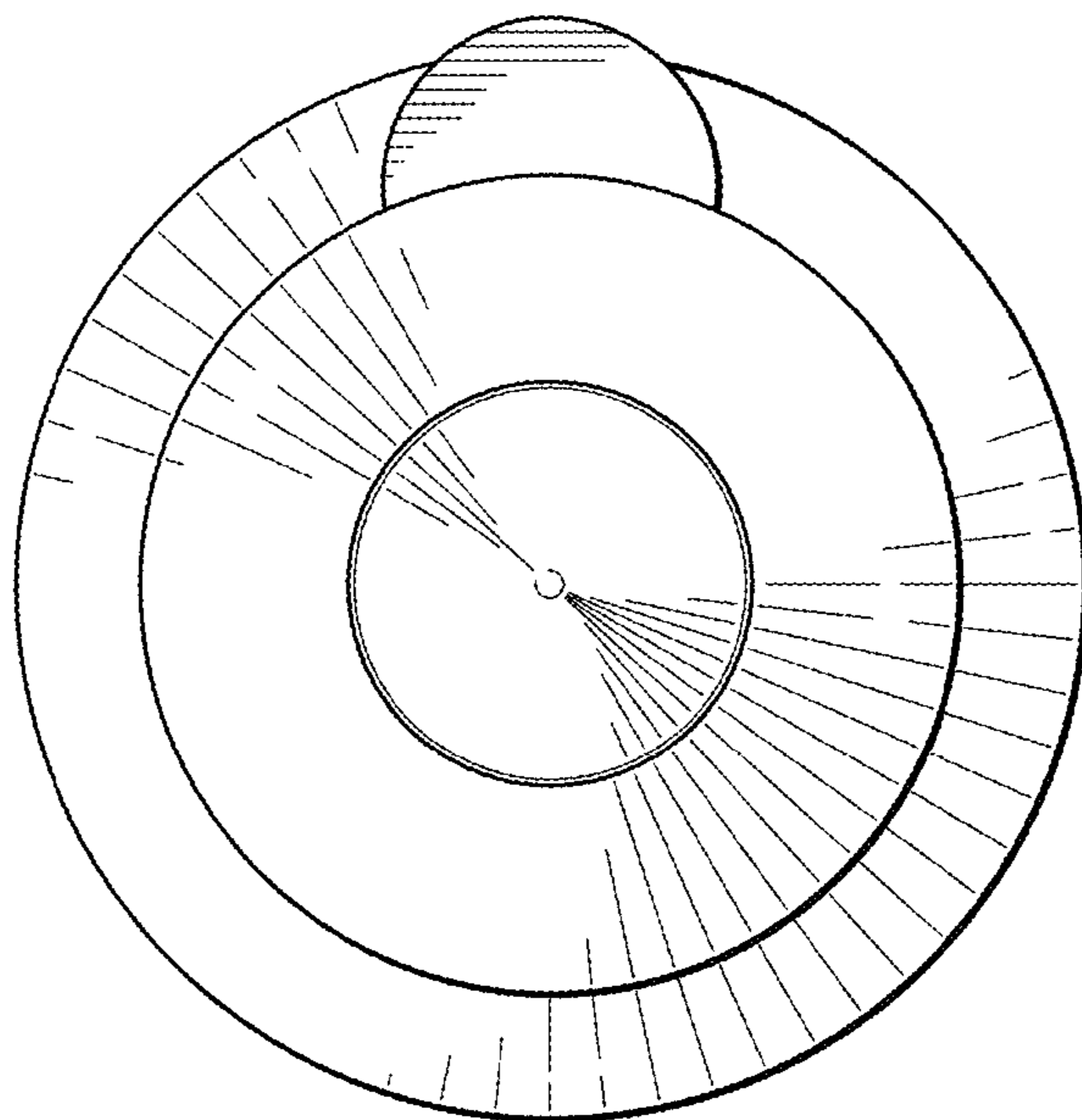


FIG. 7

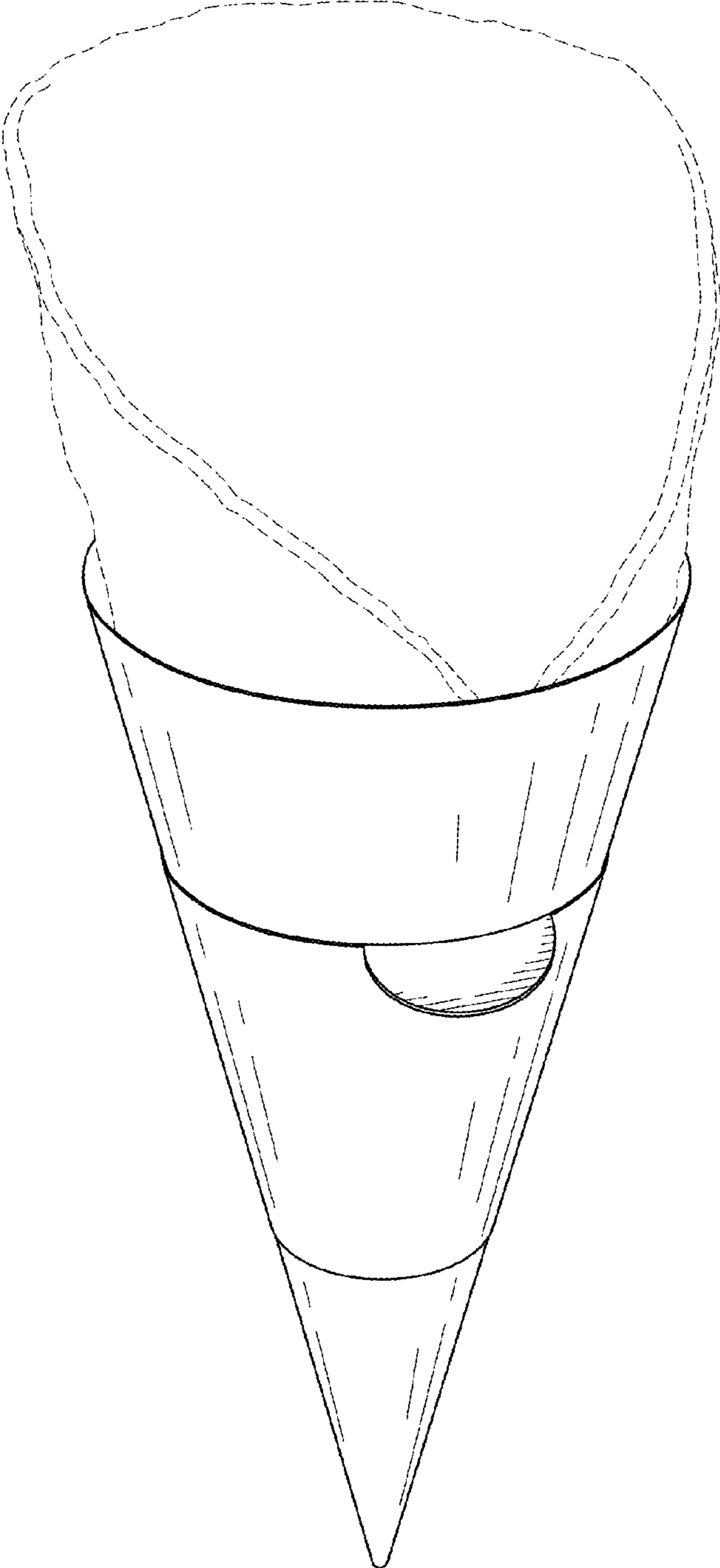


FIG. 8

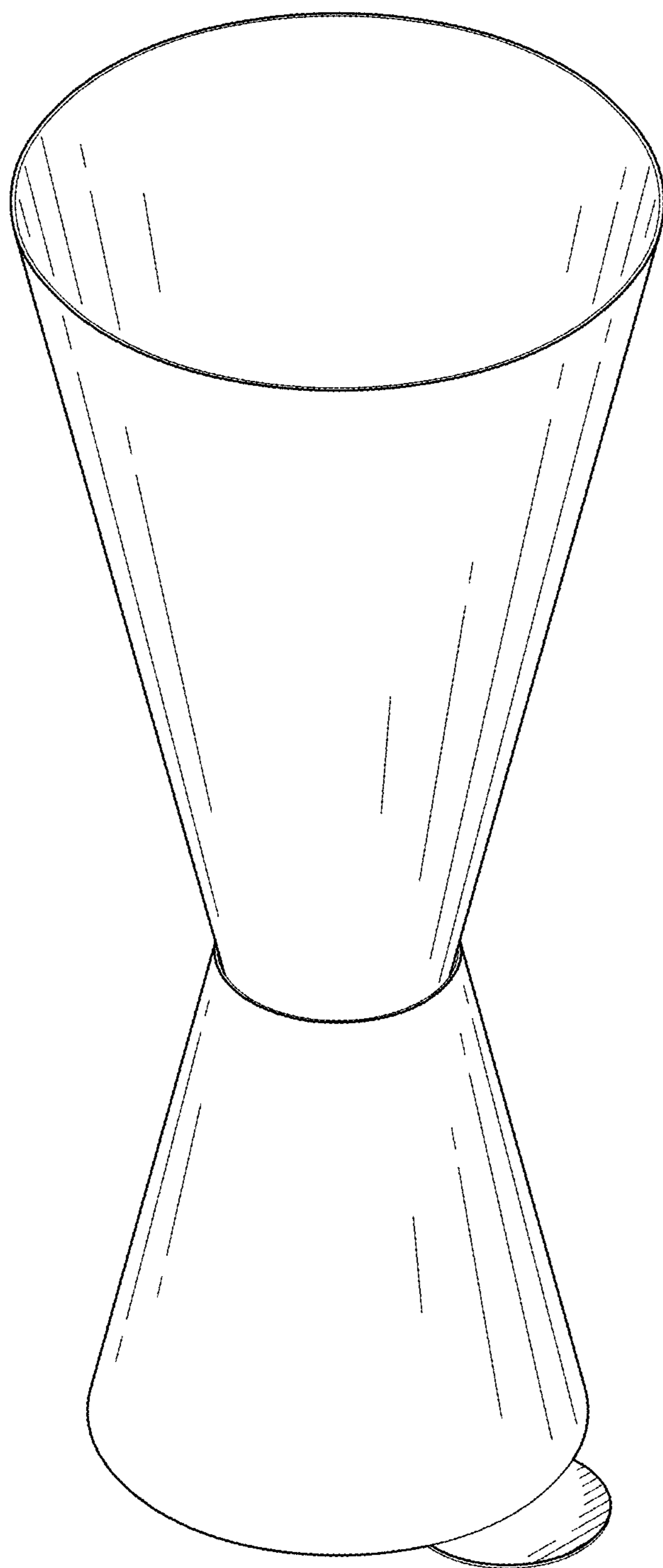


FIG. 9

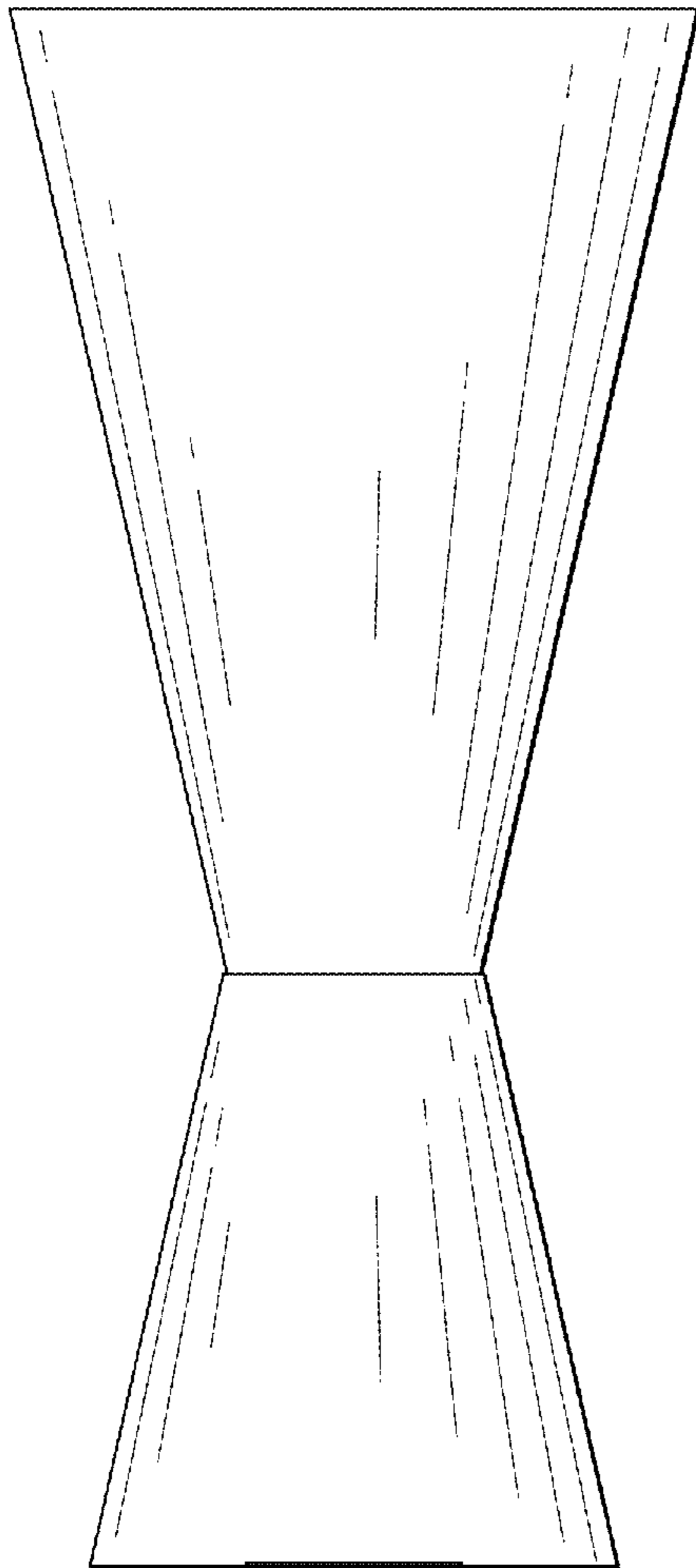


FIG. 10

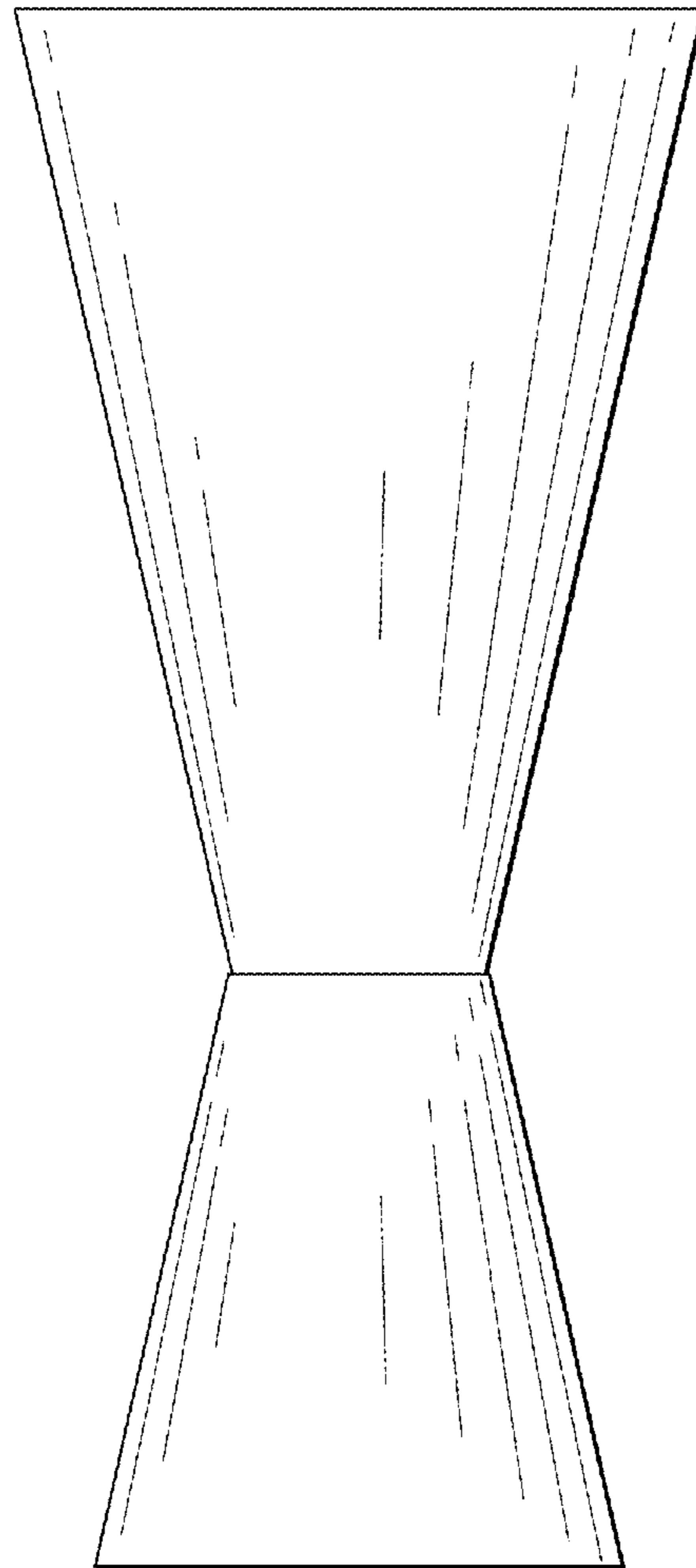


FIG. 11

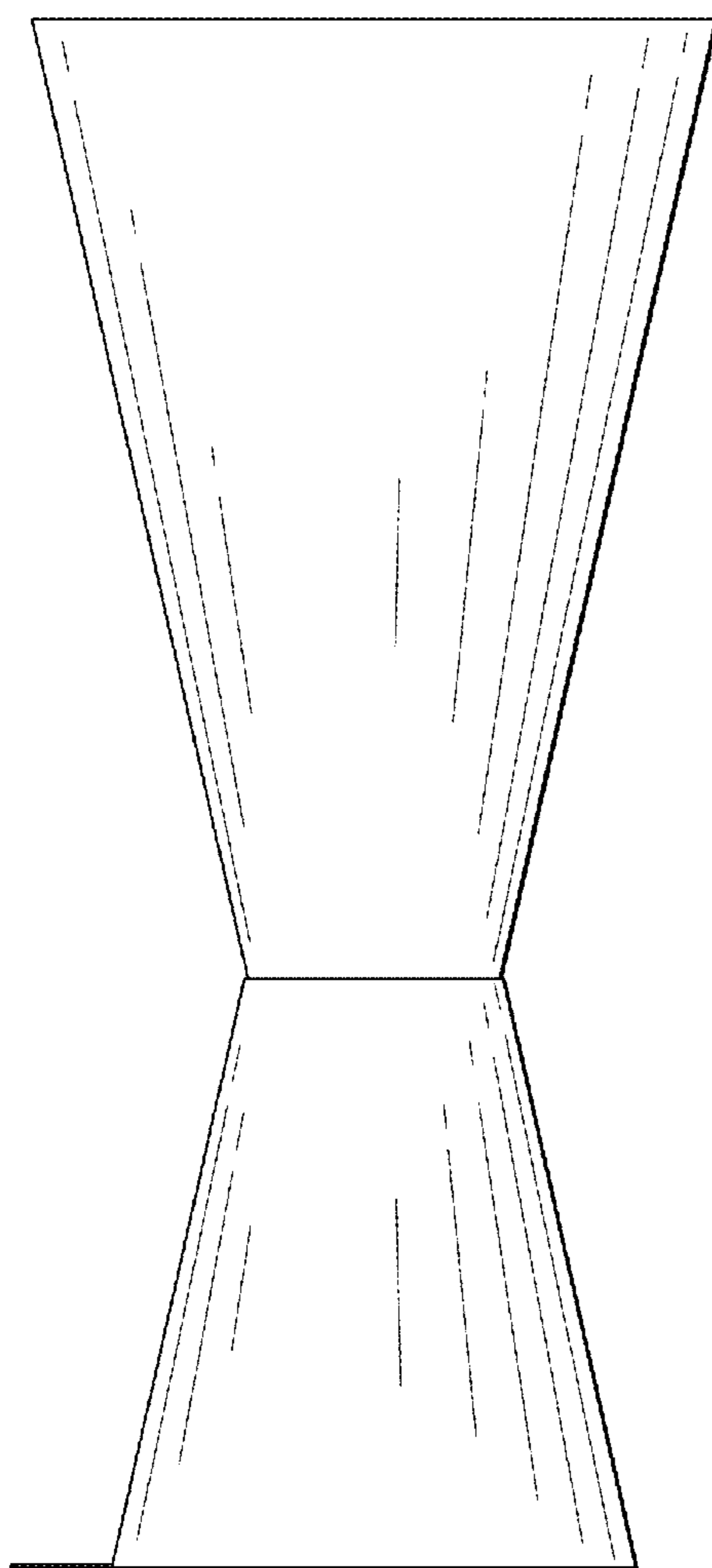


FIG. 12

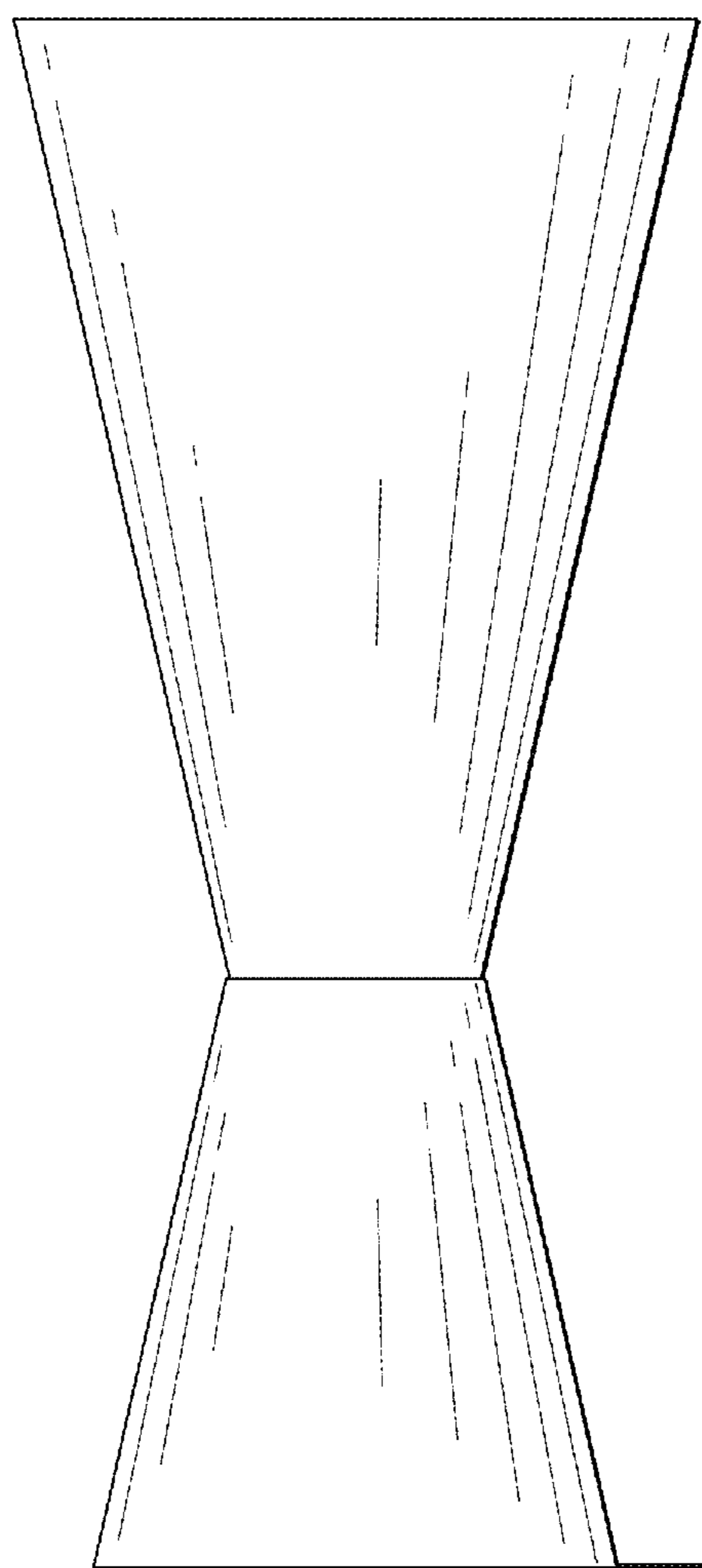


FIG. 13

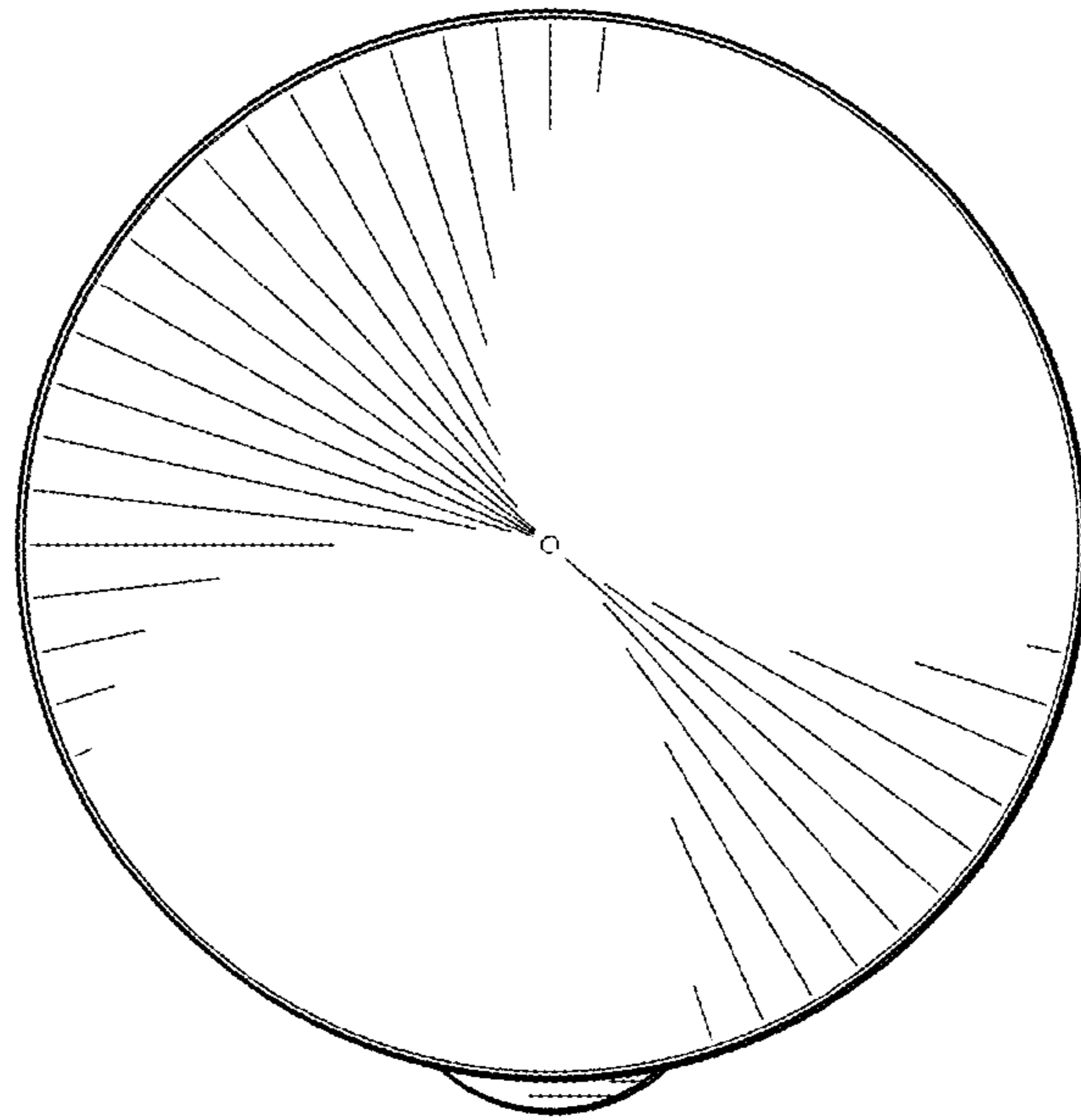


FIG. 14

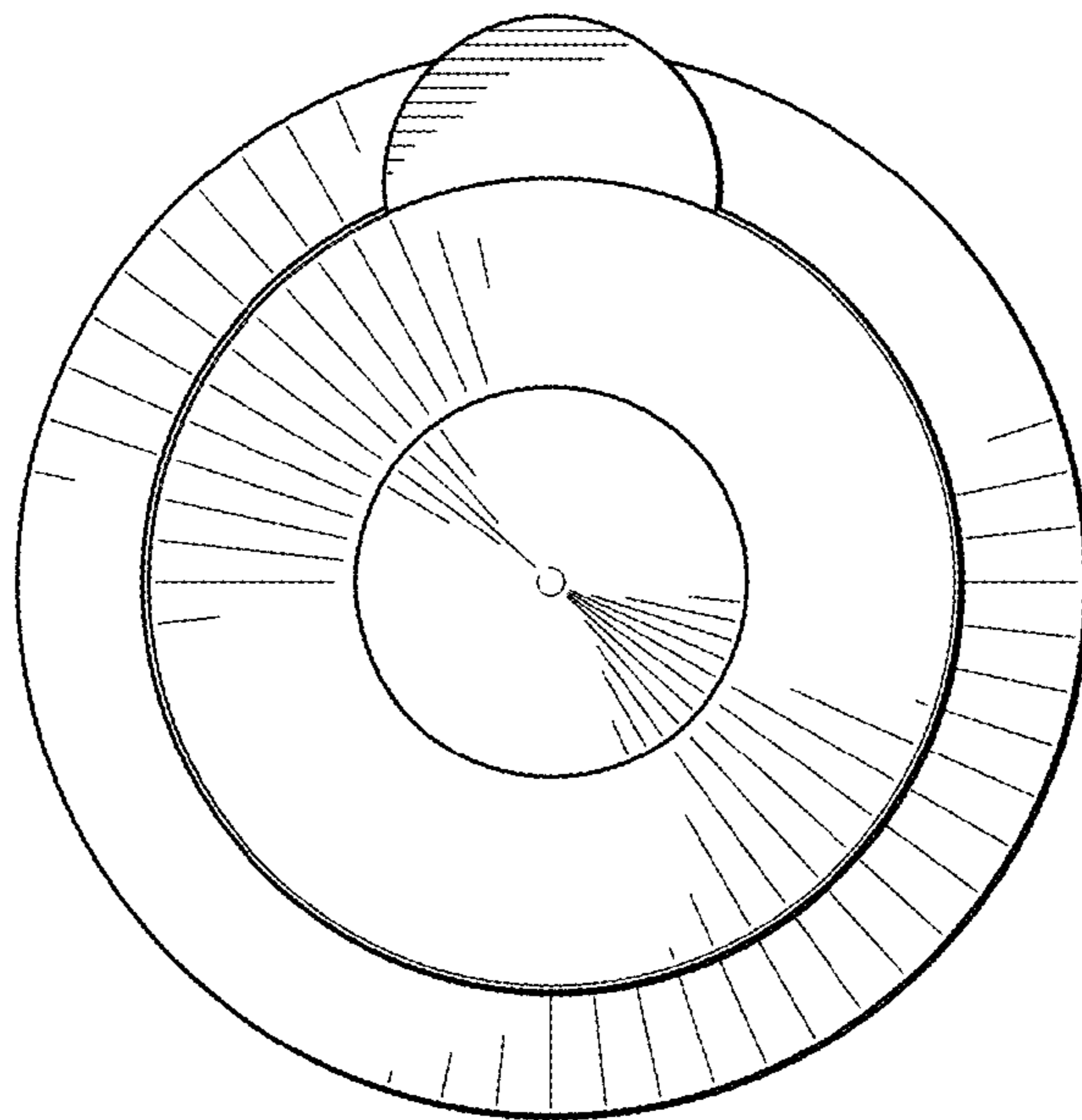


FIG. 15

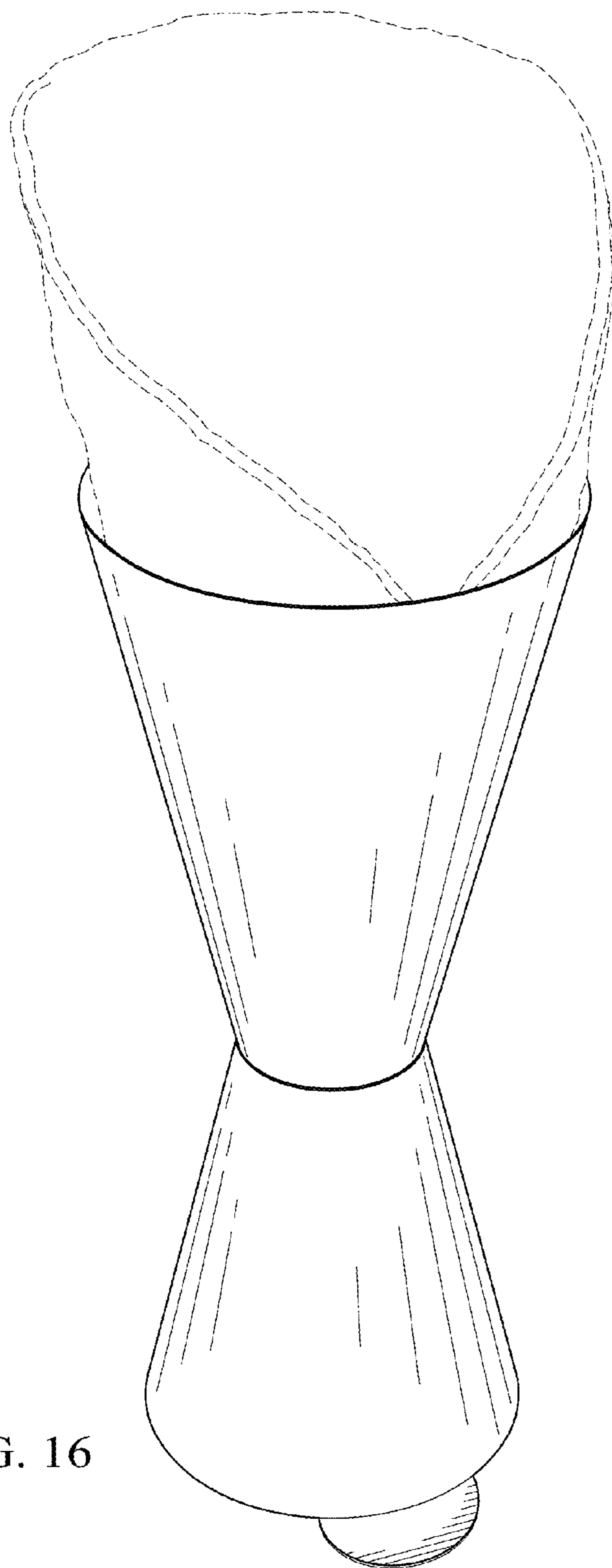


FIG. 16