

US00D690075S

(12) **United States Design Patent**
Belo et al.

(10) **Patent No.:** **US D690,075 S**

(45) **Date of Patent:** **** Sep. 17, 2013**

(54) **SPACE SHUTTLE MAILBOX**

(76) Inventors: **Fernando Belo**, Port St. Lucie, FL (US);
Maria Belo, Port St. Lucie, FL (US)

(**) Term: **14 Years**

(21) Appl. No.: **29/404,212**

(22) Filed: **Oct. 18, 2011**

(51) **LOC (9) Cl.** **25-03**

(52) **U.S. Cl.**
USPC **D99/32**

(58) **Field of Classification Search**
USPC D99/28, 29, 30, 31, 32, 33, 43, 99;
D21/447, 451, 582; 232/1 R, 1 A, 17, 19,
232/20, 21, 24, 27, 38, 39; 446/225, 230,
446/231

See application file for complete search history.

(56) **References Cited**

U.S. PATENT DOCUMENTS

109,939	A	*	12/1870	Potts	232/17
D86,799	S	*	4/1932	Mooney	D99/32
D90,840	S	*	10/1933	Ferris	D21/451
D288,258	S	*	2/1987	Oden	D99/30
4,657,211	A	*	4/1987	Fuldner et al.	244/172.5
D299,231	S	*	1/1989	Yeung	D14/143

D386,884	S	*	11/1997	Barnes	D99/32
D439,723	S	*	3/2001	Avery	D99/30
6,299,325	B1	*	10/2001	Cathel	362/183
D529,680	S	*	10/2006	Broikos	D99/30
D634,093	S	*	3/2011	Wagner	D99/30
D679,475	S	*	4/2013	Frye	D99/32

* cited by examiner

Primary Examiner — Elizabeth J Oswecki

(57) **CLAIM**

We claim the ornamental design for the space shuttle mailbox, as shown and described.

DESCRIPTION

FIG. 1 is a front view of a space shuttle mailbox showing our new design;

FIG. 2 is a rear view thereof;

FIG. 3 is a left side view thereof;

FIG. 4 is a right side view thereof;

FIG. 5 is a top view thereof; and,

FIG. 6 is a bottom view thereof.

The broken lines shown in the drawings represent portions of the space shuttle mailbox that form no part of the claimed design.

1 Claim, 3 Drawing Sheets

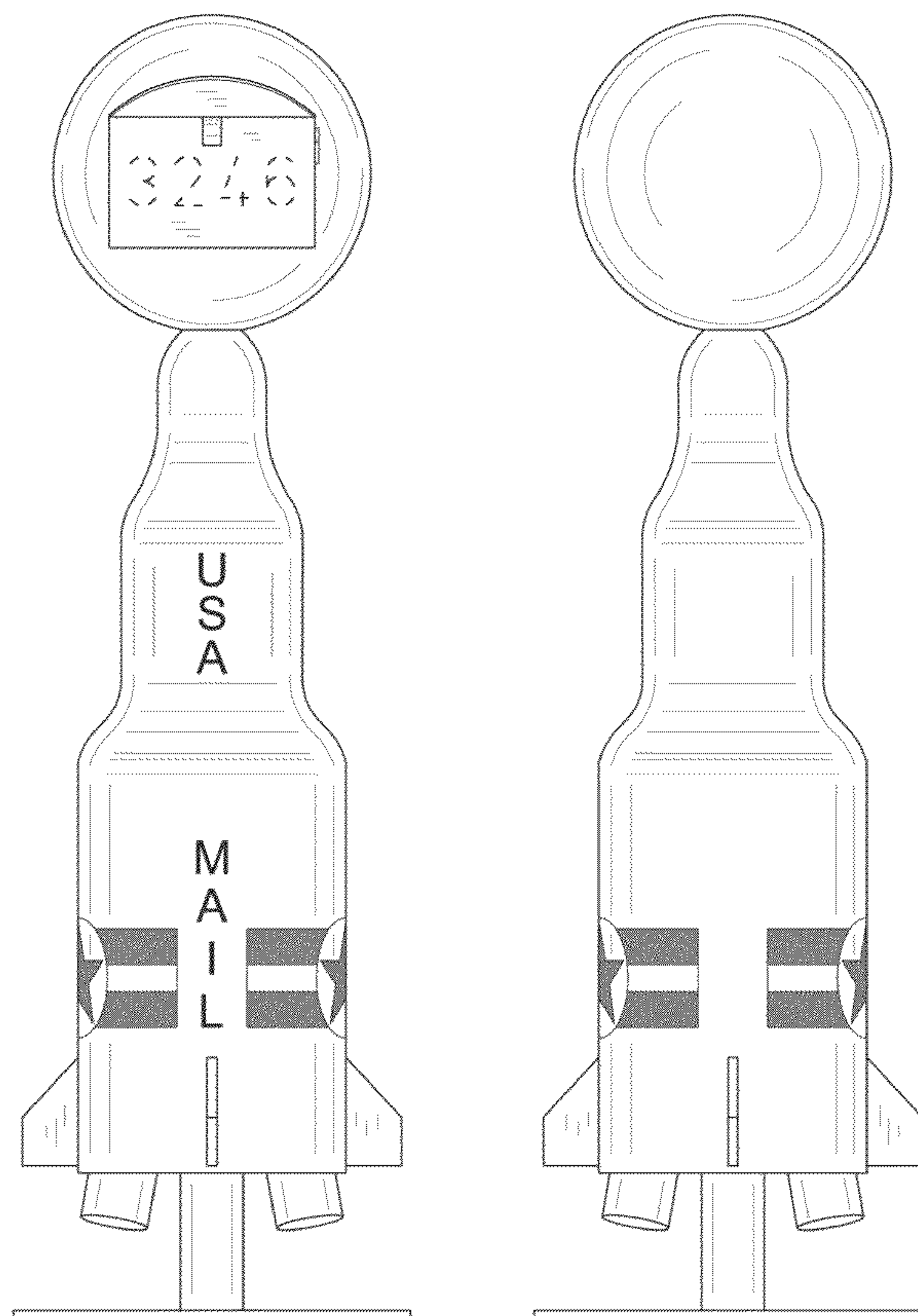




FIG. 1

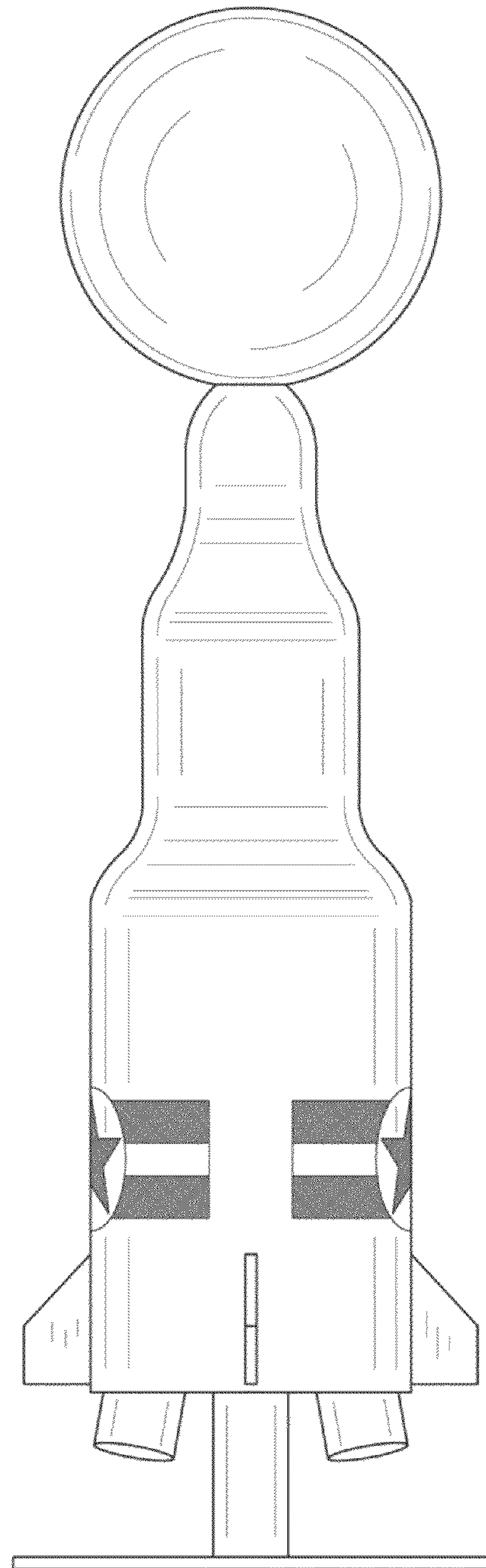


FIG. 2

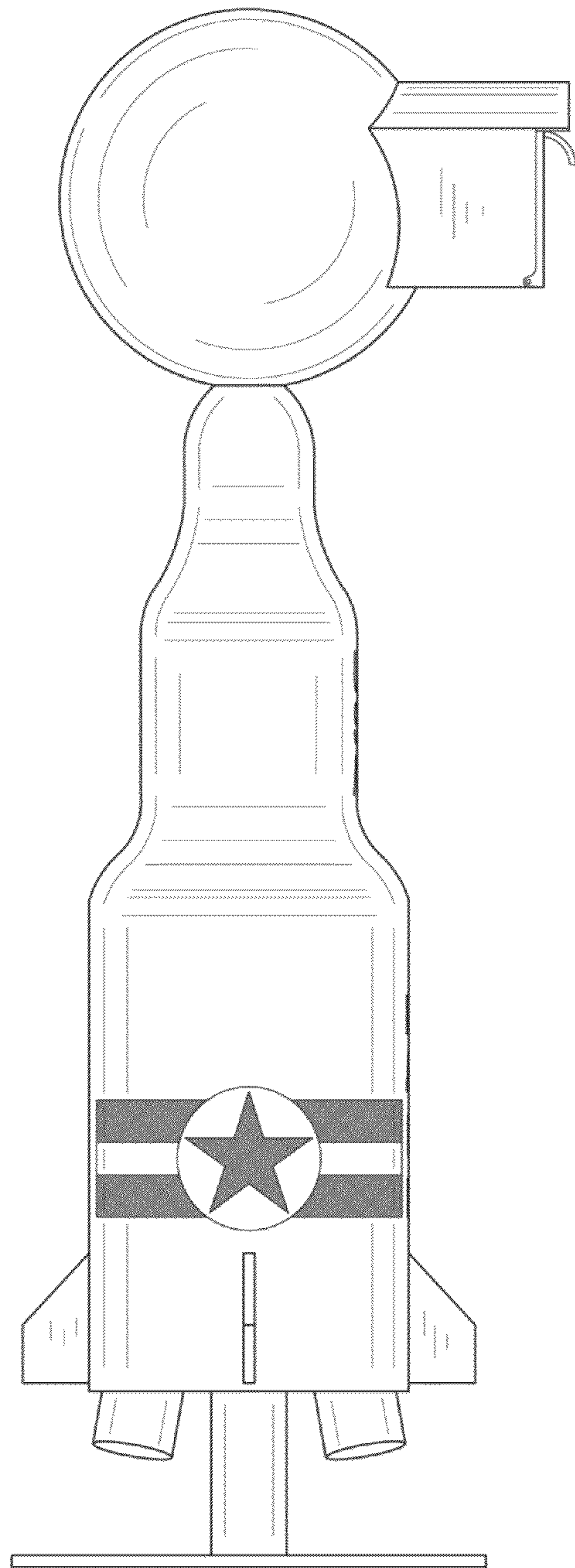


FIG. 3

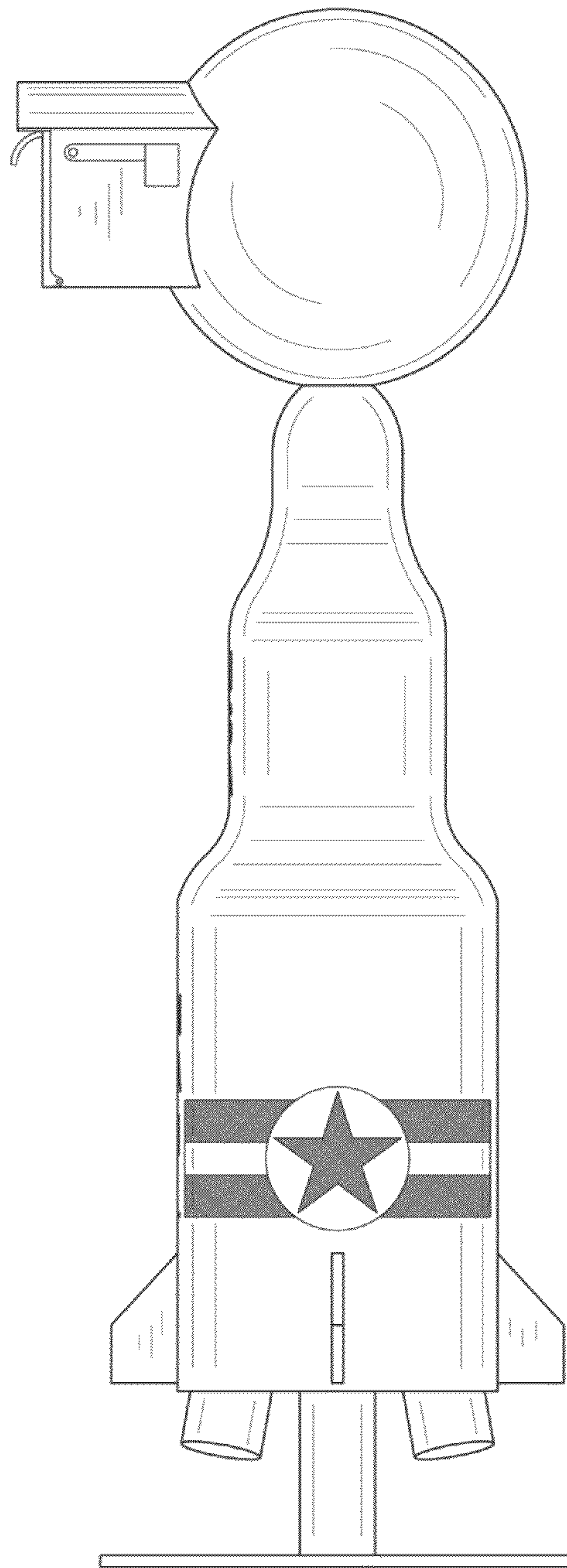


FIG. 4

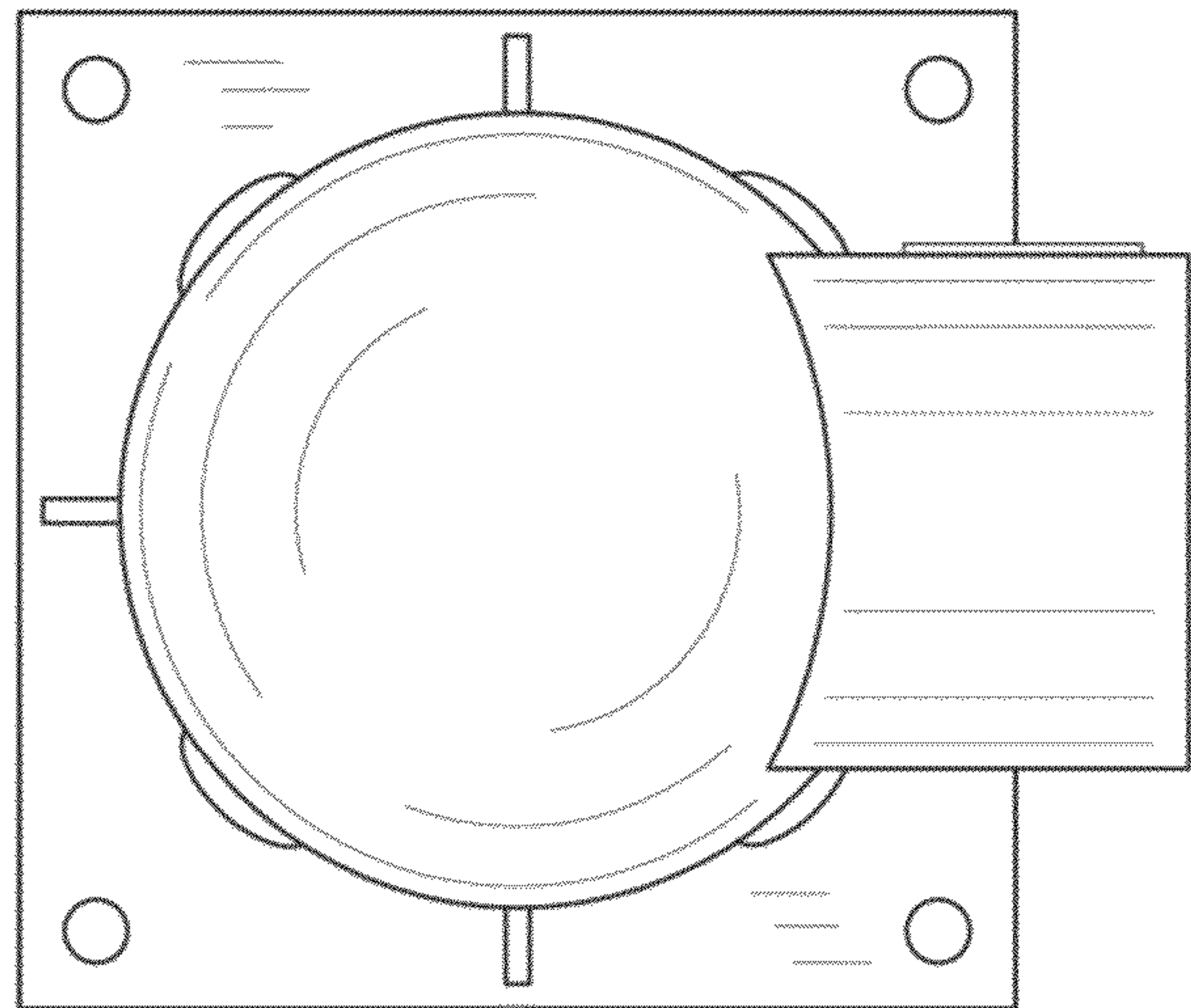


FIG. 5

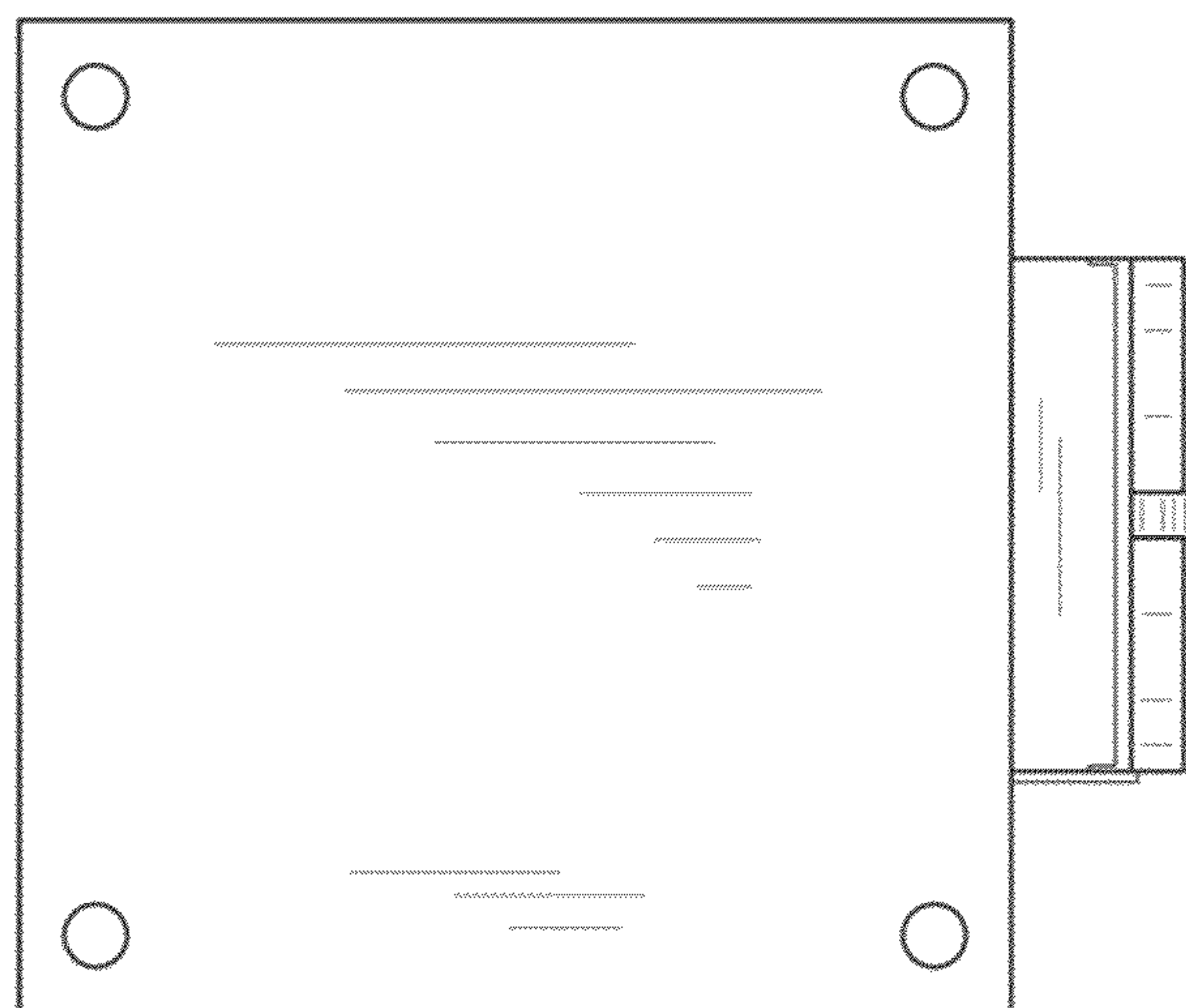


FIG. 6