

US00D690073S

(12) **United States Design Patent**  
**Murphy**

(10) **Patent No.:** **US D690,073 S**

(45) **Date of Patent:** **\*\* Sep. 17, 2013**

(54) **ADJUSTABLE MONUMENT FRAME WITH SLIDE ON ACCESSORIES**

(76) Inventor: **Mark Bernard Murphy**, Atkinson, IL (US)

(\*\*) Term: **14 Years**

(21) Appl. No.: **29/425,522**

(22) Filed: **Jun. 24, 2012**

(51) **LOC (9) Cl.** ..... **25-03**

(52) **U.S. Cl.**  
USPC ..... **D99/20**; D99/17

(58) **Field of Classification Search**  
USPC ..... D99/17, 20, 21, 24; 27/1, 4; D6/389, D6/556, 512; 5/99.1, 113, 127, 129; 182/128; D20/41; D32/55; 248/220.21; 52/651.1; 211/195; D10/27; 220/7

See application file for complete search history.

(56) **References Cited**

U.S. PATENT DOCUMENTS

257,859	A *	5/1882	Gent	52/102
732,037	A *	6/1903	Best	294/167
873,279	A *	12/1907	Weber-Illig	47/41.01
D55,064	S *	5/1920	Lutz	D99/20
D81,534	S *	7/1930	Groll	D99/24
1,828,088	A *	10/1931	Robinson	220/683
1,969,656	A *	8/1934	Marlowe	52/651.1
2,195,906	A *	4/1940	Uecker et al.	52/651.1
2,287,907	A *	6/1942	Schettler, Jr.	5/98.1
D207,706	S *	5/1967	Myers	D6/512
3,517,828	A *	6/1970	Hunter	211/194

3,946,876	A *	3/1976	Jay	211/60.1
4,004,653	A *	1/1977	Hass	182/128
4,064,999	A *	12/1977	Young	414/11
4,087,872	A *	5/1978	Smirle	5/611
4,095,387	A *	6/1978	Loewe	52/645
4,922,653	A *	5/1990	Stone	47/45
5,242,255	A *	9/1993	Gleffe et al.	414/403
5,906,014	A *	5/1999	Zhuang	5/99.1
6,279,763	B1 *	8/2001	Bush	211/195
6,721,968	B2 *	4/2004	Tolleson	5/2.1
2008/0289284	A1 *	11/2008	Anwar et al.	52/633

\* cited by examiner

*Primary Examiner* — Paula Greene

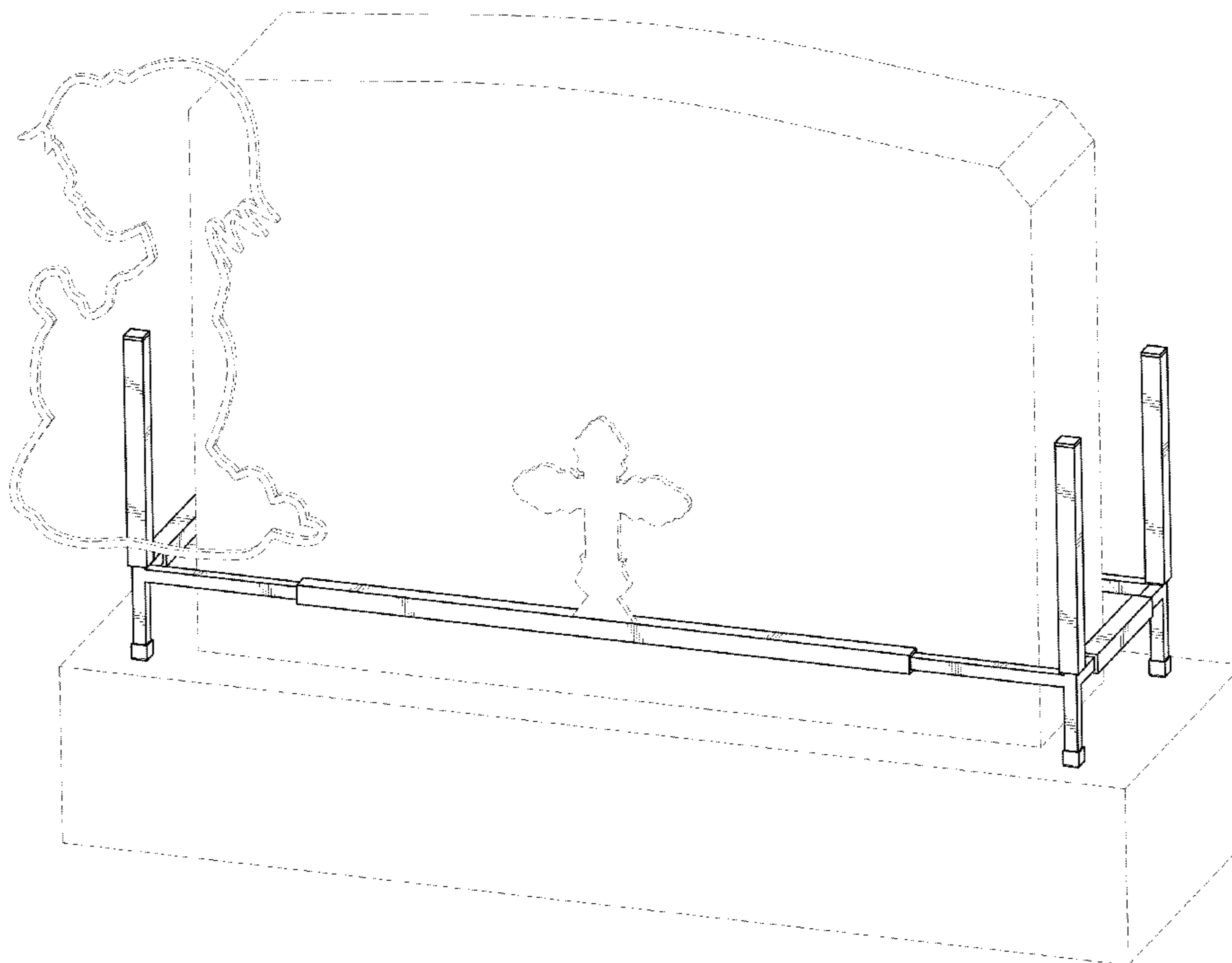
(57) **CLAIM**

I claim the ornamental design for an adjustable monument frame with slide on accessories, as shown and described.

**DESCRIPTION**

FIG. 1 is a perspective view of the adjustable monument frame with slide on accessories showing my new design  
FIG. 2 is a front view thereof;  
FIG. 3 is a rear view thereof;  
FIG. 4 is a right view thereof;  
FIG. 5 is a left view thereof;  
FIG. 6 is a top view thereof;  
FIG. 7 is a bottom view thereof; and,  
FIG. 8 is a view to exemplify how it would be placed on a headstone and decorated. Portions as shown with broken lines do not form any part of the claimed design.

**1 Claim, 7 Drawing Sheets**



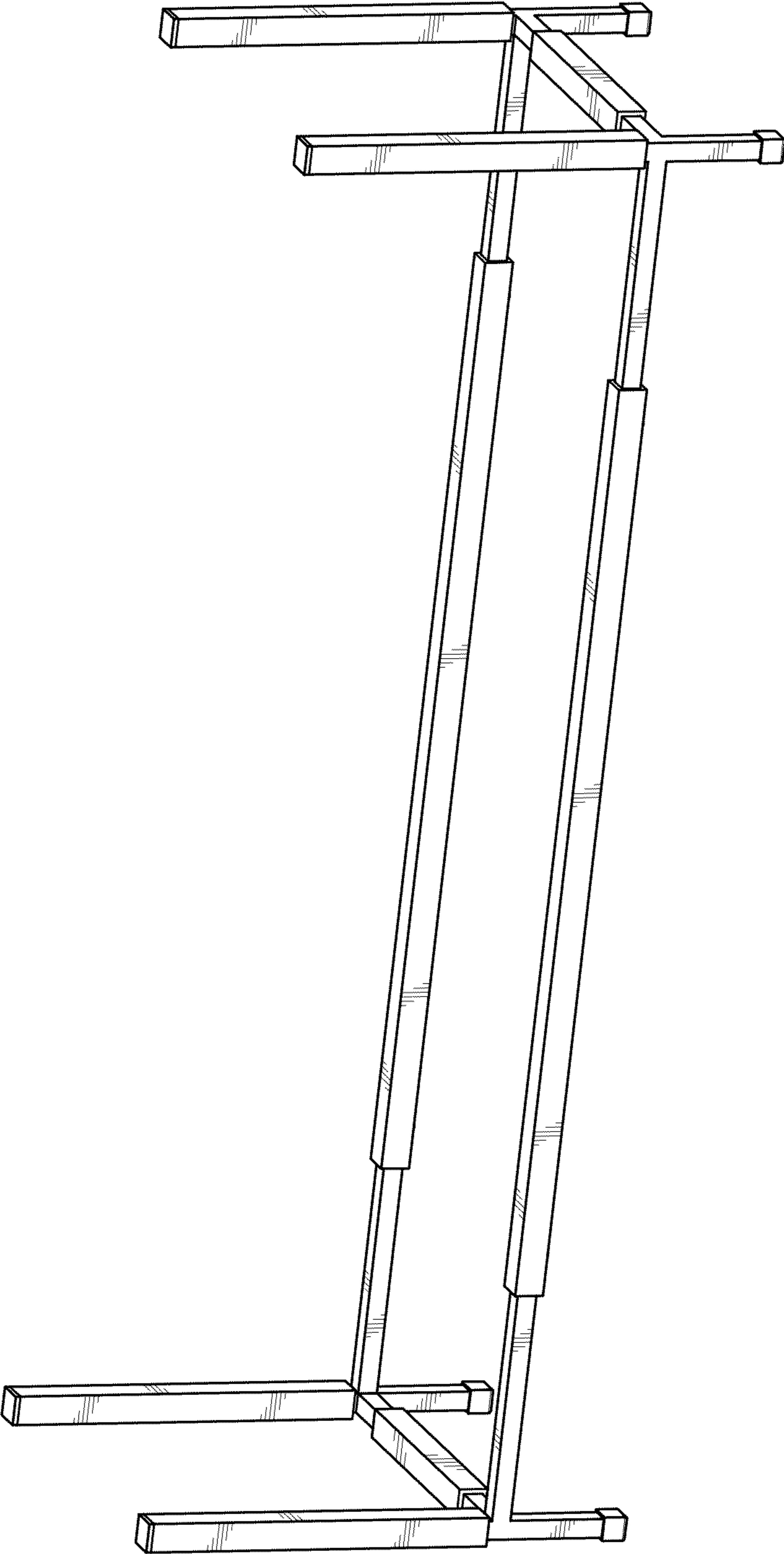


FIG. 1

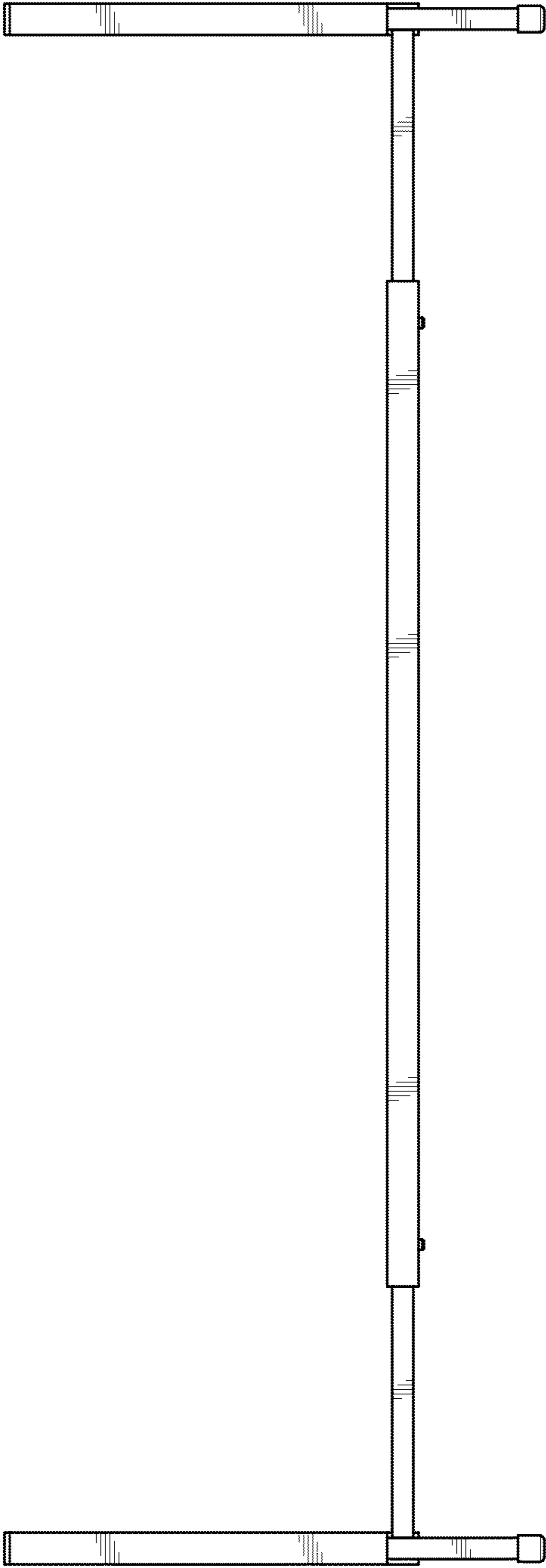


FIG. 2

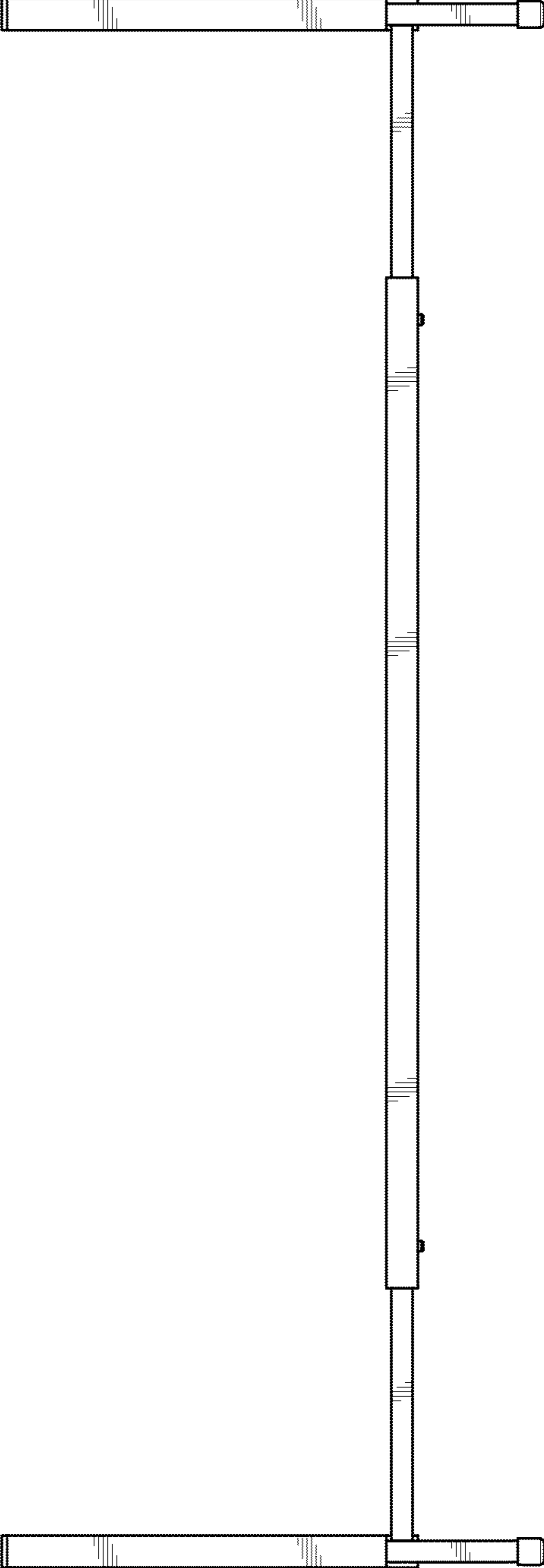


FIG. 3

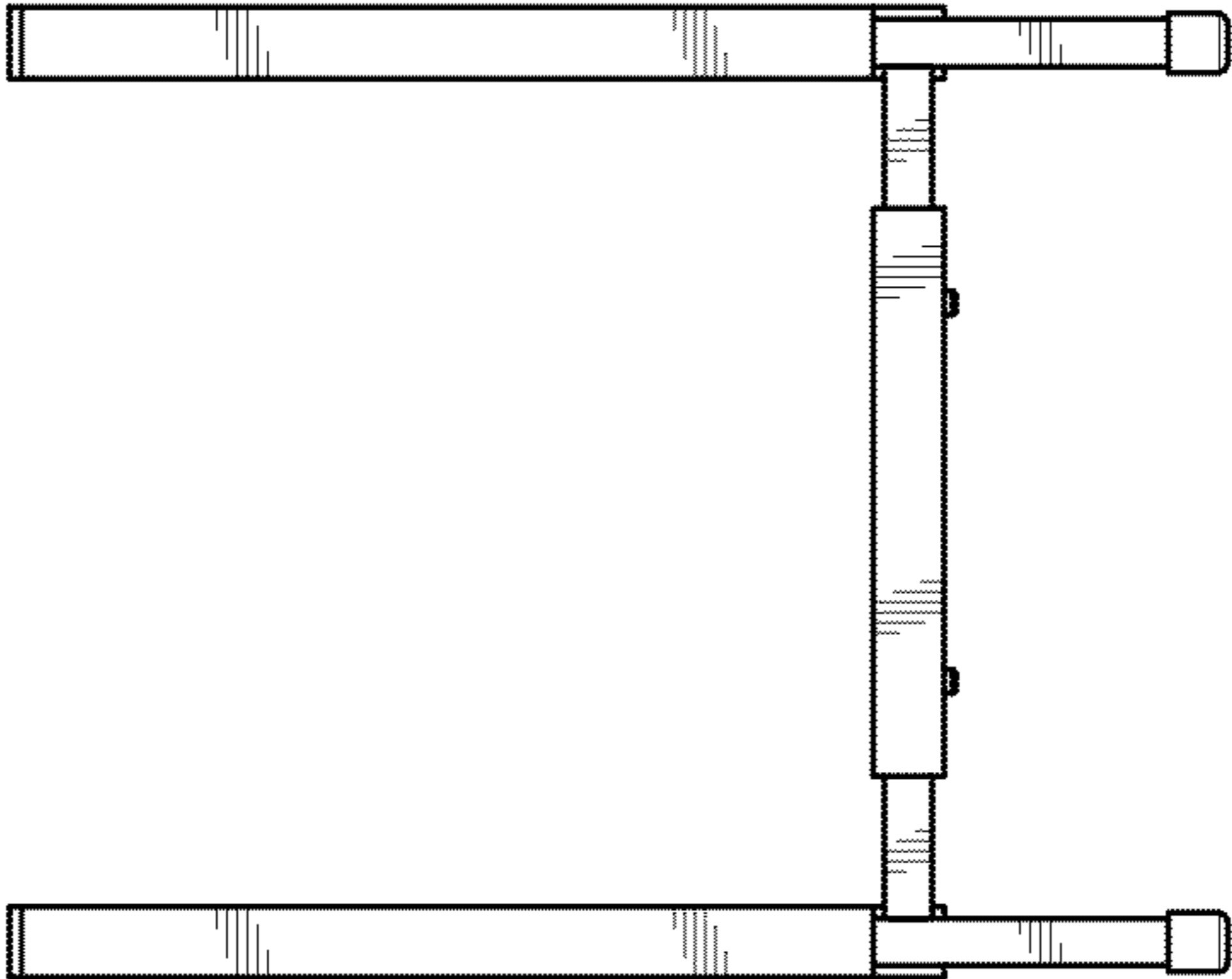


FIG. 5

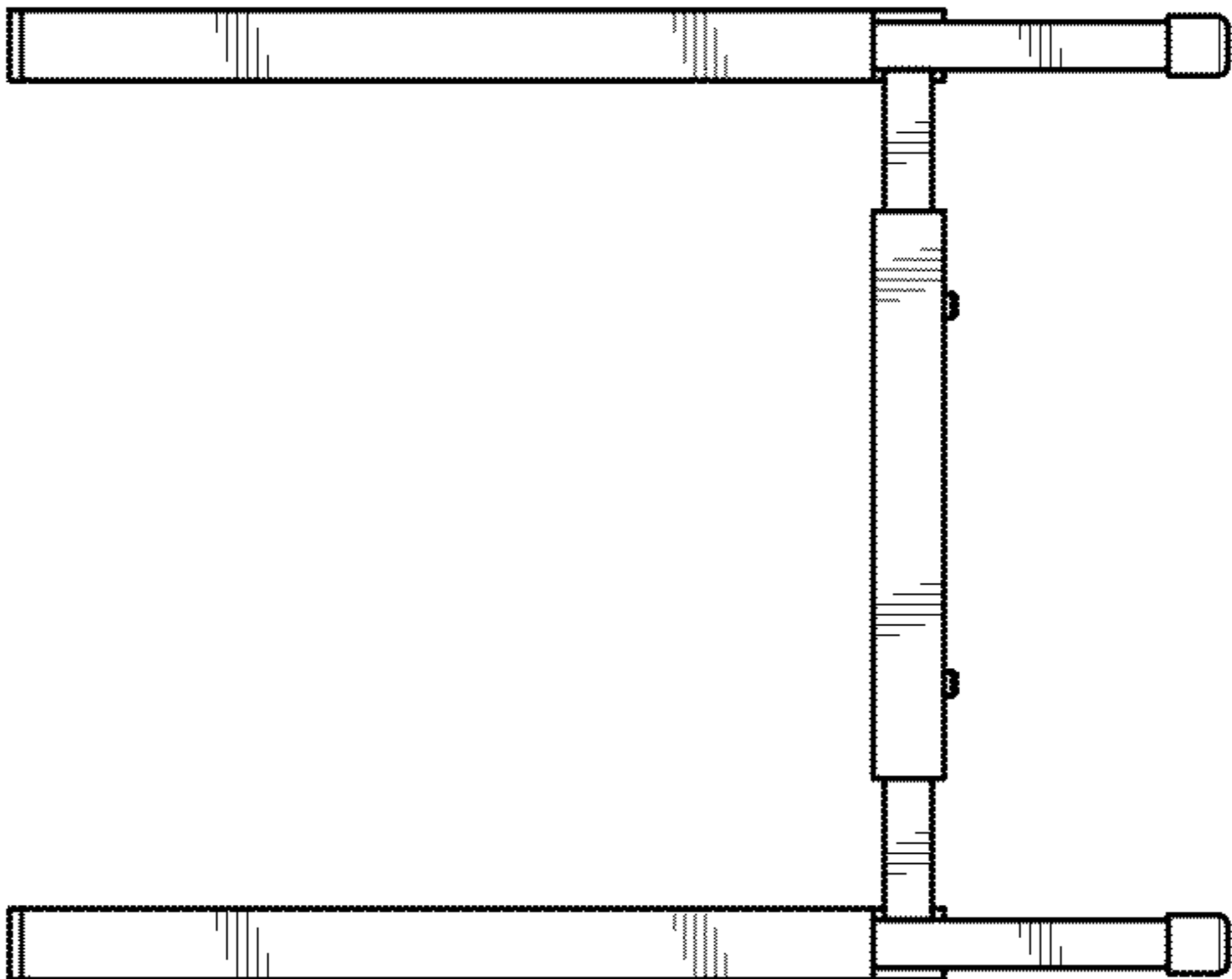


FIG. 4

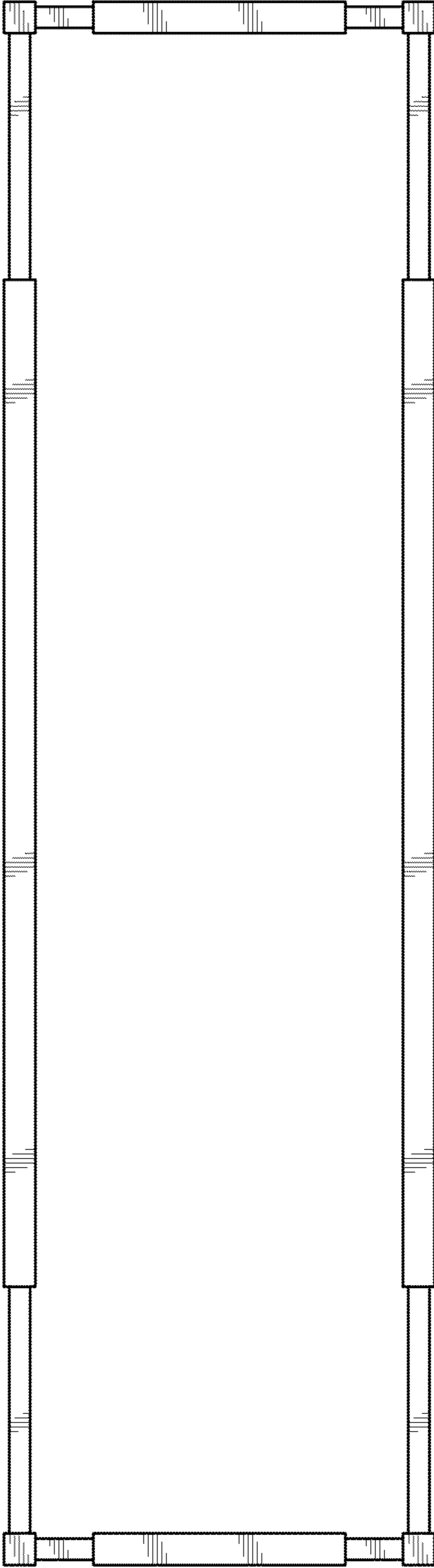


FIG. 6

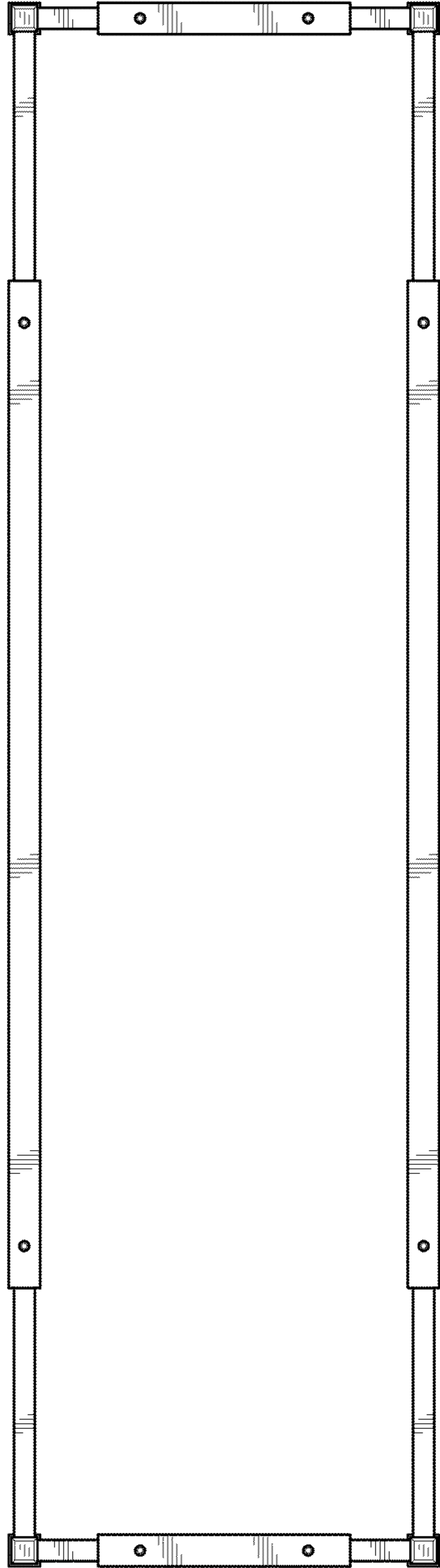


FIG. 7

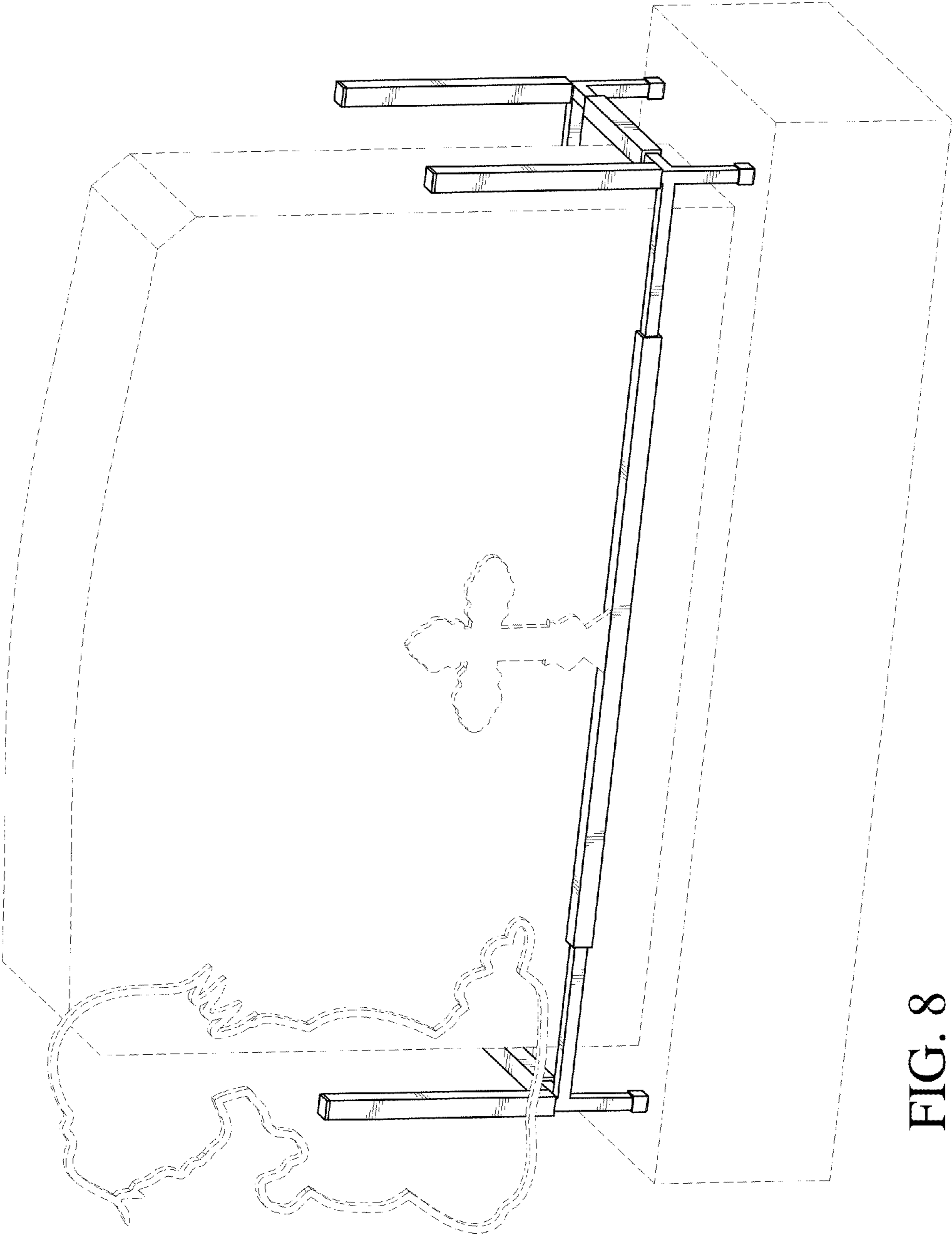


FIG. 8