



US00D690070S

(12) **United States Design Patent**
Van Es

(10) **Patent No.:** **US D690,070 S**

(45) **Date of Patent:** **** *Sep. 17, 2013**

(54) **ROLLING CART**

(56) **References Cited**

(71) Applicant: **Anton Van Es**, Beamsville, CA (US)

U.S. PATENT DOCUMENTS

(72) Inventor: **Anton Van Es**, Beamsville, CA (US)

D182,483	S	*	4/1958	Skinner	D34/21
4,976,360	A	*	12/1990	Zucker et al.	211/186
D315,459	S	*	3/1991	Young et al.	D6/465
D491,330	S	*	6/2004	Violo	D34/21
D526,104	S	*	8/2006	Van Es	D34/21
D526,105	S	*	8/2006	Van Es	D34/21
D527,857	S	*	9/2006	Van Es	D34/21

(*) Notice: This patent is subject to a terminal disclaimer.

(**) Term: **14 Years**

* cited by examiner

(21) Appl. No.: **29/444,286**

Primary Examiner — Cynthia Ramirez

(22) Filed: **Jan. 29, 2013**

(57) **CLAIM**

The ornamental design for a rolling cart, as shown and described.

Related U.S. Application Data

DESCRIPTION

(62) Division of application No. 29/420,102, filed on May 4, 2012.

(51) **LOC (9) Cl.** **12-02**

(52) **U.S. Cl.**
USPC **D34/21**

(58) **Field of Classification Search**
USPC D34/12-27; 280/47.19, 47.24, 79.11;
248/302, 303; 211/13.1, 74, 60.1; D6/464,
D6/465, 463, 411

See application file for complete search history.

FIG. 1 is a left side, top and front perspective view of the rolling cart of the present design.

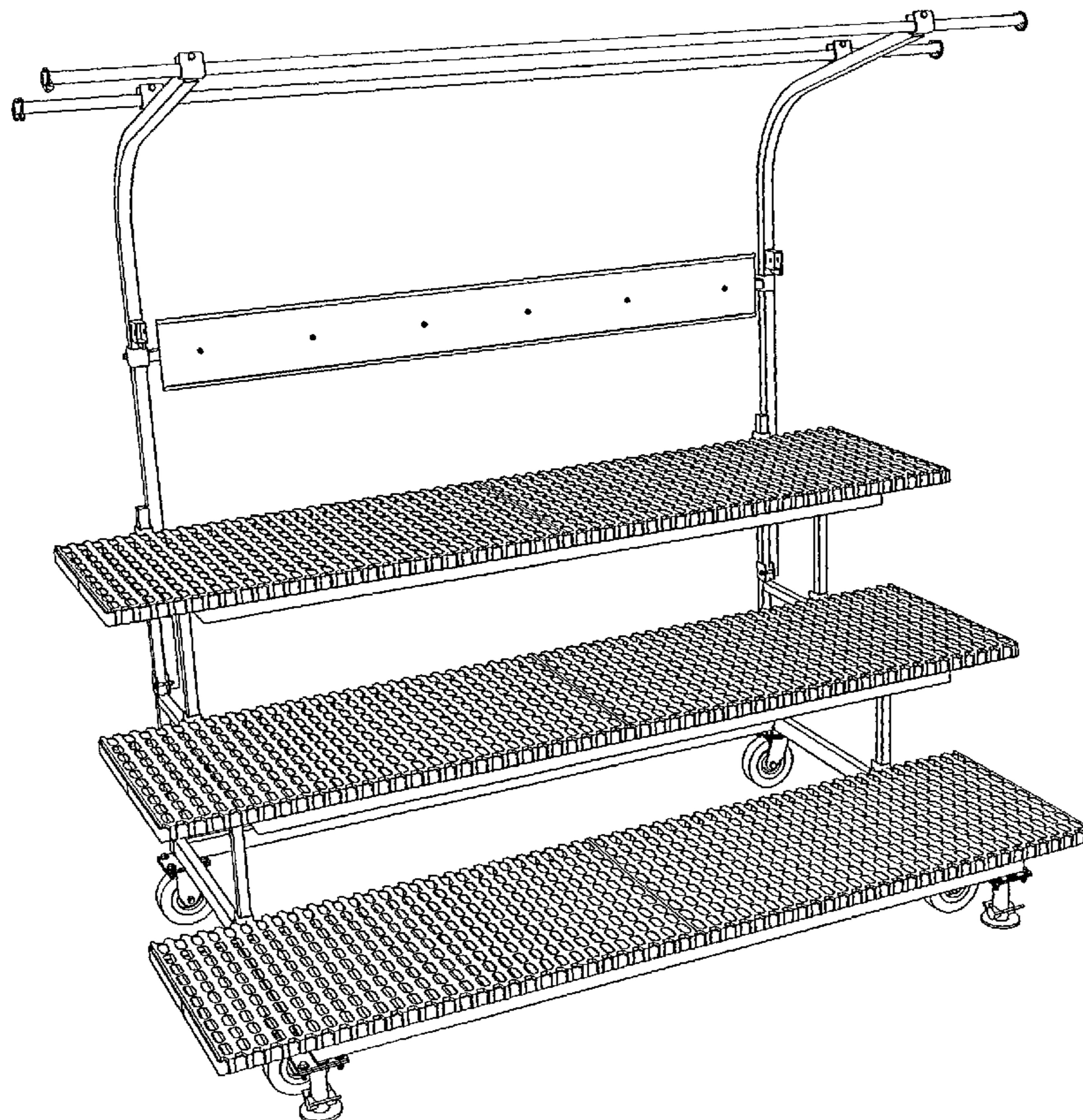
FIG. 2 is a front plan view of the rolling cart of the present design shown in FIG. 1.

FIG. 3 is a right end elevational view of the rolling cart of the present design shown in FIG. 1.

FIG. 4 is a top plan view of the rolling cart of the present design shown in FIG. 1; and,

FIG. 5 is a rear plan view of the rolling cart of the present design shown in FIG. 1.

1 Claim, 5 Drawing Sheets



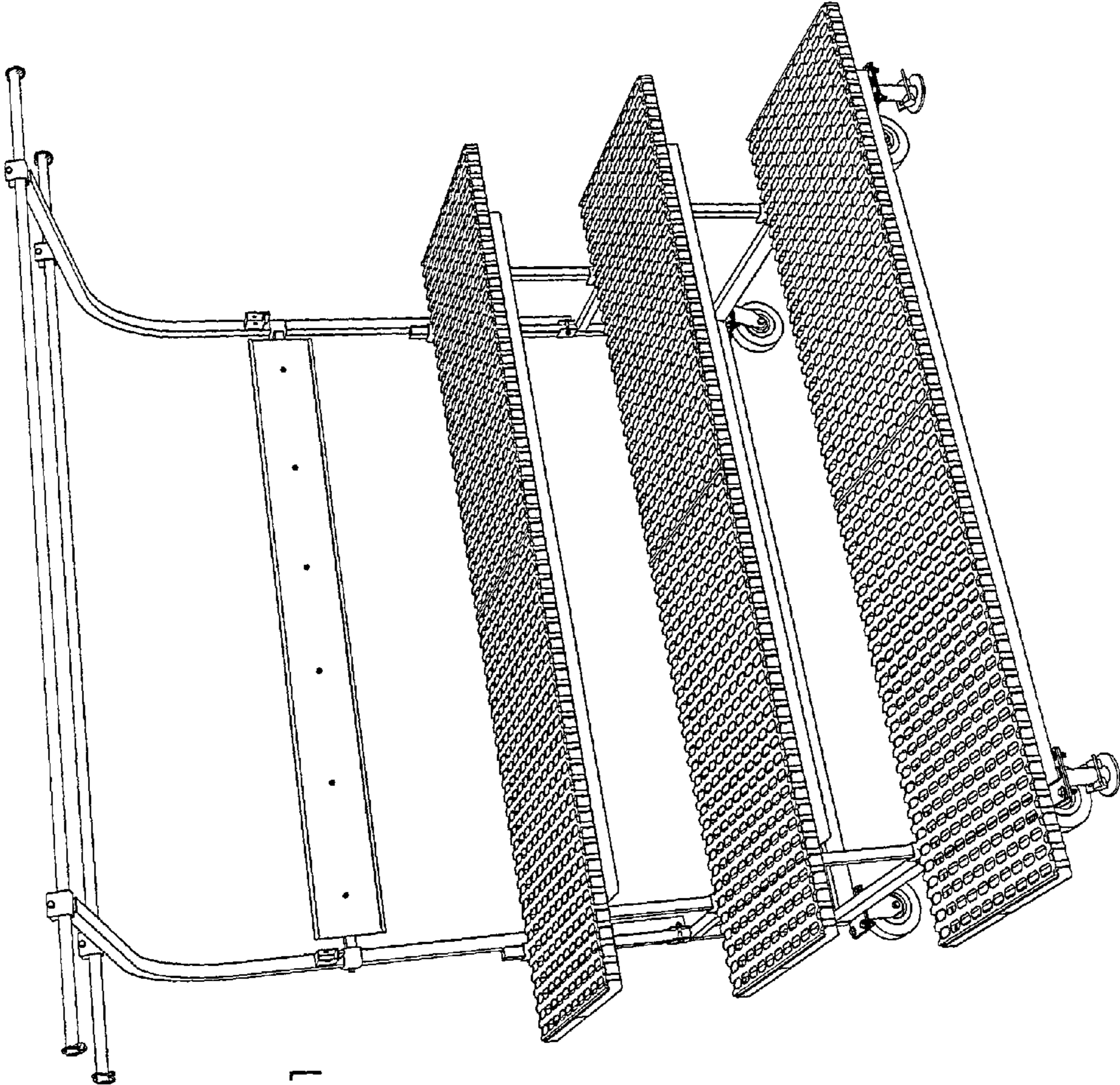


FIGURE 1

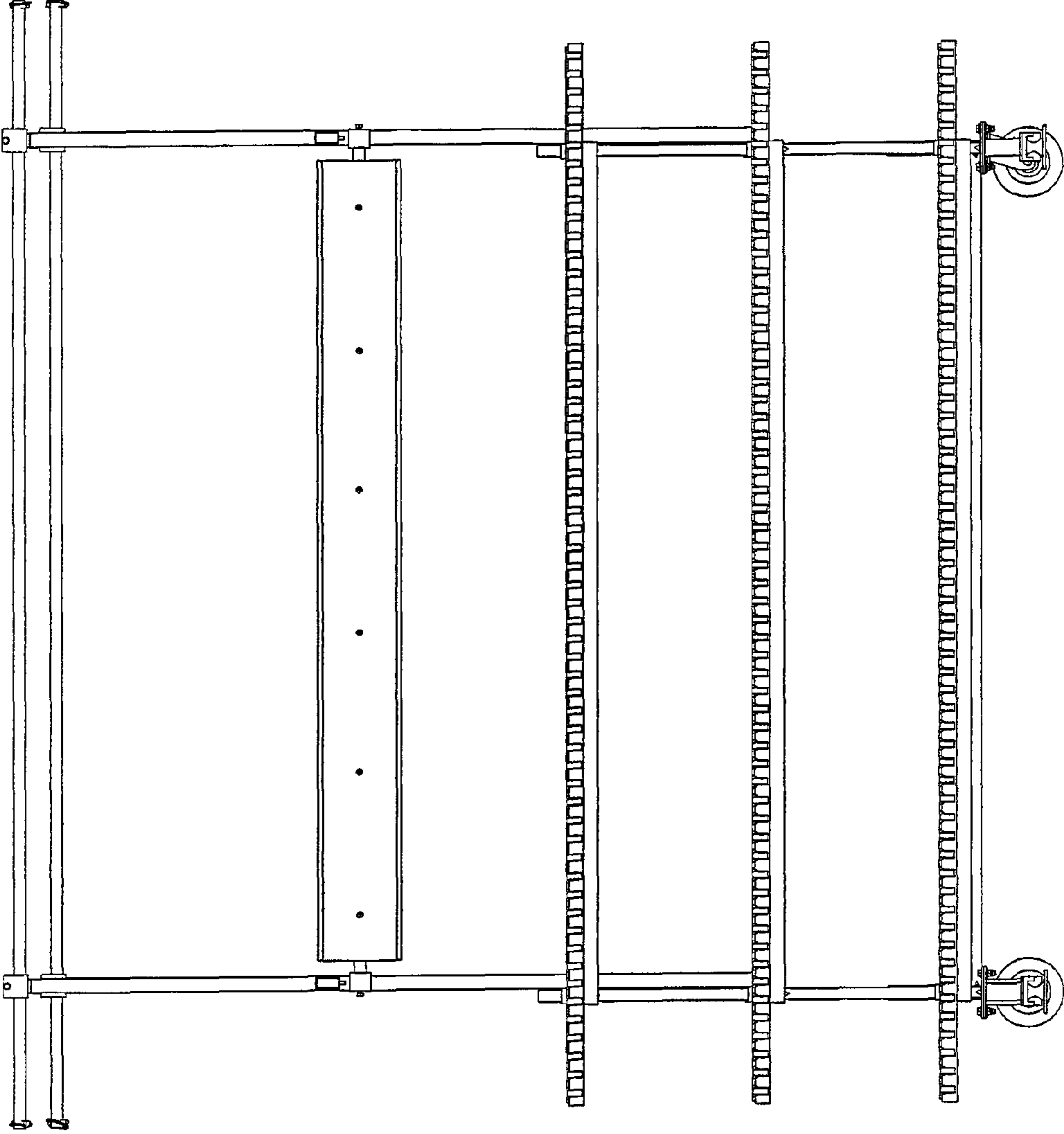


FIGURE 2

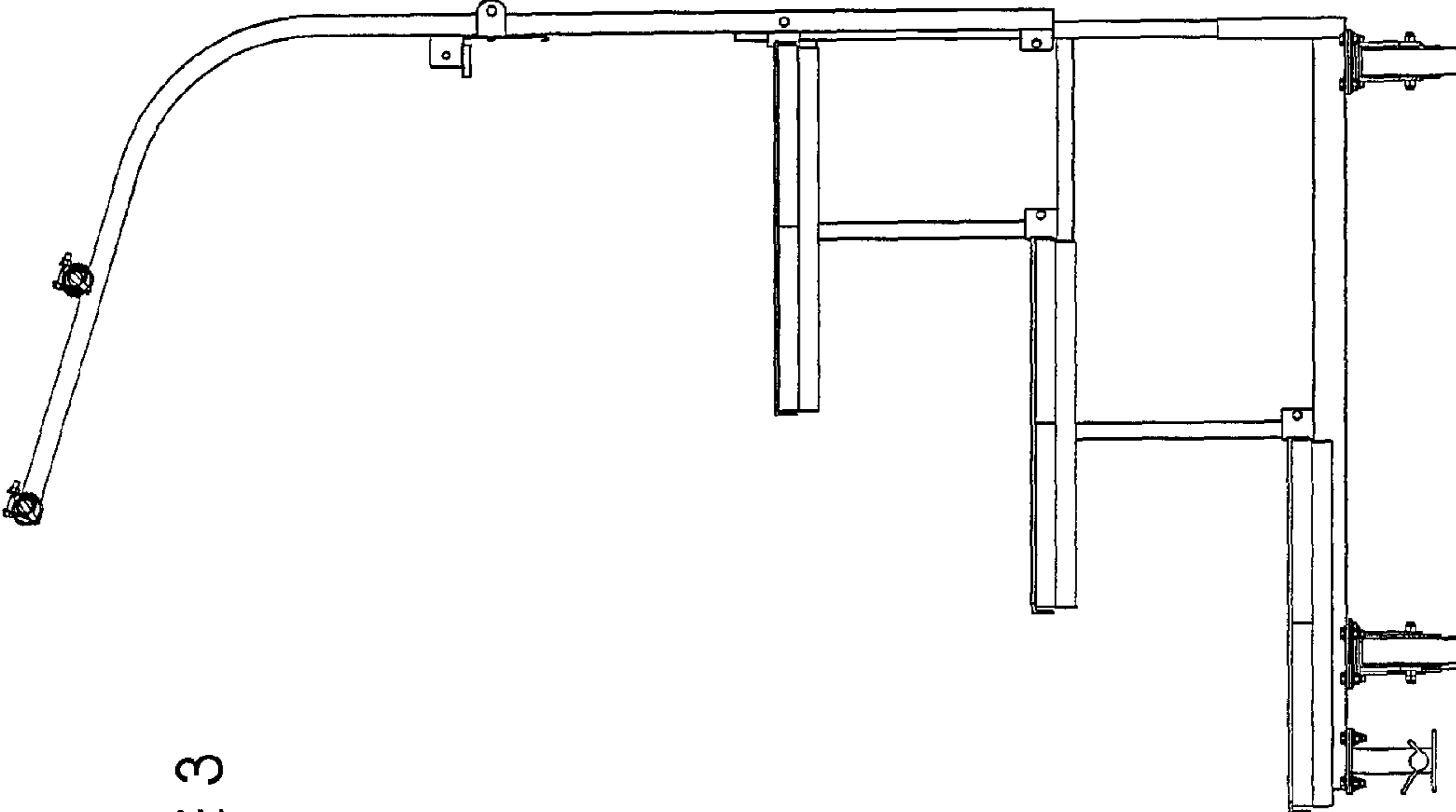
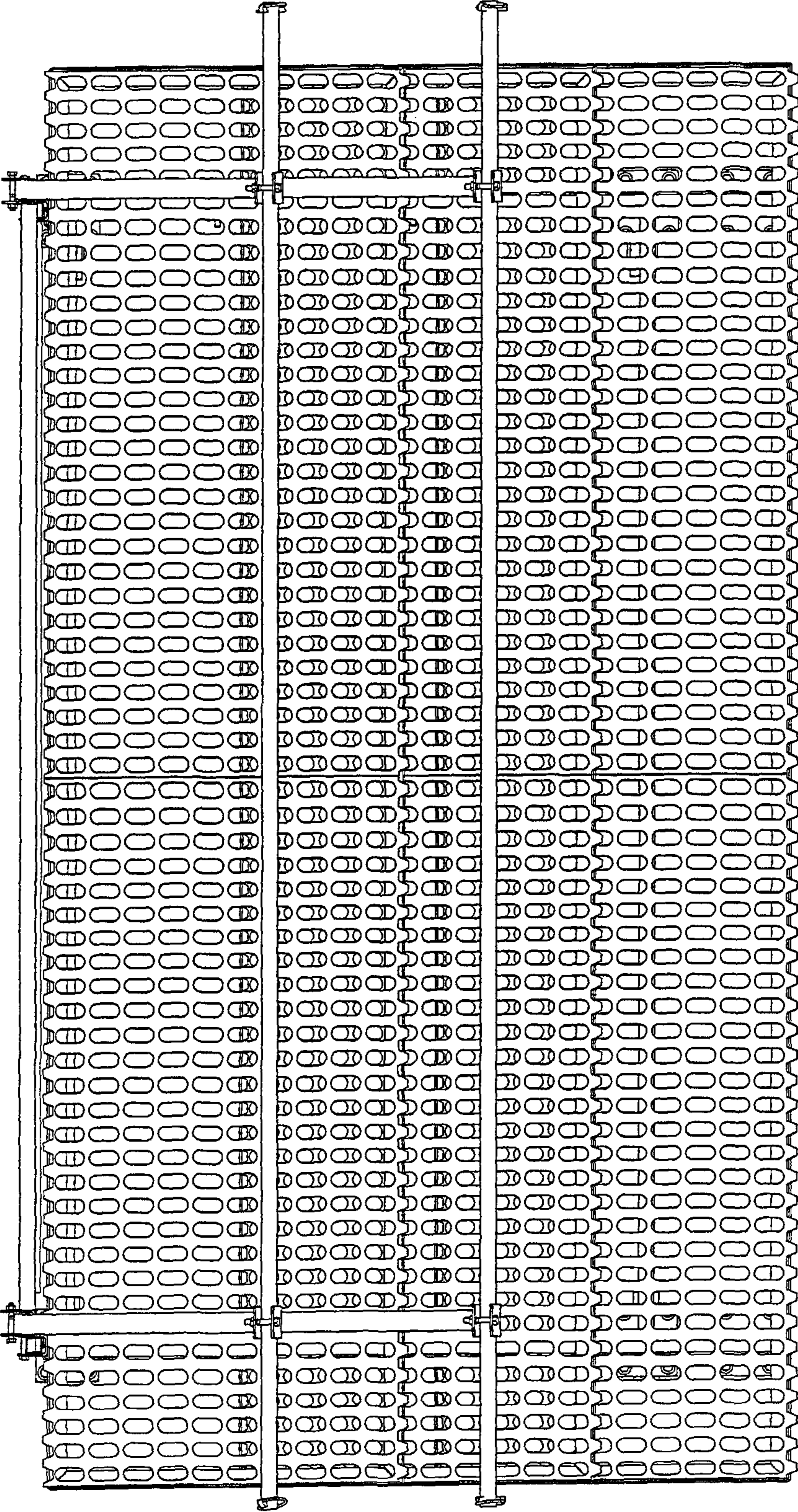


FIGURE 3

FIGURE 4



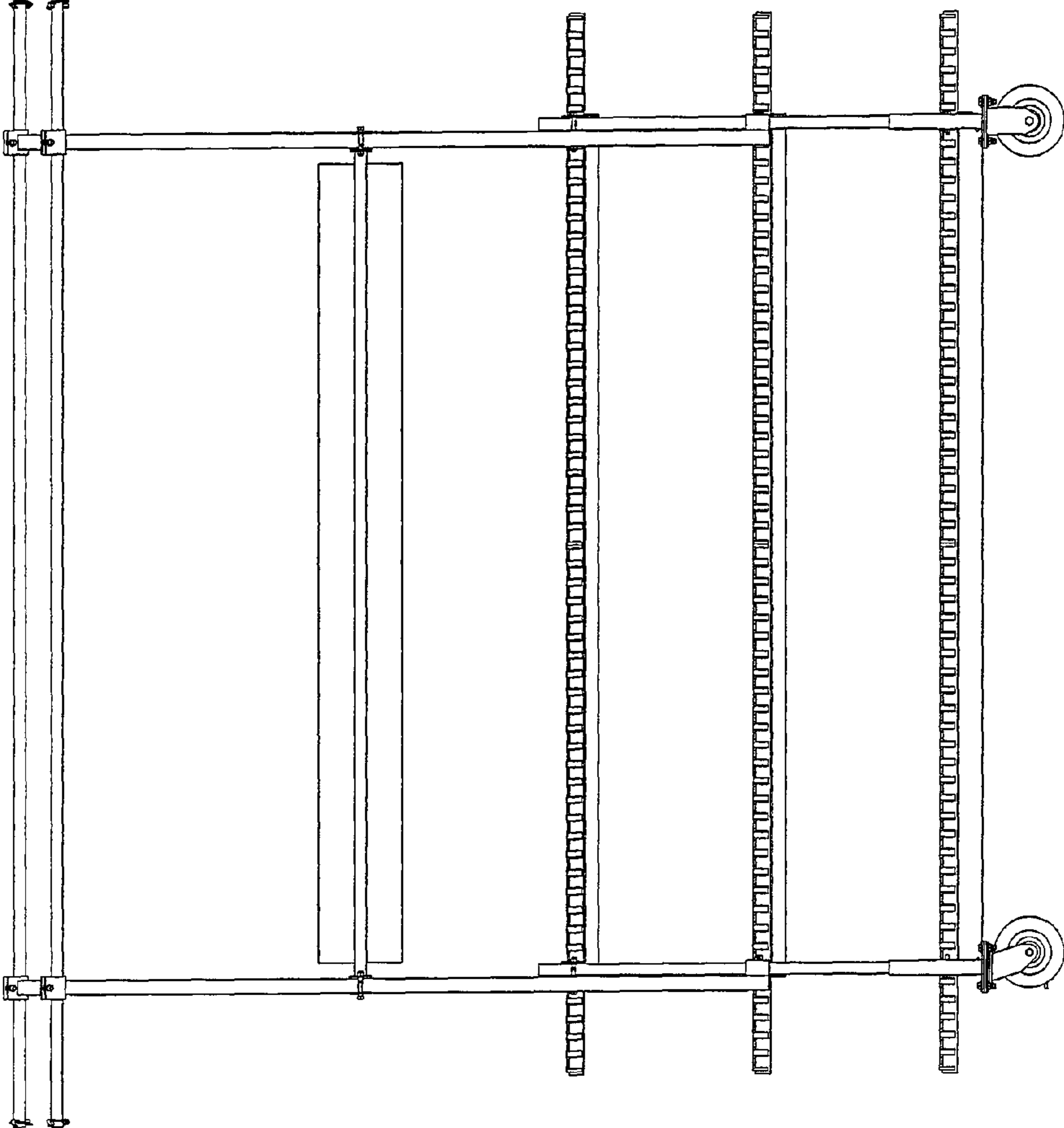


FIGURE 5