



US00D690068S

(12) **United States Design Patent**
Gringer et al.

(10) **Patent No.:** **US D690,068 S**

(45) **Date of Patent:** **** Sep. 17, 2013**

(54) **BUCKET CLAMP**

D612,120 S * 3/2010 Panfili et al. D32/54
D643,984 S * 8/2011 Crawley D32/54
D667,724 S * 9/2012 Mangano D8/395

(71) Applicant: **Allway Tools, Inc.**, Bronx, NY (US)

* cited by examiner

(72) Inventors: **Donald Gringer**, New York, NY (US);
Yuan Fang Cheng, Forest Hills, NY (US)

Primary Examiner — Robin V Webster

(74) *Attorney, Agent, or Firm* — Gottlieb, Rackman & Reisman, P.C.

(73) Assignee: **Allway Tools, Inc.**, Bronx, NY (US)

(**) Term: **14 Years**

(57) **CLAIM**

The ornamental design for a bucket clamp, as shown and described.

(21) Appl. No.: **29/439,956**

(22) Filed: **Dec. 18, 2012**

(51) **LOC (9) Cl.** **07-07**

(52) **U.S. Cl.**
USPC **D32/54**

(58) **Field of Classification Search**
USPC D32/53, 53.1, 54; 220/694-702;
D8/394, 395
See application file for complete search history.

DESCRIPTION

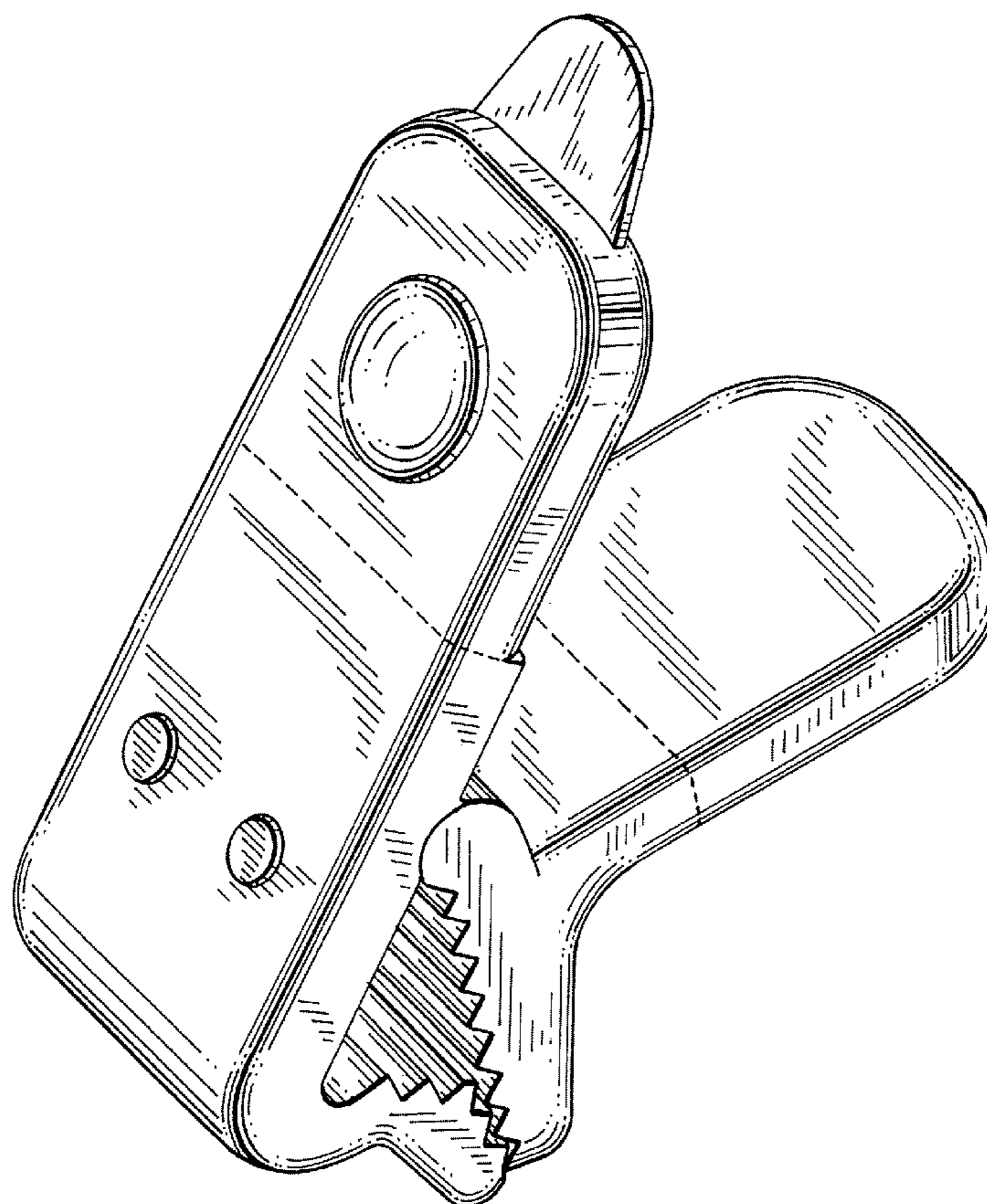
FIG. 1 is a front, top and right side perspective view of the bucket clamp showing our new design;
FIG. 2 is a right side elevational view thereof; the left side elevational view being a mirror image thereof;
FIG. 3 is a top plan view thereof;
FIG. 4 is a front elevational view thereof;
FIG. 5 is a rear elevational view thereof; and,
FIG. 6 is a bottom plan view thereof.
The broken lines in FIGS. 1-6 are for illustrative purposes only and form no part of the claimed design.

(56) **References Cited**

U.S. PATENT DOCUMENTS

D571,179 S * 6/2008 Ahlgren D8/72
D586,060 S * 2/2009 Kahn D32/54
D600,871 S * 9/2009 Keylikhes D32/61

1 Claim, 4 Drawing Sheets



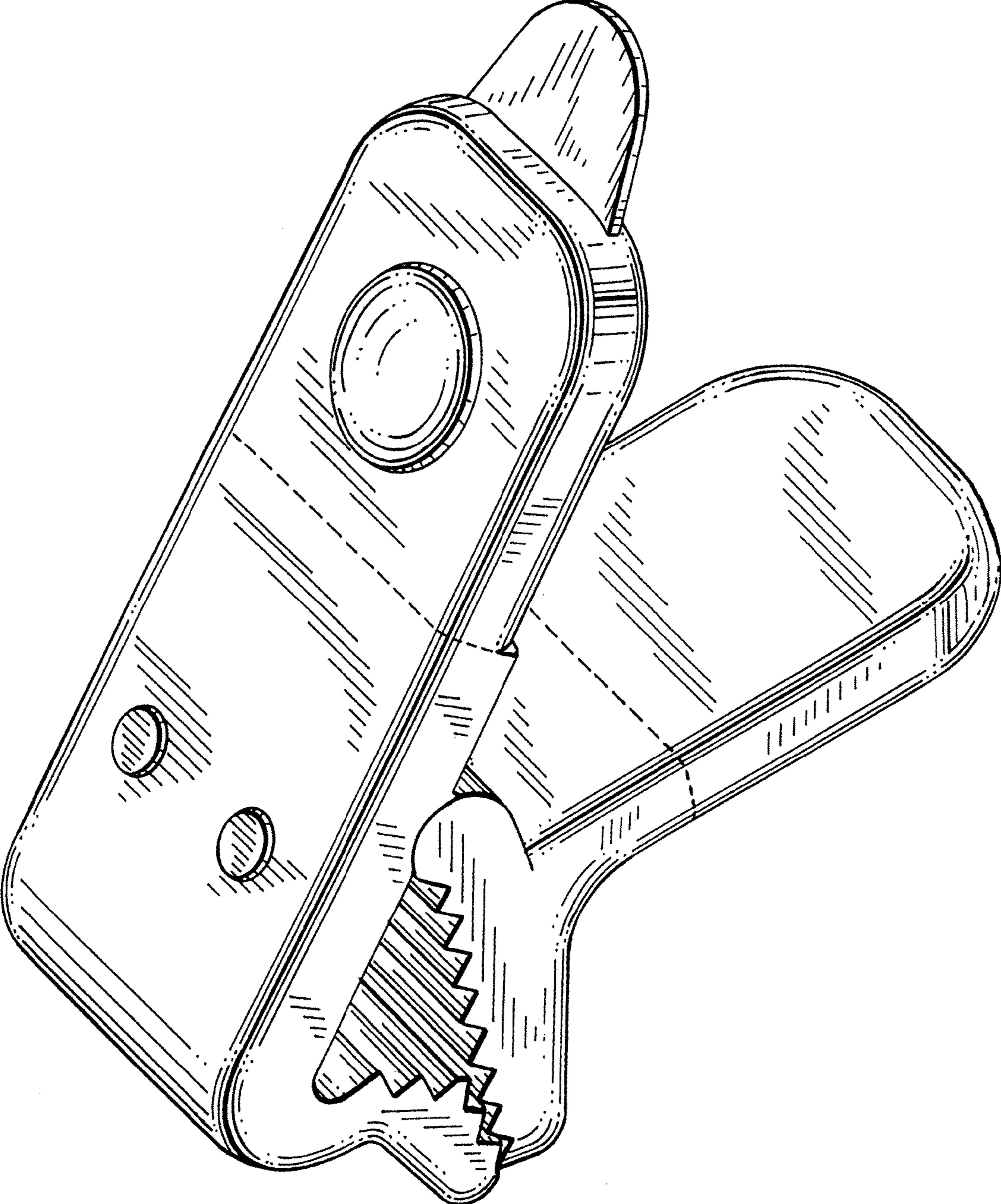


FIG. 1

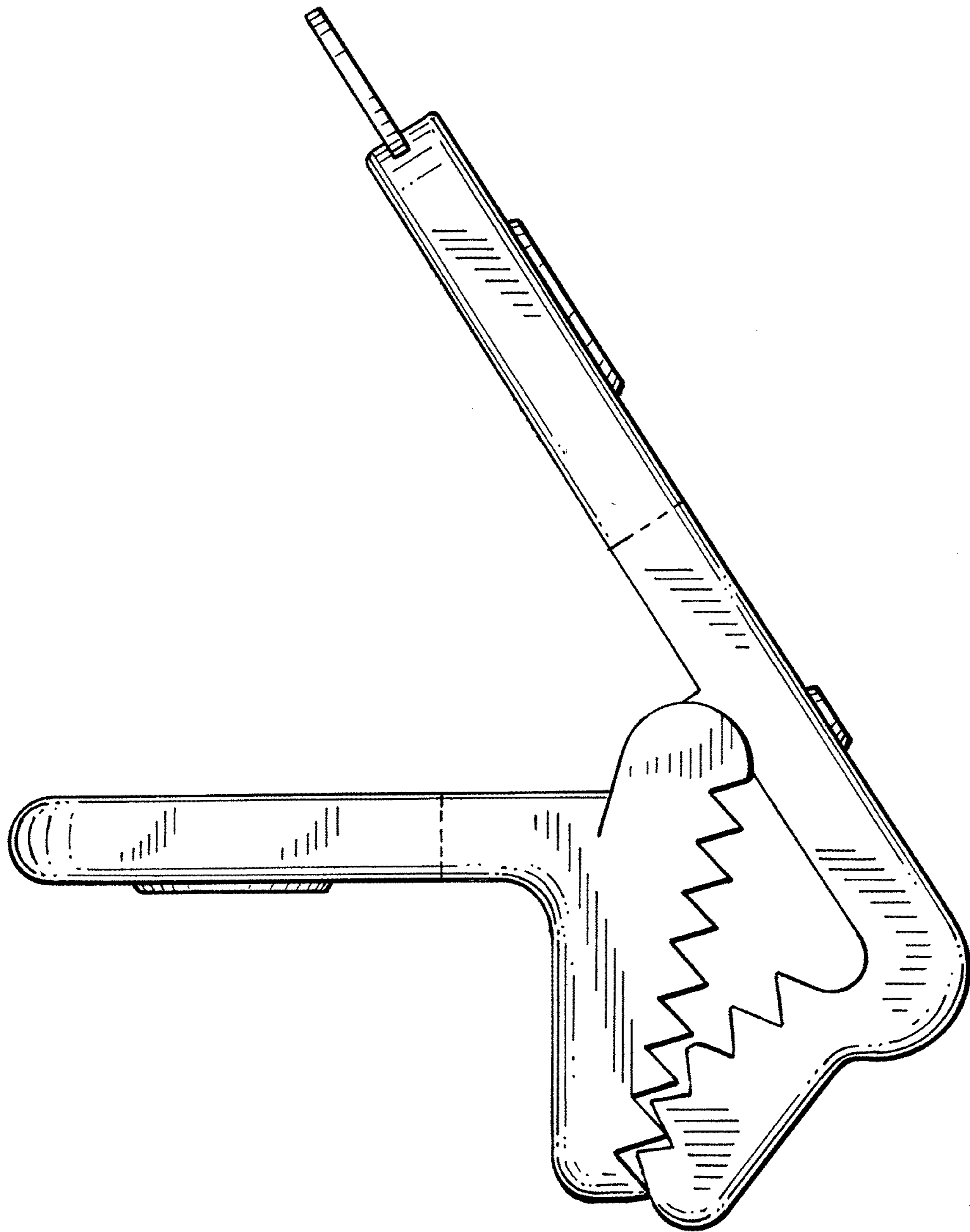


FIG. 2

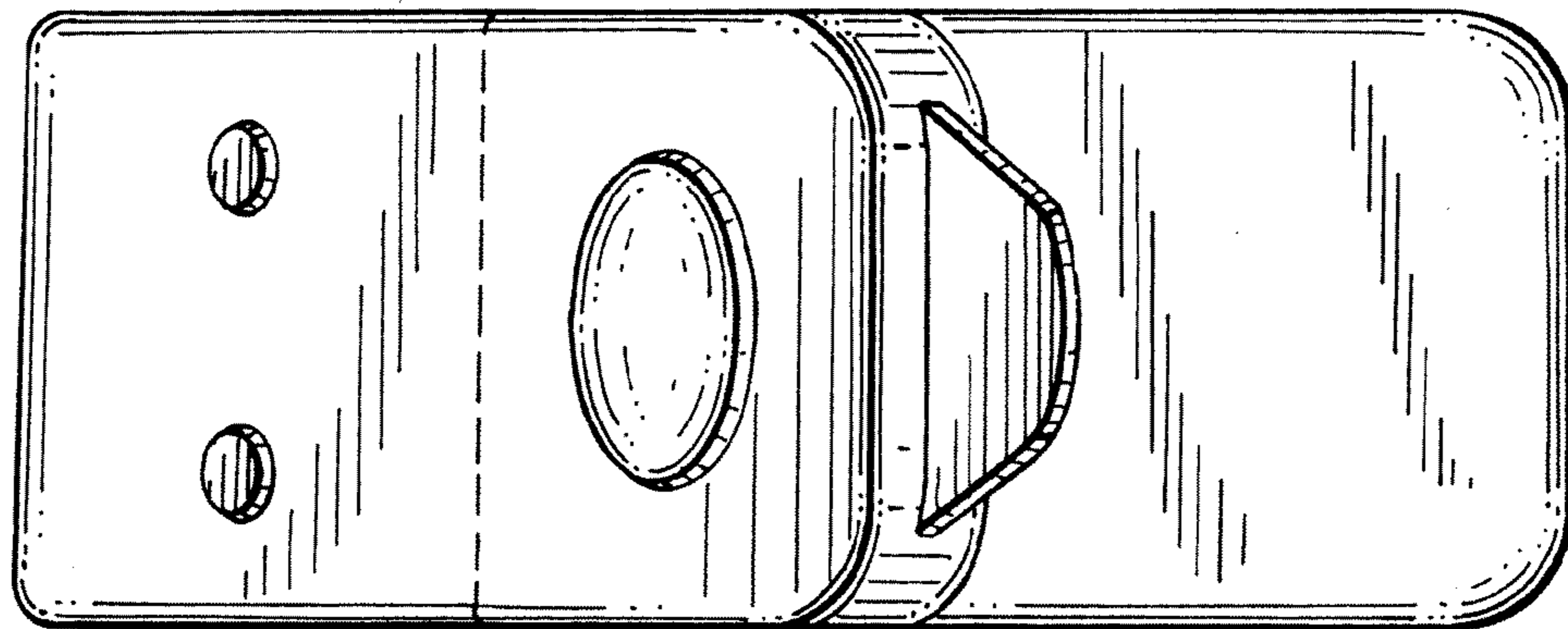


FIG. 3

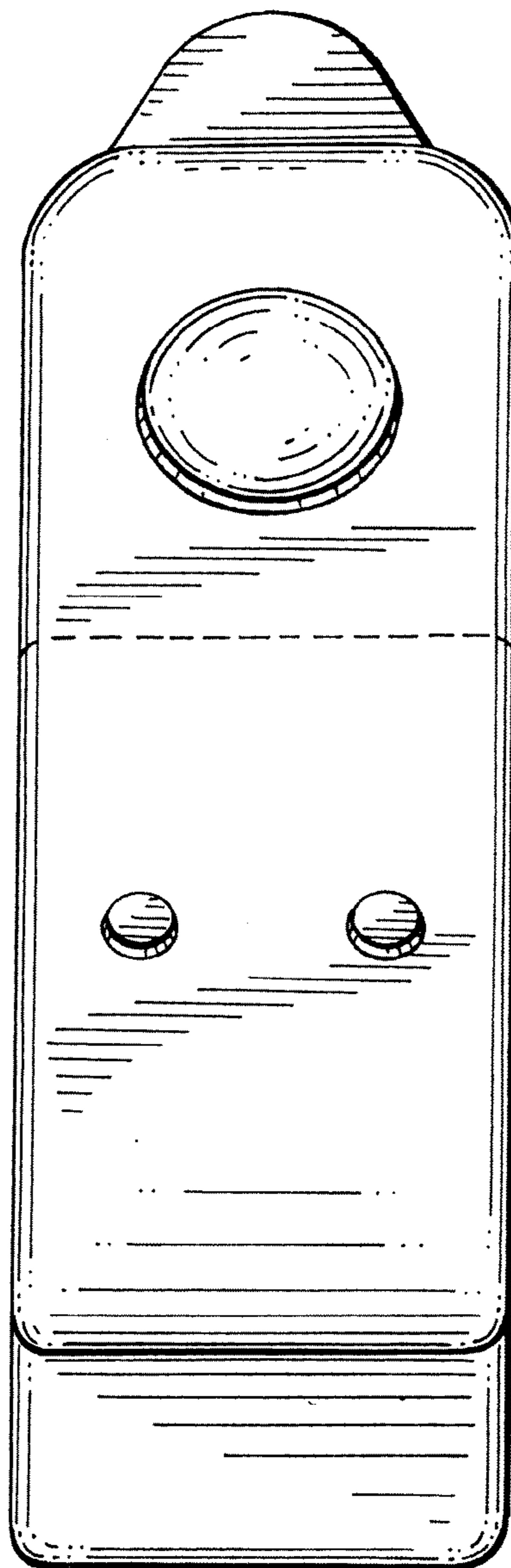


FIG. 4

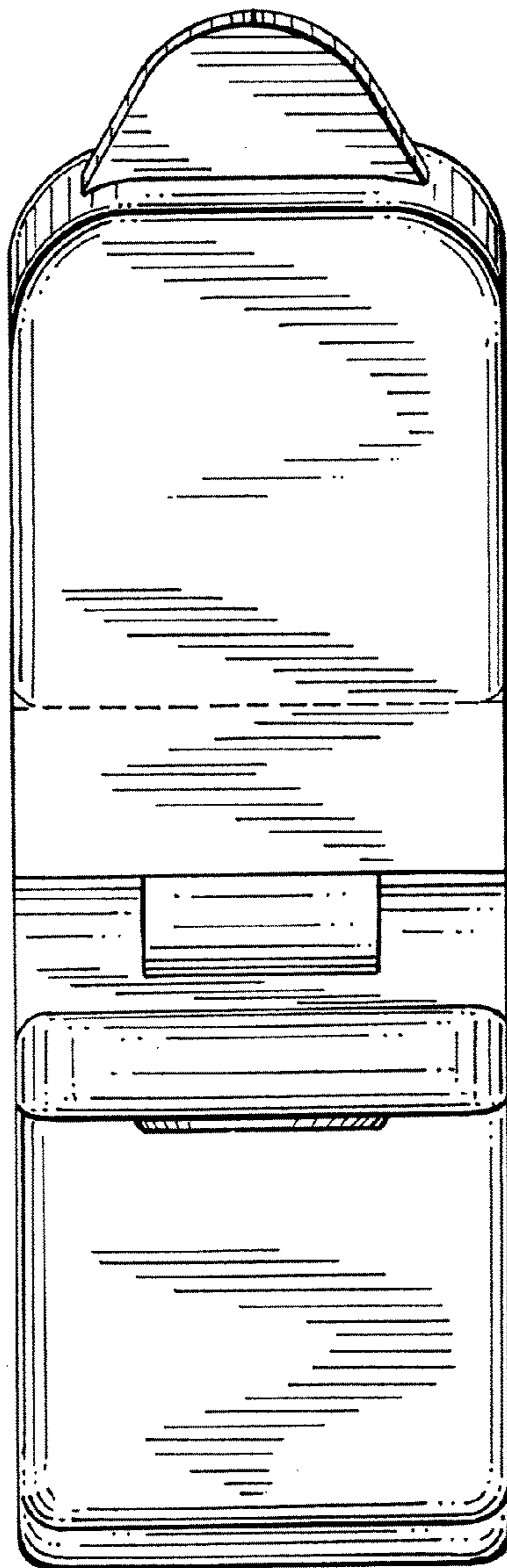


FIG. 5

FIG. 6

