

US00D690067S

(12) **United States Design Patent**  
**Tekulve et al.**

(10) **Patent No.:** **US D690,067 S**  
(45) **Date of Patent:** **\*\* Sep. 17, 2013**

(54) **FOAM CLEANING IMPLEMENT**

(71) Applicant: **The Procter & Gamble Company**,  
Cincinnati, OH (US)

(72) Inventors: **Michelle Margaret Tekulve**, Cincinnati,  
OH (US); **Aaron W. Fromm**, Fort  
Thomas, KY (US); **Terra Louise Dent**,  
Mason, OH (US); **Christopher Lee  
Henderson**, Liberty Township, OH (US)

(73) Assignee: **The Procter & Gamble Company**,  
Cincinnati, OH (US)

(\*\*) Term: **14 Years**

(21) Appl. No.: **29/444,481**

(22) Filed: **Jan. 31, 2013**

**Related U.S. Application Data**

(62) Division of application No. 29/418,221, filed on Apr.  
13, 2012, now Pat. No. Des. 679,063.

(51) **LOC (9) Cl.** ..... **04-01**

(52) **U.S. Cl.**  
USPC ..... **D32/40**

(58) **Field of Classification Search**  
USPC ..... D32/40-46; 15/208, 209.1, 244.1-244.4;  
438/287; 428/316.6

See application file for complete search history.

(56) **References Cited**

**U.S. PATENT DOCUMENTS**

1,778,270	A	10/1930	Miller	
4,764,421	A	8/1988	Horiki et al.	
4,797,310	A *	1/1989	Barby et al.	428/71
4,822,650	A	4/1989	Horiki et al.	
4,835,026	A	5/1989	Horiki et al.	
4,913,786	A	4/1990	Horiki et al.	
5,164,238	A	11/1992	Horiki et al.	

(Continued)

**FOREIGN PATENT DOCUMENTS**

EP 0 307 932 A1 3/1989  
EP 0 370 796 A1 5/1990

(Continued)

**OTHER PUBLICATIONS**

U.S. Appl. No. 13/604,769, filed Sep. 6, 2012, Tekulve, et al.

(Continued)

*Primary Examiner* — Robin V Webster

(74) *Attorney, Agent, or Firm* — John T. Dipre; Steven W. Miller

(57) **CLAIM**

The ornamental design for a foam cleaning implement, as shown and described.

**DESCRIPTION**

FIG. 1 is a top perspective view of the first embodiment of a foam cleaning implement;

FIG. 2 is a top view of the first embodiment of a foam cleaning implement shown in FIG. 1;

FIG. 3 is a right side view of the first embodiment of a foam cleaning implement shown in FIG. 1;

FIG. 4 is a left side view of the first embodiment of a foam cleaning implement shown in FIG. 1;

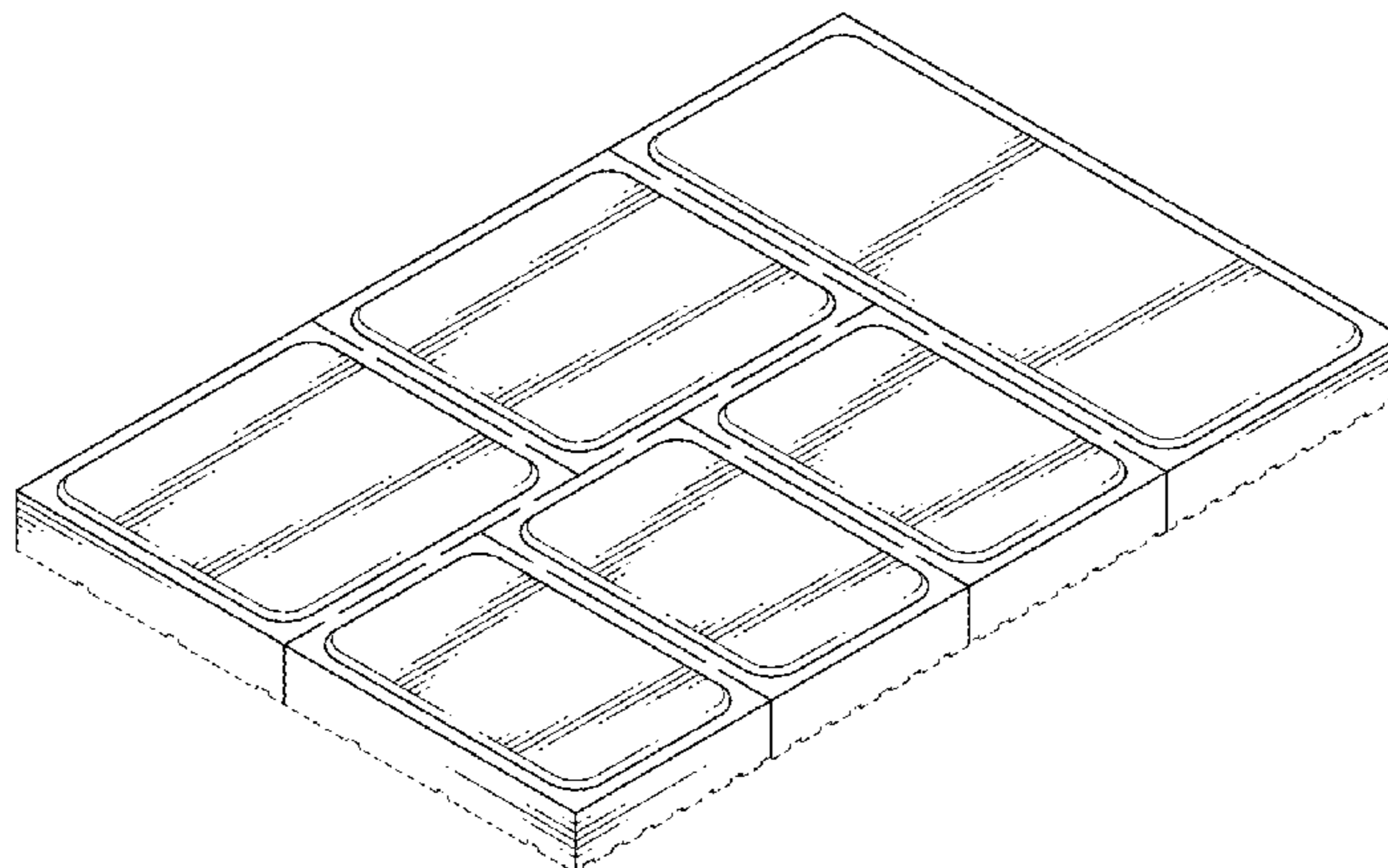
FIG. 5 is a front view of the first embodiment of a foam cleaning implement shown in FIG. 1;

FIG. 6 is a rear view of the first embodiment of a foam cleaning implement shown in FIG. 1; and,

FIG. 7 is a bottom view of the first embodiment of a foam cleaning implement shown in FIG. 1.

The broken line showing of the bottom portion is included for the purpose of illustrating and forms no part of the claimed design.

**1 Claim, 2 Drawing Sheets**



(56)

**References Cited**

U.S. PATENT DOCUMENTS

5,360,653	A *	11/1994	Ackley .....	428/71
5,500,267	A	3/1996	Canning	
5,540,880	A	7/1996	Horiki et al.	
5,605,731	A	2/1997	Guasch Pubill	
5,616,387	A	4/1997	Augst et al.	
5,685,042	A	11/1997	Demetriades	
5,712,210	A	1/1998	Windisch et al.	
5,902,642	A	5/1999	Horiki et al.	
6,057,731	A	5/2000	Gorcea et al.	
6,298,517	B1	10/2001	McKay	
6,313,049	B1	11/2001	Heady et al.	
6,462,160	B1	10/2002	Ogawa et al.	
6,548,135	B1	4/2003	Hershey et al.	
6,548,136	B1	4/2003	Piccini et al.	
6,550,633	B2	4/2003	Huang et al.	
6,827,080	B2	12/2004	Fish et al.	
D591,018	S *	4/2009	Bogaerts et al. ....	D32/40
7,629,043	B2	12/2009	Lindsay et al.	
D634,495	S *	3/2011	Dunshee et al. ....	D32/40
D657,925	S *	4/2012	Luipold .....	D32/40
2001/0002290	A1	5/2001	Farber	

2001/0014316	A1	8/2001	Harbeck
2001/0029247	A1	10/2001	Boures et al.
2001/0043936	A1	11/2001	Salmon et al.
2002/0001599	A1	1/2002	Neubourg
2005/0025668	A1	2/2005	Katsigras et al.
2005/0129897	A1	6/2005	Zhou et al.
2005/0136238	A1	6/2005	Lindsay et al.
2005/0202232	A1	9/2005	Sauniere
2006/0000043	A1	1/2006	Jou-Chen et al.
2007/0166488	A1	7/2007	Trefethren et al.
2007/0224409	A1	9/2007	Devorany et al.

FOREIGN PATENT DOCUMENTS

EP	0 672 646	A1	9/1995
EP	0 676 246	A1	10/1995
GB	1035475	A	7/1966
JP	2020329	A1	1/1990
JP	2003116762	A	4/2003

OTHER PUBLICATIONS

U.S. Appl. No. 29/418,221, filed Apr. 13, 2012, Tekulve, et al.

\* cited by examiner

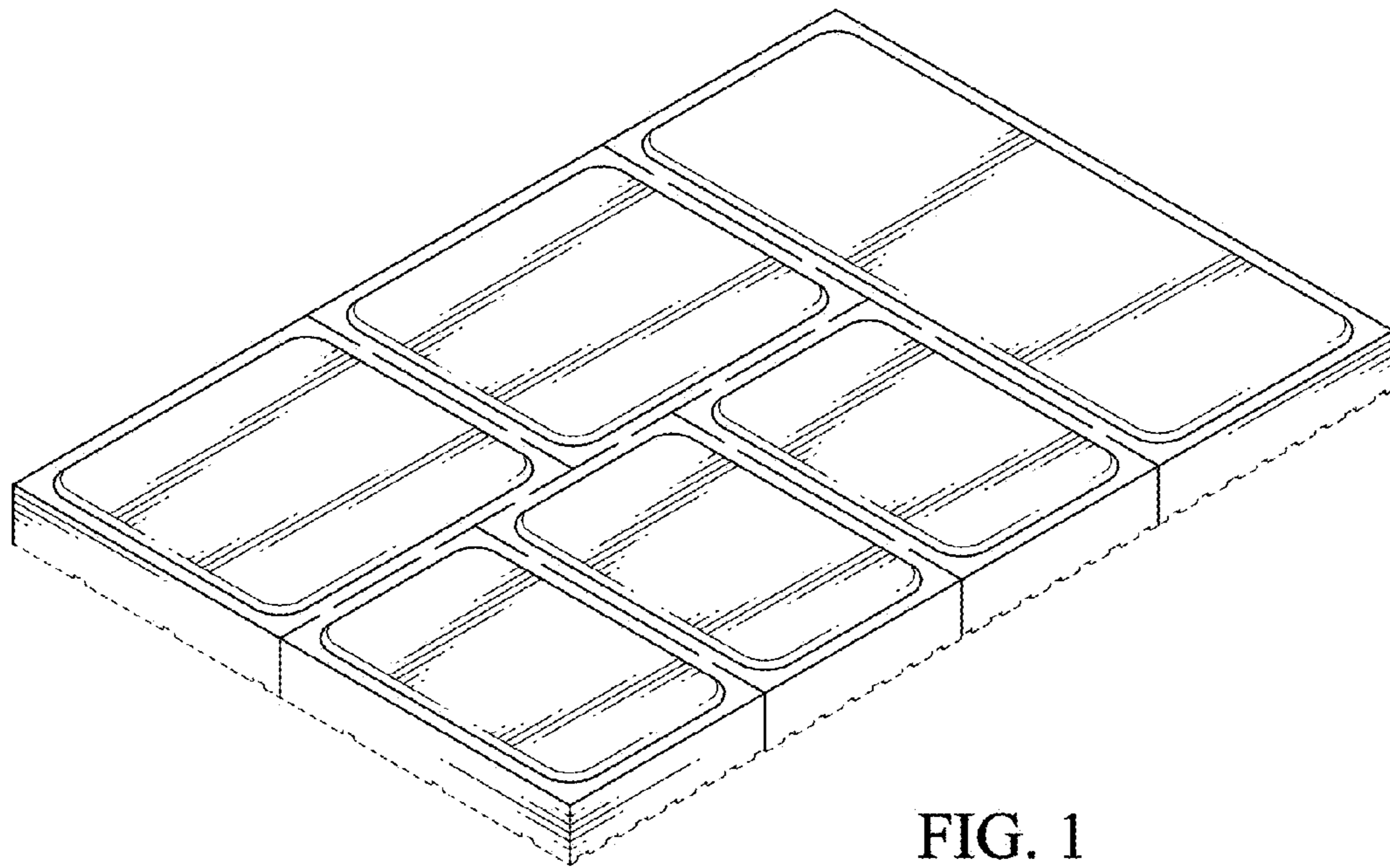


FIG. 1

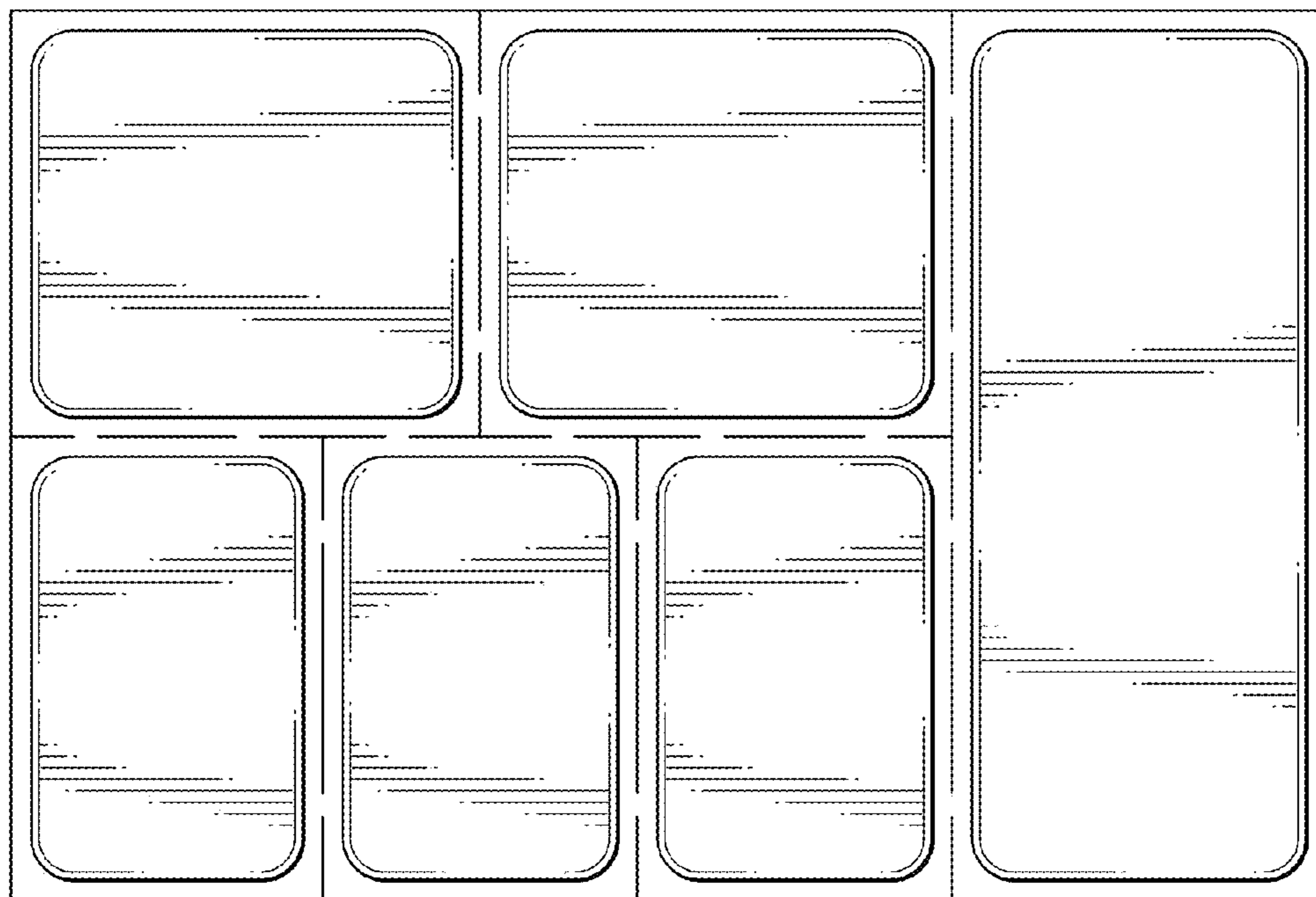


FIG. 2

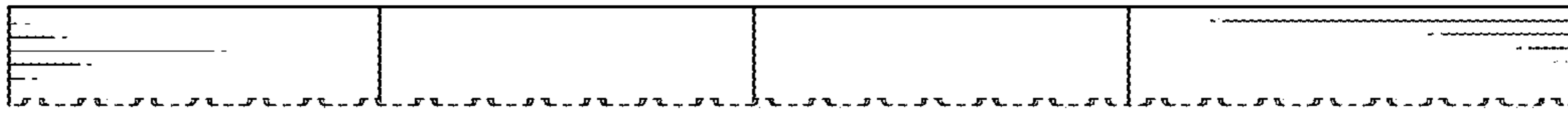


FIG. 3



FIG. 4

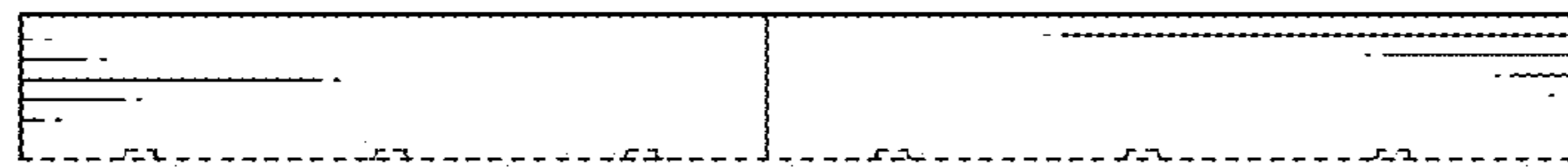


FIG. 5

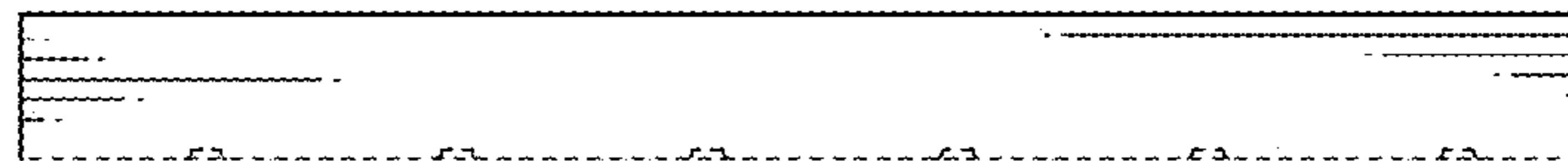


FIG. 6

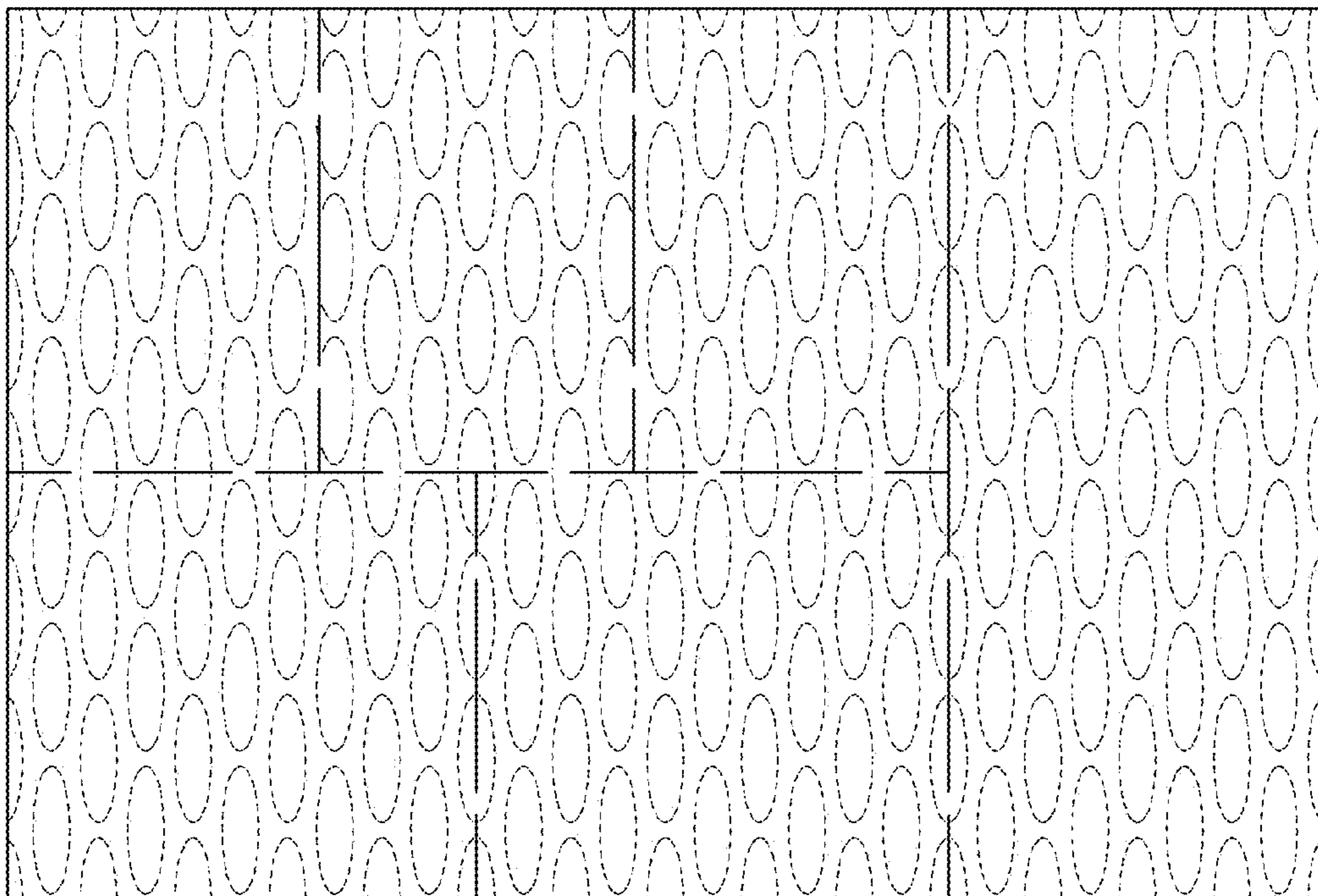


FIG. 7