



US00D690066S

(12) **United States Design Patent**
Chung et al.

(10) **Patent No.:** **US D690,066 S**
(45) **Date of Patent:** **** Sep. 17, 2013**

- (54) **ELECTRIC WASHING MACHINE**
- (71) Applicant: **LG Electronics Inc.**, Seoul (KR)
- (72) Inventors: **Wookjun Chung**, Seoul (KR); **Kyungah Lee**, Yongin-si (KR); **Jeaseok Seong**, Yongin-si (KR); **Yoonsang Kim**, Seoul (KR); **Yeji Um**, Seoul (KR)
- (73) Assignee: **LG Electronics Inc.**, Seoul (KR)
- (**) Term: **14 Years**
- (21) Appl. No.: **29/445,002**
- (22) Filed: **Feb. 6, 2013**

D465,307 S	11/2002	Du et al.	
D479,373 S *	9/2003	Silva	D32/25
D481,499 S *	10/2003	Moreira da Silva	D32/25
D520,193 S	5/2006	Yokoyama	
D536,143 S *	1/2007	Takase et al.	D32/5
D582,107 S *	12/2008	Ha et al.	D32/6
D584,865 S *	1/2009	Kim et al.	D32/6
D606,267 S	12/2009	Shor	
D614,366 S	4/2010	Shor	
D618,865 S *	6/2010	Cline et al.	D32/6
D619,313 S *	7/2010	Cline et al.	D32/25
D627,114 S *	11/2010	Jeon et al.	D32/6
D627,115 S *	11/2010	Jeon et al.	D32/6

(Continued)

FOREIGN PATENT DOCUMENTS

KR	30-0512800 S	11/2008
KR	30-0530282 S	6/2009

(Continued)

Related U.S. Application Data

- (63) Continuation of application No. 29/430,241, filed on Aug. 23, 2012.

Foreign Application Priority Data

- Feb. 24, 2012 (KR) 30-2012-0008871

- (51) **LOC (9) Cl.** **15-05**

- (52) **U.S. Cl.**
USPC **D32/25**

- (58) **Field of Classification Search**
USPC D32/1, 5, 6, 8, 10, 25, 28; 68/3 R, 68/5 R, 12.01, 12.08, 212; 34/87-88, 523-524; D7/339-340, 347-349, 350.1, 350.3-350.4, D7/351
See application file for complete search history.

(56) **References Cited**

U.S. PATENT DOCUMENTS

D152,550 S	10/1947	Little	
D193,066 S	6/1962	Dreyfuss et al.	
D297,509 S *	9/1988	Masera	D8/359

Primary Examiner — T. Chase Nelson
Assistant Examiner — Kathleen M Sims
 (74) *Attorney, Agent, or Firm* — Birch, Stewart, Kolasch & Birch, LLP

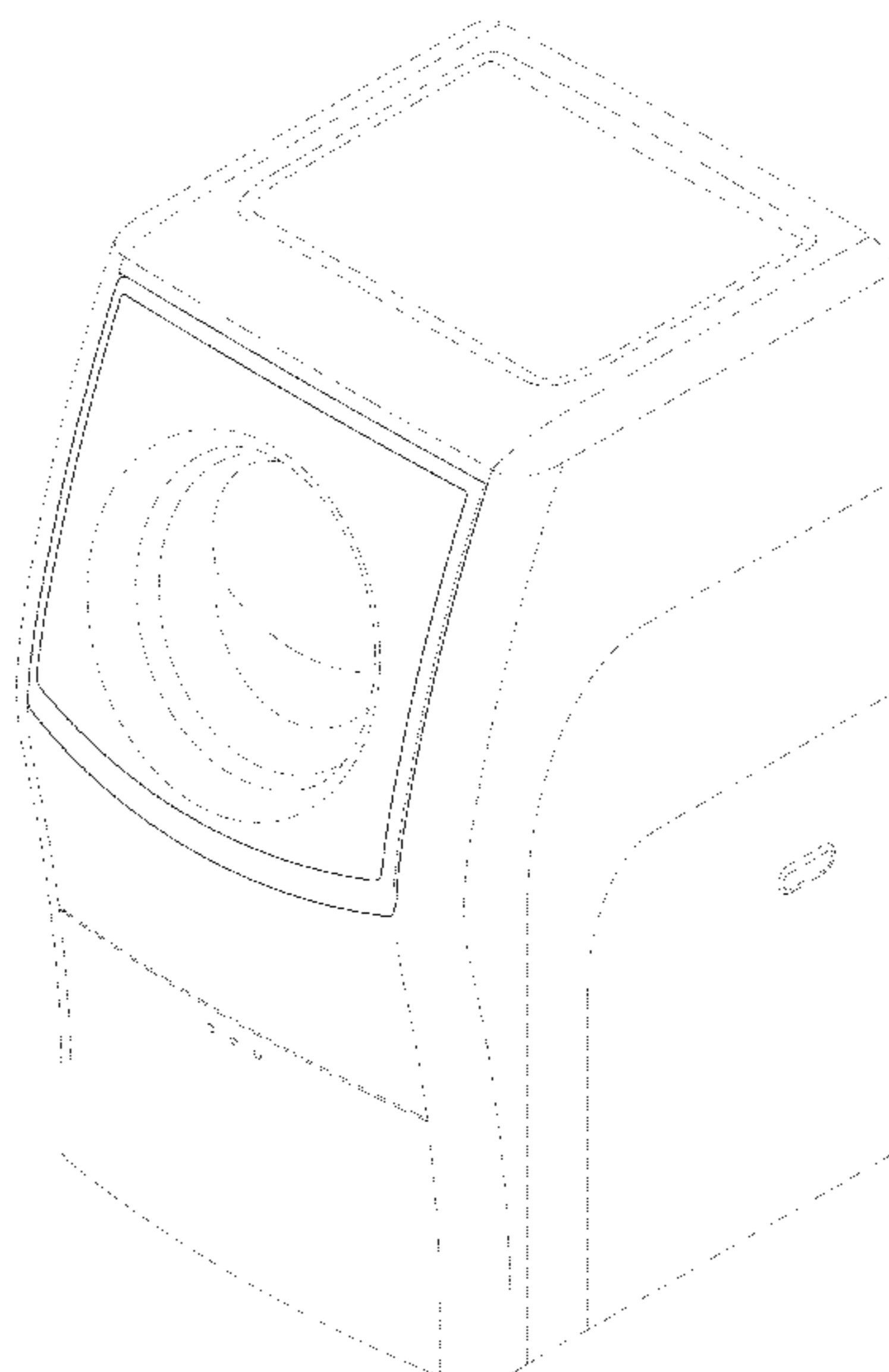
(57) **CLAIM**

The ornamental design for an electric washing machine, as shown and described.

DESCRIPTION

FIG. 1 is a perspective view of an electric washing machine showing our new design;
 FIG. 2 is a front view thereof;
 FIG. 3 is a rear view thereof;
 FIG. 4 is a left side view thereof where the right side view is a mirror image;
 FIG. 5 is top plan view thereof; and,
 FIG. 6 is a bottom plan view thereof.
 The broken lines depict portions of the electric washing machine that form no part of the claimed design.

1 Claim, 6 Drawing Sheets



(56)

References Cited

D673,001 S * 12/2012 Becze et al. D7/351

U.S. PATENT DOCUMENTS

FOREIGN PATENT DOCUMENTS

D627,529 S 11/2010 Jeon et al.
D630,807 S * 1/2011 Song et al. D32/6
D633,262 S 2/2011 Jeon et al.
D642,753 S 8/2011 Ha
D648,907 S * 11/2011 Jeon et al. D32/6
D664,313 S 7/2012 Chung et al.

KR 30-0547595 S 12/2009
KR 30-0570409 S 8/2010
KR 30-0570412 S 8/2010
KR 30-0577730 S 11/2010

* cited by examiner

FIG. 1

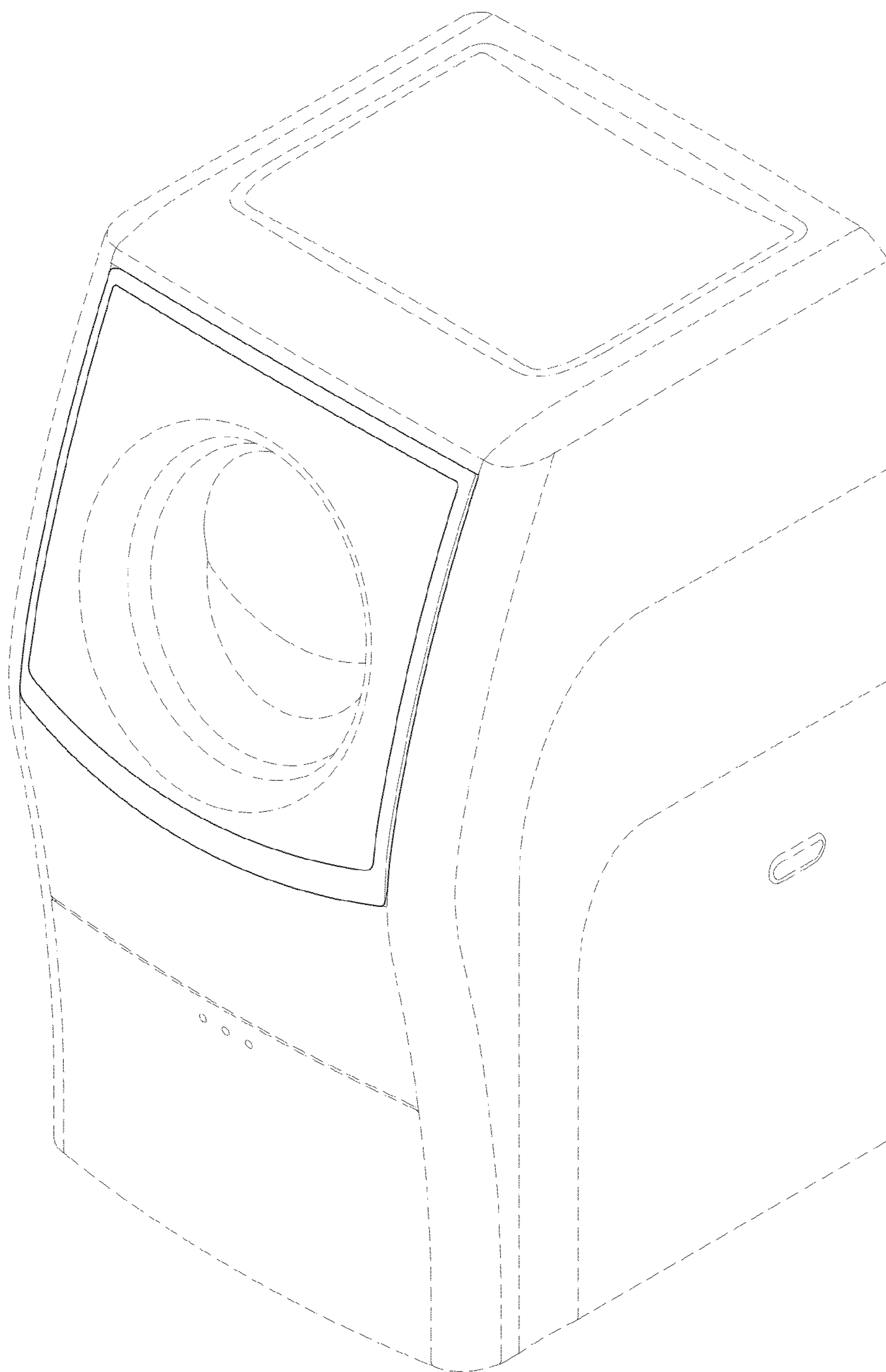


FIG. 2

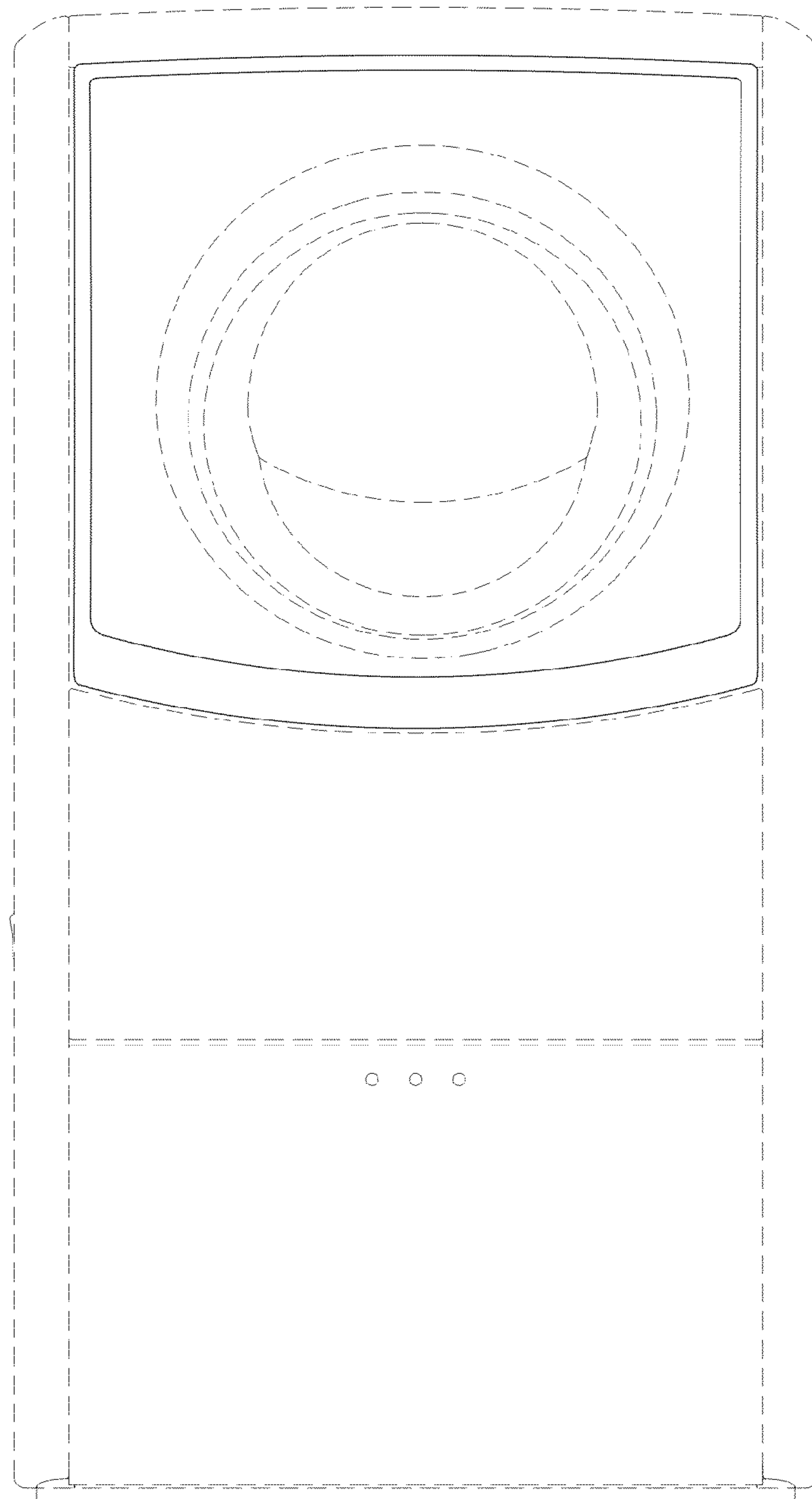


FIG. 3



FIG. 4

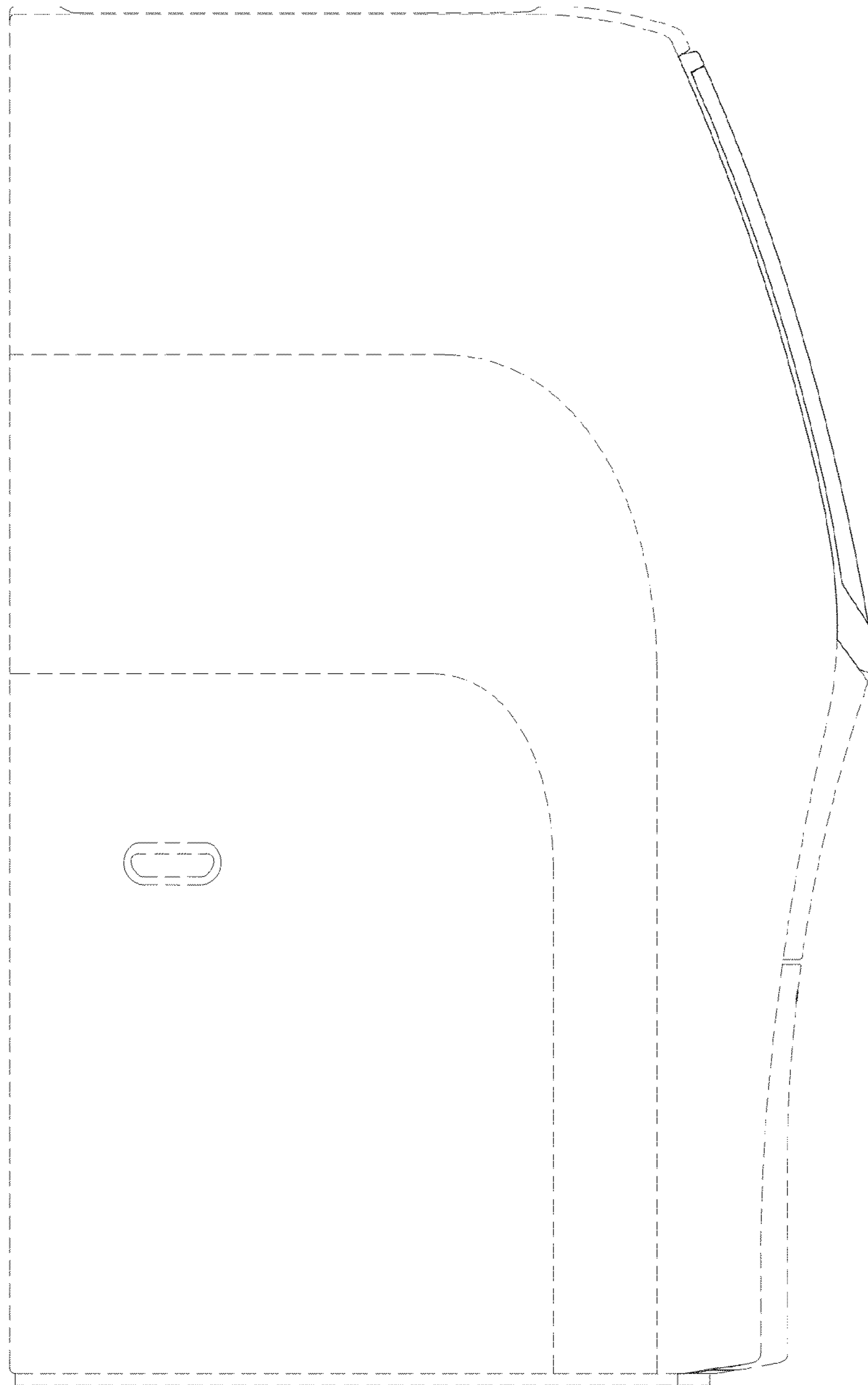


FIG. 5

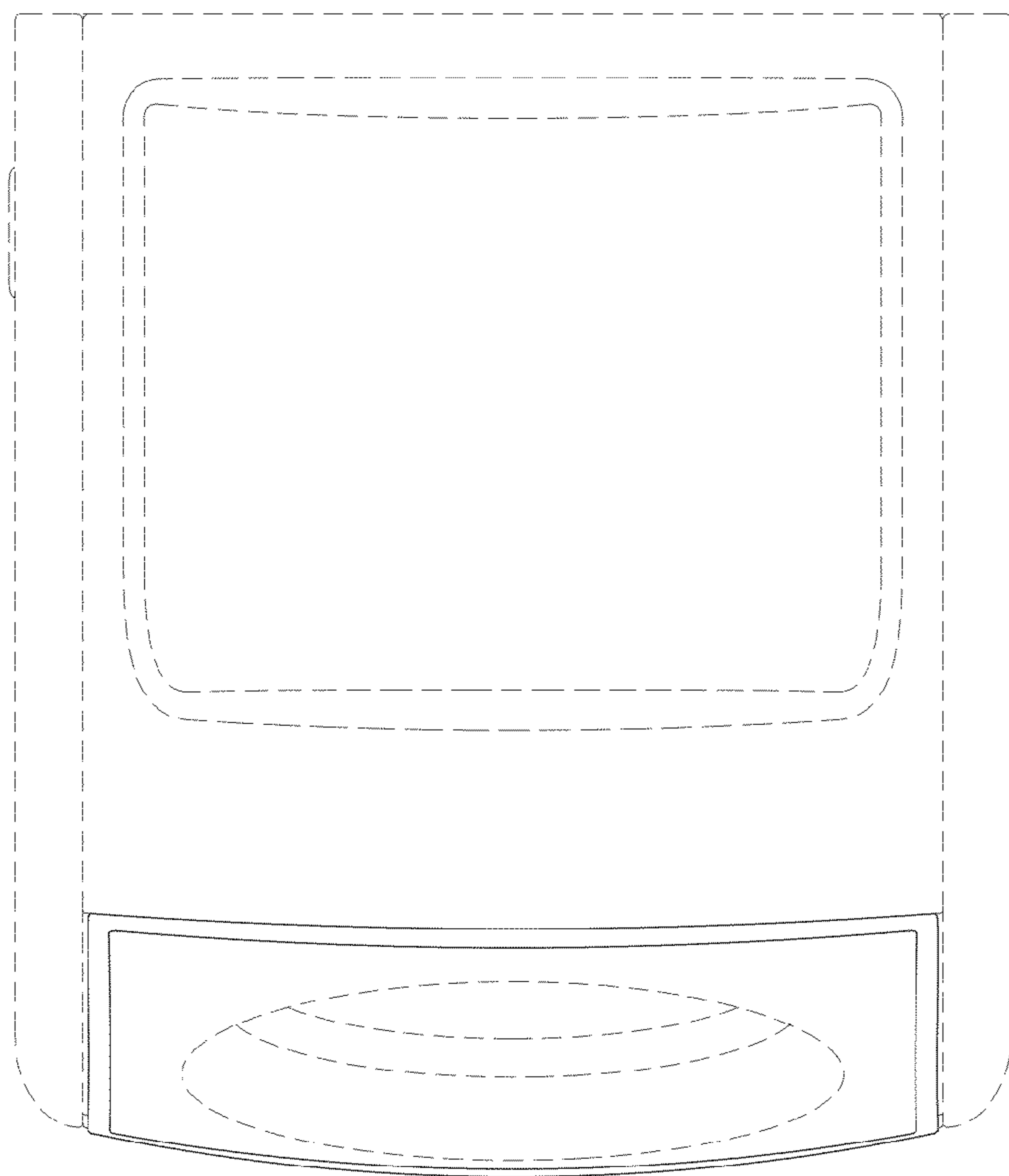


FIG. 6

