



US00D690065S

(12) **United States Design Patent**
Schoenster

(10) **Patent No.:** **US D690,065 S**

(45) **Date of Patent:** **** Sep. 17, 2013**

(54) **ADJUSTABLE DRYER VENT POSITIONING BRACKET**

(71) Applicant: **James Schoenster**, East Hampton, NY (US)

(72) Inventor: **James Schoenster**, East Hampton, NY (US)

(**) Term: **14 Years**

(21) Appl. No.: **29/443,556**

(22) Filed: **Jan. 18, 2013**

(51) **LOC (9) Cl.** **15-05**

(52) **U.S. Cl.**
USPC **D32/25**

(58) **Field of Classification Search**
USPC D32/1, 8, 25; D23/393; 34/82, 86, 34/90, 140, 235; 454/359; 55/492, 511
See application file for complete search history.

(56) **References Cited**

U.S. PATENT DOCUMENTS

3,677,517	A *	7/1972	Root et al.	251/366
3,999,304	A *	12/1976	Doty	34/82
D258,609	S *	3/1981	Vogt	D23/364
4,277,315	A *	7/1981	Volkamer et al.	203/51
4,338,731	A *	7/1982	Shames et al.	34/82
D277,131	S *	1/1985	Shames et al.	D23/393
D314,820	S *	2/1991	Sullivan	D23/393
D411,901	S *	7/1999	Gomulinski	D32/25

D423,660	S *	4/2000	Inda	D23/393
6,230,418	B1 *	5/2001	Gomulinski	34/140
6,729,586	B2 *	5/2004	Arguijo et al.	248/65
6,745,491	B1 *	6/2004	Hernandez-Zelaya	34/140
6,997,966	B2 *	2/2006	Iantorno	55/385.1
D604,828	S *	11/2009	Krohmer et al.	D32/31
D635,239	S *	3/2011	Liebson et al.	D23/393
D658,831	S *	5/2012	Robinson et al.	D32/25
2010/0031527	A1 *	2/2010	Robinson et al.	34/235

* cited by examiner

Primary Examiner — T. Chase Nelson

Assistant Examiner — Kathleen M Sims

(74) *Attorney, Agent, or Firm* — Dale J. Ream

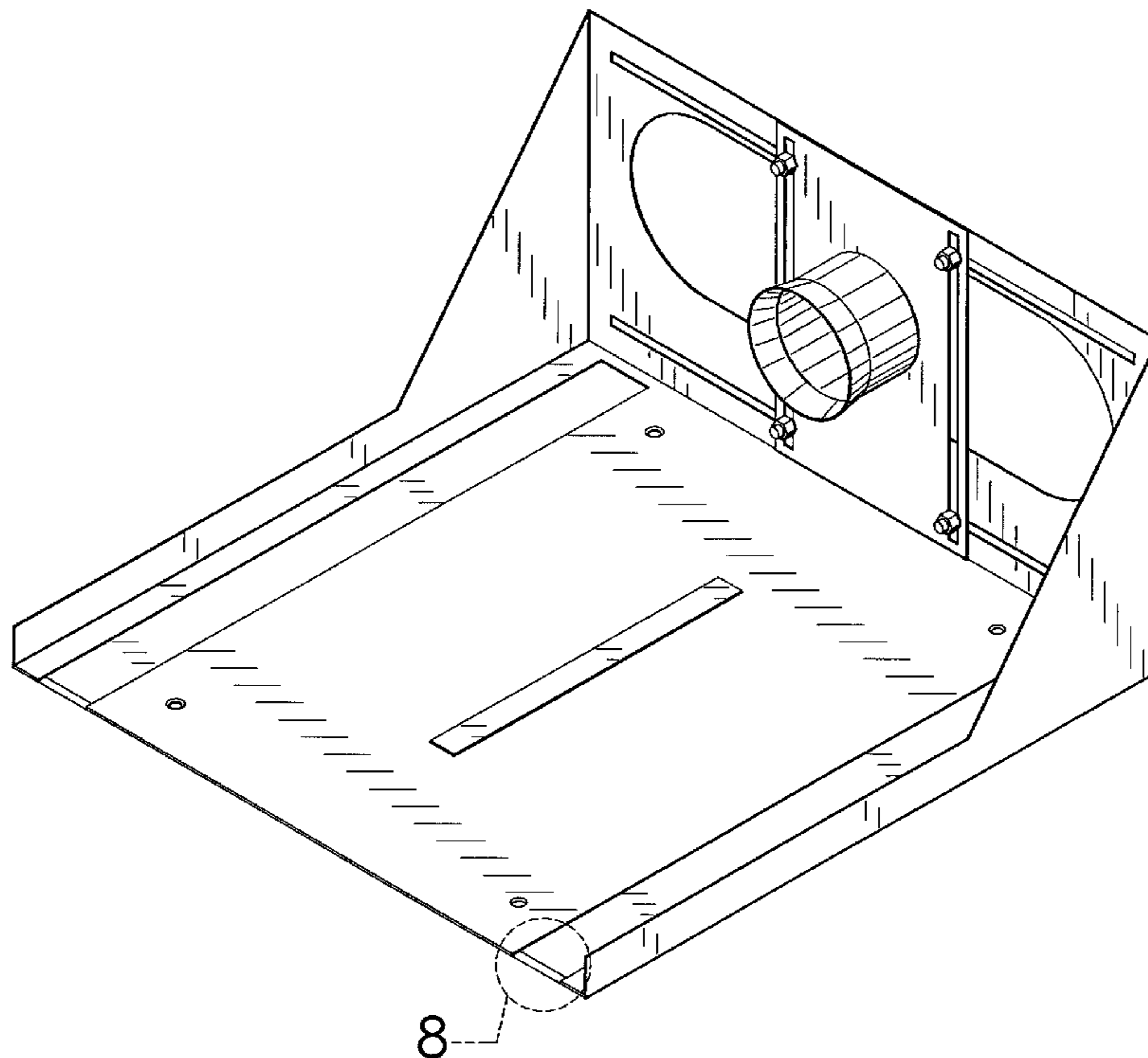
(57) **CLAIM**

The ornamental design for an adjustable dryer vent positioning bracket, as shown and described.

DESCRIPTION

FIG. 1 is a perspective view of an adjustable dryer vent positioning bracket showing my new design; FIG. 2 is a front view thereof; FIG. 3 is a back view thereof; FIG. 4 is a left side view thereof; FIG. 5 is a right side view thereof; FIG. 6 is a top view thereof; FIG. 7 is a bottom view thereof; and, FIG. 8 is an isolated view on an enlarged scale taken from FIG. 1 of the adjustable dryer vent positioning bracket.

1 Claim, 6 Drawing Sheets



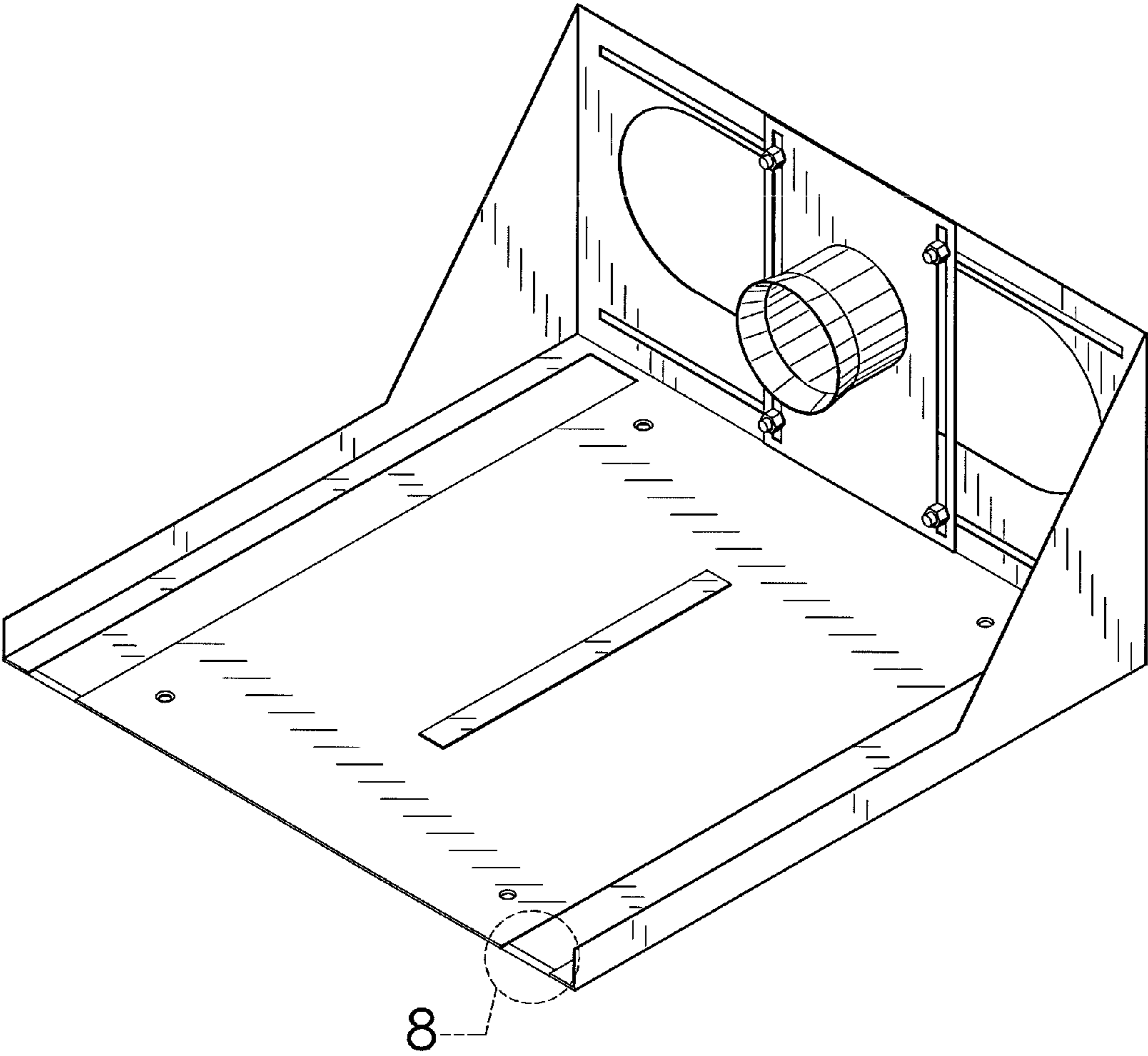


FIG. 1

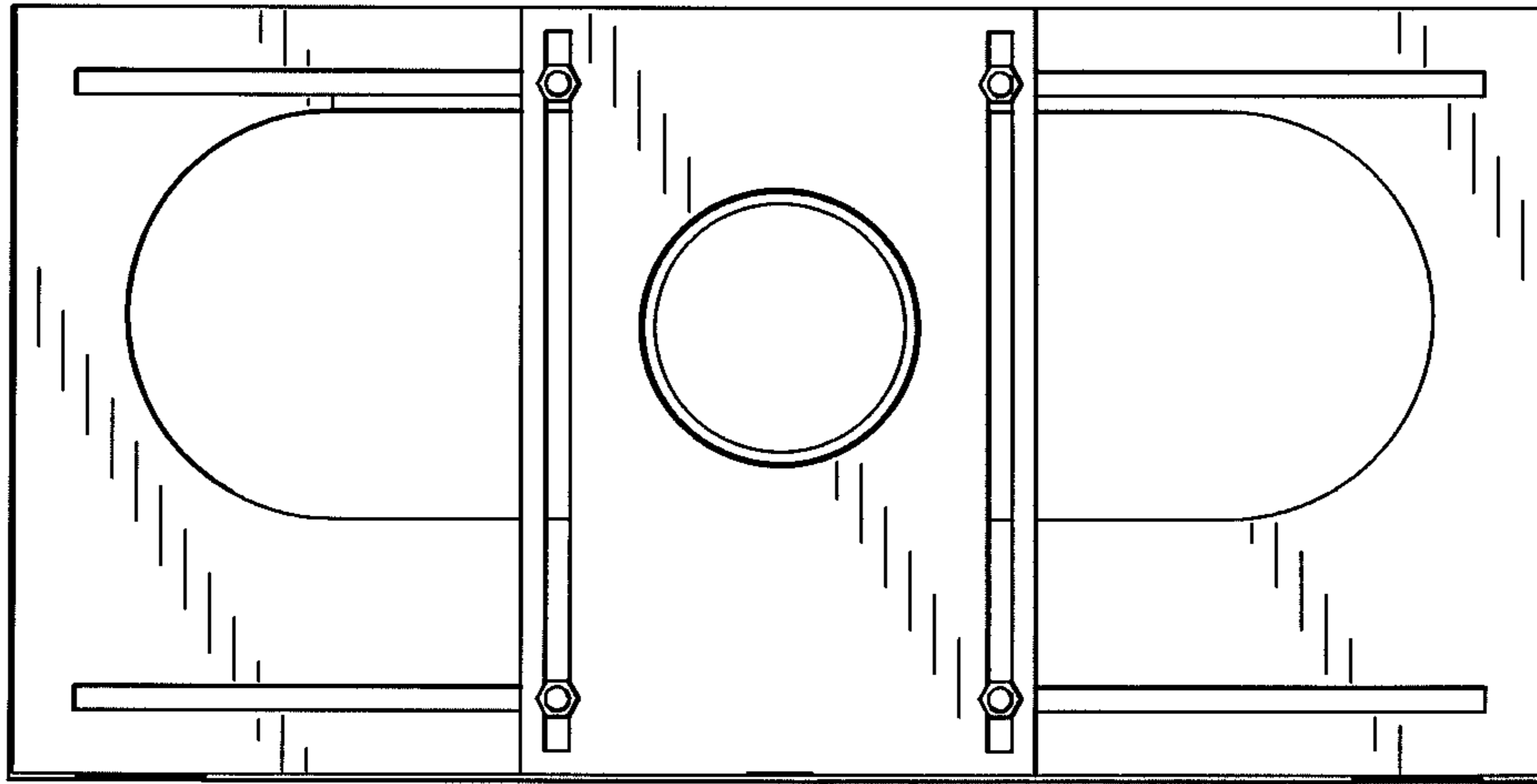


FIG. 2

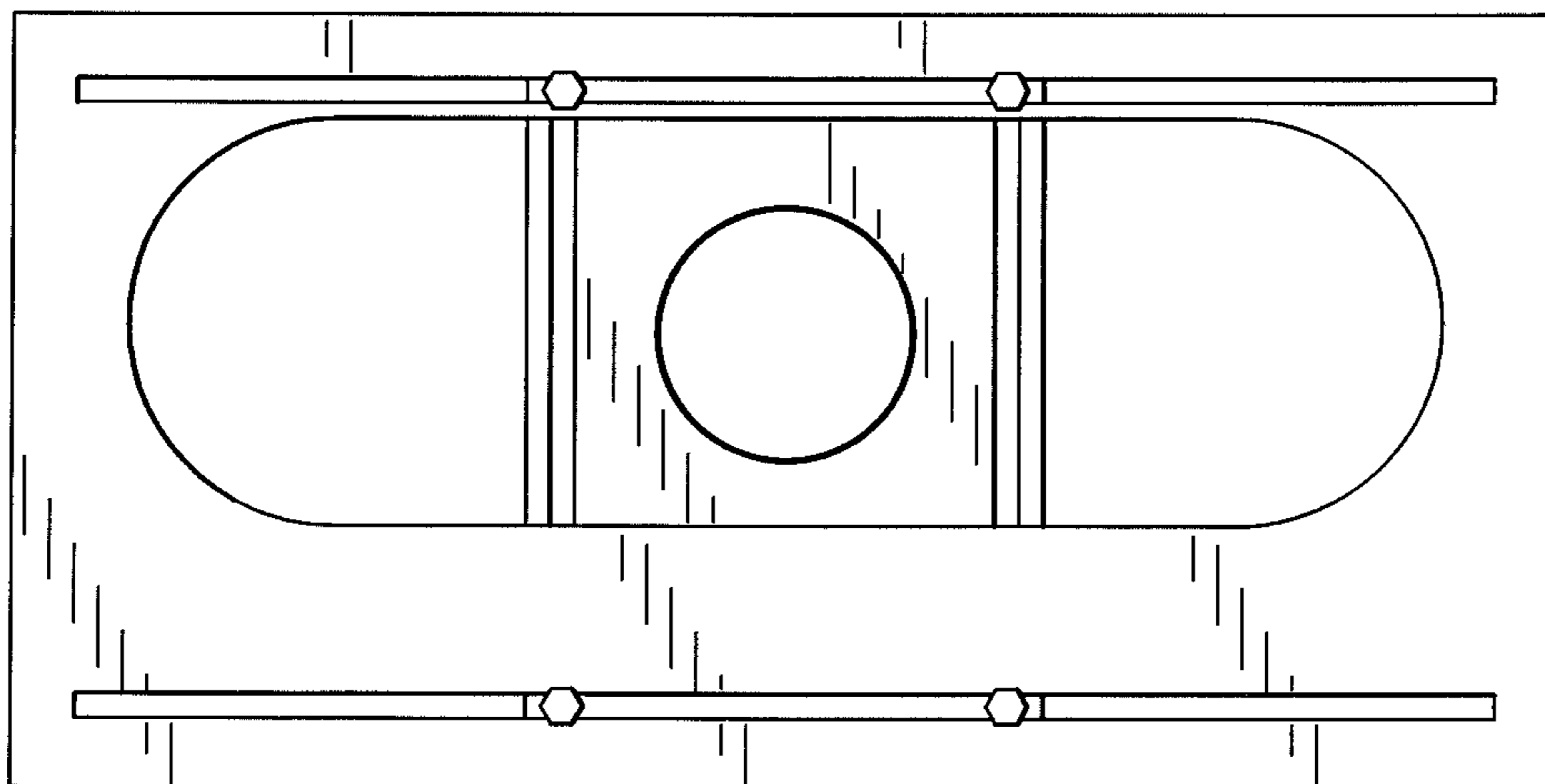


FIG. 3

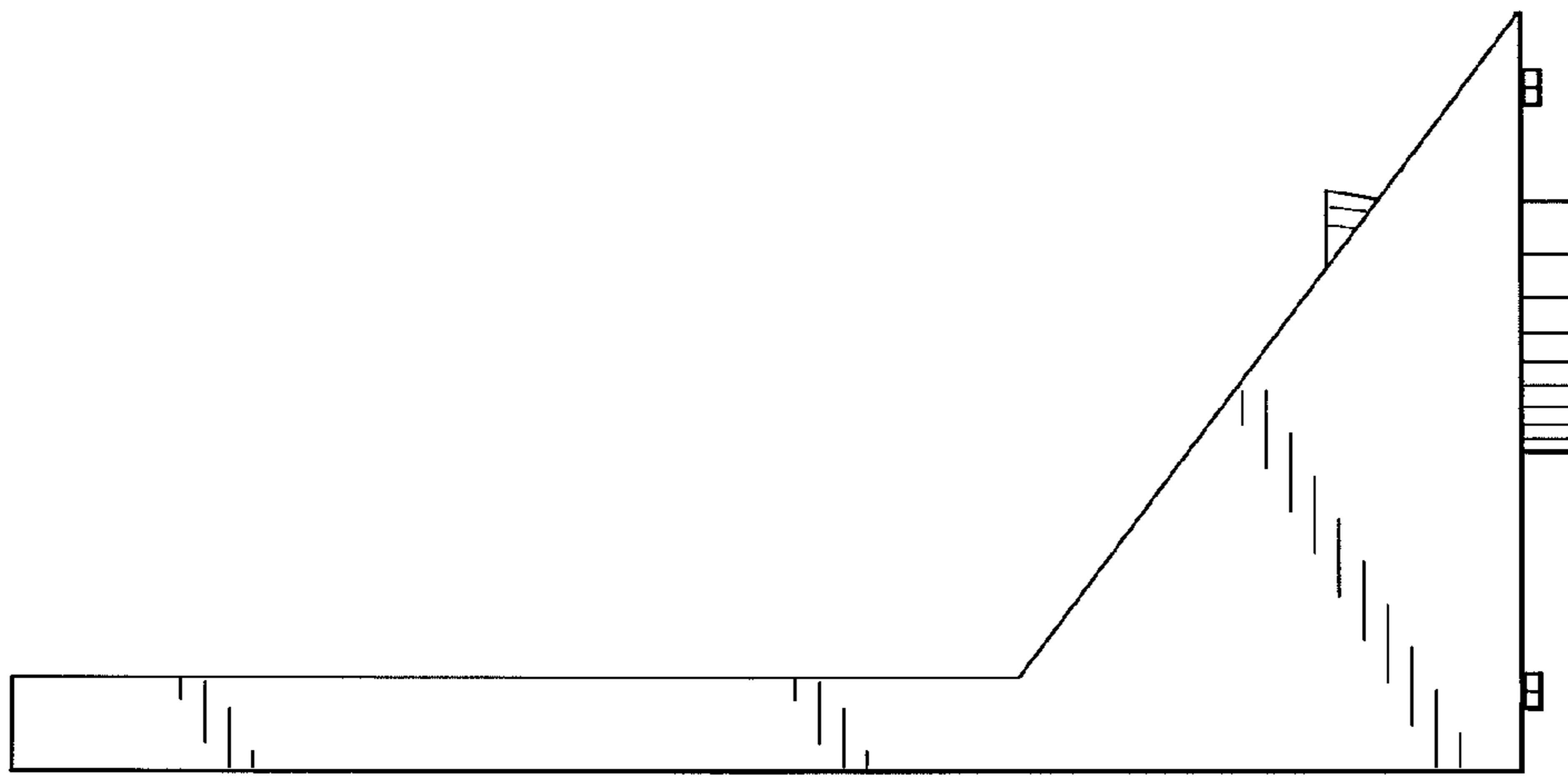


FIG. 4

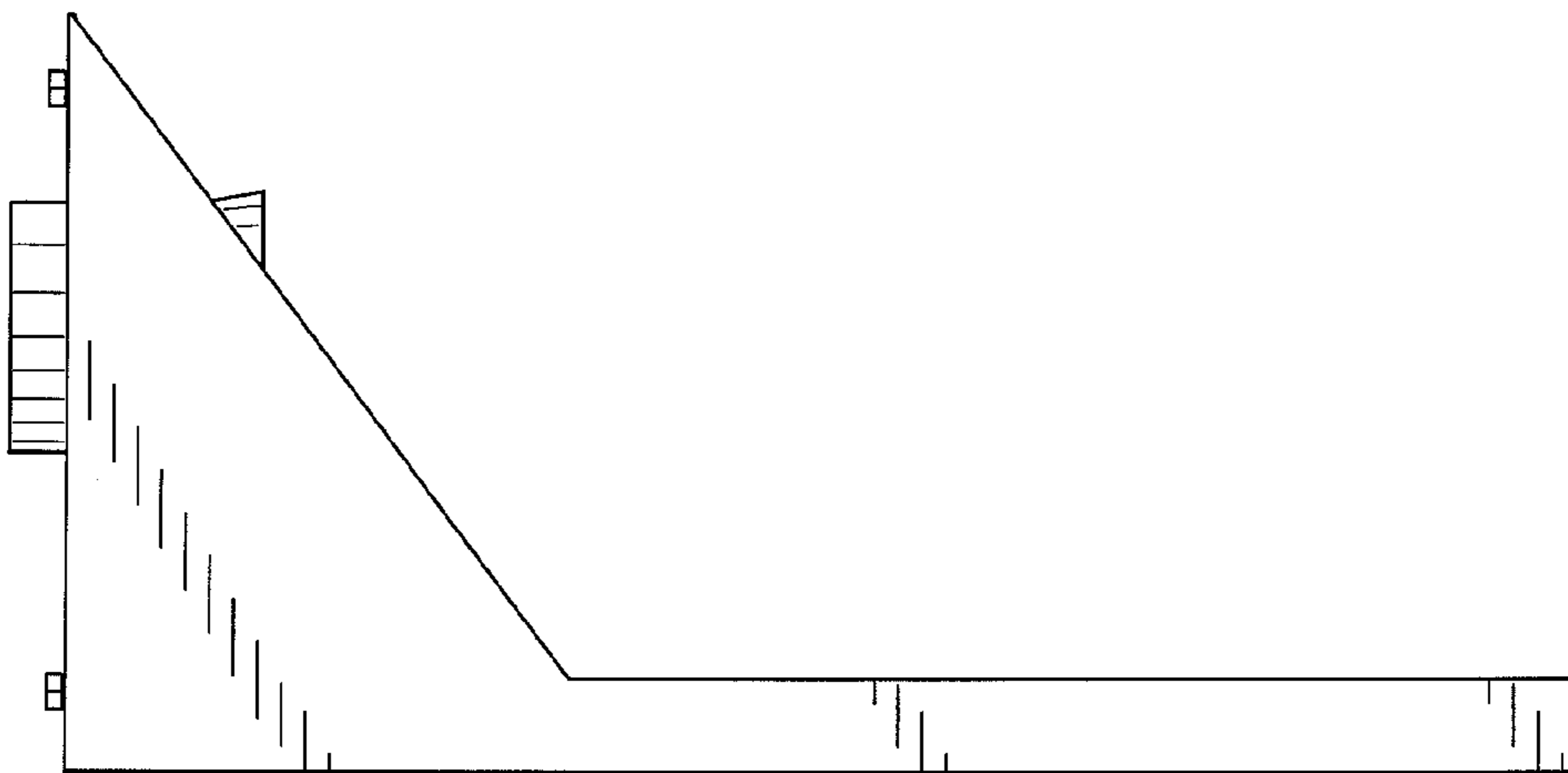


FIG. 5

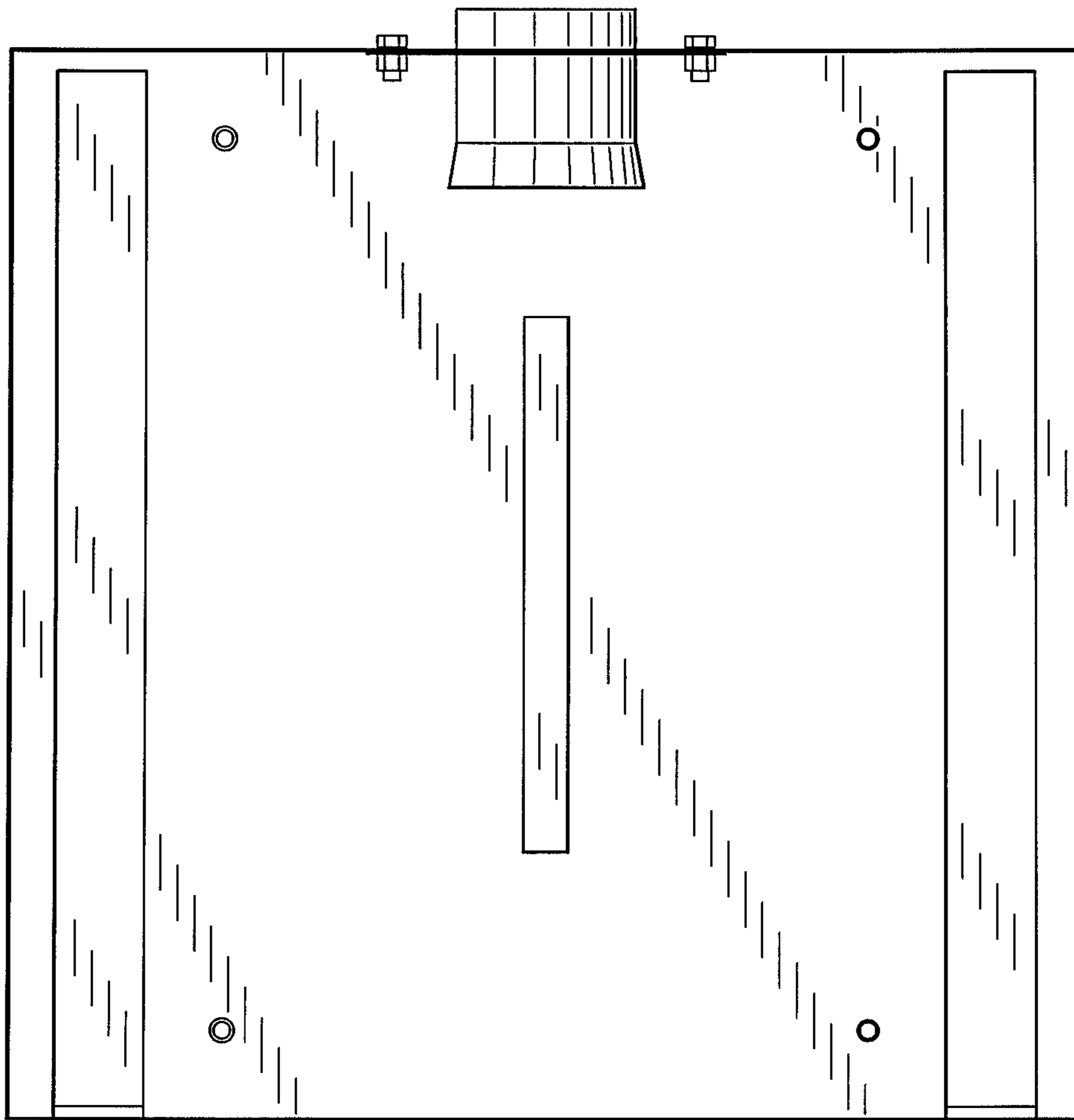


FIG. 6

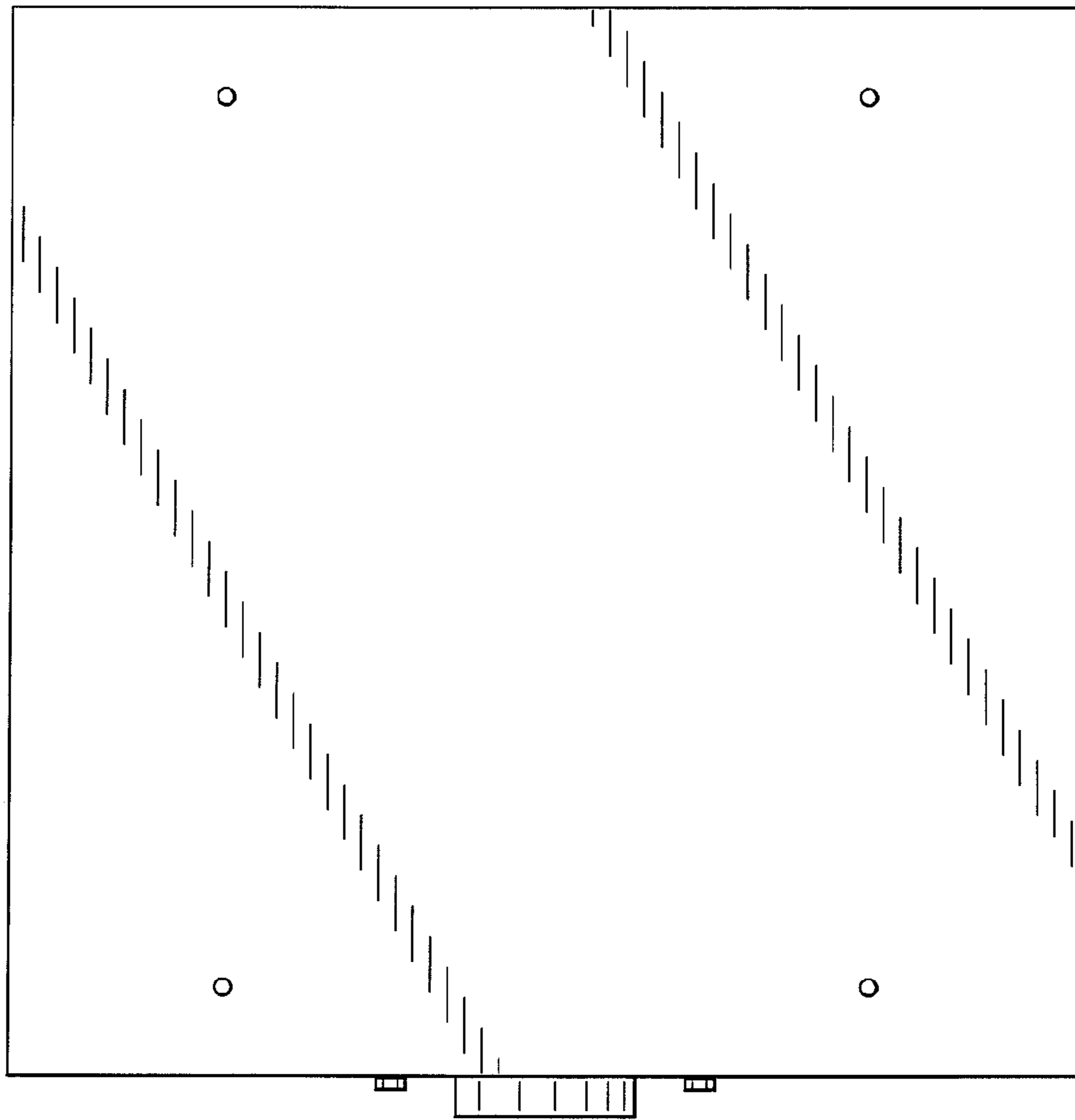


FIG. 7

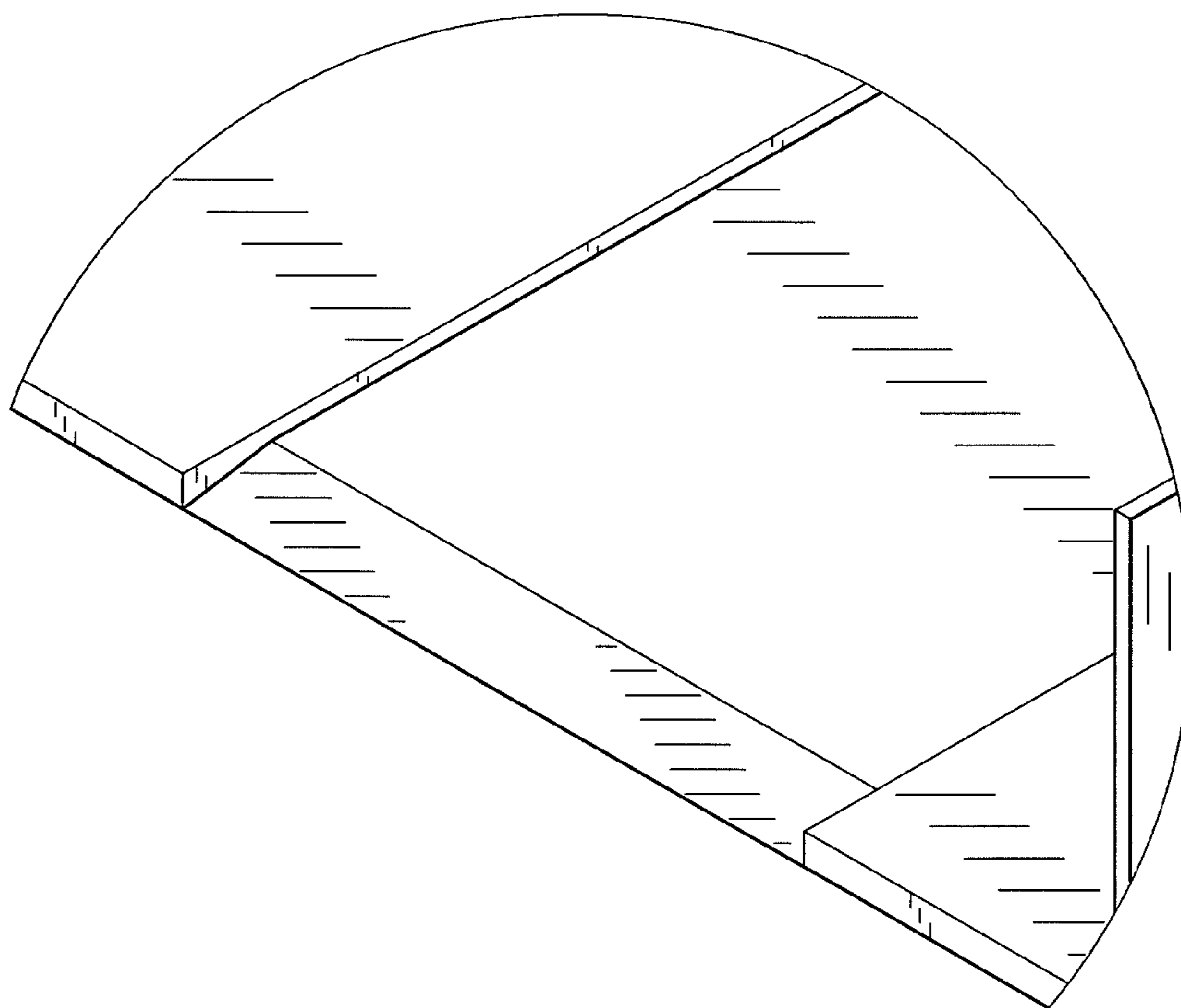


FIG. 8