



US00D690064S

(12) **United States Design Patent**
Witter et al.

(10) **Patent No.:** **US D690,064 S**
(45) **Date of Patent:** **** Sep. 17, 2013**

(54) **PORTABLE CYCLONIC VACUUM CLEANER**

(71) Applicants: **Robert M. Witter**, Englewood, FL (US);
Jeffrey Hill, Cicero, NY (US); **John J. Fitzsimmons**, Clay, NY (US)

(72) Inventors: **Robert M. Witter**, Englewood, FL (US);
Jeffrey Hill, Cicero, NY (US); **John J. Fitzsimmons**, Clay, NY (US)

(73) Assignee: **Oneida Air Systems, Inc.**, Syracuse, NY (US)

(**) Term: **14 Years**

(21) Appl. No.: **29/437,160**

(22) Filed: **Nov. 14, 2012**

(51) **LOC (9) Cl.** **15-05**

(52) **U.S. Cl.**
USPC **D32/21**

(58) **Field of Classification Search**
USPC D32/1, 21-23, 31, 34; 15/353, 347,
15/410-412, 350, 351, 361, 329, 336, 345,
15/2, 320-321, 340.2; 55/337, 315, DIG. 3,
55/459.1; 95/271

See application file for complete search history.

(56) **References Cited**

U.S. PATENT DOCUMENTS

D527,852 S *	9/2006	Tsai	D32/1
D531,769 S *	11/2006	Lin	D32/21
D533,694 S *	12/2006	Cheng	D32/21
7,247,180 B1 *	7/2007	Hill	55/315

D593,264 S *	5/2009	Lin	D32/21
D604,464 S *	11/2009	Witter	D32/21
7,824,457 B2 *	11/2010	Witter	55/337
D629,576 S *	12/2010	Cheng	D32/21
D630,391 S *	1/2011	Cheng	D32/21
D630,392 S *	1/2011	Lin	D32/21
D651,775 S *	1/2012	Cheng	D32/21
D651,776 S *	1/2012	Cheng	D32/21
8,377,160 B2 *	2/2013	Witter	55/337
8,393,050 B2 *	3/2013	Witter	15/353
2008/0016830 A1 *	1/2008	Witter	55/337
2011/0203237 A1 *	8/2011	Witter et al.	55/337

* cited by examiner

Primary Examiner — Ruth McInroy

(74) *Attorney, Agent, or Firm* — Bernhard P. Molldrem, Jr.

(57) **CLAIM**

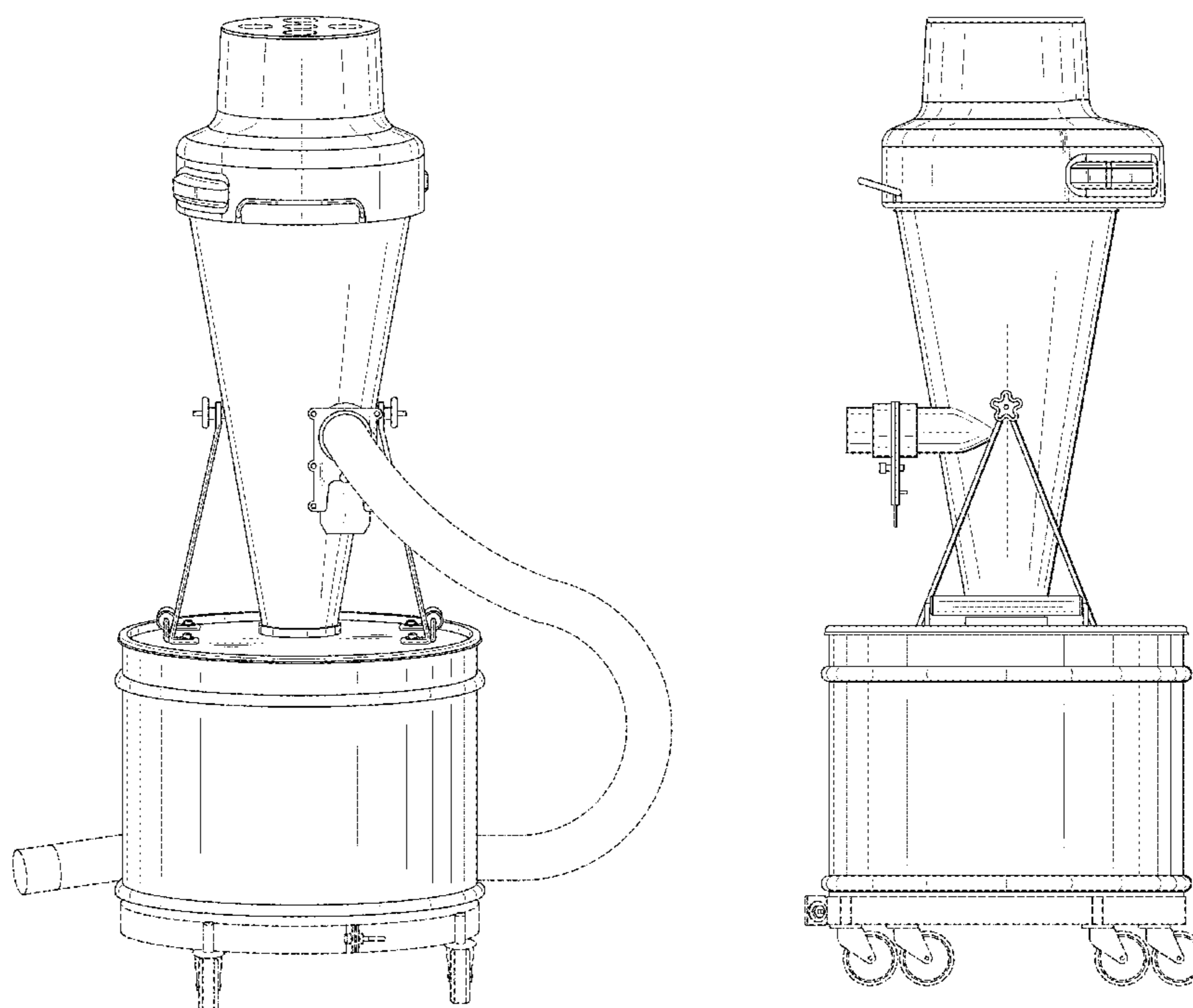
The ornamental design for a portable cyclonic vacuum cleaner, as shown and described.

DESCRIPTION

FIG. 1 is a perspective view of a portable cyclonic vacuum cleaner showing our new design;
FIG. 2 is a left side elevation view thereof;
FIG. 3 is a front elevation view thereof;
FIG. 4 is a right side elevation view thereof;
FIG. 5 is a rear elevation view thereof; and,
FIG. 6 is a top plan view thereof.

The details shown in broken lines form no part of the design. The bottom of the portable cyclonic vacuum cleaner is plain and unadorned, and does not form part of the design.

1 Claim, 6 Drawing Sheets



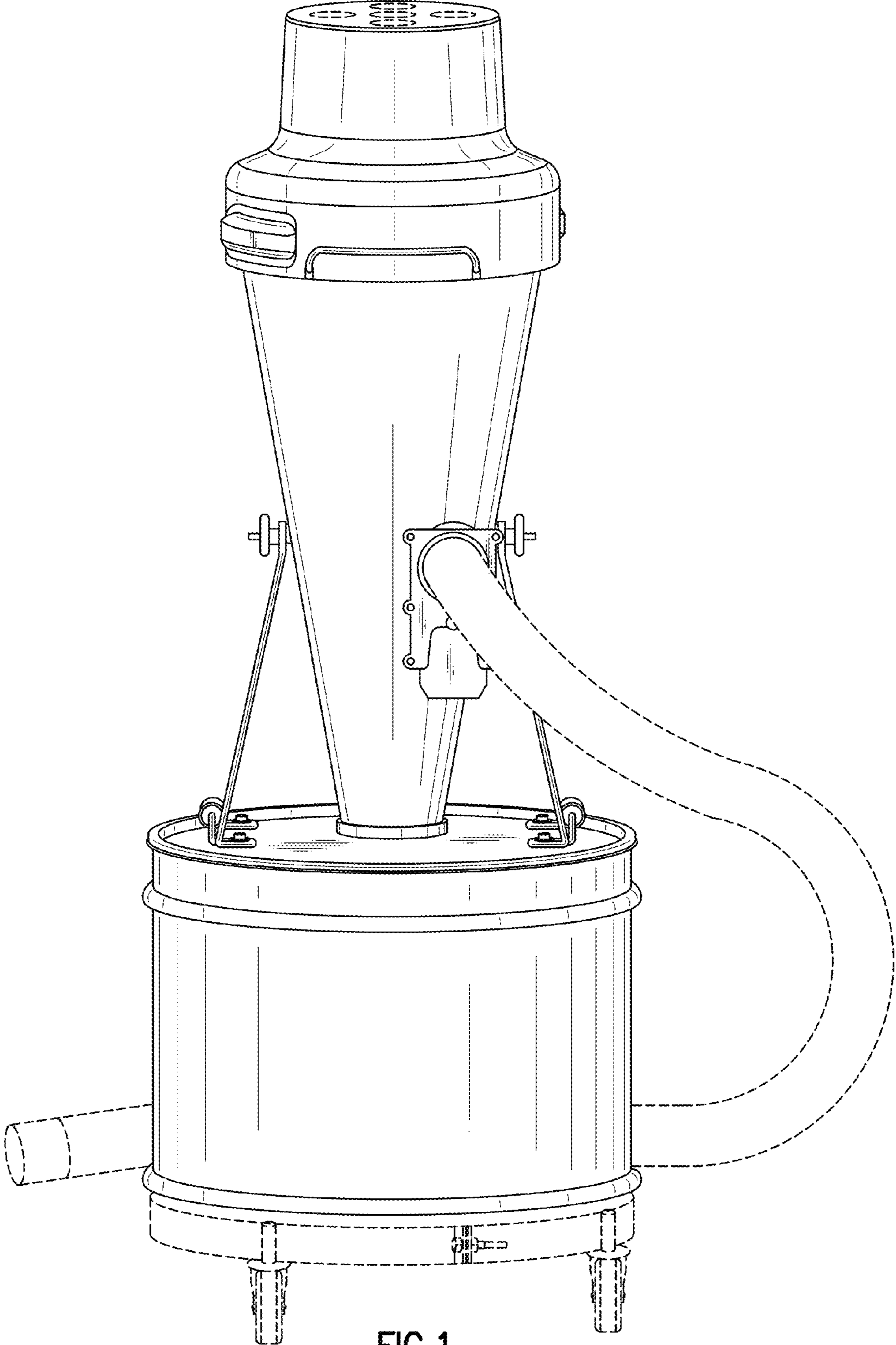


FIG. 1

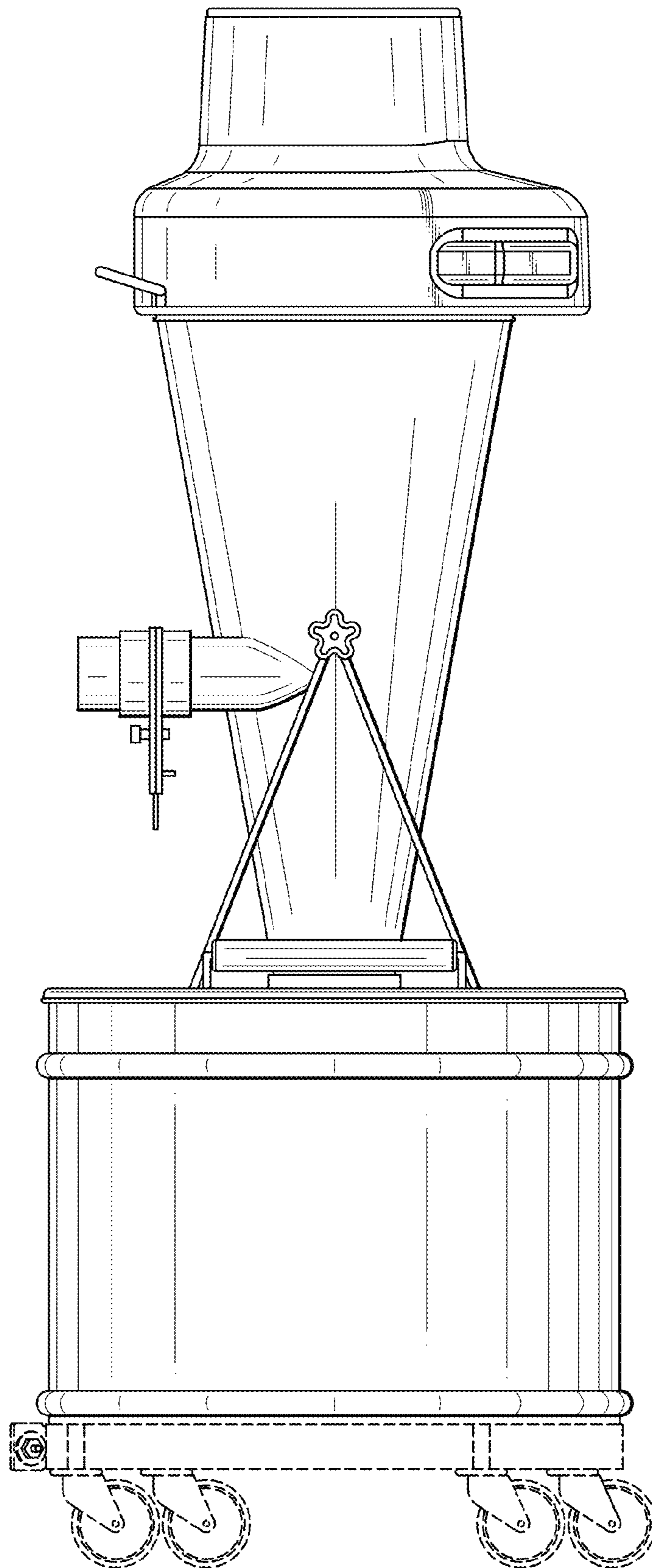


FIG.2

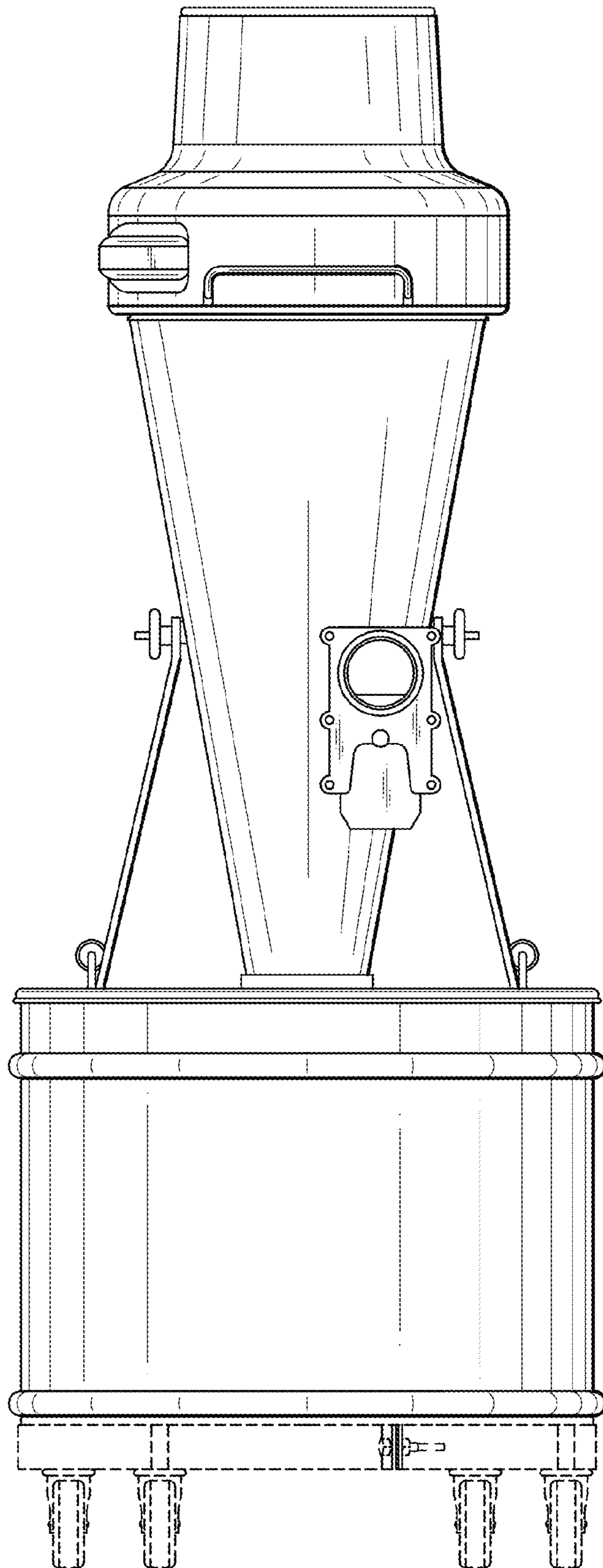


FIG.3

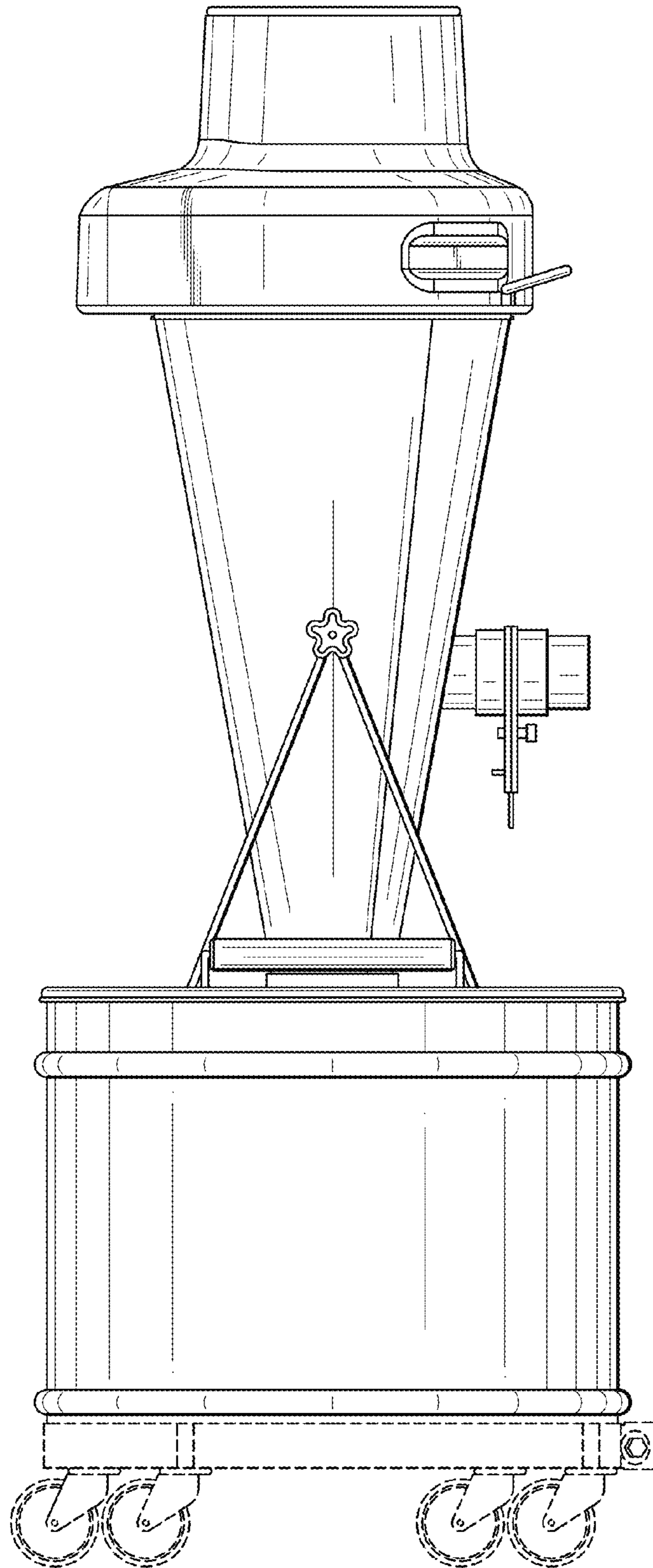


FIG. 4

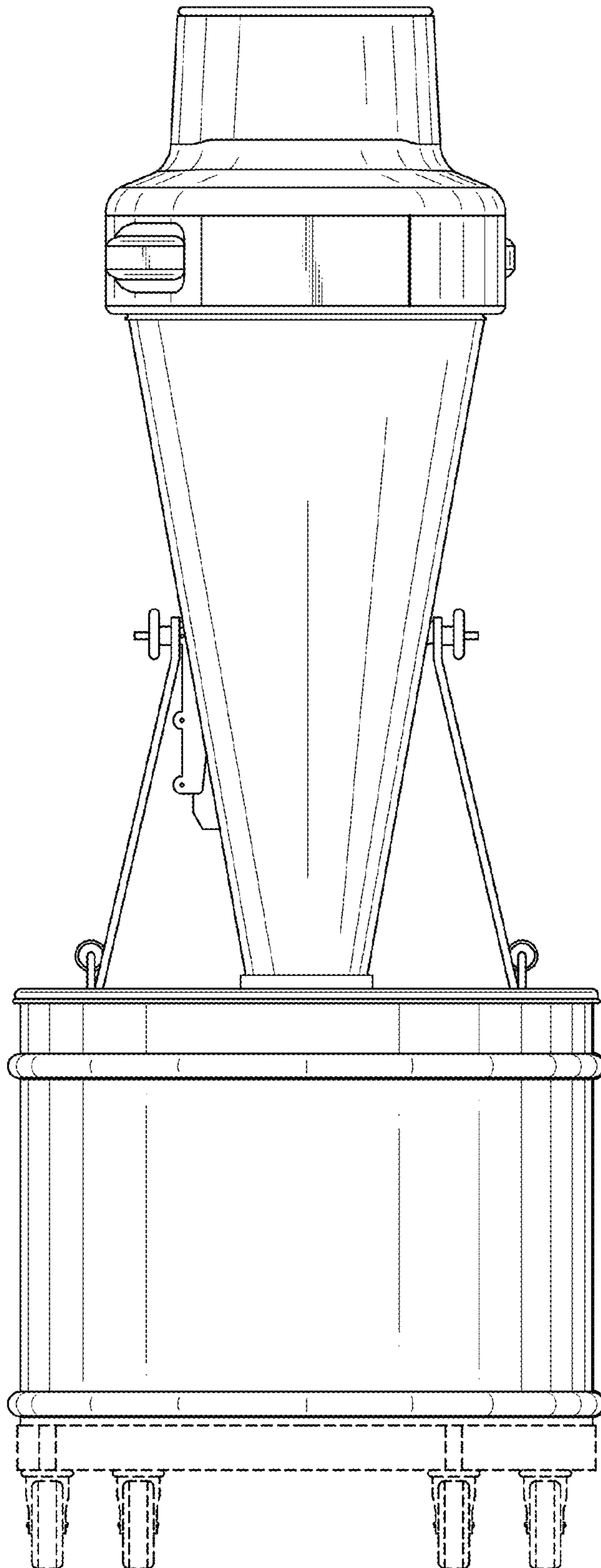


FIG.5

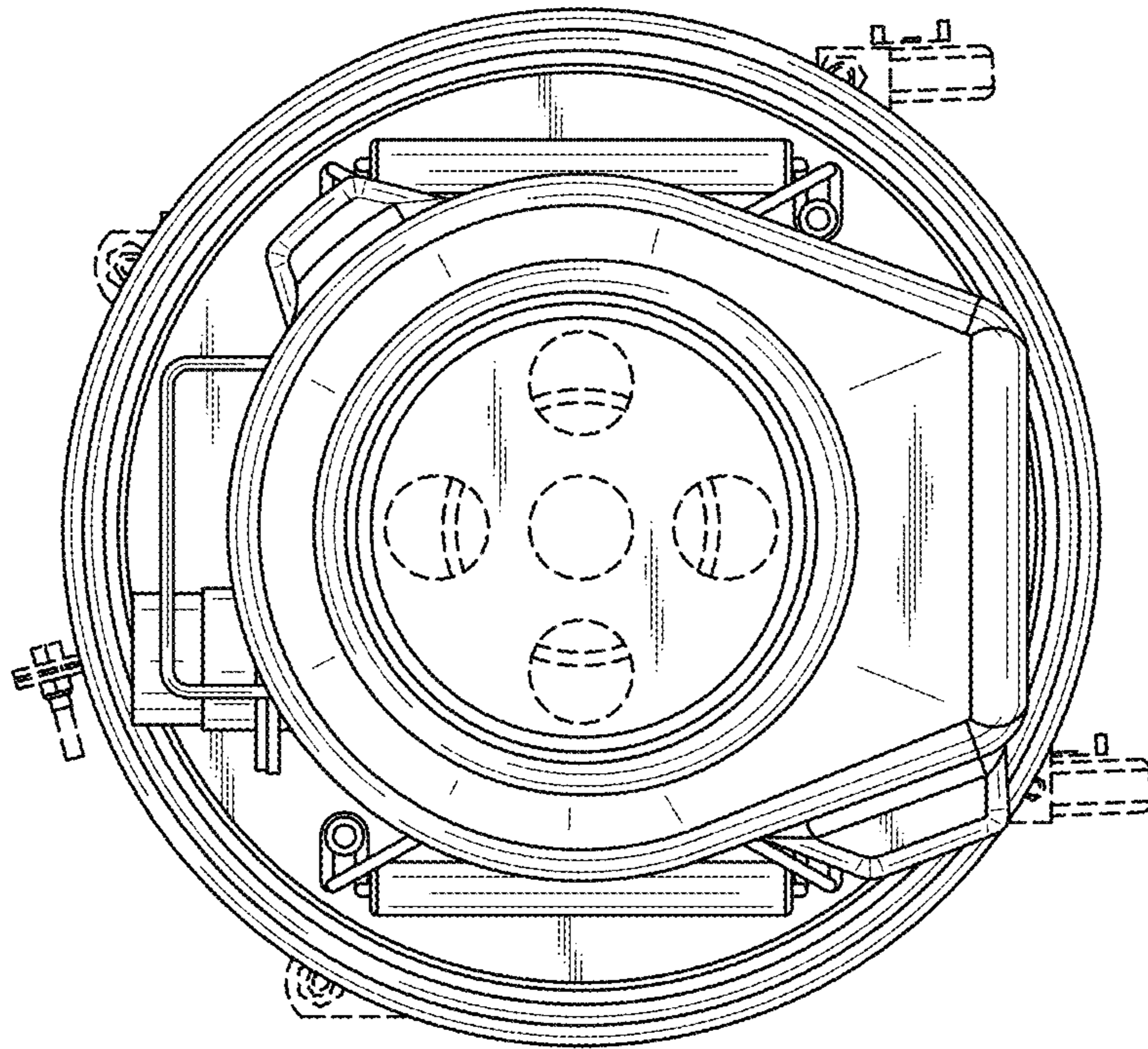


FIG.6