

US00D690063S

(12) **United States Design Patent**
Kent et al.

(10) **Patent No.:** **US D690,063 S**

(45) **Date of Patent:** **** Sep. 17, 2013**

(54) **CLEANING MACHINE**

(75) Inventors: **Steven Rodger Kent**, Ash Flat, AR
(US); **Willie Dee Kent**, Oro Valley, AZ
(US)

(73) Assignee: **Kent Research Corporation**, Ash Flat,
AR (US)

(**) Term: **14 Years**

(21) Appl. No.: **29/410,856**

(22) Filed: **Jan. 12, 2012**

(51) **LOC (9) Cl.** **15-05**

(52) **U.S. Cl.**
USPC **D32/20; D32/22**

(58) **Field of Classification Search**
USPC D32/22, 30-31, 34, 19-20; 55/429,
55/337, DIG. 3; 15/410, 347, 328, 350, 352,
15/353, 361, DIG. 8, 246.2, 320-322, 409,
15/28, 23, 179, 97.1, 24; 451/466
See application file for complete search history.

(56) **References Cited**

U.S. PATENT DOCUMENTS

D317,667	S *	6/1991	Bolser et al.	D32/19
D498,027	S *	11/2004	Alsruh et al.	D32/19
D507,387	S *	7/2005	Jacobs	D32/22
7,703,165	B2 *	4/2010	Wilkins	15/23
8,060,967	B1 *	11/2011	Johnson, Jr.	15/23
D653,825	S *	2/2012	Cho et al.	D32/22
8,341,803	B2 *	1/2013	Gardner et al.	15/322
2009/0217470	A1 *	9/2009	Wilkins	15/24

2009/0265876	A1 *	10/2009	Gardner et al.	15/322
2012/0167317	A1 *	7/2012	Garcia	15/97.1
2012/0204376	A1 *	8/2012	Charlton	15/322

OTHER PUBLICATIONS

BR Vario Cylindrical Brush Floor Machine, Chicago, IL, Tornado Industries, 2005, Sales Brochure.
Sebo duo Cleaning System, Germany, Stein & Co. GmbH, Aug. 2002, Sales Brochure.
Sebo duo Brush Machine, Germany, Stein & Co. GmbH, May 2006, Sales Brochure.
iCapsol Mini iCapsol Mini Deluxe, Englewood, CO, Windsor Industries, Inc., 2007, Sales Brochure.
iCapsol Mini iCapsol Mini Deluxe, Englewood, CO, Windsor Industries, Inc., 2008, Sales Brochure.

* cited by examiner

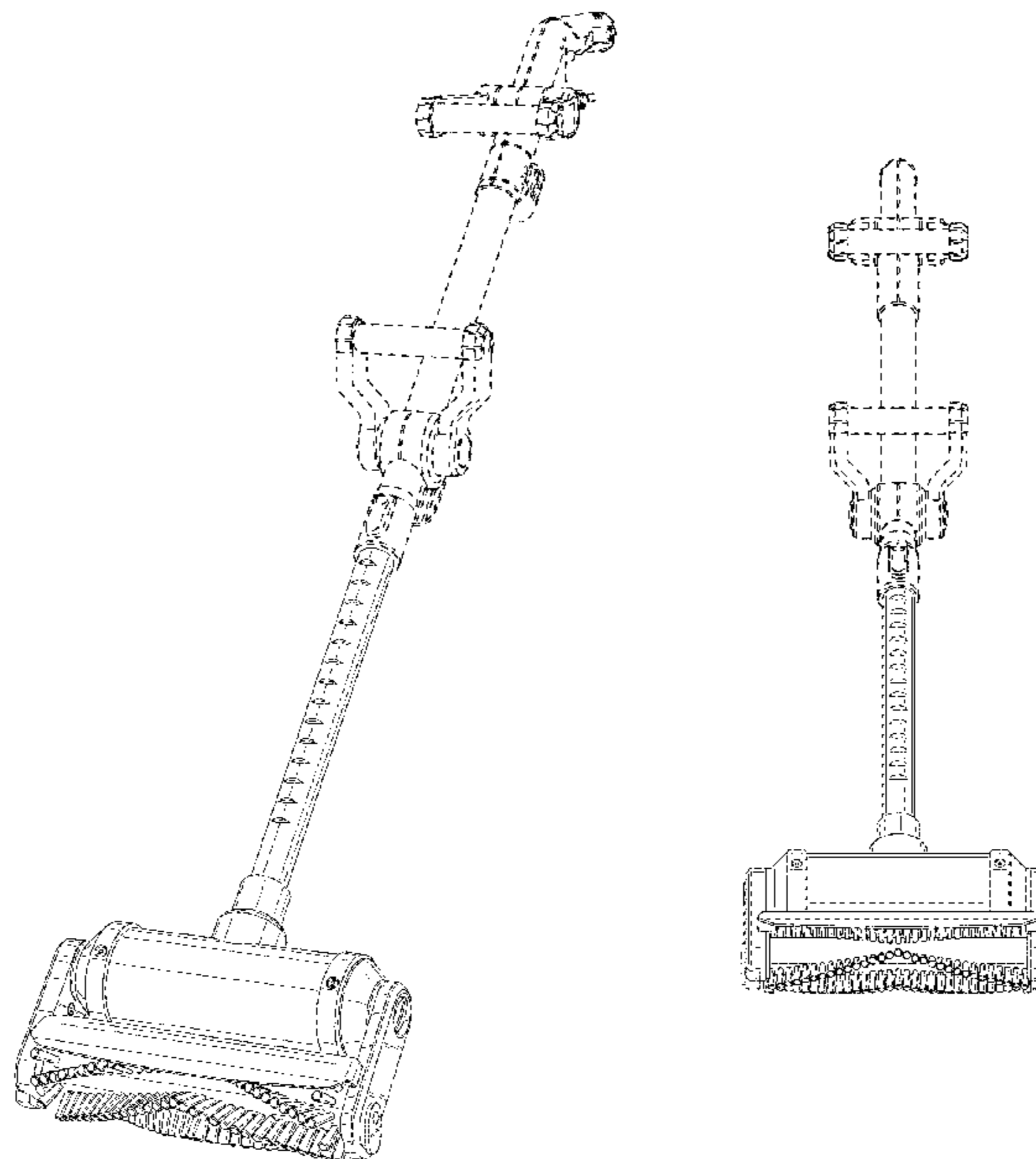
Primary Examiner — Ruth McInroy
(74) *Attorney, Agent, or Firm* — Stoel Rives, LLP

(57) **CLAIM**
The ornamental design for a cleaning machine, as shown and described.

DESCRIPTION

FIG. 1 is an isometric view of a cleaning machine showing our new design;
FIG. 2 is a front elevation view thereof;
FIG. 3 is a rear elevation view thereof;
FIG. 4 is a left side elevation view thereof;
FIG. 5 is a right side elevation view thereof;
FIG. 6 is a top plan view thereof;
FIG. 7 is a bottom plan view thereof; and,
FIG. 8 is an isometric view thereof in a collapsed position.
The broken lines are for illustrative purposes only and form no part of the claimed design.

1 Claim, 6 Drawing Sheets



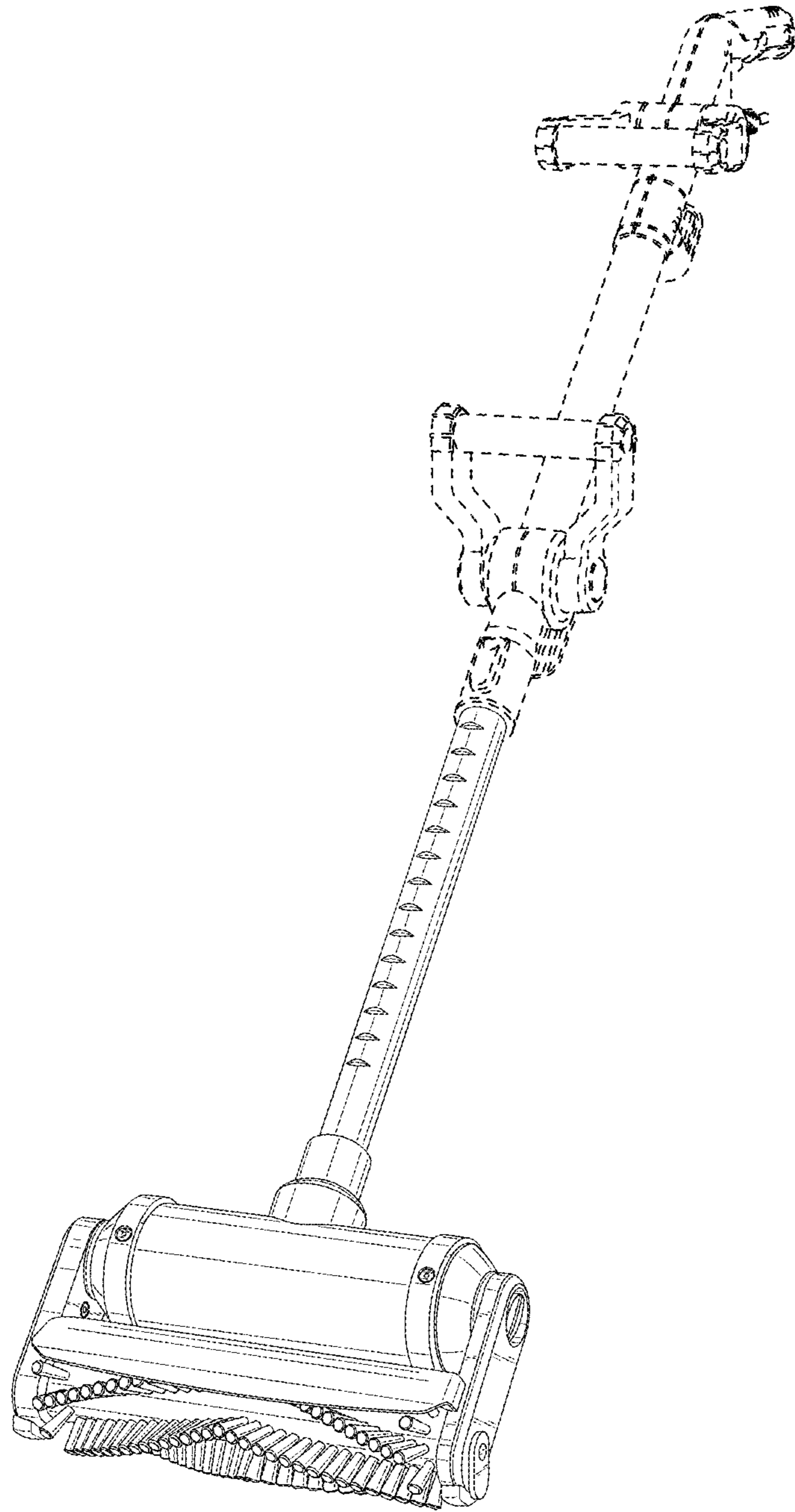


FIG. 1

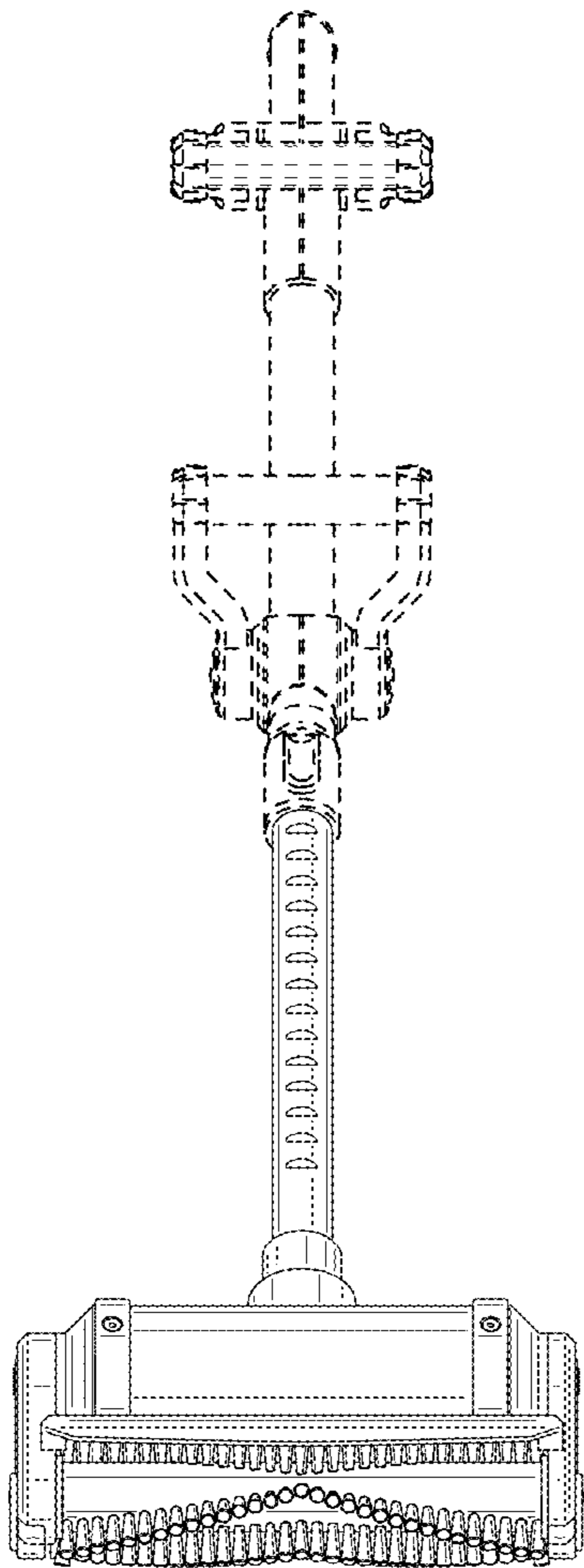


FIG. 2

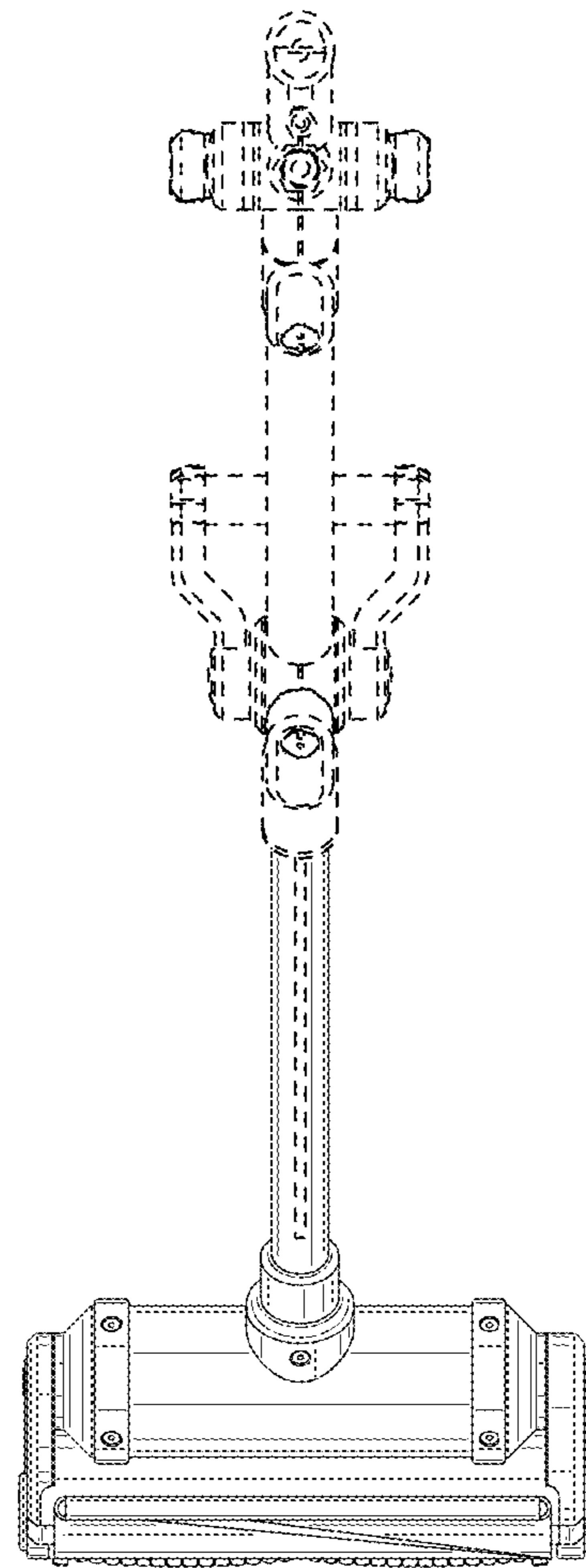


FIG. 3

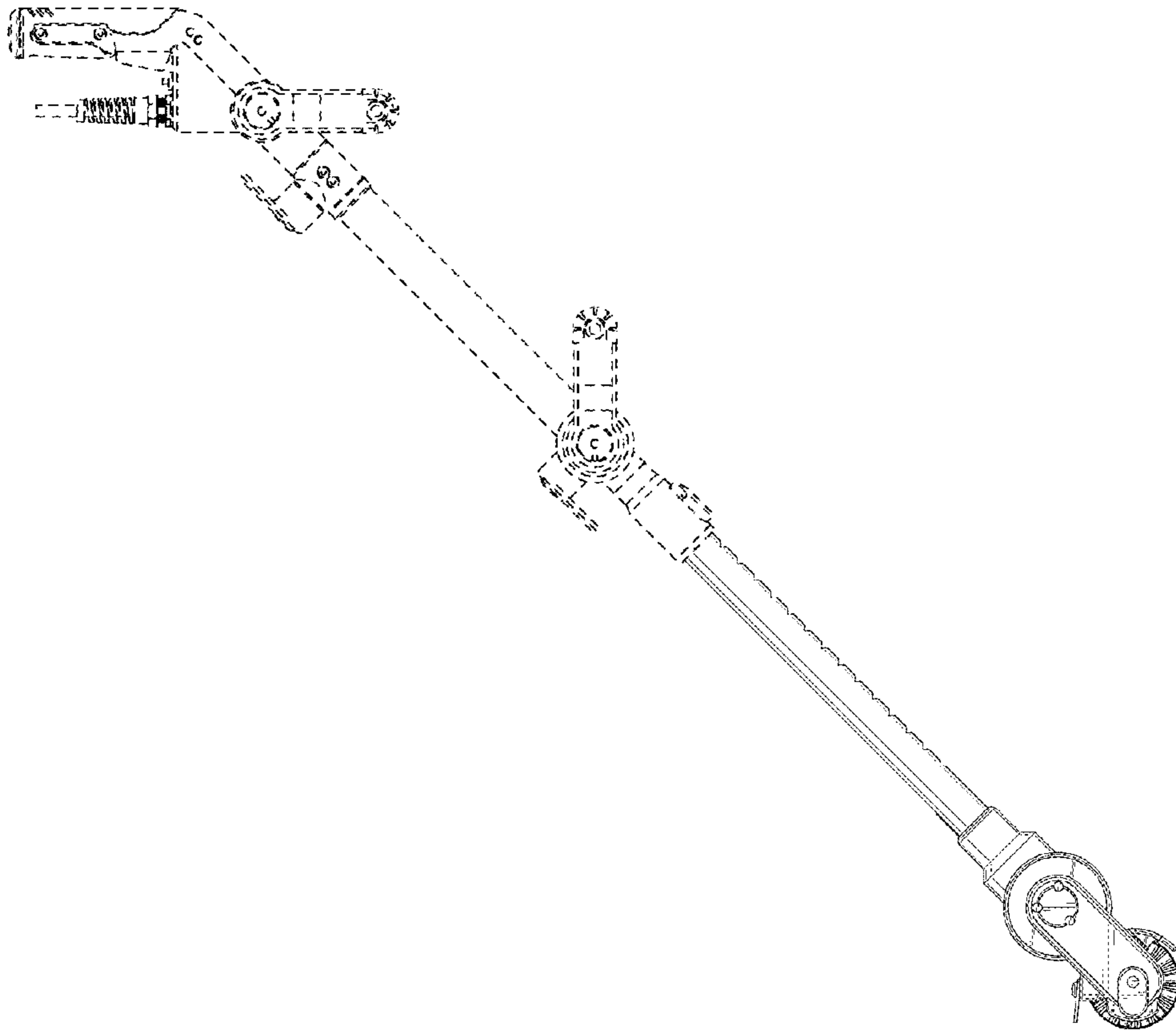


FIG. 4

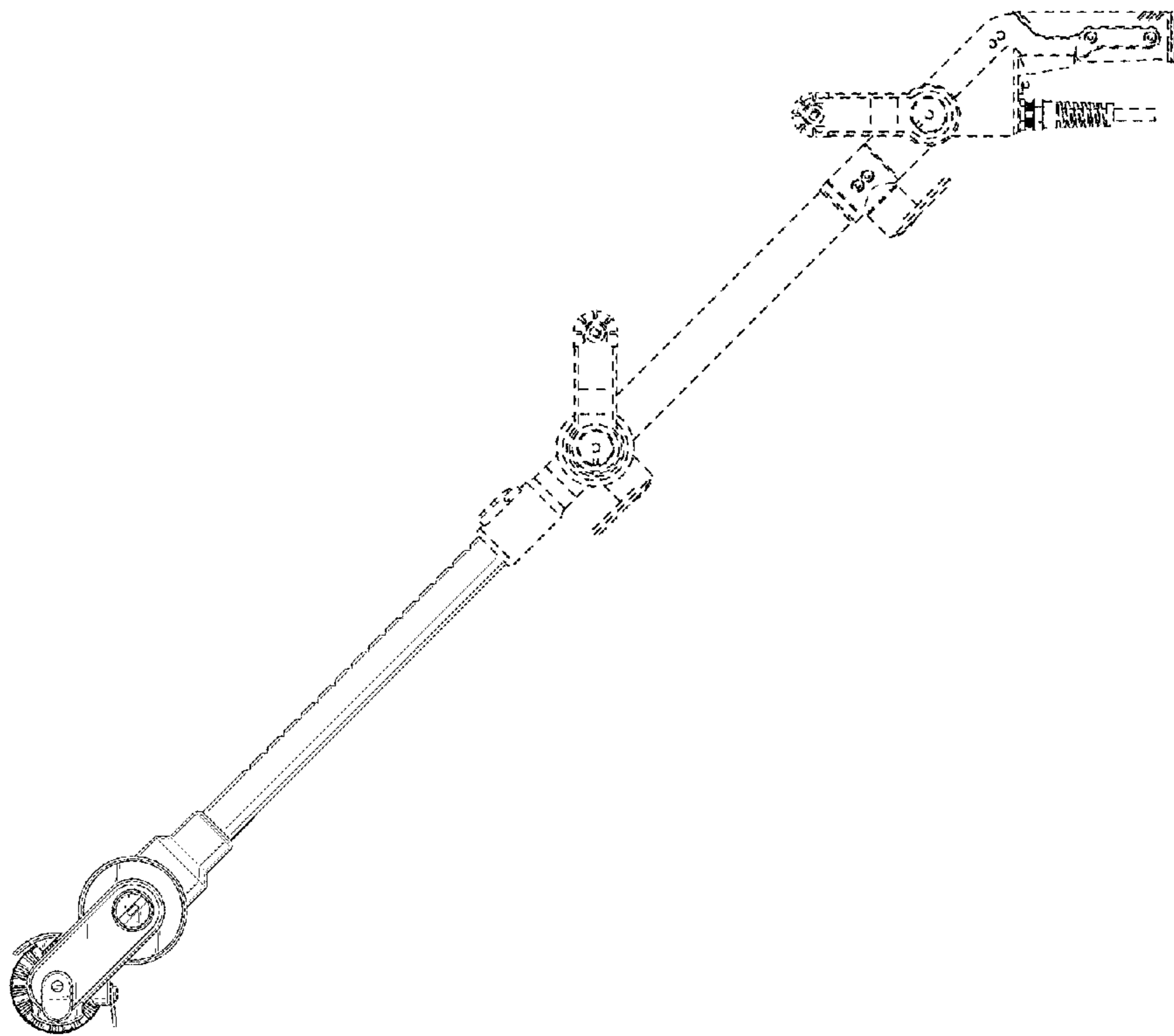


FIG. 5

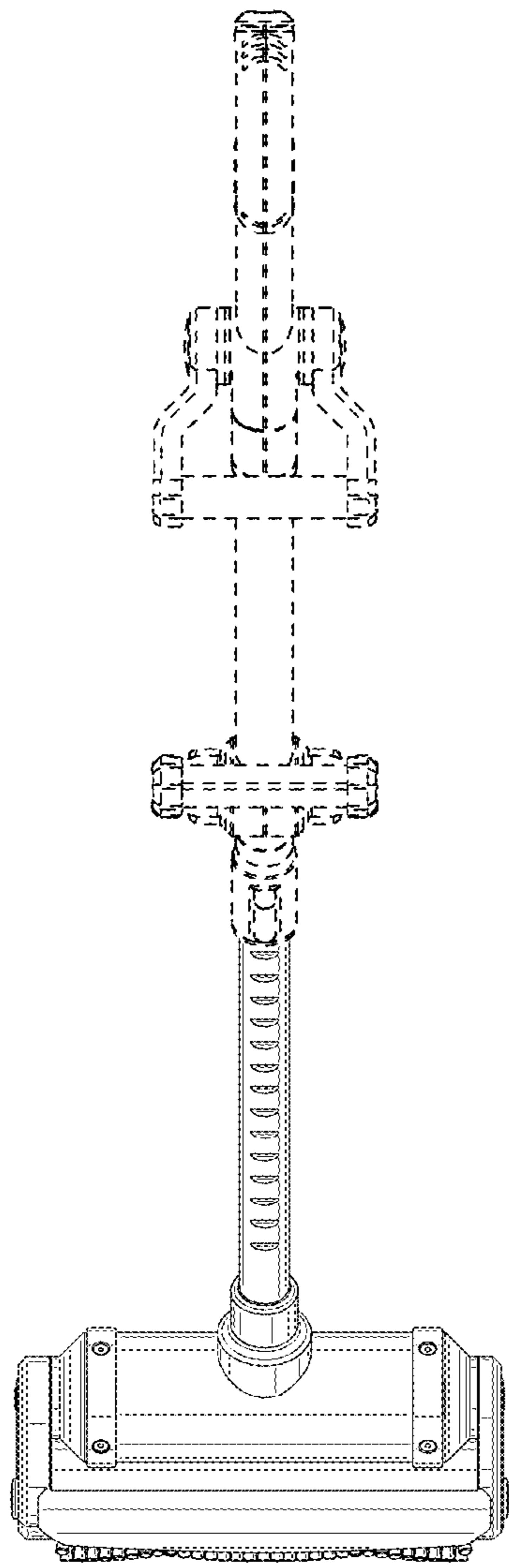


FIG. 6

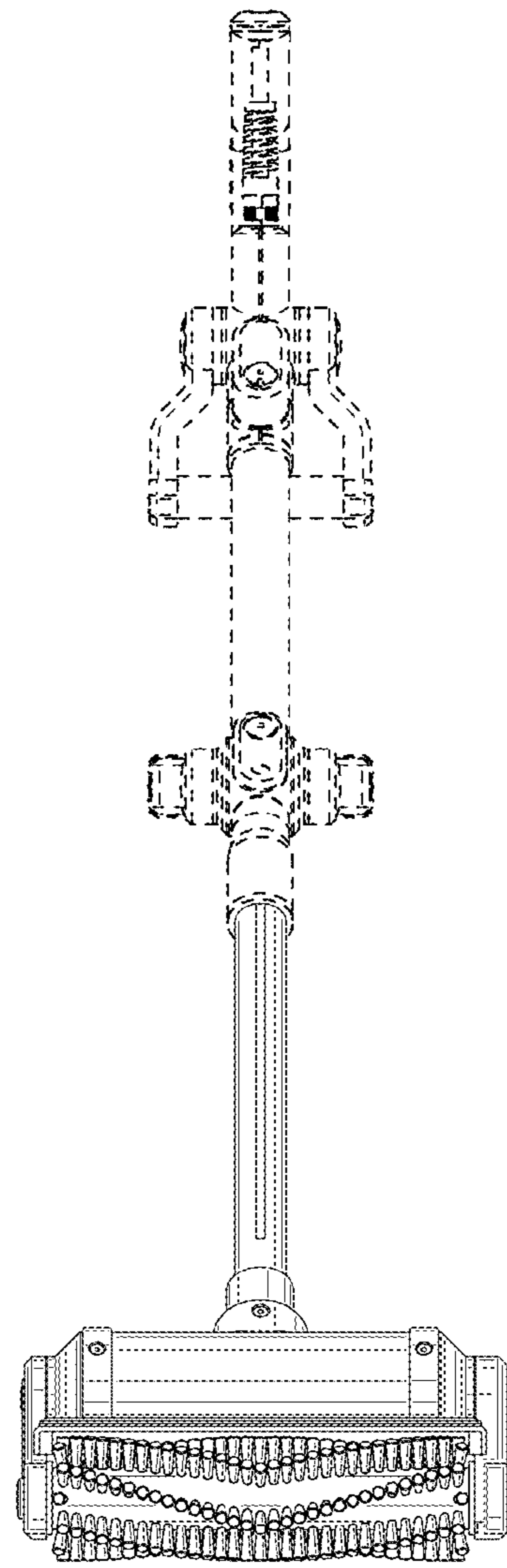


FIG. 7

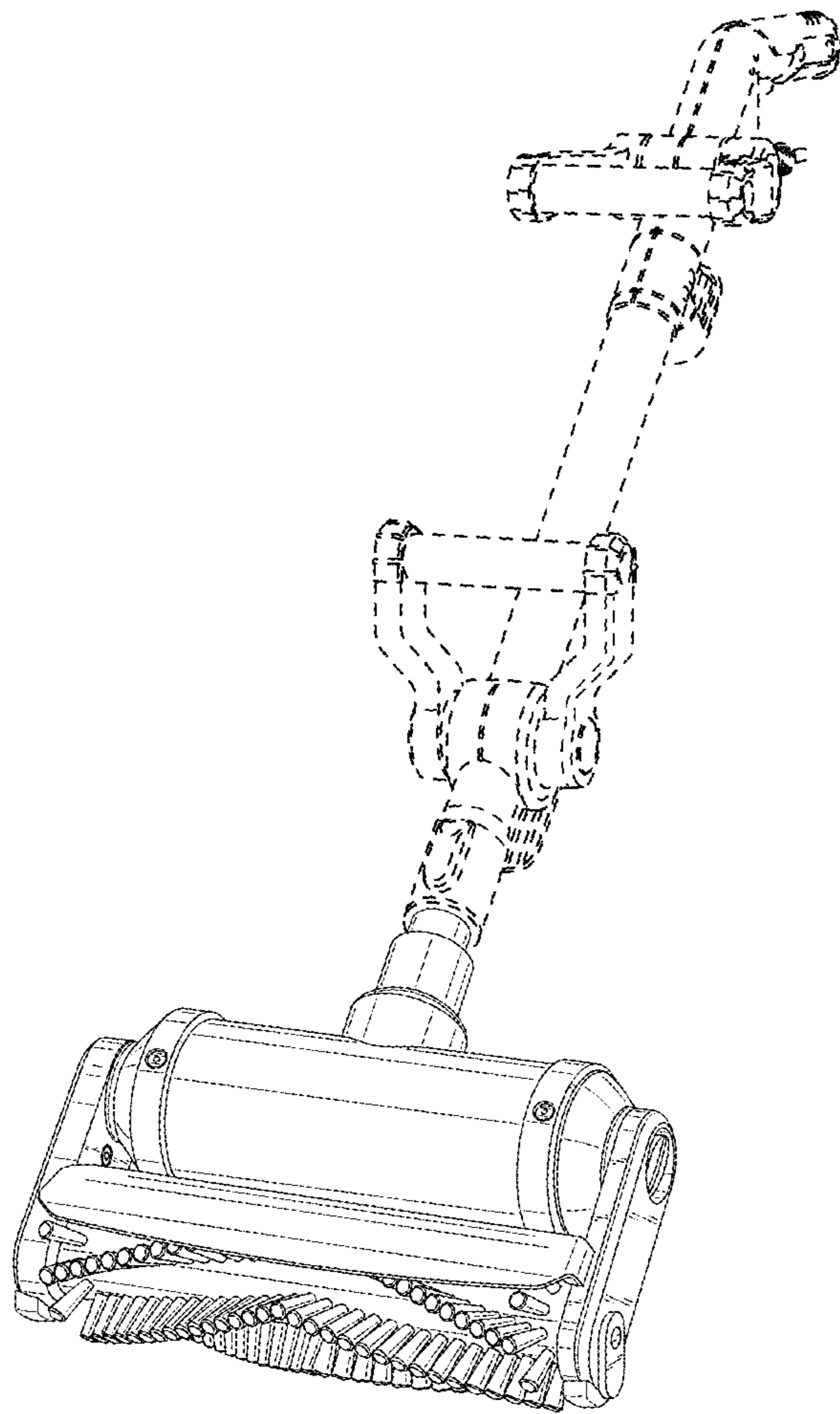


FIG. 8