



US00D690057S

(12) **United States Design Patent**
Wehr

(10) **Patent No.:** **US D690,057 S**

(45) **Date of Patent:** **** Sep. 17, 2013**

(54) **BASKETBALL-SHAPED FISH AQUARIUM**

(71) Applicant: **Dan Wehr**, Las Vegas, NV (US)

(72) Inventor: **Dan Wehr**, Las Vegas, NV (US)

(**) Term: **14 Years**

(21) Appl. No.: **29/436,778**

(22) Filed: **Nov. 8, 2012**

(51) **LOC (9) Cl.** **30-02**

(52) **U.S. Cl.**
USPC **D30/102; D21/714**

(58) **Field of Classification Search**
USPC D30/101-107, 115, 117; D11/145;
119/245-248, 253, 265-267, 269; 446/153;
D21/372, 713-714; D14/403
See application file for complete search history.

(56) **References Cited**

U.S. PATENT DOCUMENTS

D90,032 S * 5/1933 Janis D30/103
D98,762 S * 3/1936 Franklin D30/103
D231,008 S * 3/1974 Hullender D30/104

D248,986 S * 8/1978 Nakata D21/713
D291,426 S * 8/1987 Husbands D11/145
D415,929 S * 11/1999 D'Arrigo D7/515
D421,033 S * 2/2000 Shirley et al. D21/713
D473,271 S * 4/2003 Yoshida et al. D30/101
D663,793 S * 7/2012 Guarrasi D21/713

* cited by examiner

Primary Examiner — Wan Laymon

(74) *Attorney, Agent, or Firm* — QuickPatents; Kevin Prince

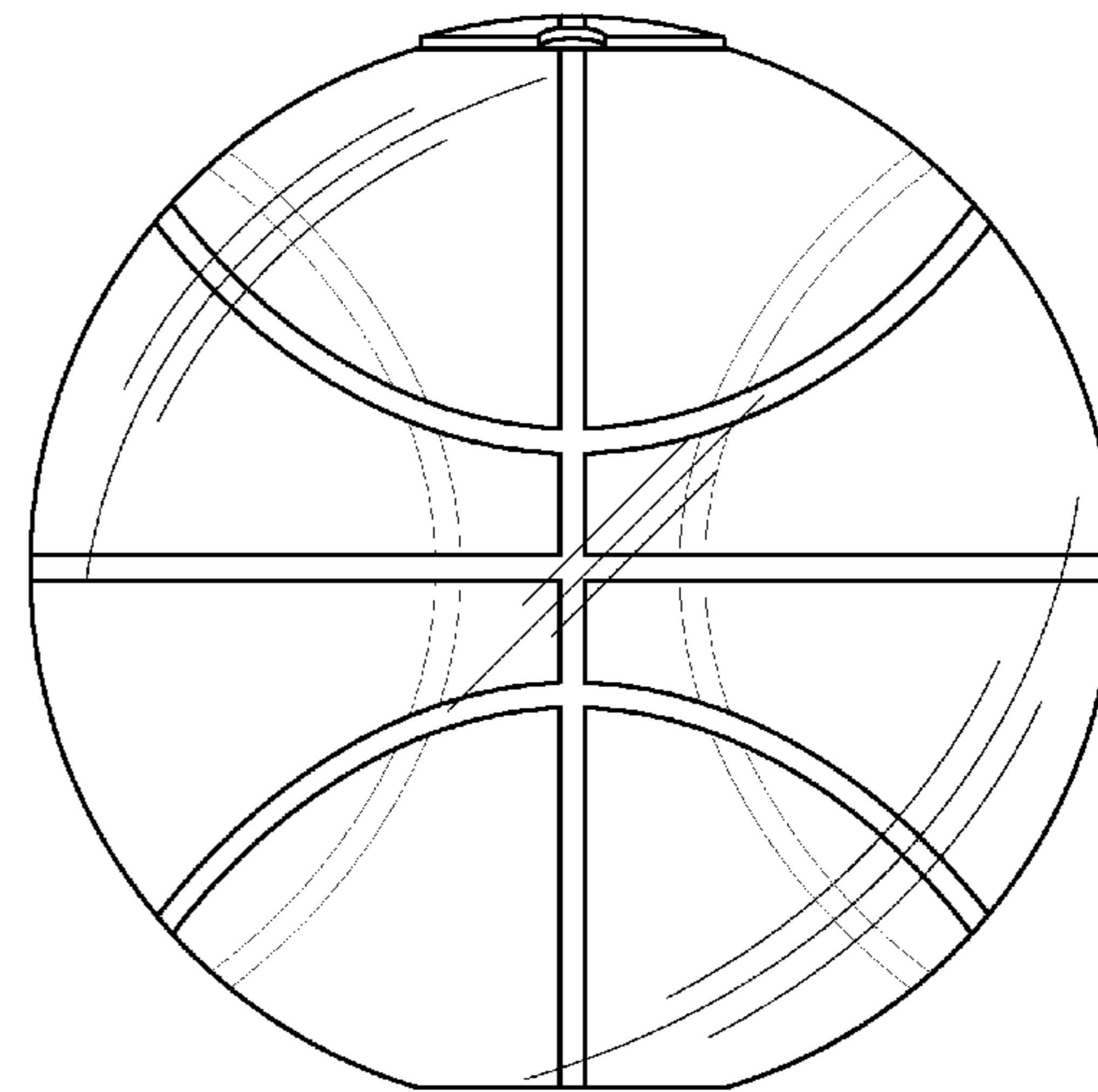
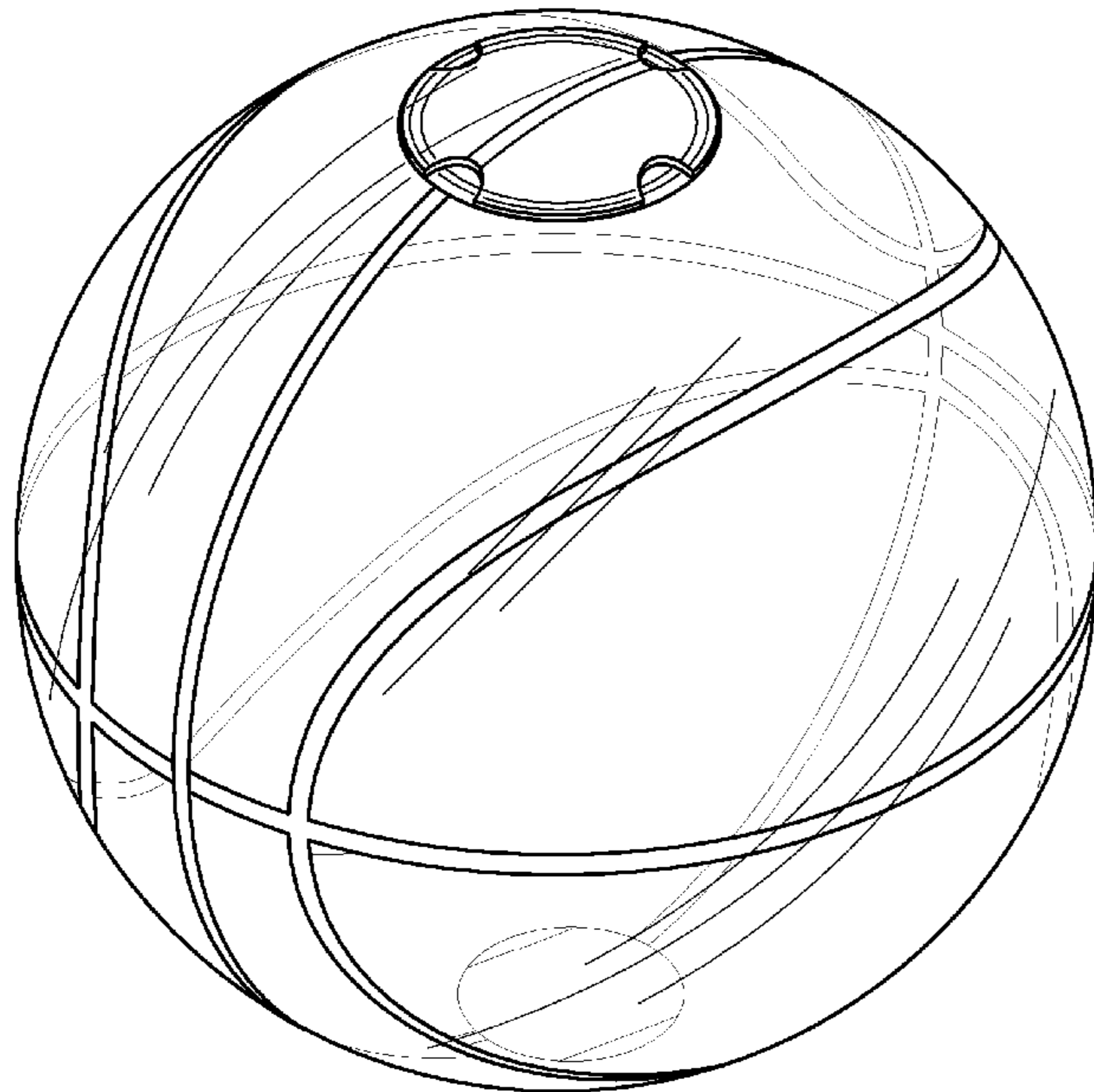
(57) **CLAIM**

I claim the ornamental design for a basketball-shaped fish aquarium, as shown and described.

DESCRIPTION

FIG. 1 is a perspective view of a basketball-shaped fish aquarium, showing my new design;
FIG. 2 is a front elevational view thereof;
FIG. 3 is a rear elevational view thereof;
FIG. 4 is a top plan view thereof;
FIG. 5 is a bottom plan view thereof; and,
FIG. 6 is a left-side elevational view thereof, the right-side elevational view being a mirror image thereof.

1 Claim, 4 Drawing Sheets



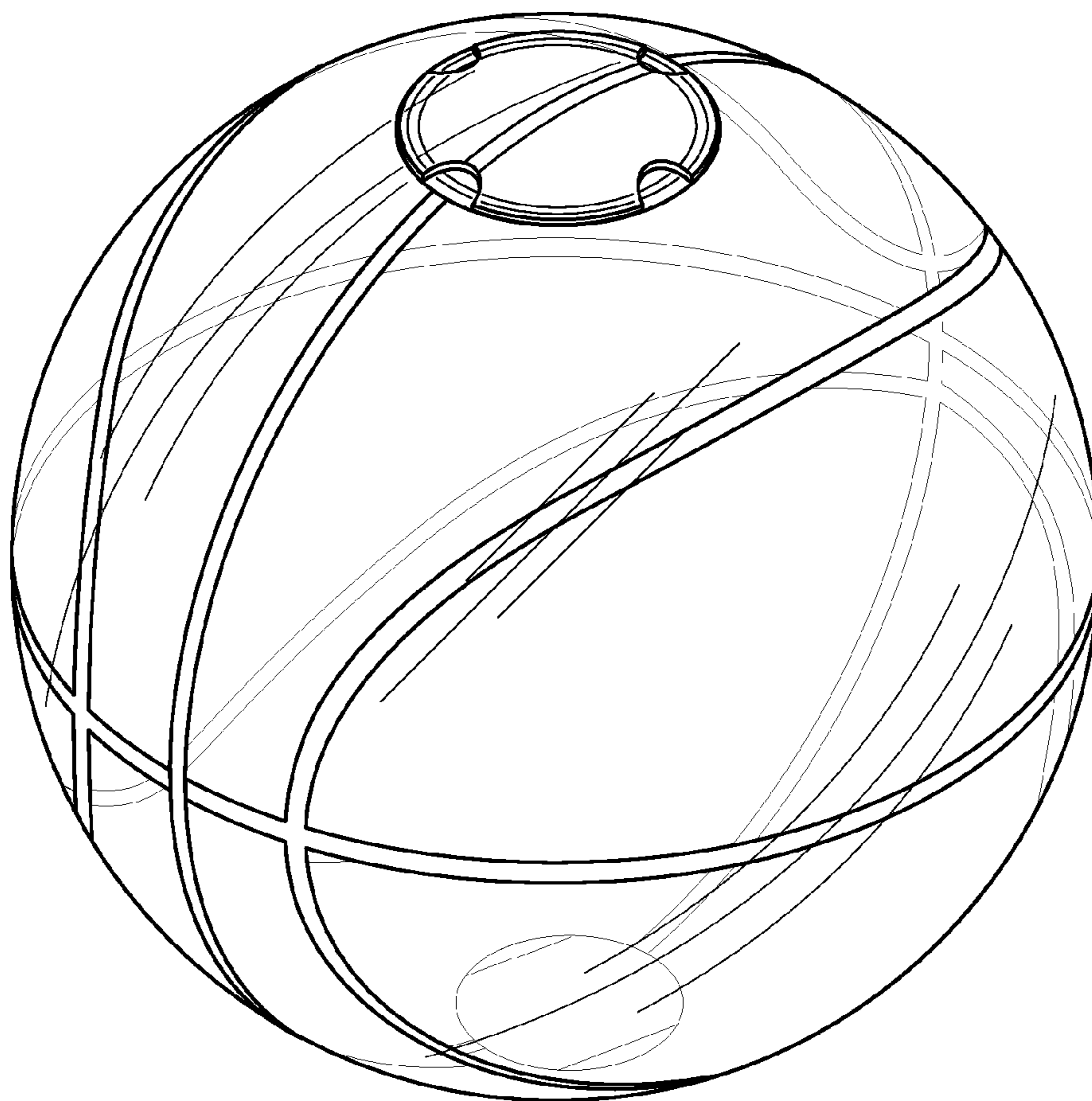


FIG. 1

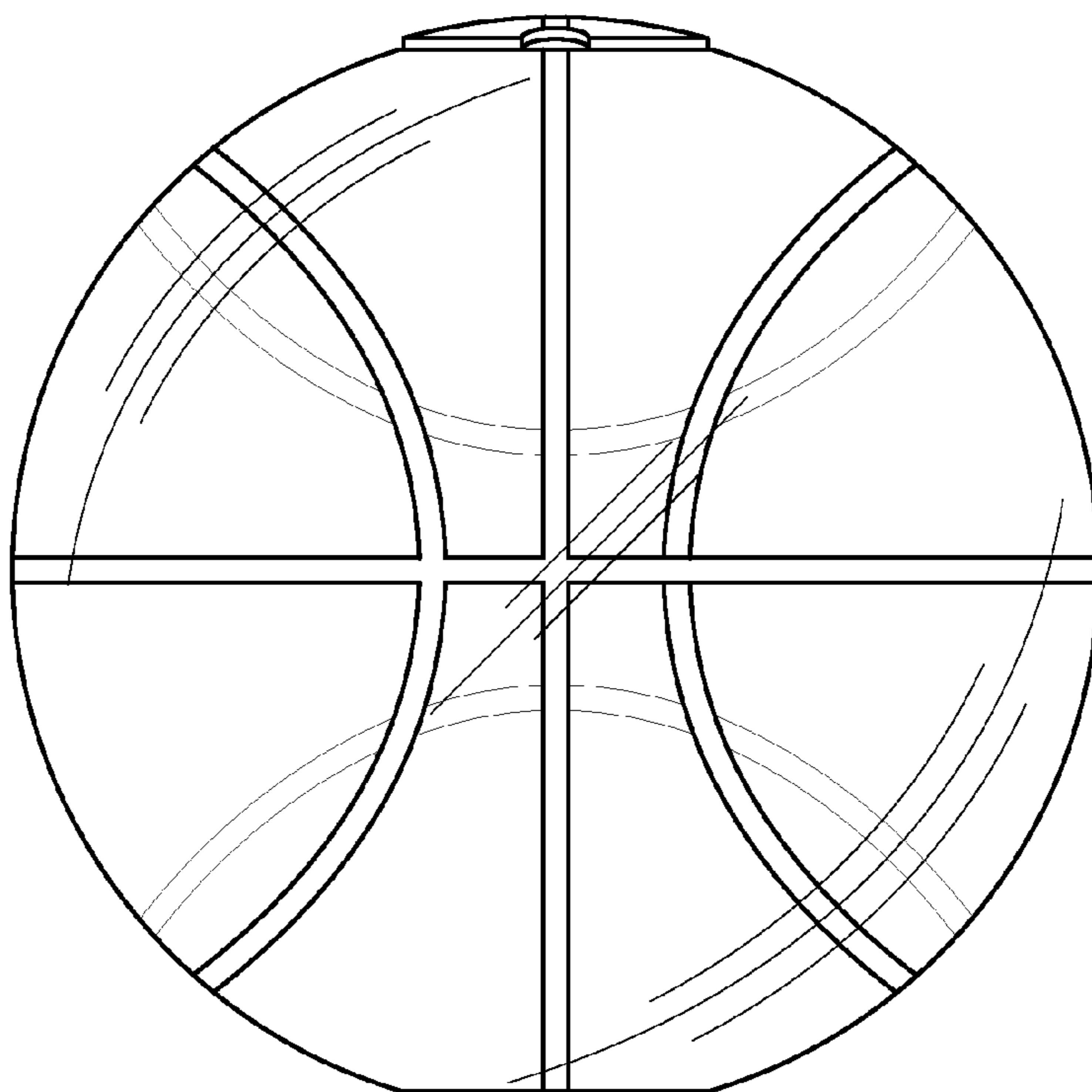


FIG. 2

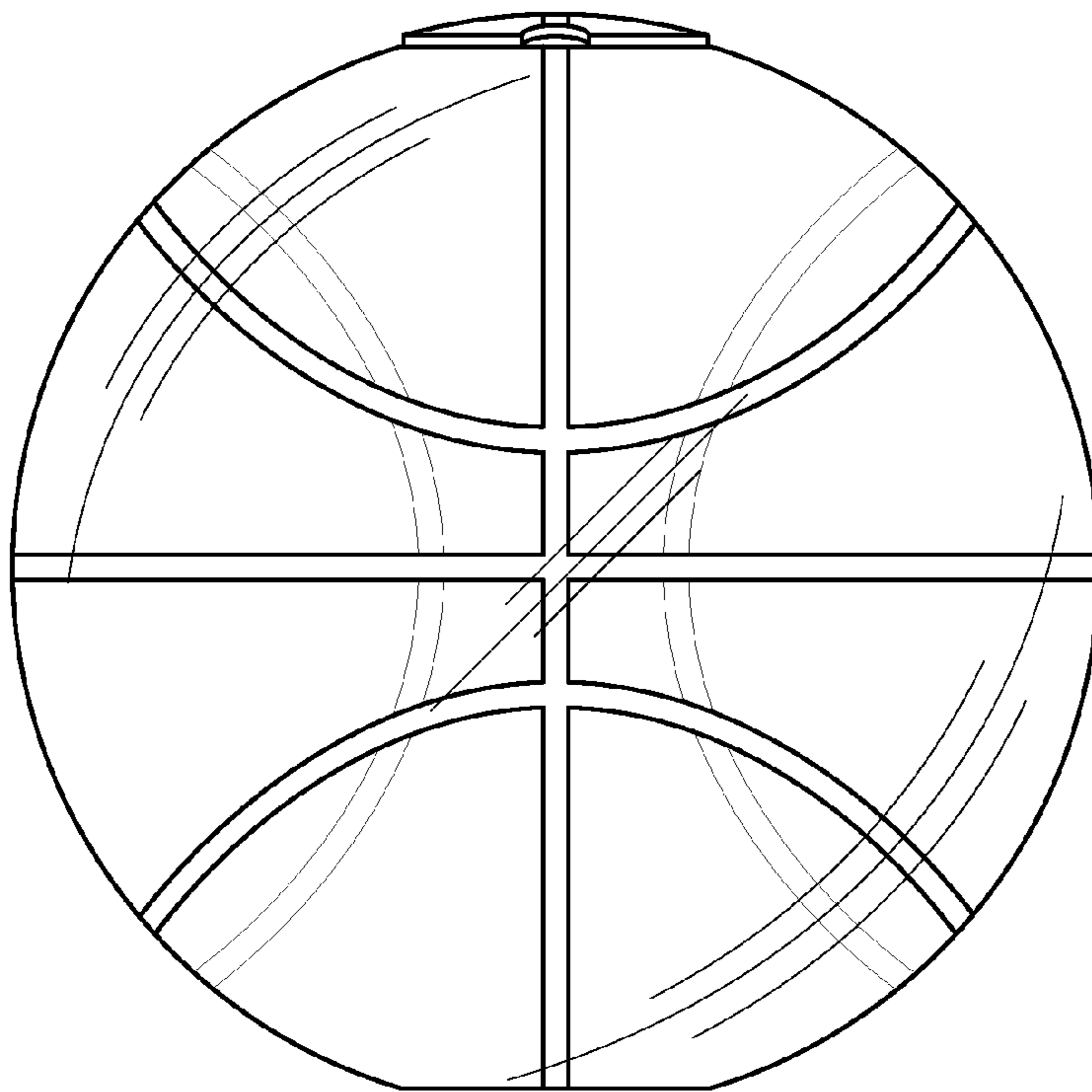


FIG. 3

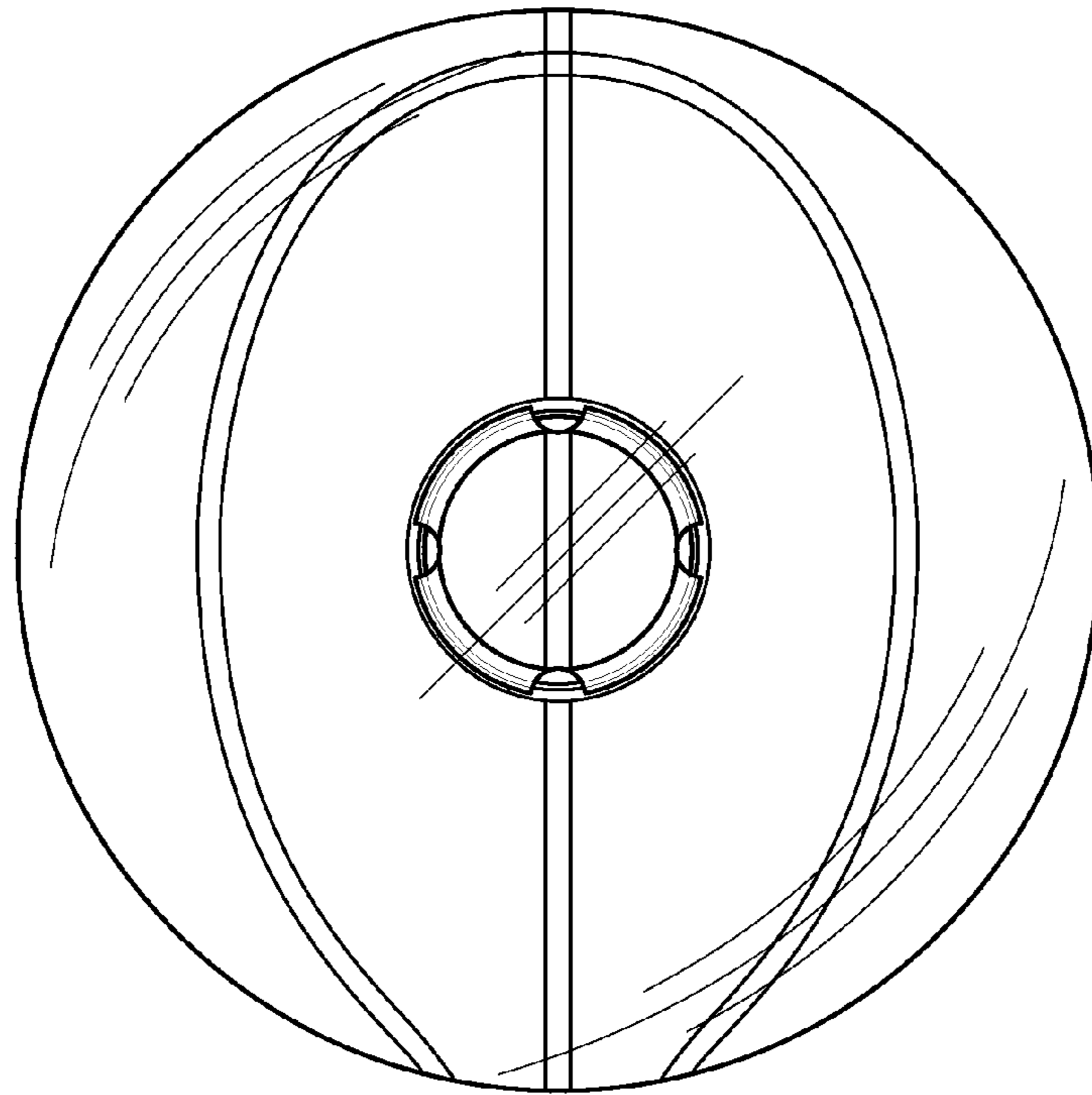


FIG. 4

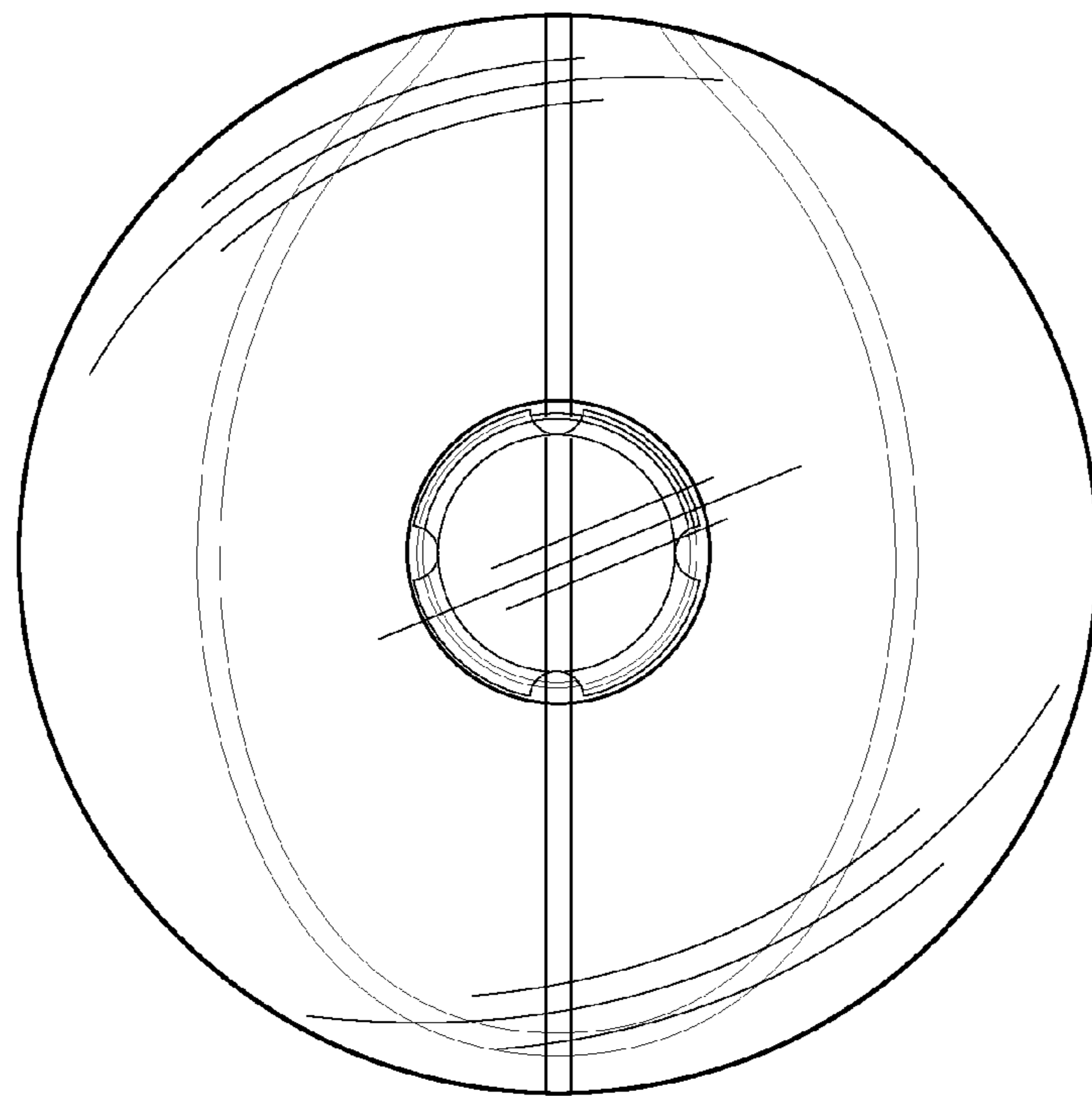


FIG. 5

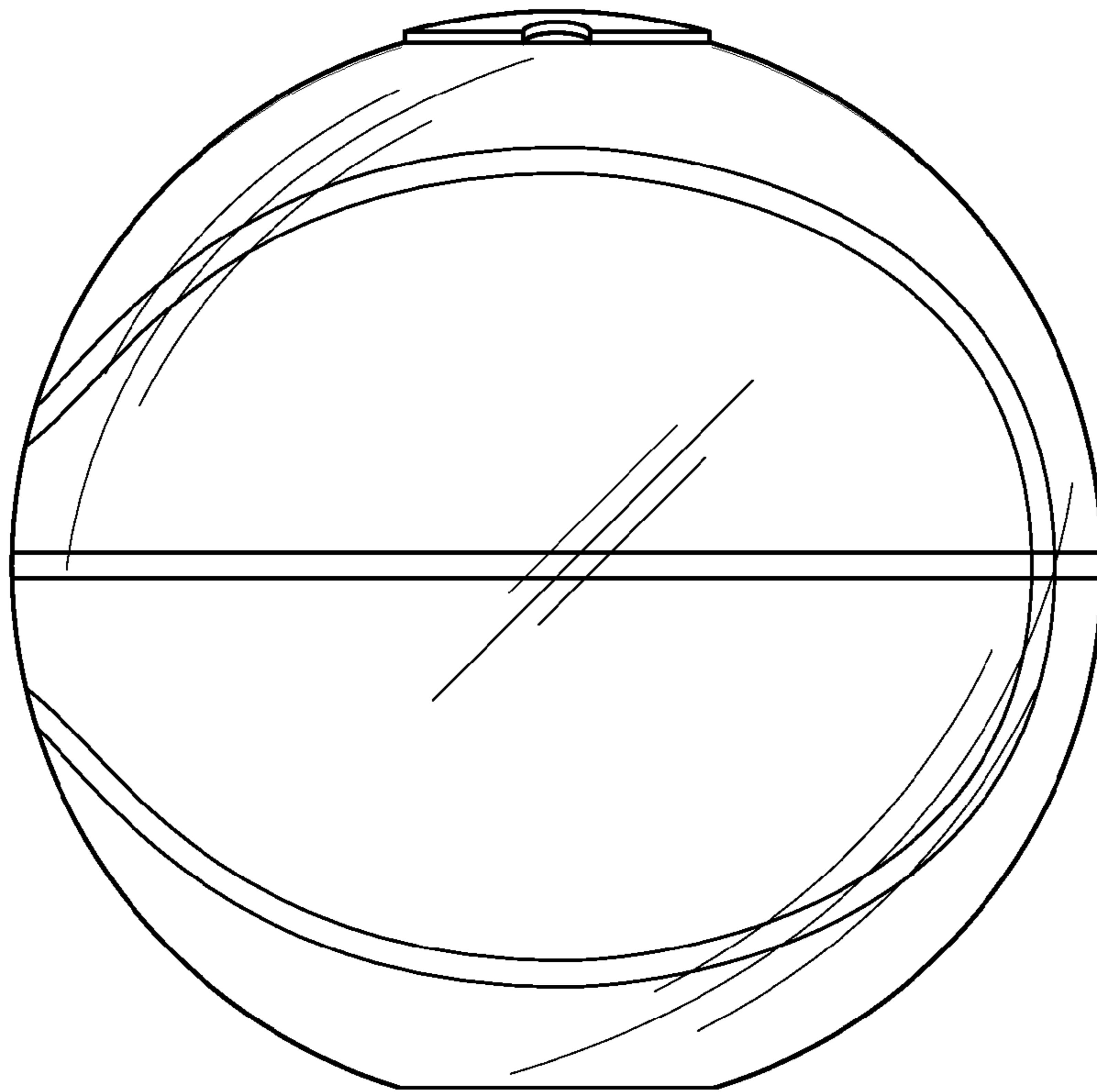


FIG. 6