



US00D690053S

(12) **United States Design Patent**  
**Zhang et al.**

(10) **Patent No.:** **US D690,053 S**

(45) **Date of Patent:** **\*\* Sep. 17, 2013**

(54) **HEAT SINK FOR A LAMP**

(75) Inventors: **Shiyong Zhang**, Acton, MA (US);  
**Yichong Zeng**, Chelmsford, MA (US)

(73) Assignee: **OSRAM SYLVANIA Inc.**, Danvers,  
MA (US)

(\*\*) Term: **14 Years**

(21) Appl. No.: **29/429,387**

(22) Filed: **Aug. 10, 2012**

(51) **LOC (9) Cl.** ..... **26-99**

(52) **U.S. Cl.**  
USPC ..... **D26/118**

(58) **Field of Classification Search**

USPC ..... D26/118, 119, 120, 67, 68, 69, 62,  
D26/63, 85, 86, 121, 122, 65, 124, 125, 139,  
D26/138, 140, 155, 154, 72, 76, 75, 64, 66,  
D26/71, 78, 79, 84, 137, 136, 126, 127, 128,  
D26/129, 135, 132, 134, 142, 144, 145, 147,  
D26/152, 1, 2, 3, 87, 88, 24, 25, 26, 28, 89,  
D26/90, 91, 92;  
362/225, 326, 147, 249.01-249.12, 346,  
362/223, 224, 306, 149, 362, 217.05, 342,  
362/217.03, 297, 294, 235, 329, 476, 555,  
362/218; D13/179, 180

See application file for complete search history.

(56) **References Cited**

**U.S. PATENT DOCUMENTS**

D516,229 S \* 2/2006 Tang ..... D26/2  
D541,957 S \* 5/2007 Wang ..... D26/2  
D545,457 S \* 6/2007 Chen ..... D26/2  
D584,428 S \* 1/2009 Li et al. .... D26/2  
D586,497 S \* 2/2009 Wu et al. .... D26/118  
D601,275 S \* 9/2009 Ho et al. .... D26/2  
D612,956 S \* 3/2010 Moon ..... D26/2

D618,369 S \* 6/2010 Lee et al. .... D26/2  
D623,779 S \* 9/2010 Wang et al. .... D26/2  
D624,692 S \* 9/2010 Mackin et al. .... D26/142  
D626,260 S \* 10/2010 Wei ..... D26/2  
D628,720 S \* 12/2010 Wang ..... D26/2  
D630,347 S \* 1/2011 Pei et al. .... D26/2

(Continued)

**FOREIGN PATENT DOCUMENTS**

EP 2256403 A2 12/2010  
WO 2011029724 A1 3/2011

**OTHER PUBLICATIONS**

Brochure showing Osram Sylvania Ultra LED Narrow Beam PAR 38 Lamp, one design created by Shiyong Zhang, Yichong Zeng and Phil Rioux, exhibited May 7, 2012 at Las Vegas Light Fair Trade Show, Nevada, USA (1 page).

(Continued)

*Primary Examiner* — Kevin Rudzinski

(74) *Attorney, Agent, or Firm* — Edward S. Podszus

(57)

**CLAIM**

The ornamental design for a heat sink for a lamp, as shown and described.

**DESCRIPTION**

FIG. 1 is a perspective view of the new design for a heat sink for a lamp as seen from the front, top;  
FIG. 2 is a rear perspective view as seen from the rear, side thereof;

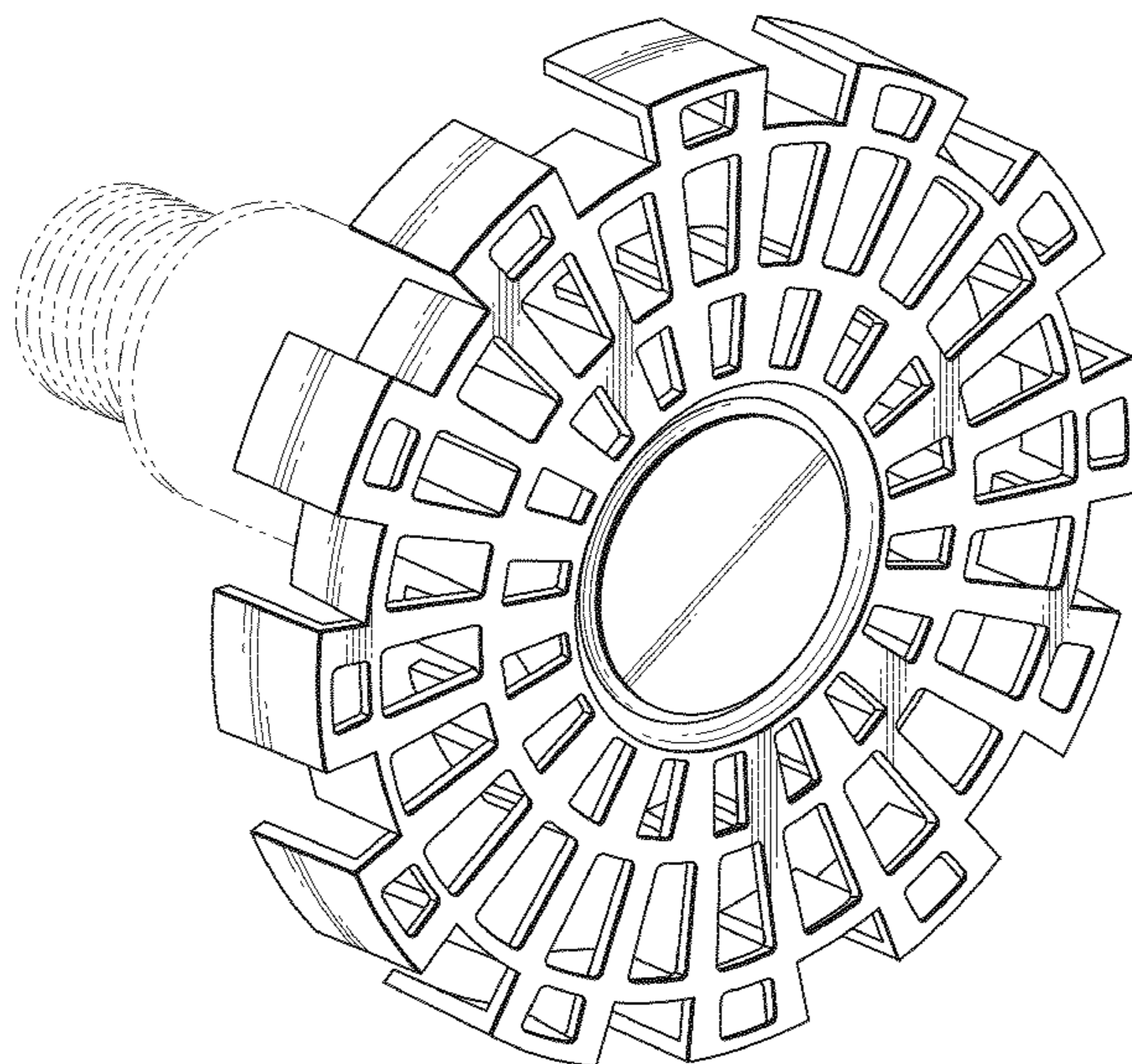
FIG. 3 is a side elevational view thereof;

FIG. 4 is a top plan view thereof; and,

FIG. 5 is a rear plan view thereof.

The broken lines illustrating portions of the heat sink for a lamp show environmental features and form no part of the claimed design.

**1 Claim, 5 Drawing Sheets**



(56)

**References Cited**

U.S. PATENT DOCUMENTS

D633,224 S \* 2/2011 Lee ..... D26/2  
D634,870 S \* 3/2011 Shen et al. .... D26/52  
D644,352 S \* 8/2011 Layevsky et al. .... D26/2  
D644,355 S \* 8/2011 Layevsky et al. .... D26/2  
D646,406 S \* 10/2011 Tsai et al. .... D26/2  
D657,477 S \* 4/2012 Tu ..... D26/2  
D667,969 S \* 9/2012 Rioux et al. .... D26/2  
D672,480 S \* 12/2012 Maxik et al. .... D26/2  
D674,960 S \* 1/2013 Chen et al. .... D26/113  
D676,986 S \* 2/2013 Maxik et al. .... D26/2  
2007/0253202 A1\* 11/2007 Wu et al. .... 362/294  
2010/0133578 A1 6/2010 Pickard et al.

OTHER PUBLICATIONS

Applicants' pending Design U.S. Appl. No. 29/395,473, filed Jan. 27, 2012 naming inventors Phil Rioux, Shiyong Zhang and Yichong Zeng.  
Applicants' pending Design U.S. Appl. No. 29/395,476, filed Jan. 27, 2012 naming inventors Shiyong Zhang and Yichong Zeng.  
Applicants' pending Design U.S. Appl. No. 29/427,553, filed Jul. 19, 2012 naming inventors Phil Rioux, Shiyong Zhang and Yichong Zeng.

\* cited by examiner



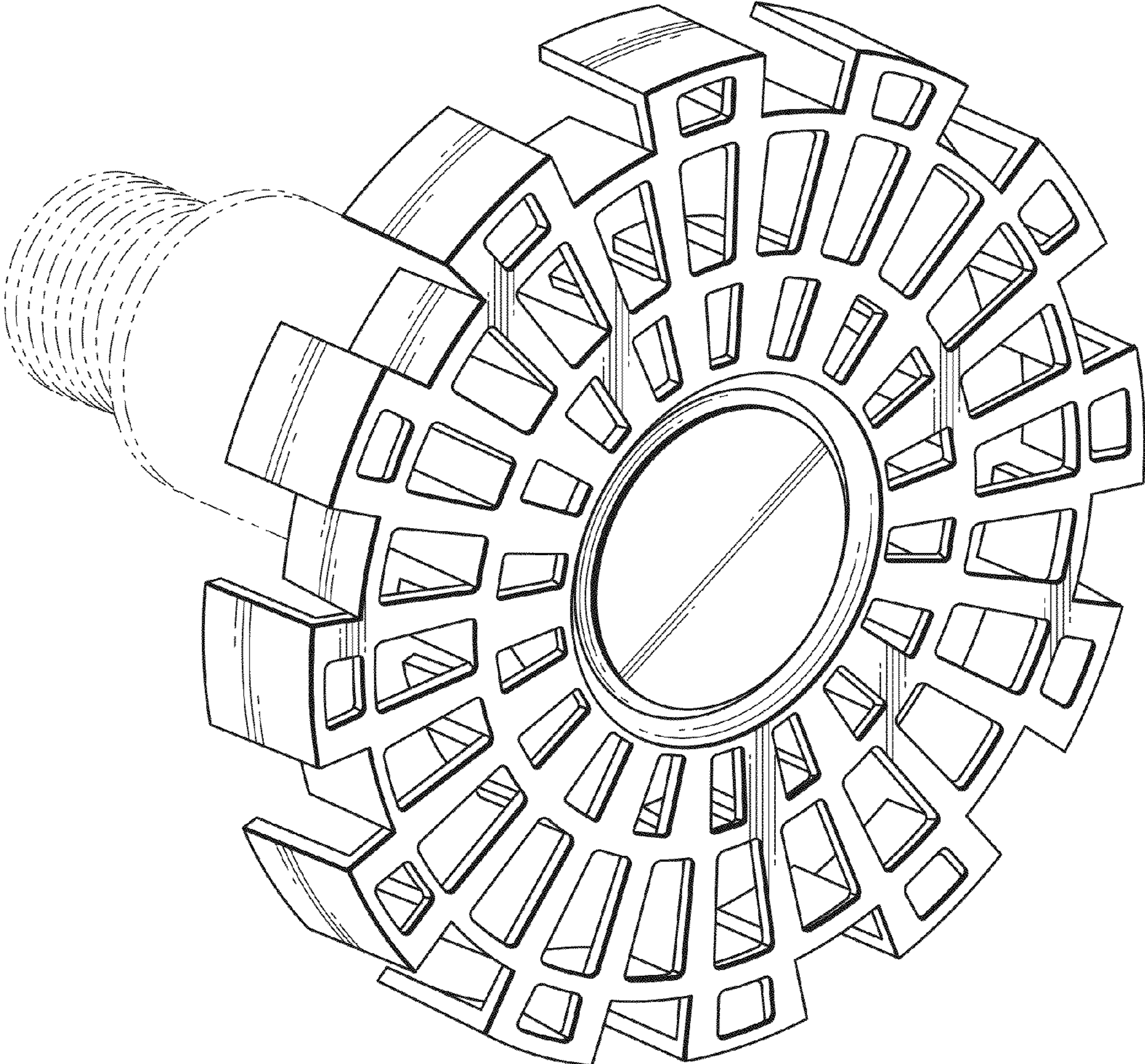


FIG. 1

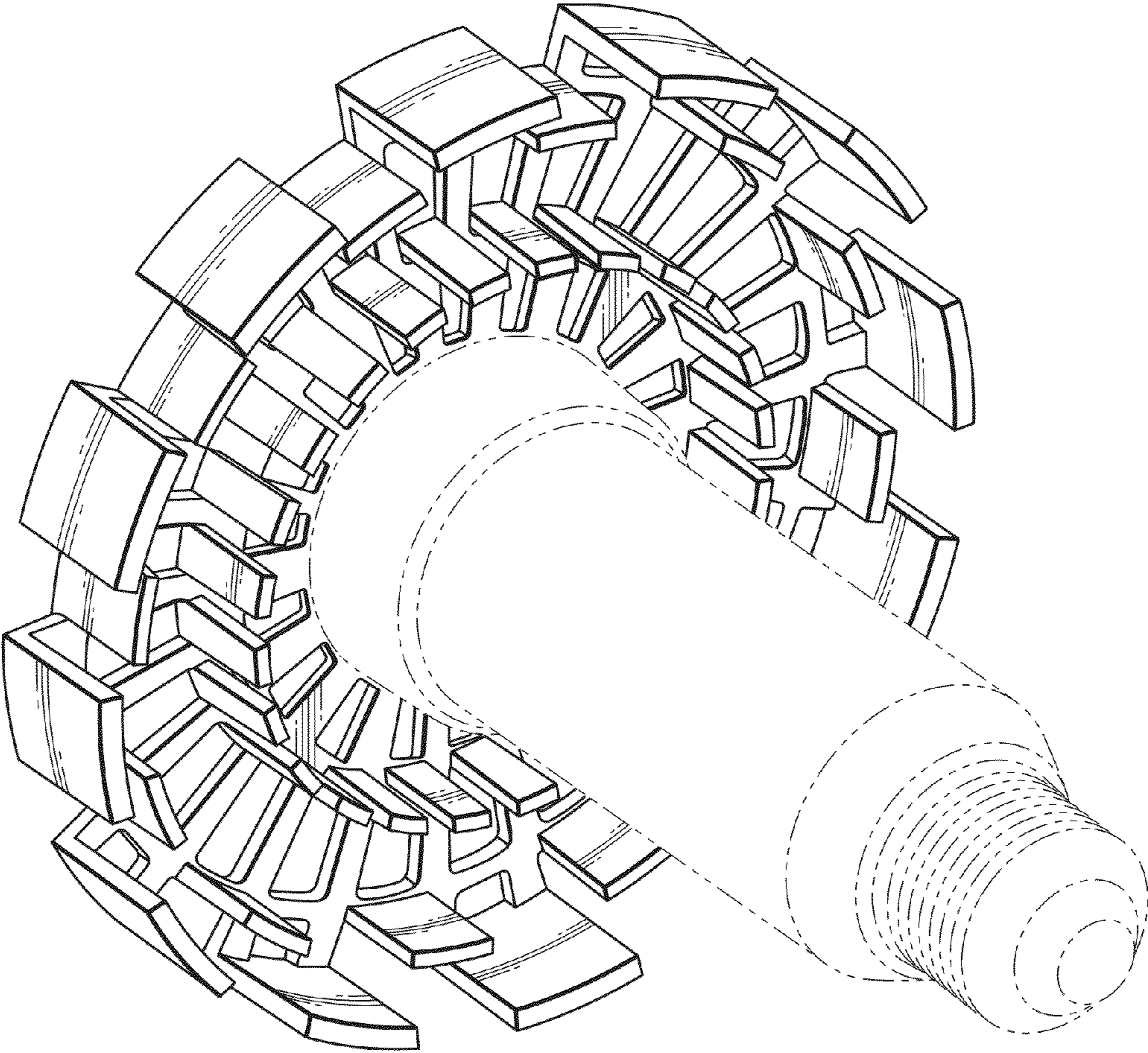


FIG. 2

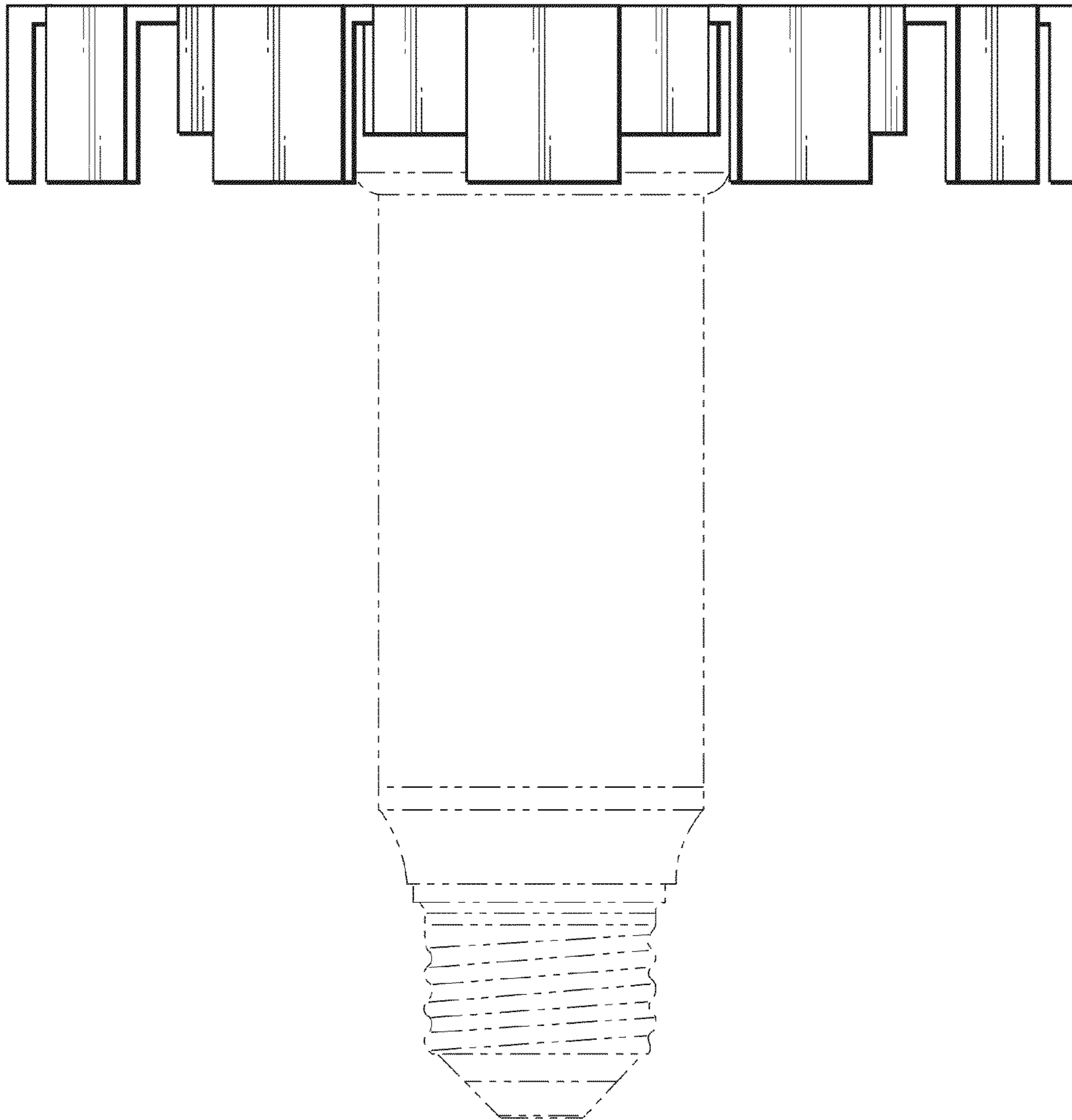


FIG. 3



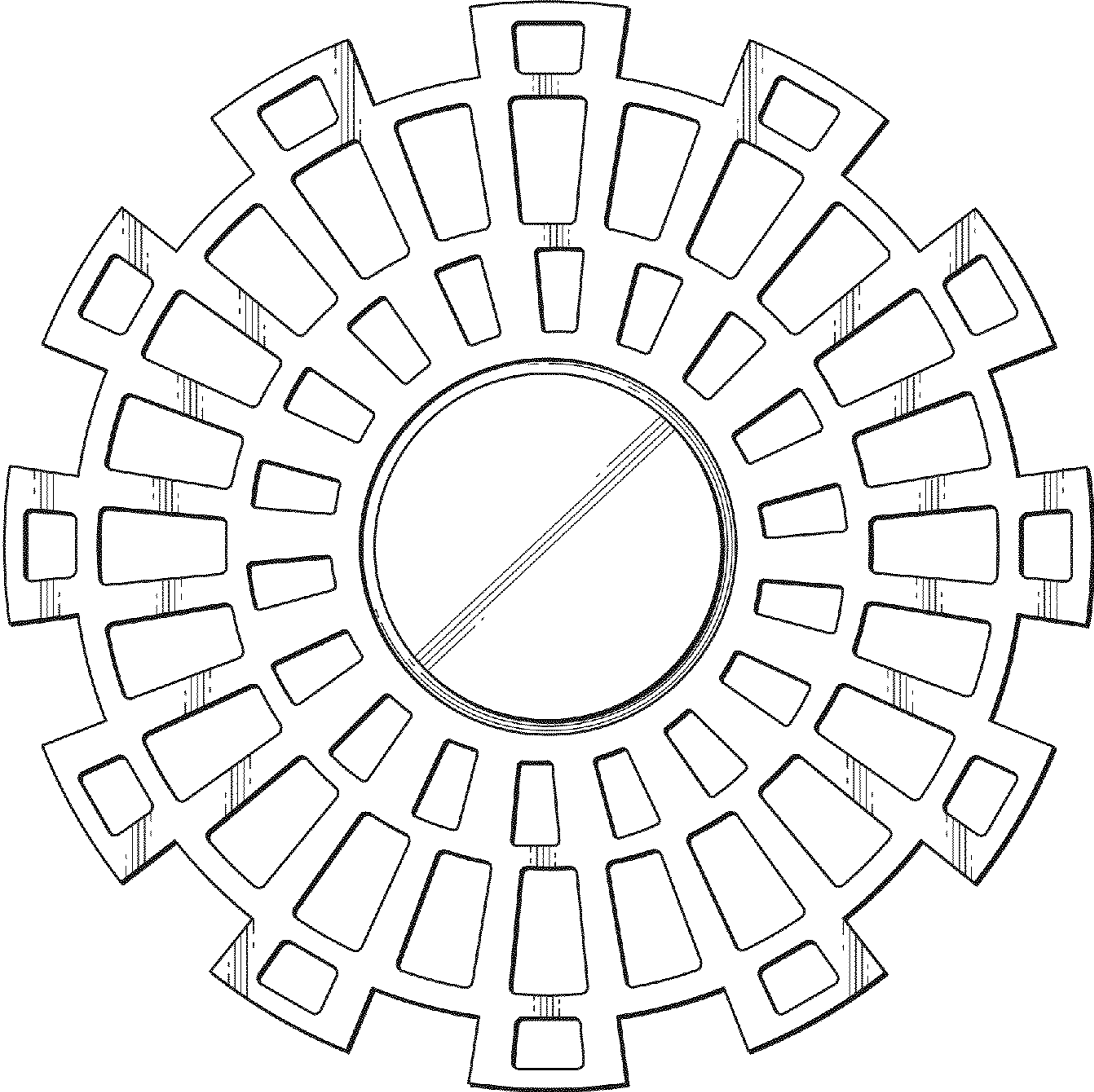


FIG. 4

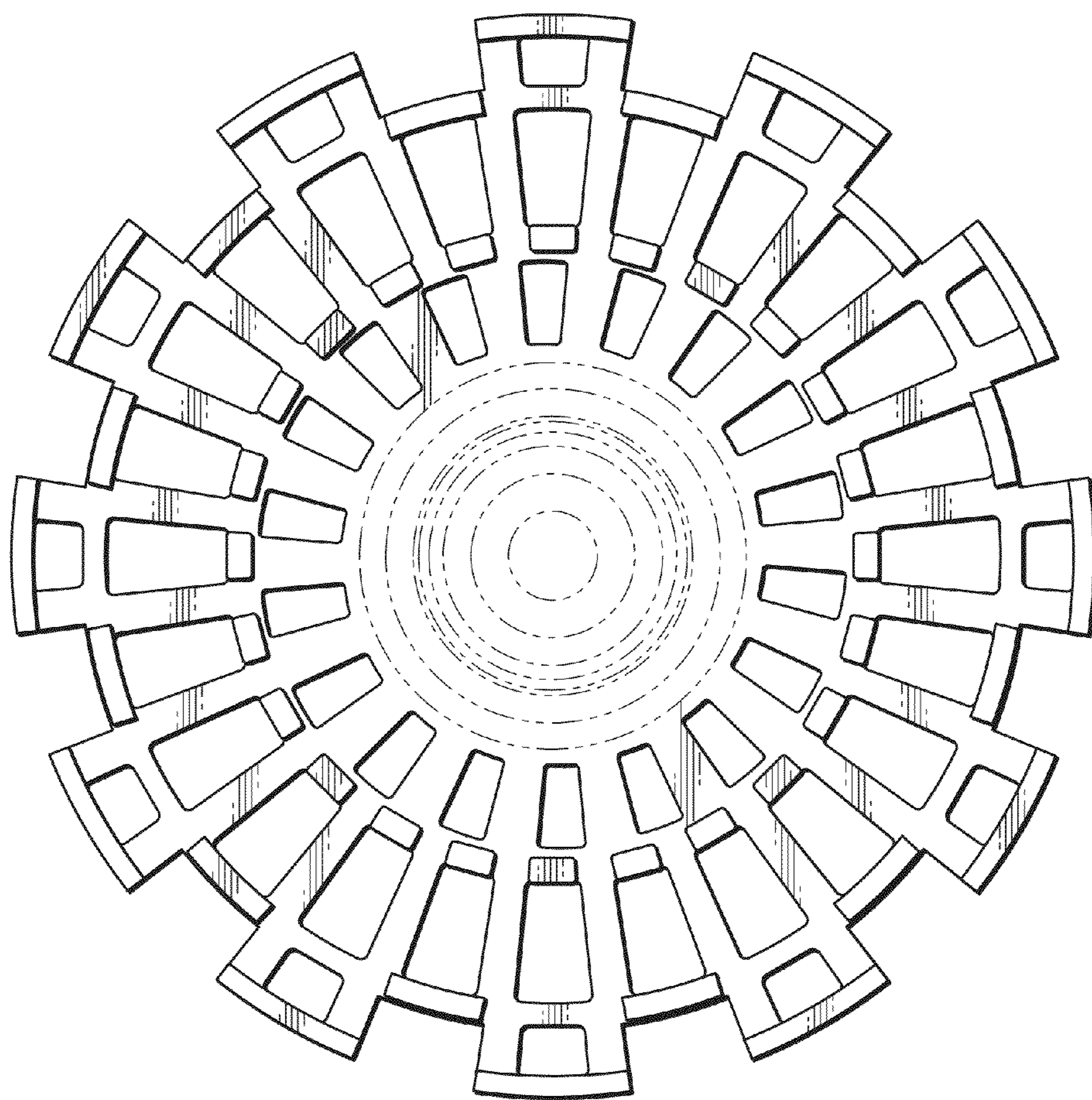


FIG. 5