



US00D690048S

(12) **United States Design Patent**
Chiou et al.

(10) **Patent No.:** **US D690,048 S**

(45) **Date of Patent:** **** Sep. 17, 2013**

(54) **LAMP**

(75) Inventors: **Ying Tsung Chiou**, New Taipei (TW);
Feng-Ting Hsu, New Taipei (TW);
Meng-Ting Tsai, New Taipei (TW);
Chia-Hao Liang, New Taipei (TW)

(73) Assignee: **Everlight Electronics Co., Ltd.** (TW)

(**) Term: **14 Years**

(21) Appl. No.: **29/405,726**

(22) Filed: **Nov. 4, 2011**

(30) **Foreign Application Priority Data**

May 26, 2011 (CN) 2011 3 0145752

(51) **LOC (9) Cl.** **26-05**

(52) **U.S. Cl.**
USPC **D26/71**

(58) **Field of Classification Search**
USPC D26/61, 63, 65, 67-72, 84, 89, 92;
362/249.01-249.06, 294, 373, 431
See application file for complete search history.

(56) **References Cited**

U.S. PATENT DOCUMENTS

D119,792 S * 4/1940 Pieper D26/63
2,916,609 A * 12/1959 Freier et al. 362/374
D304,088 S * 10/1989 Kelley et al. D26/24
D492,441 S * 6/2004 Bradford et al. D26/92
D580,577 S 11/2008 Wang et al.
D603,077 S * 10/2009 Kinnune et al. D26/71
D614,336 S * 4/2010 Zheng et al. D26/71
D615,233 S * 5/2010 Josefowicz et al. D26/71

D619,747 S * 7/2010 Jung D26/71
D630,790 S * 1/2011 Josefowicz et al. D26/71
D648,473 S * 11/2011 Lin et al. D26/71
8,104,919 B2 * 1/2012 Wung et al. 362/217.12
8,246,196 B2 * 8/2012 Chung et al. 362/223
2009/0141494 A1 * 6/2009 Zhang et al. 362/249.03

FOREIGN PATENT DOCUMENTS

JP D1363404 6/2009
JP D1363659 6/2009
JP D1407764 2/2011
TW D128036 3/2009
TW D139542 3/2011

* cited by examiner

Primary Examiner — Clare E Heflin

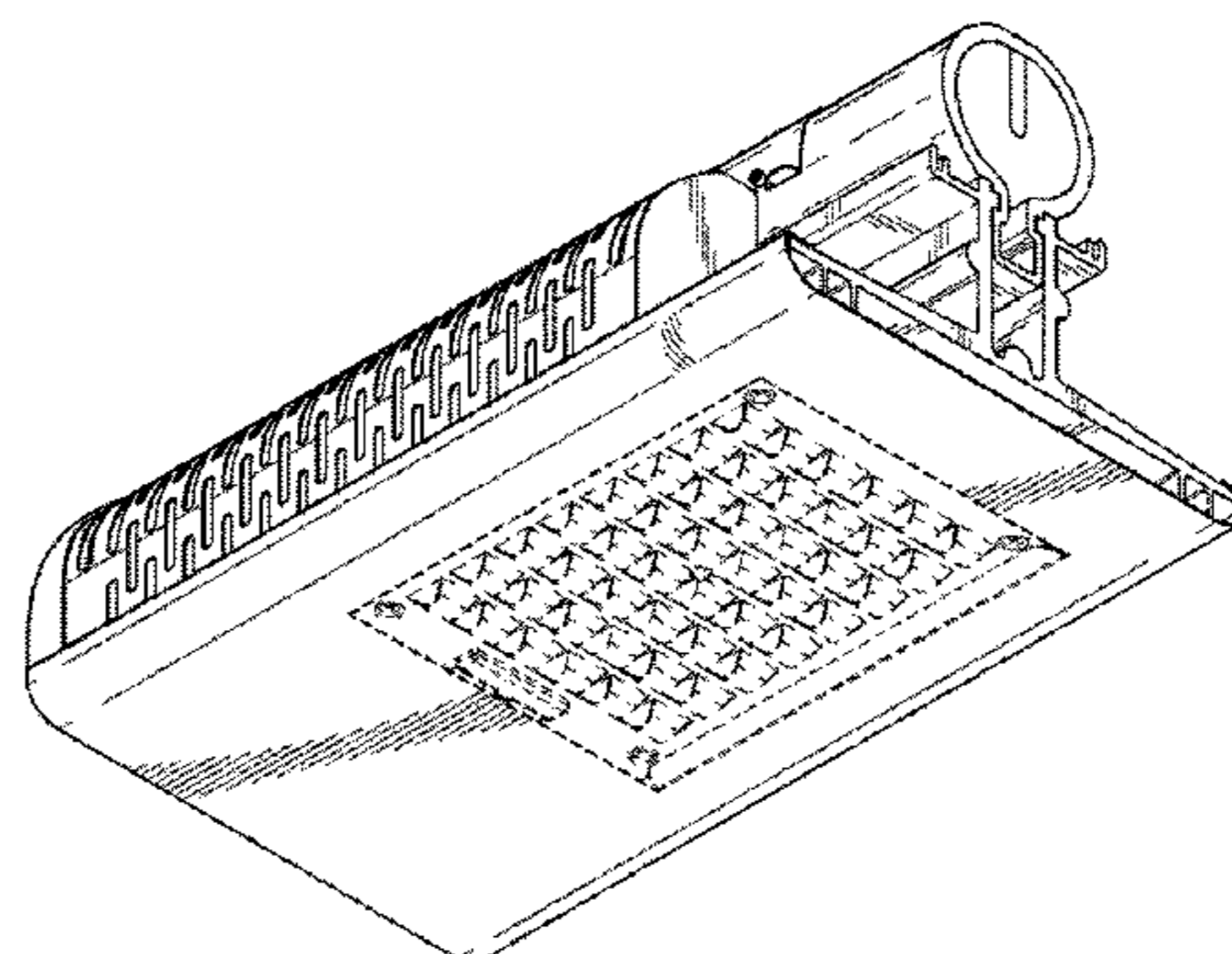
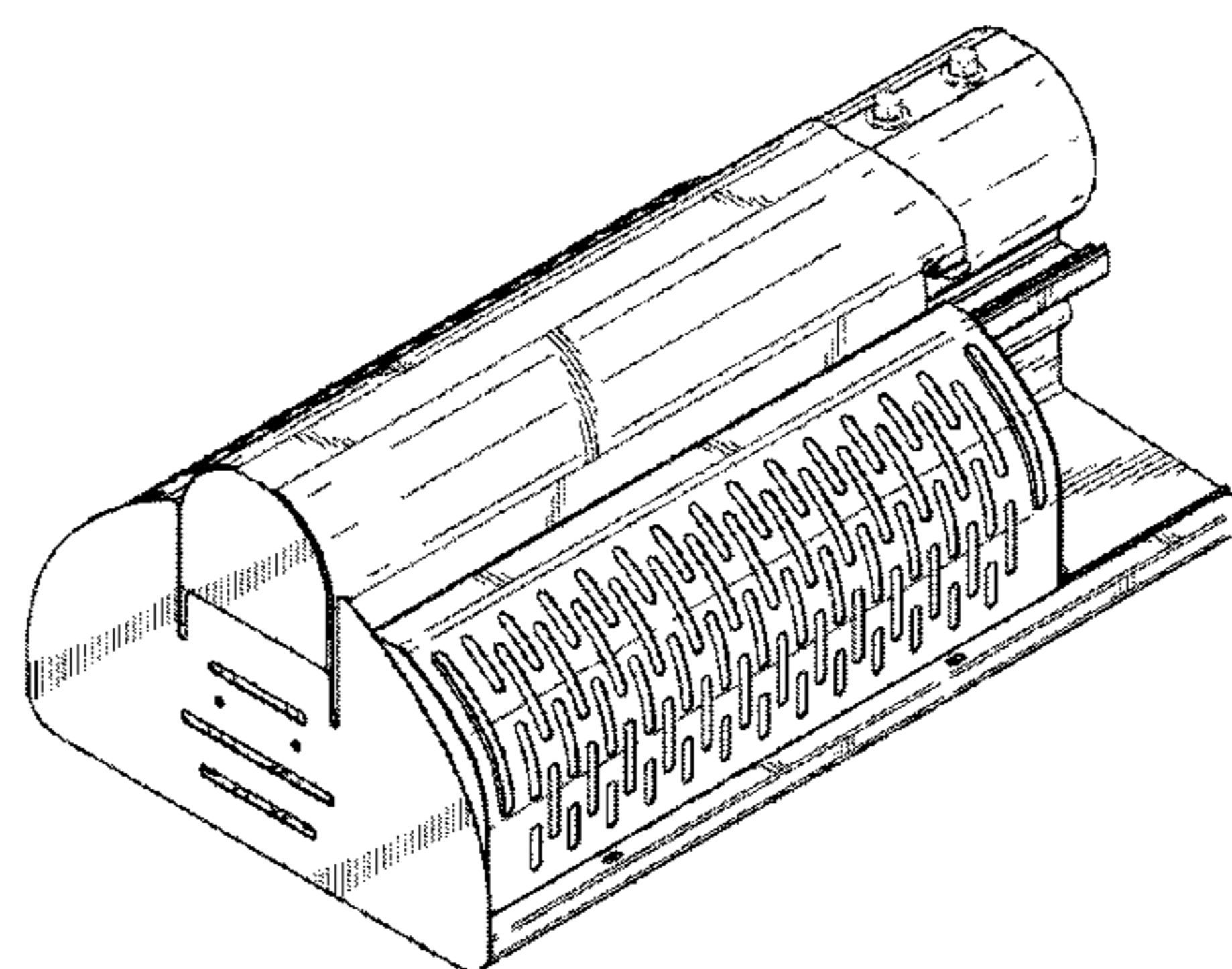
(57) **CLAIM**

The ornamental design for a lamp, as shown and described.

DESCRIPTION

FIG. 1 is a first perspective view of a lamp incorporating a design according to an embodiment of the present disclosure; FIG. 2 is a second perspective view thereof; FIG. 3 is a front elevational view thereof; FIG. 4 is a rear elevational view thereof; FIG. 5 is a left side elevational view thereof; FIG. 6 is a right side elevational view thereof; FIG. 7 is a top plan view thereof; FIG. 8 is a bottom plan view thereof; and, FIG. 9 is a bottom perspective view thereof. Lens and screws of the lamp are shown in broken lines for illustrative purposes only and form no part of the claimed design.

1 Claim, 7 Drawing Sheets



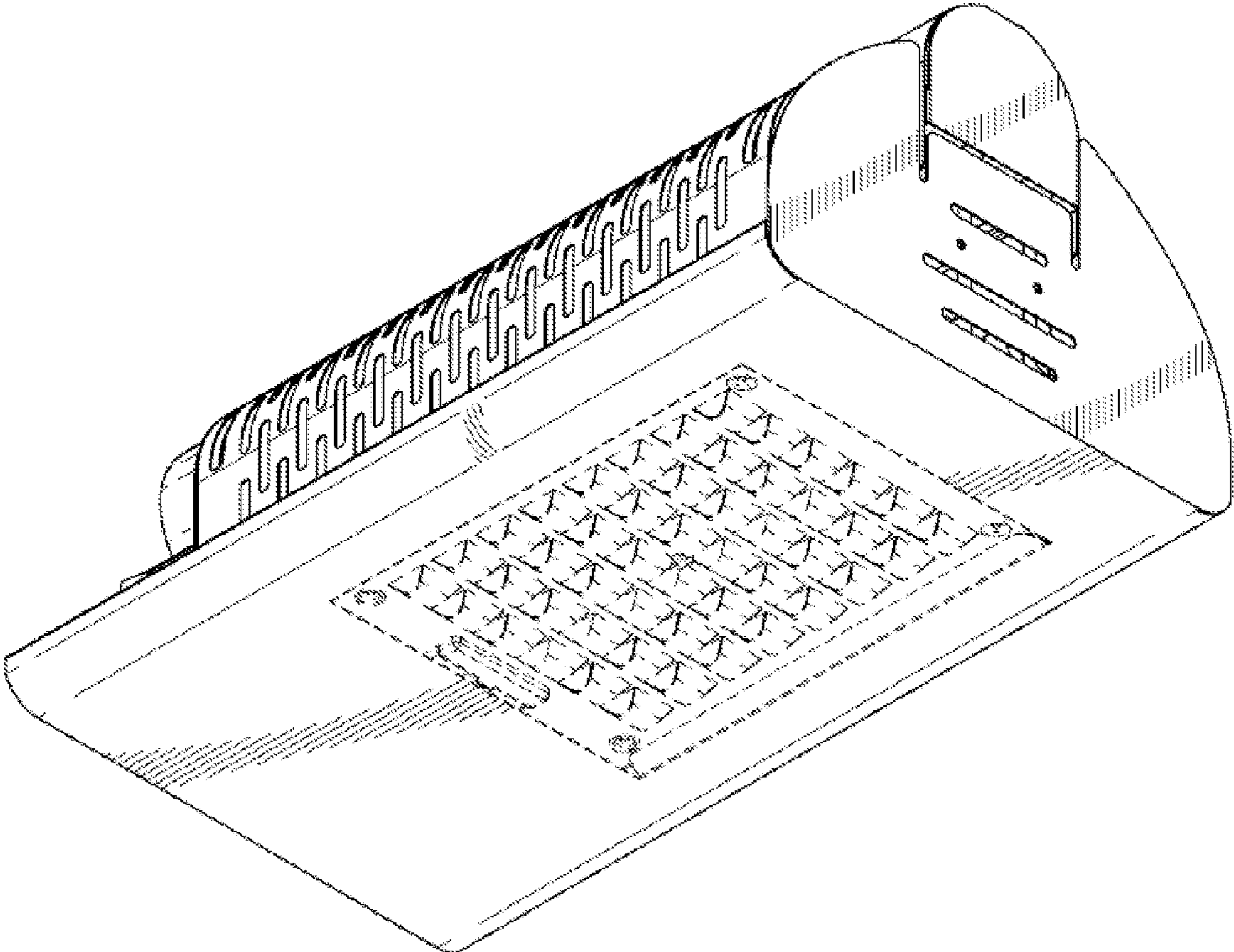


FIG. 1

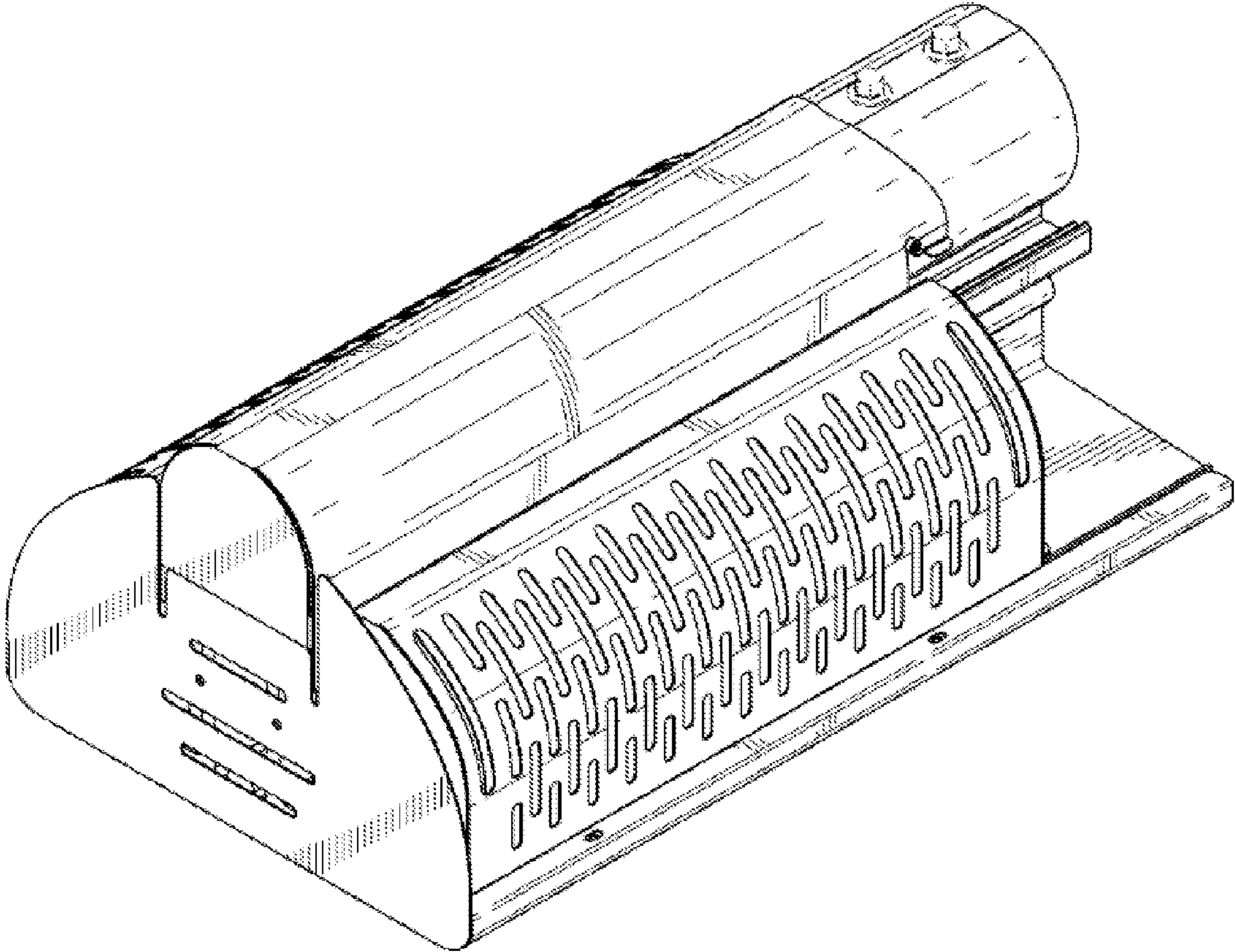


FIG. 2

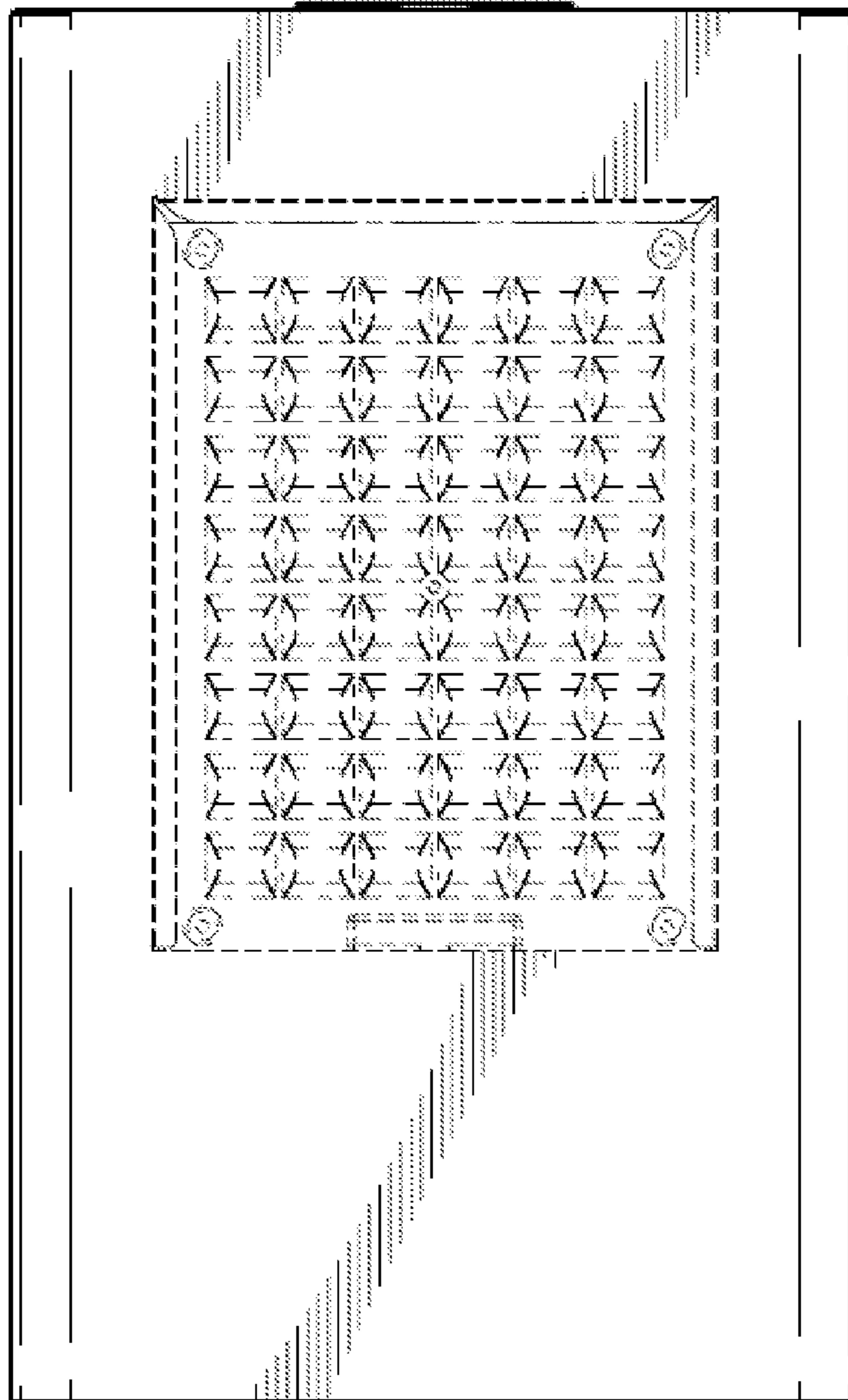


FIG. 3

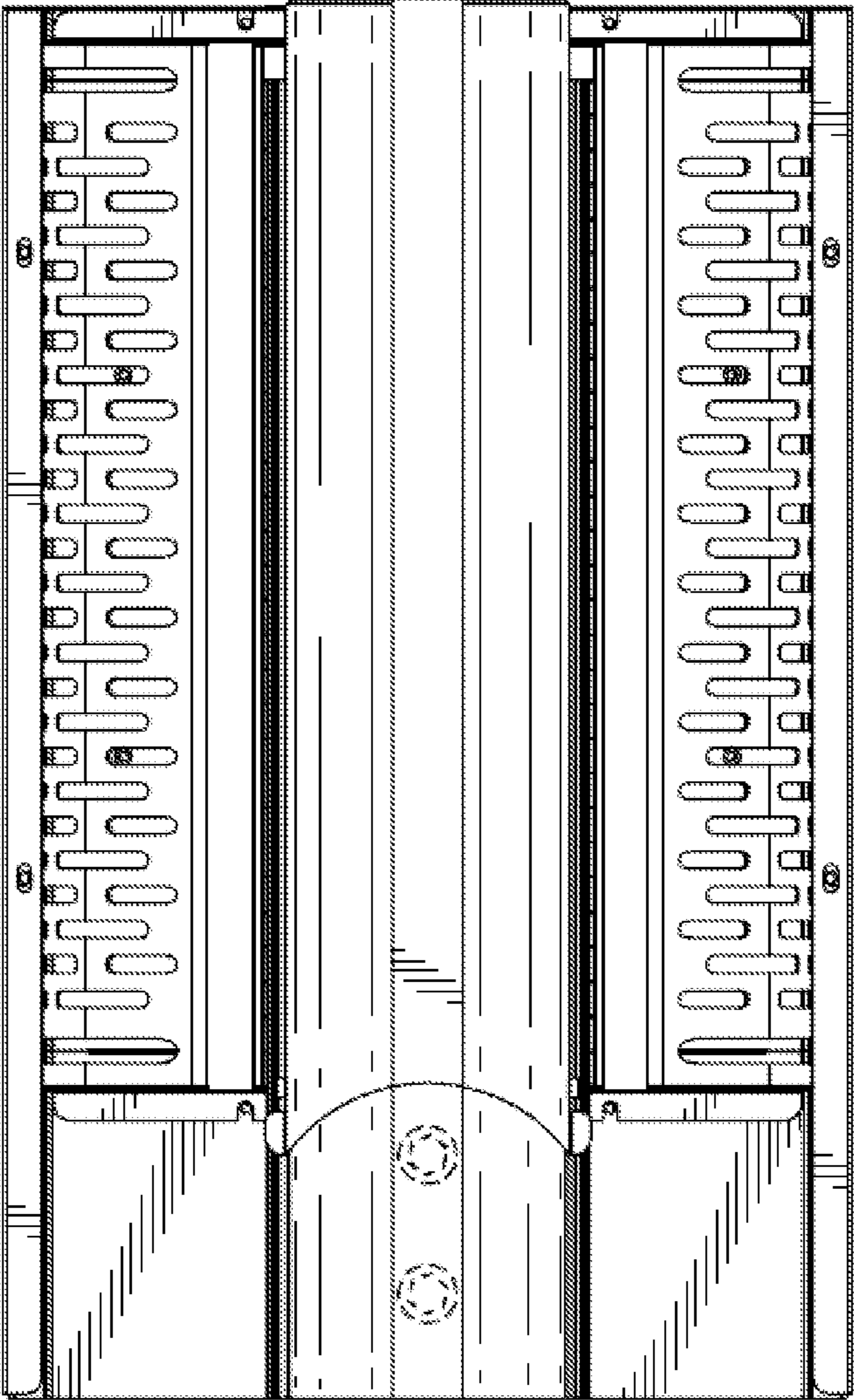


FIG. 4

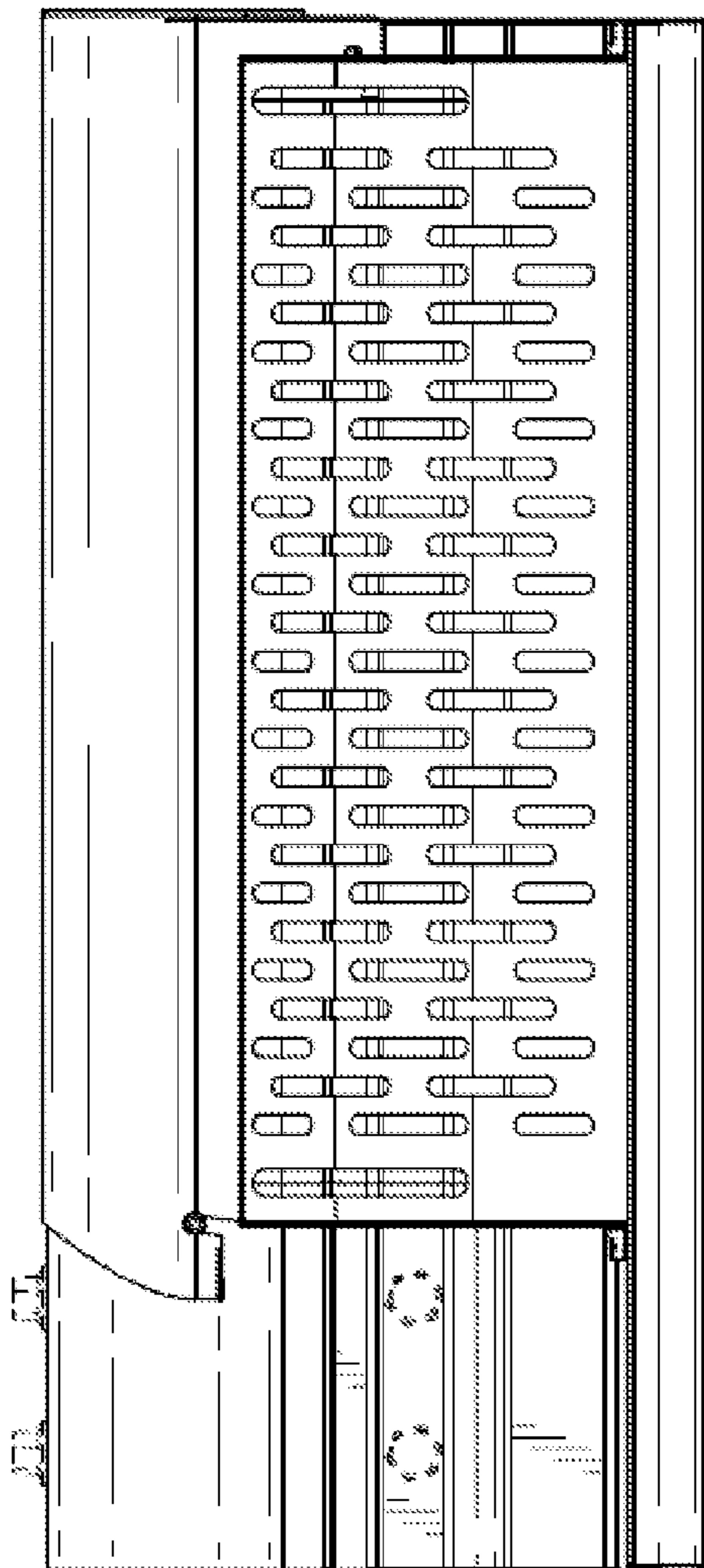


FIG. 5

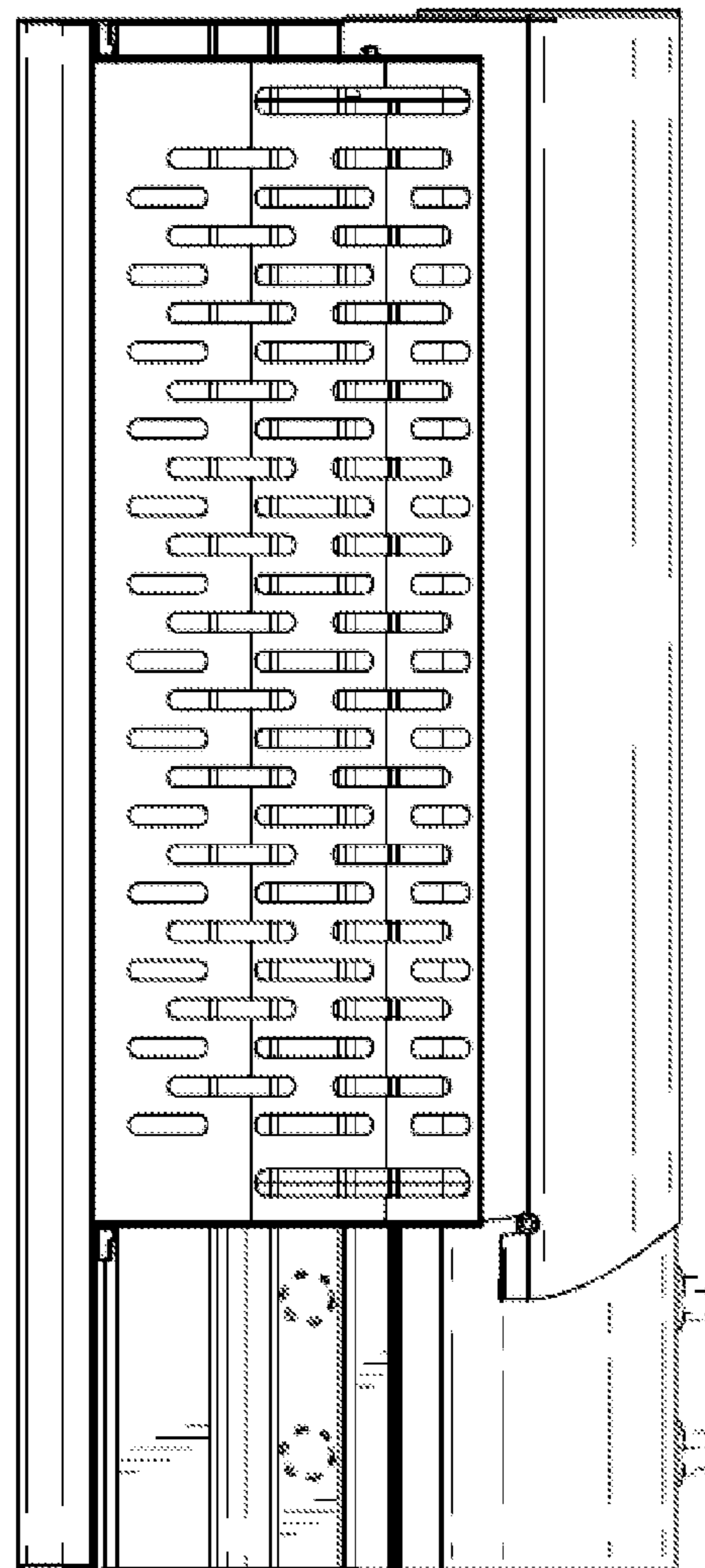


FIG. 6

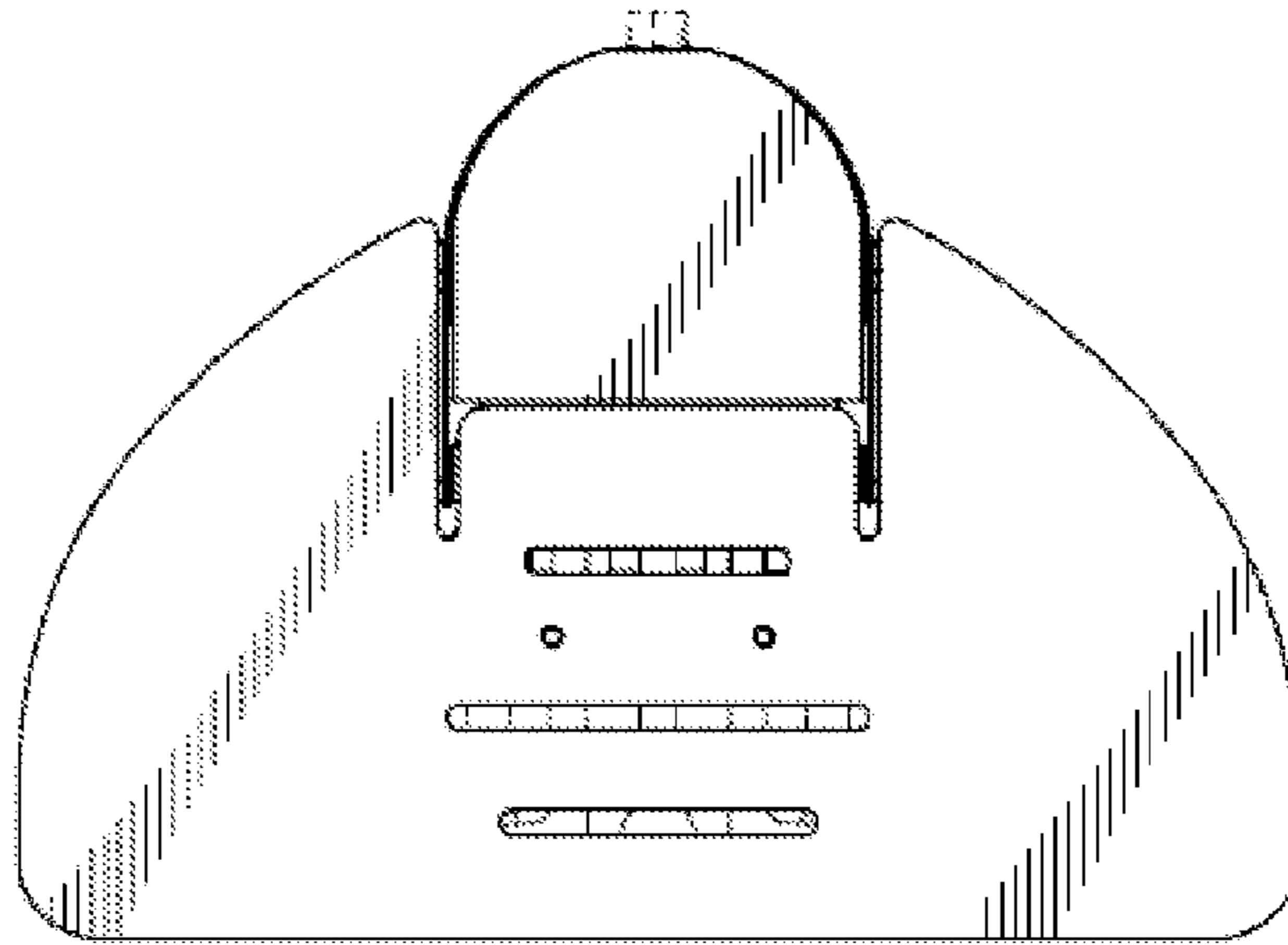


FIG. 7

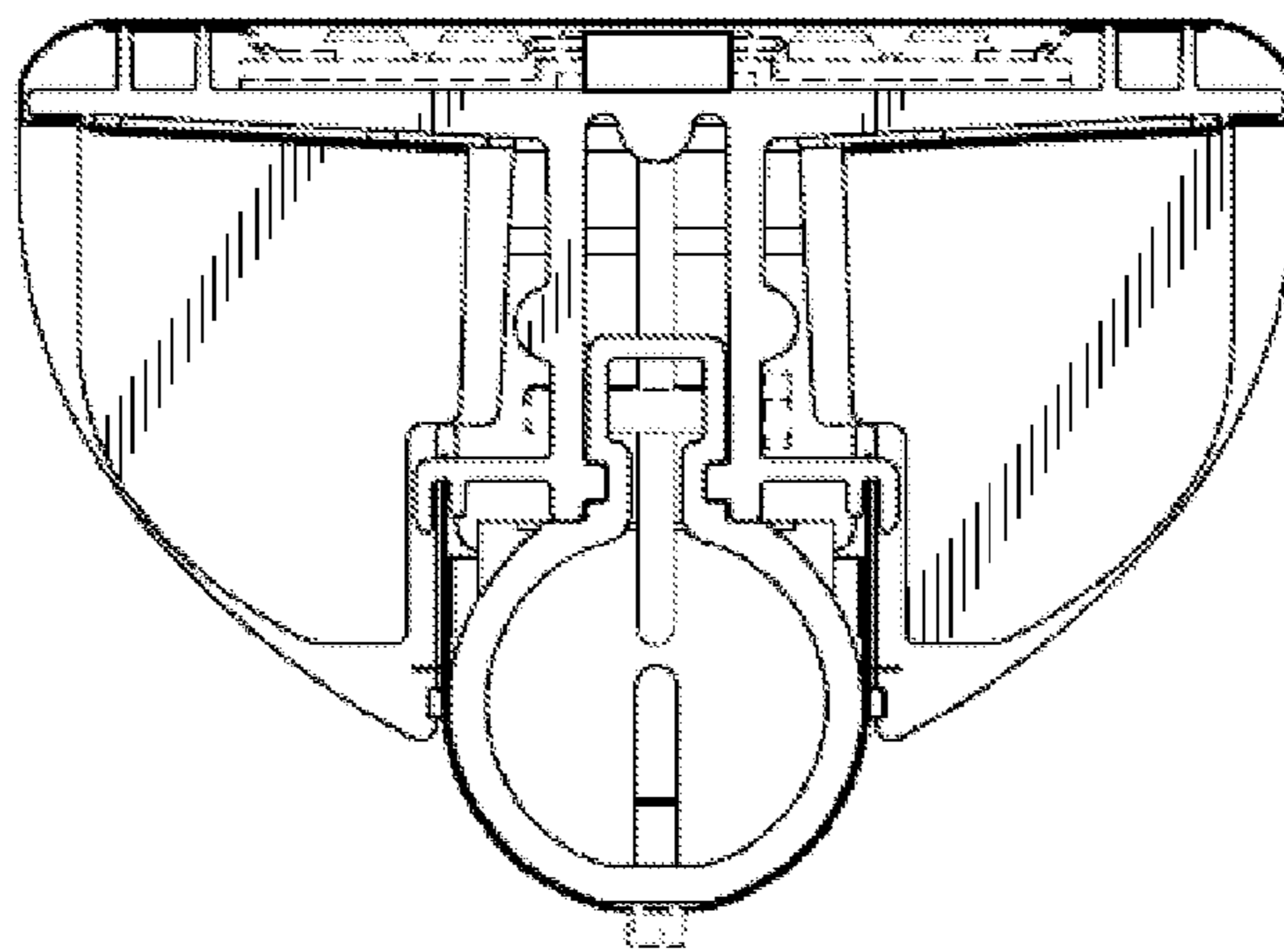


FIG. 8

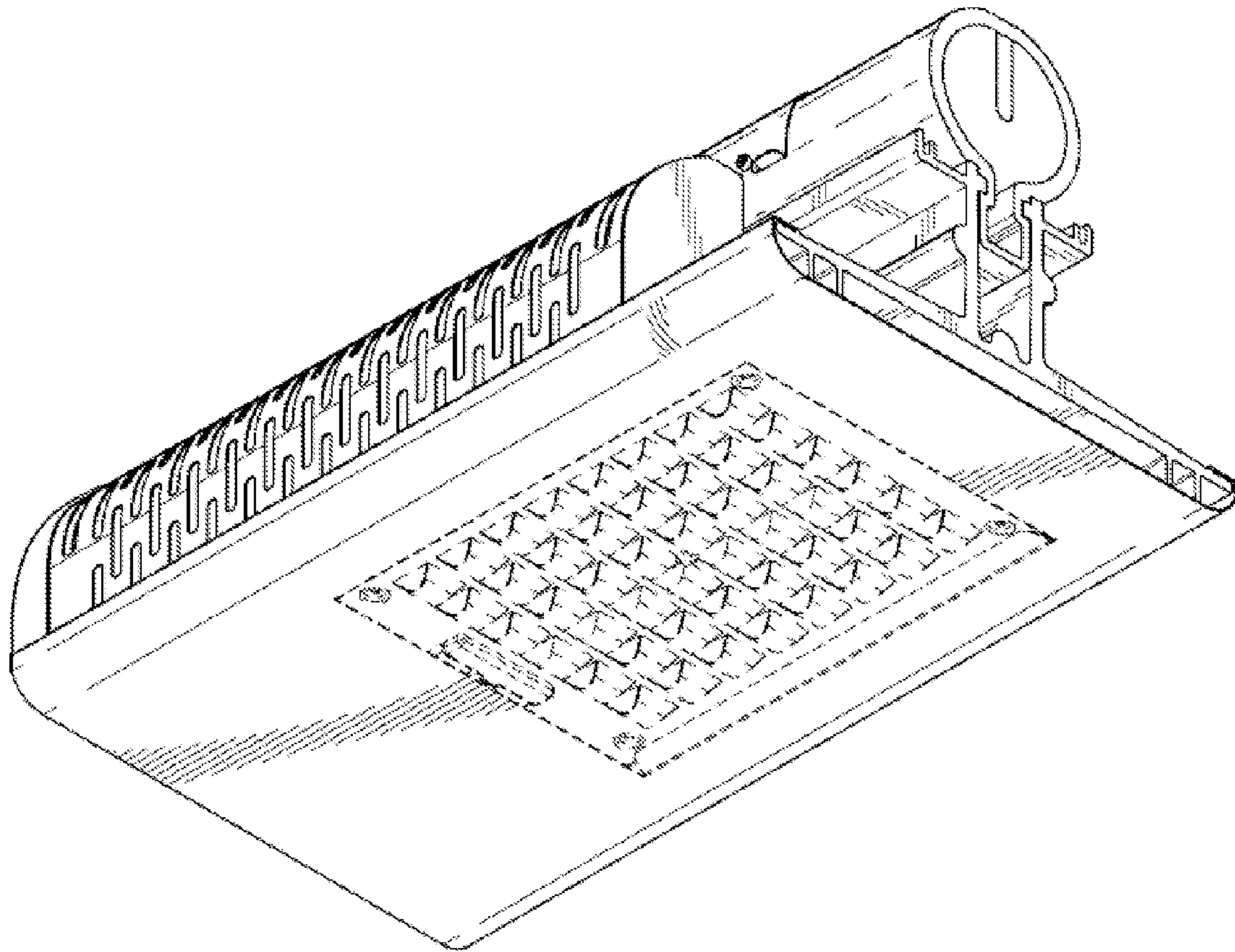


FIG. 9