



US00D690047S

(12) **United States Design Patent**  
**Ng**

(10) **Patent No.:** **US D690,047 S**  
(45) **Date of Patent:** **\*\* Sep. 17, 2013**

(54) **LAMP**

(75) Inventor: **Peter Ng**, Hong Kong (CN)

(73) Assignee: **Koncept Technologies Inc.**, Monrovia,  
CA (US)

(\*\*) Term: **14 Years**

(21) Appl. No.: **29/431,789**

(22) Filed: **Sep. 11, 2012**

(51) **LOC (9) Cl.** ..... **26-03**

(52) **U.S. Cl.**  
USPC ..... **D26/65**

(58) **Field of Classification Search**  
USPC ..... D26/24, 61-67, 93, 102, 104-105,  
D26/108-10, 107; 362/509, 516, 523, 186,  
362/217, 255, 257, 277, 317, 319, 351, 354,  
362/355, 357, 358, 362, 382, 410, 413, 417,  
362/806

See application file for complete search history.

(56) **References Cited**

**U.S. PATENT DOCUMENTS**

D330,266 S \* 10/1992 Lin ..... D26/65  
D523,164 S \* 6/2006 Ng ..... D26/65  
D527,132 S \* 8/2006 Citterio ..... D26/65  
D603,993 S \* 11/2009 Sabernig ..... D26/65

D620,165 S \* 7/2010 Huang ..... D26/63  
D622,885 S \* 8/2010 Ng et al. .... D26/65  
D628,729 S \* 12/2010 Citterio ..... D26/65  
D635,707 S \* 4/2011 Ng et al. .... D26/65  
D640,818 S \* 6/2011 Ng et al. .... D26/65  
D662,639 S \* 6/2012 Ng et al. .... D26/65  
D663,062 S \* 7/2012 Ng et al. .... D26/65  
D667,982 S \* 9/2012 Meda et al. .... D26/65

\* cited by examiner

*Primary Examiner* — Brian N Vinson

(74) *Attorney, Agent, or Firm* — Foley & Lardner LLP

(57) **CLAIM**

The ornamental design for a lamp, as shown.

**DESCRIPTION**

FIG. 1 is a perspective view of a lamp showing our new design;

FIG. 2 is a right view thereof;

FIG. 3 is a left view thereof;

FIG. 4 is a front view thereof;

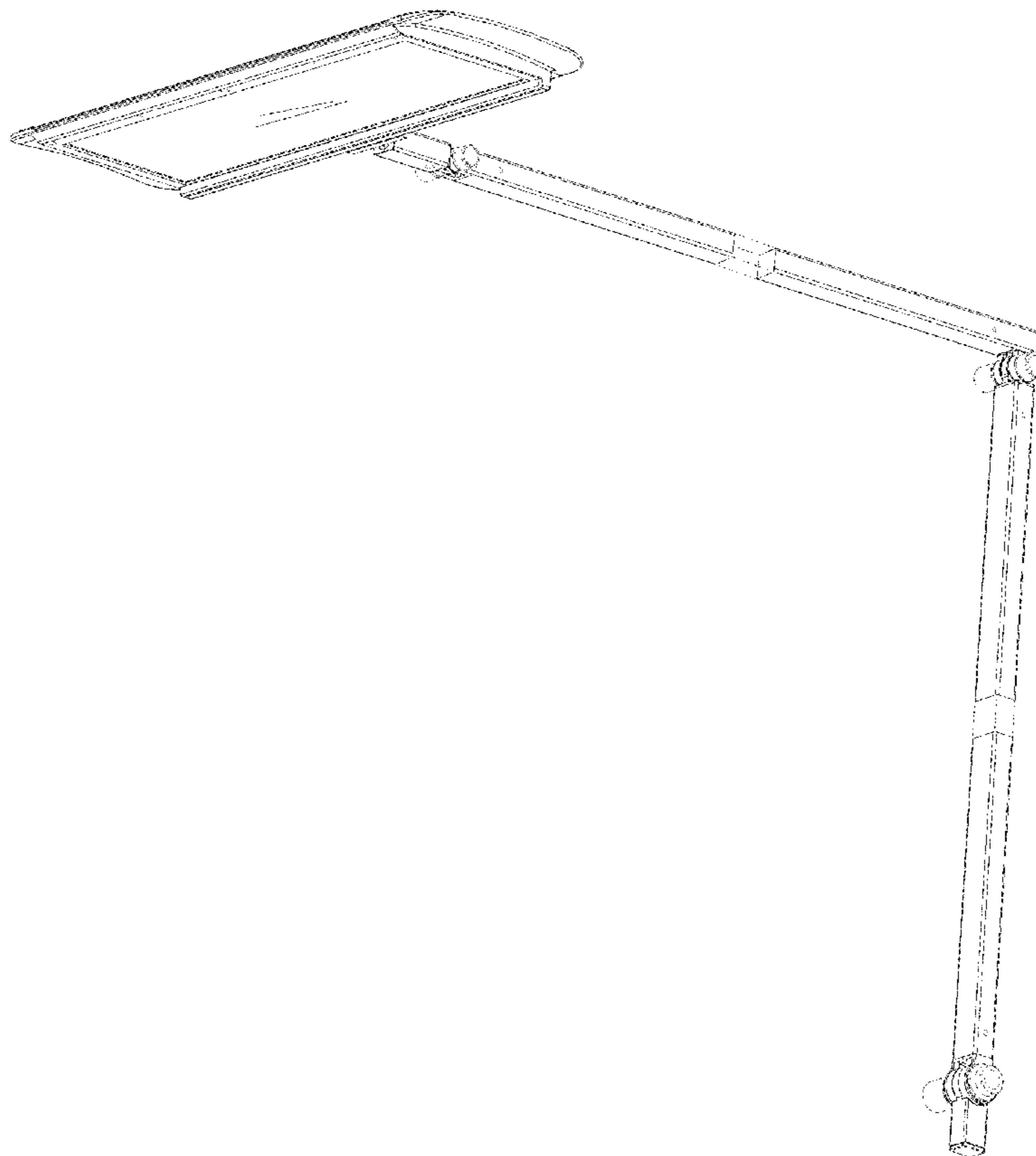
FIG. 5 is a rear view thereof

FIG. 6 is a top view thereof; and,

FIG. 7 is a bottom view thereof.

Elements of the lamp have been broken away in some of the figures to indicate that no particular length is claimed. The portions of the lamp shown in broken lines form no part of the claimed design.

**1 Claim, 7 Drawing Sheets**



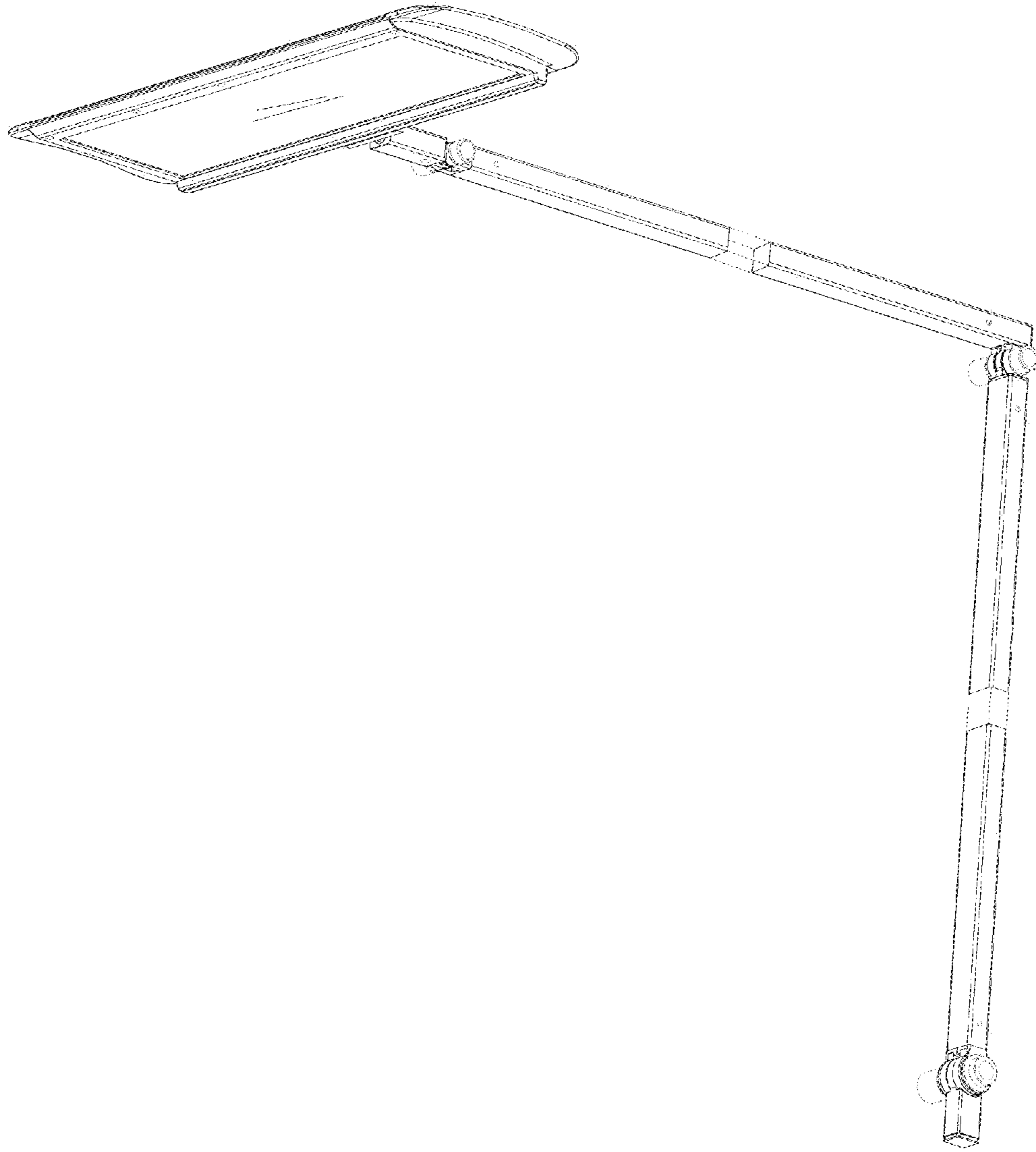


FIG. 1

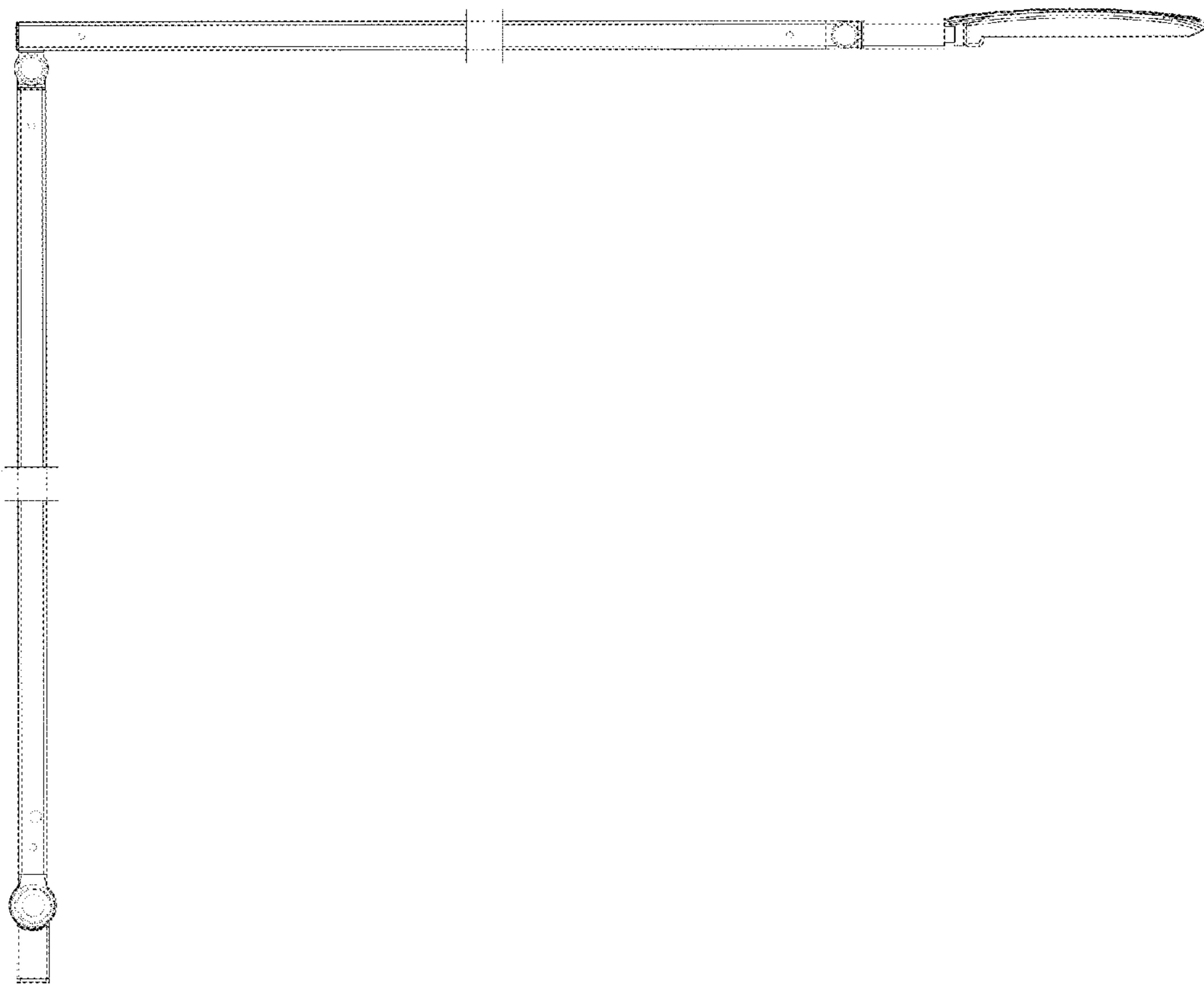


FIG. 2

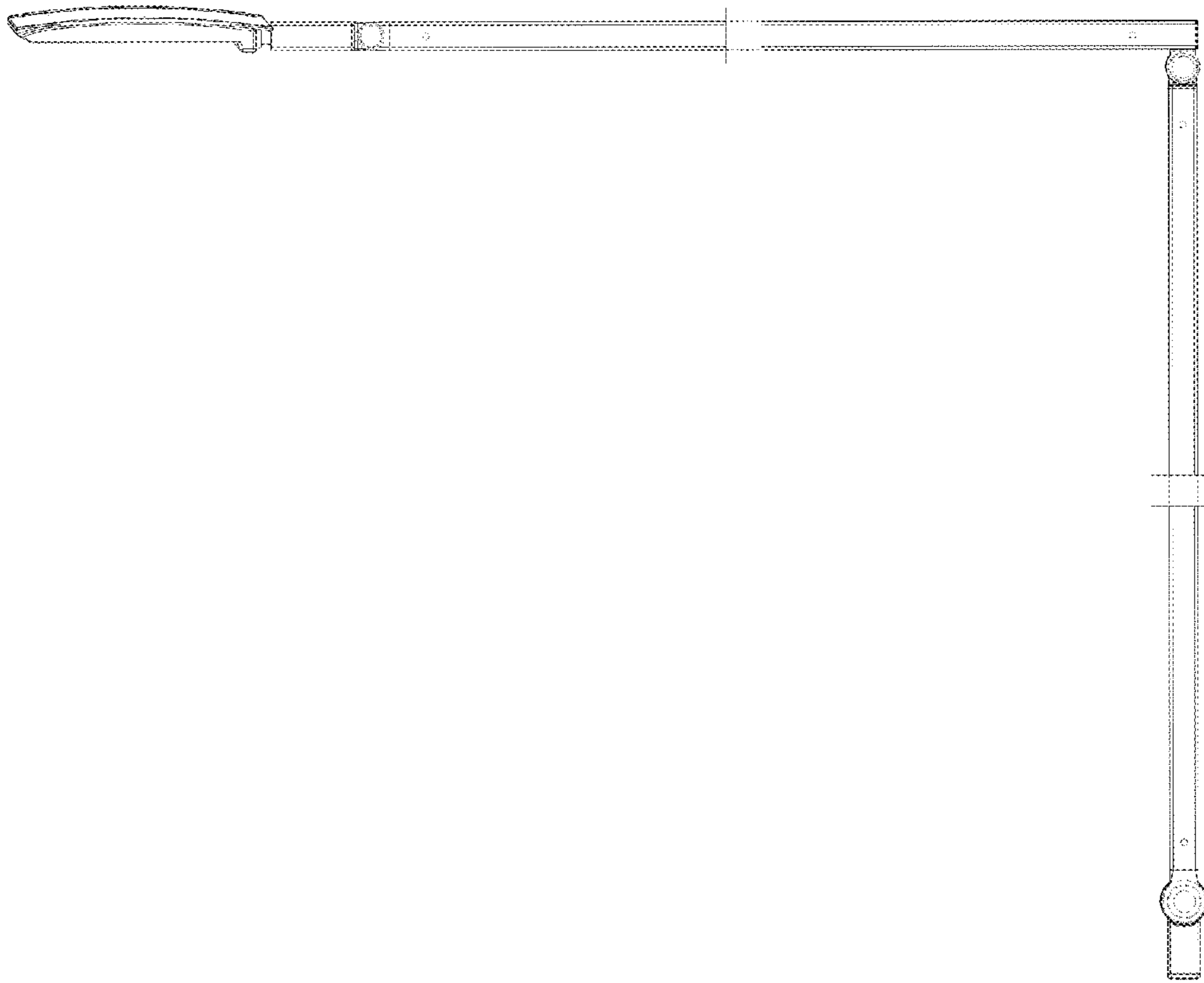


FIG. 3

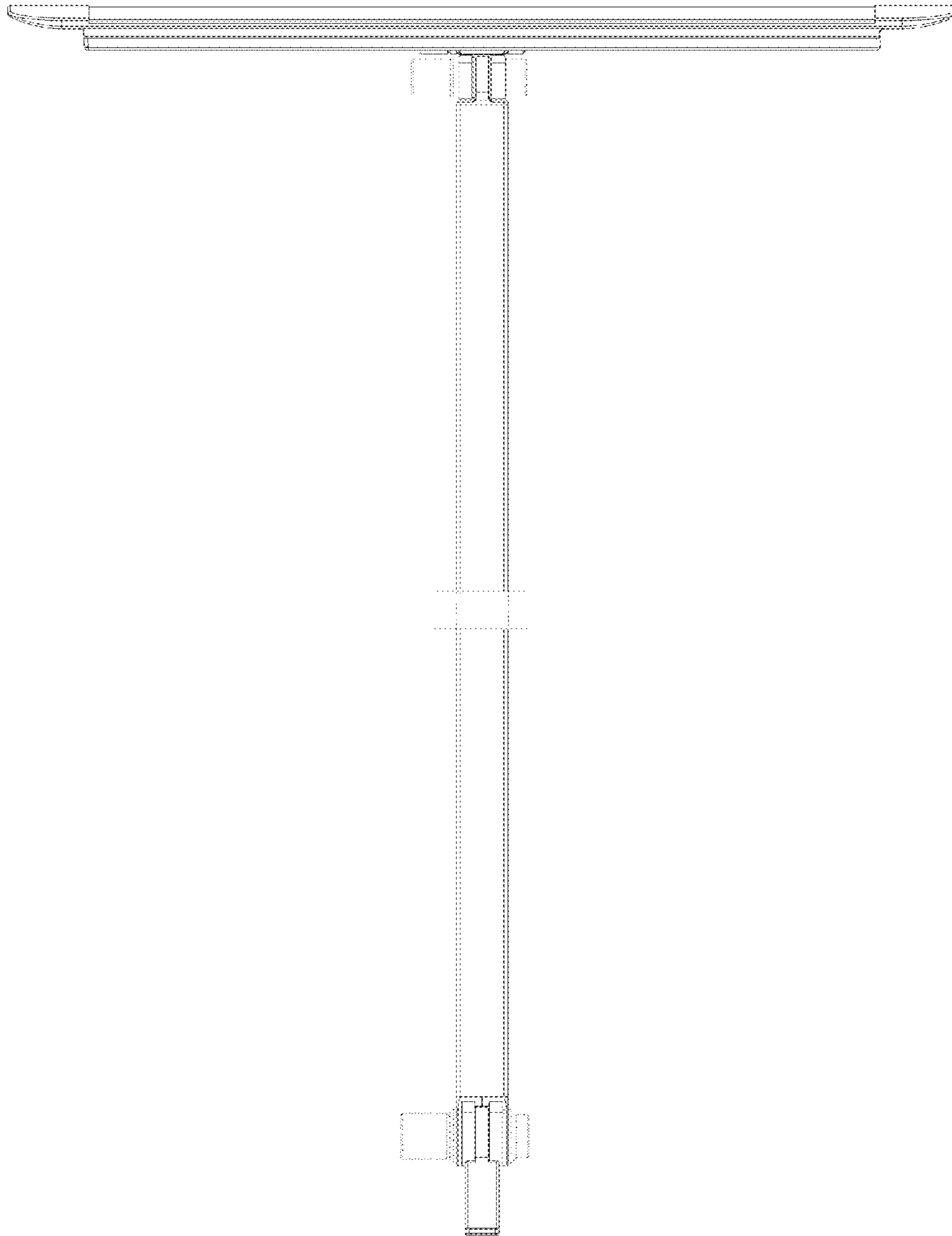


FIG. 4

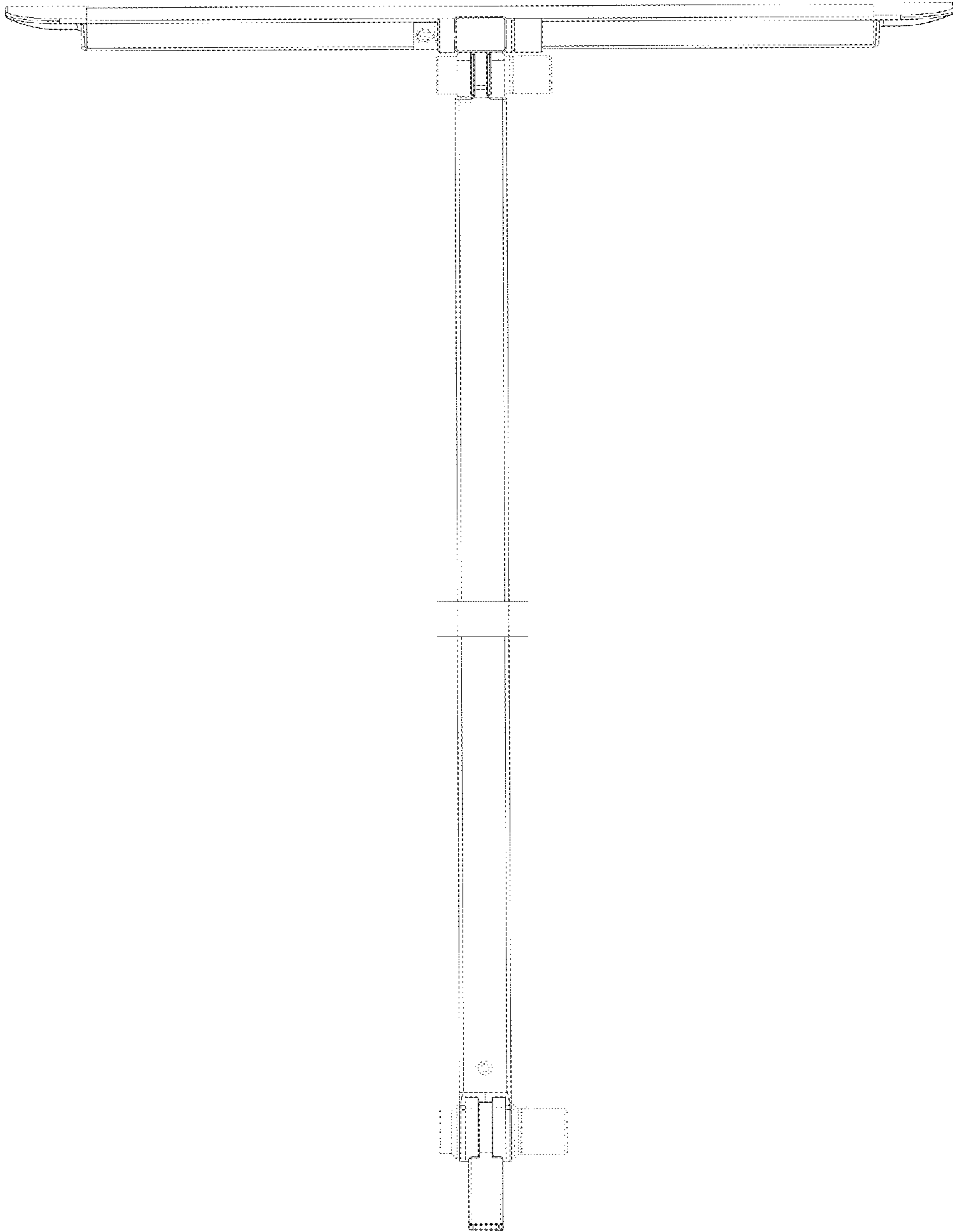


FIG. 5

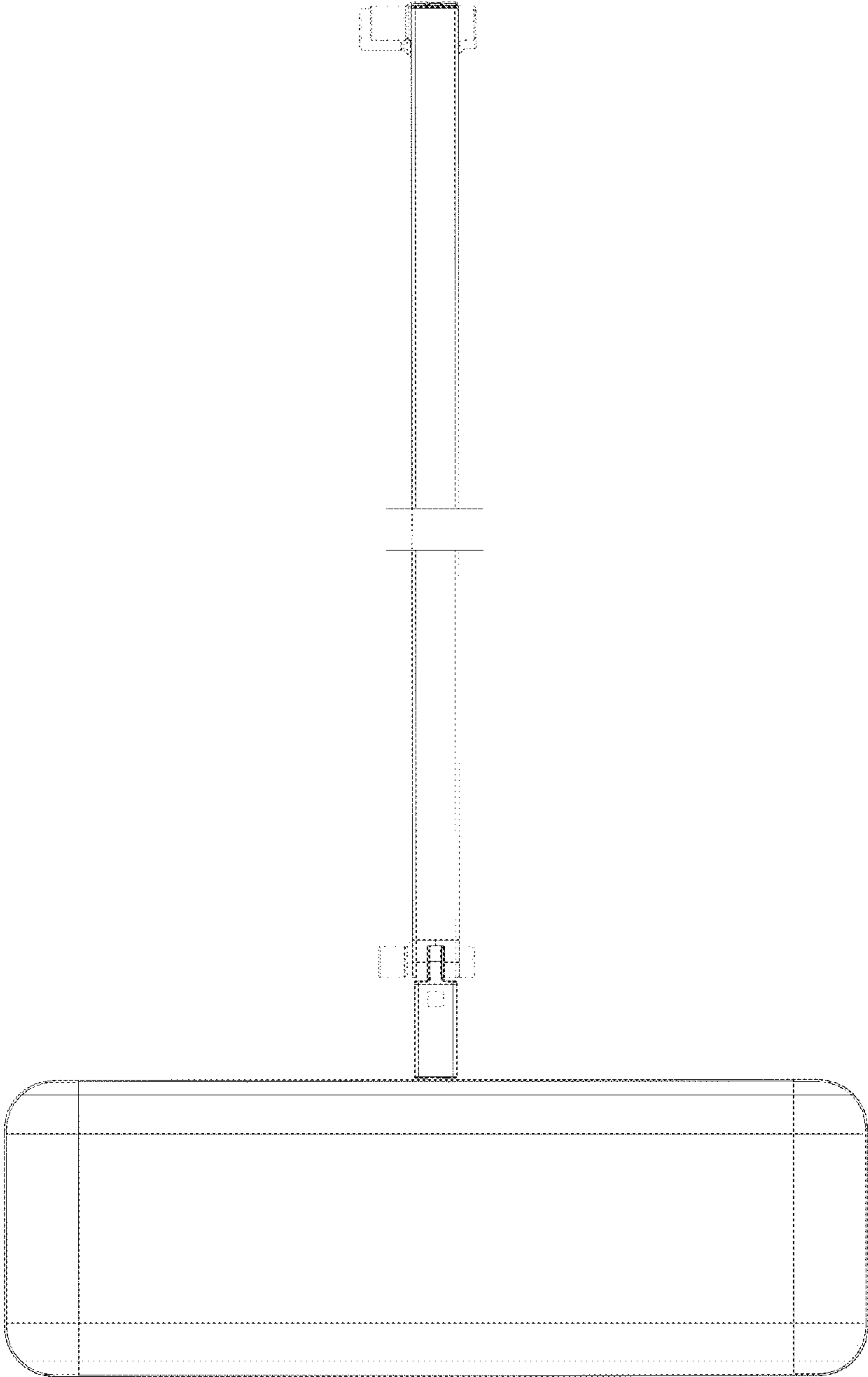


FIG. 6

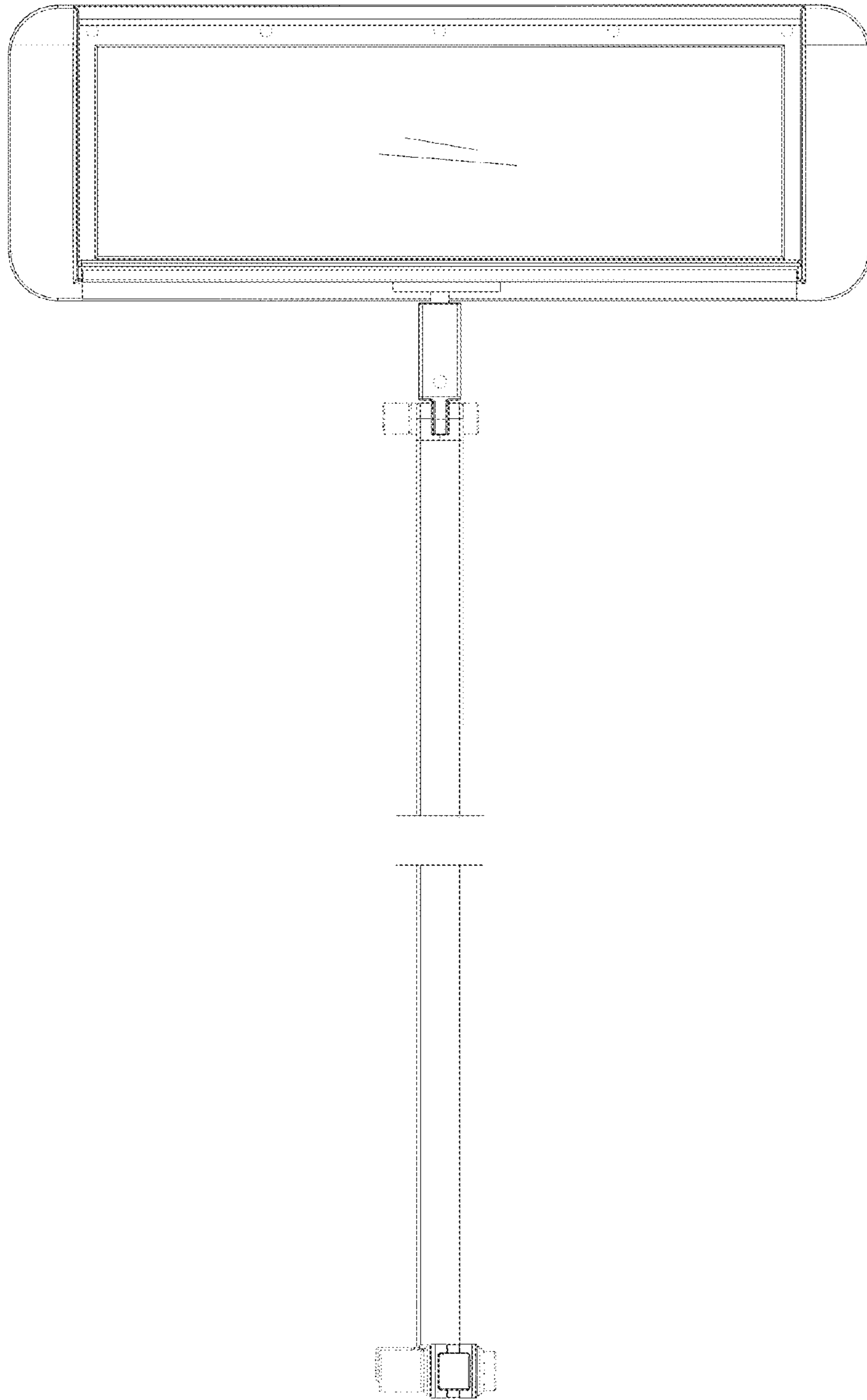


FIG. 7