



US00D690046S

(12) **United States Design Patent**
Ng et al.

(10) **Patent No.:** **US D690,046 S**
(45) **Date of Patent:** **** Sep. 17, 2013**

(54) **LAMP**

(75) Inventors: **Kenneth Ng**, Alhambra, CA (US);
Edmund Ng, Pasadena, CA (US); **Peter Ng**, Hong Kong (CN)

(73) Assignee: **Koncept Technologies Inc.**, Monrovia, CA (US)

(**) Term: **14 Years**

(21) Appl. No.: **29/422,377**

(22) Filed: **May 18, 2012**

(51) **LOC (9) Cl.** **26-03**

(52) **U.S. Cl.**
USPC **D26/65**

(58) **Field of Classification Search**
USPC D26/24, 61-67, 93, 102, 104-105,
D26/108-10, 107; 362/509, 516, 523, 186,
362/217, 255, 257, 277, 317, 319, 351, 354,
362/355, 357, 358, 362, 382, 410, 413, 417,
362/806

See application file for complete search history.

(56) **References Cited**

U.S. PATENT DOCUMENTS

D280,030 S * 8/1985 Matthews D26/60
D330,266 S * 10/1992 Lin D26/65

D467,378 S * 12/2002 Wang D26/65
D500,156 S * 12/2004 Kao D26/61
D603,993 S * 11/2009 Sabernig D26/65
D624,226 S * 9/2010 Huang D26/65
D628,729 S * 12/2010 Citterio D26/65
D665,116 S * 8/2012 Chien D26/65
D667,982 S * 9/2012 Meda et al. D26/65
D674,531 S * 1/2013 Yuen D26/93

* cited by examiner

Primary Examiner — Brian N Vinson

(74) *Attorney, Agent, or Firm* — Foley & Lardner LLP

(57) **CLAIM**

The ornamental design for a lamp, as shown.

DESCRIPTION

FIG. 1 is a perspective view of a lamp showing our new design;

FIG. 2 is a front view thereof;

FIG. 3 is a rear view thereof;

FIG. 4 is a right view thereof;

FIG. 5 is a left view thereof

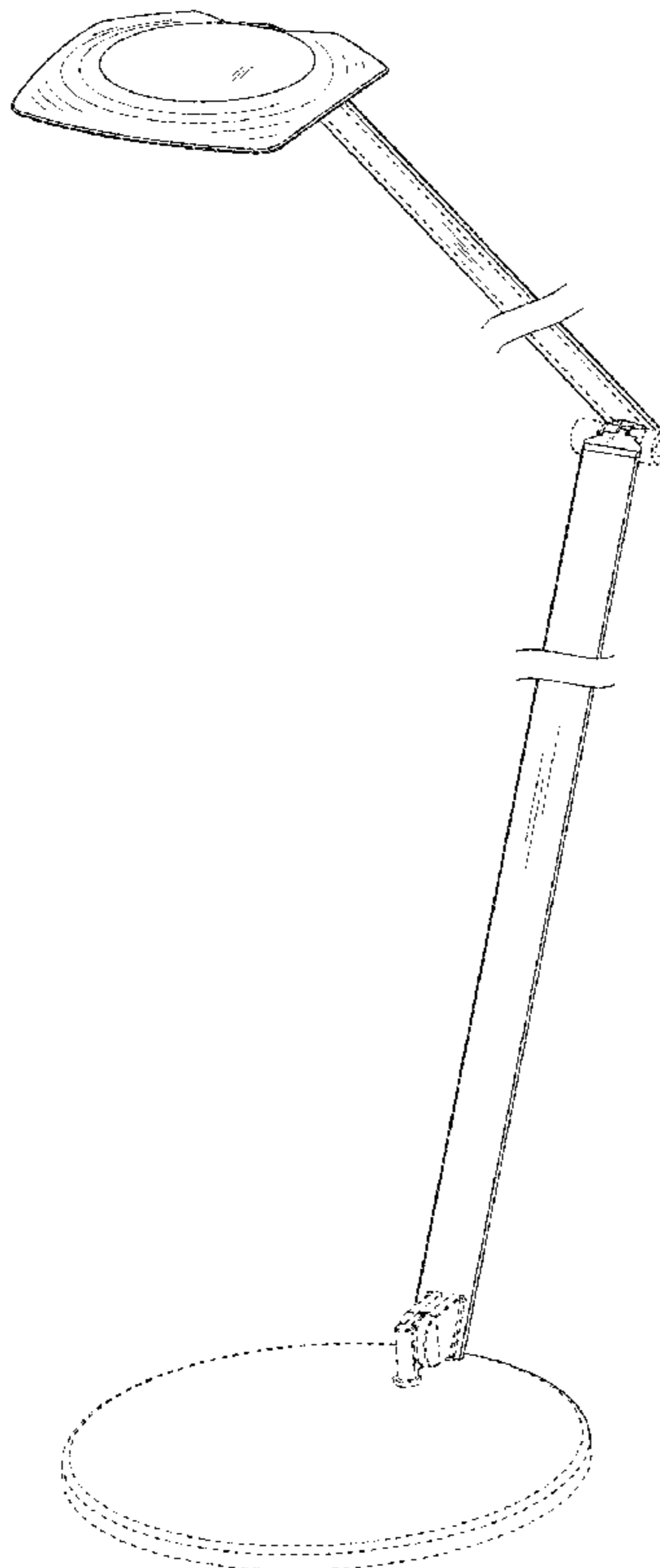
FIG. 6 is a top view thereof; and,

FIG. 7 is a bottom view thereof.

Elements of the lamp have been broken away in all figures of the drawing to indicate that no particular length is claimed.

The portions of the lamp shown in broken lines form no part of the claimed design.

1 Claim, 7 Drawing Sheets



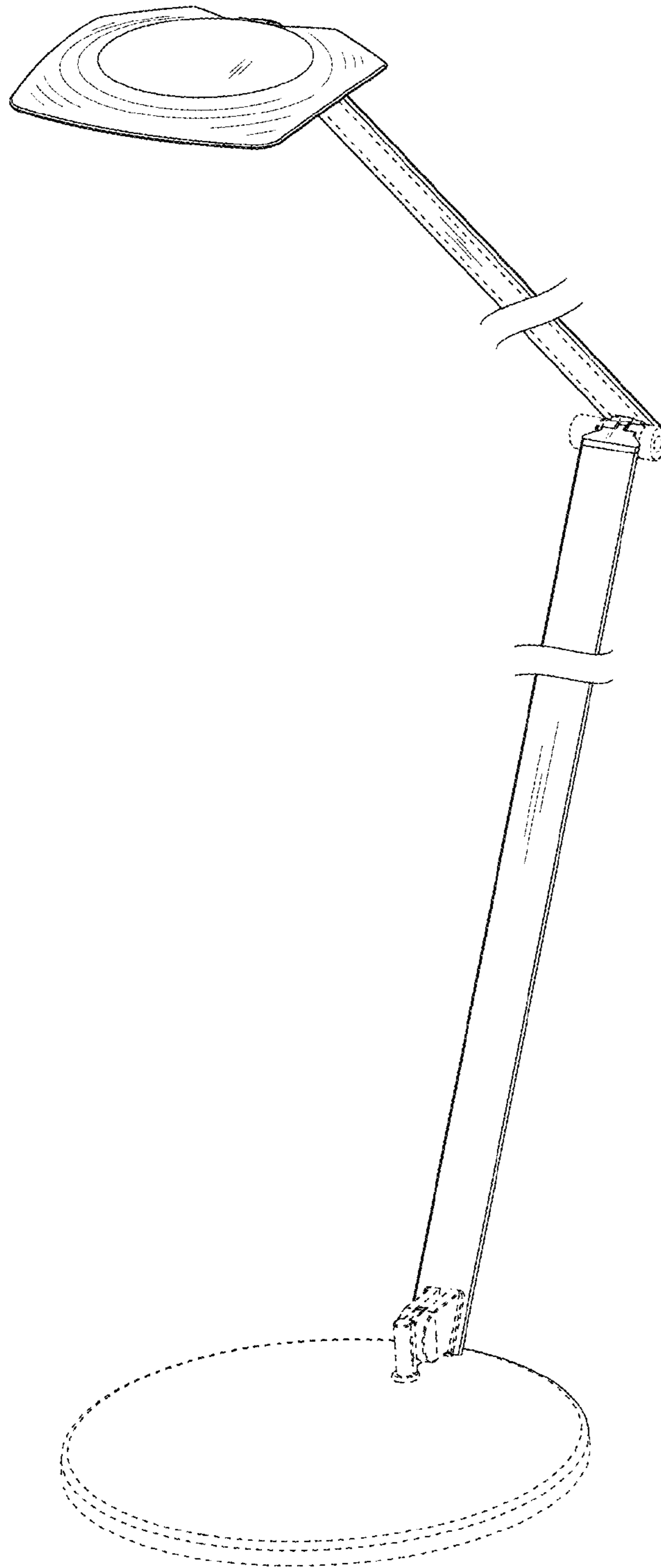


Fig. 1

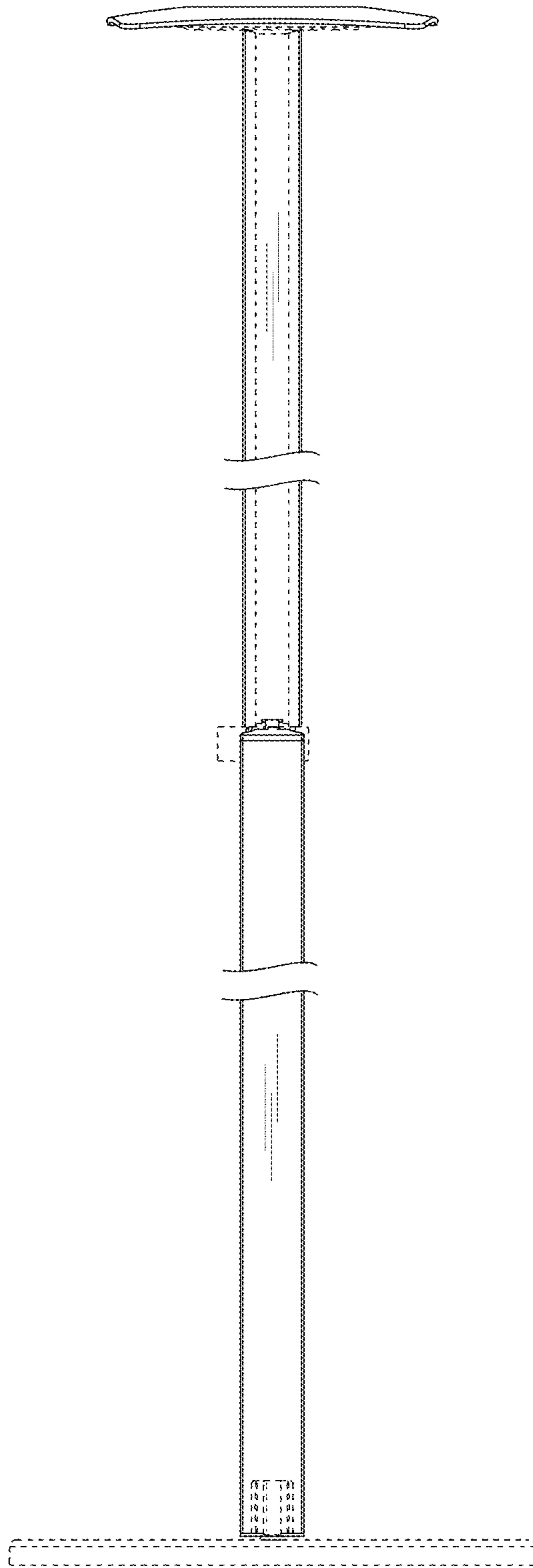


Fig. 2

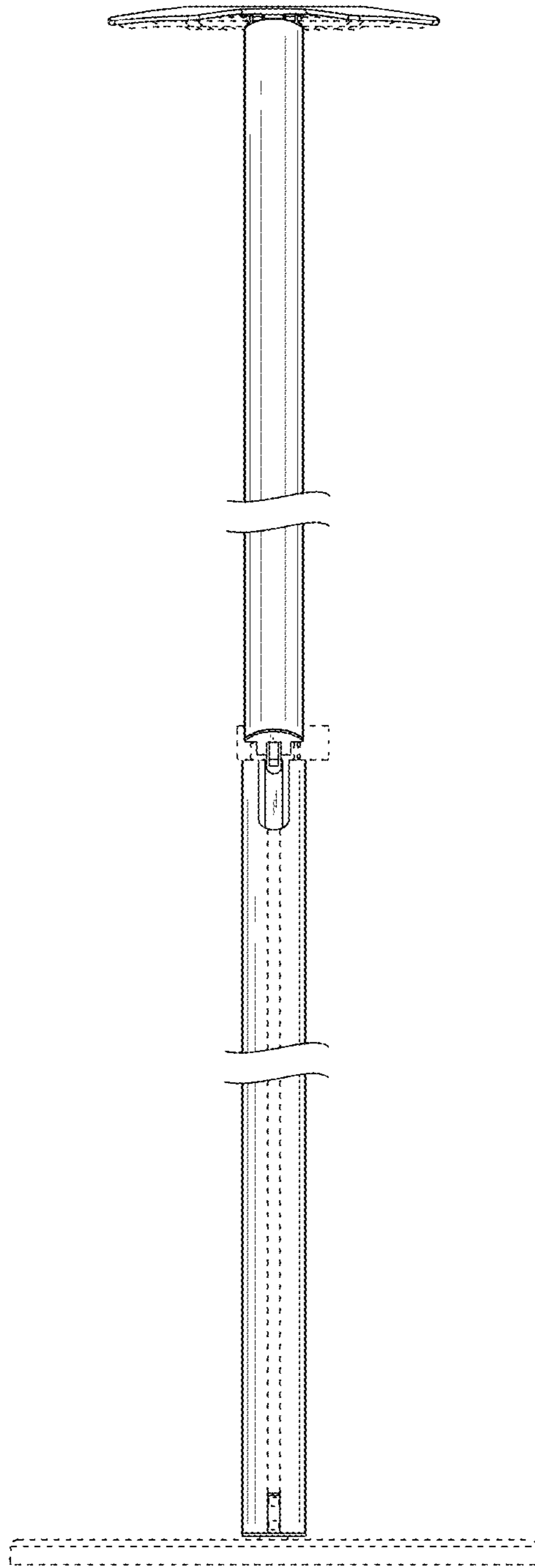


Fig. 3

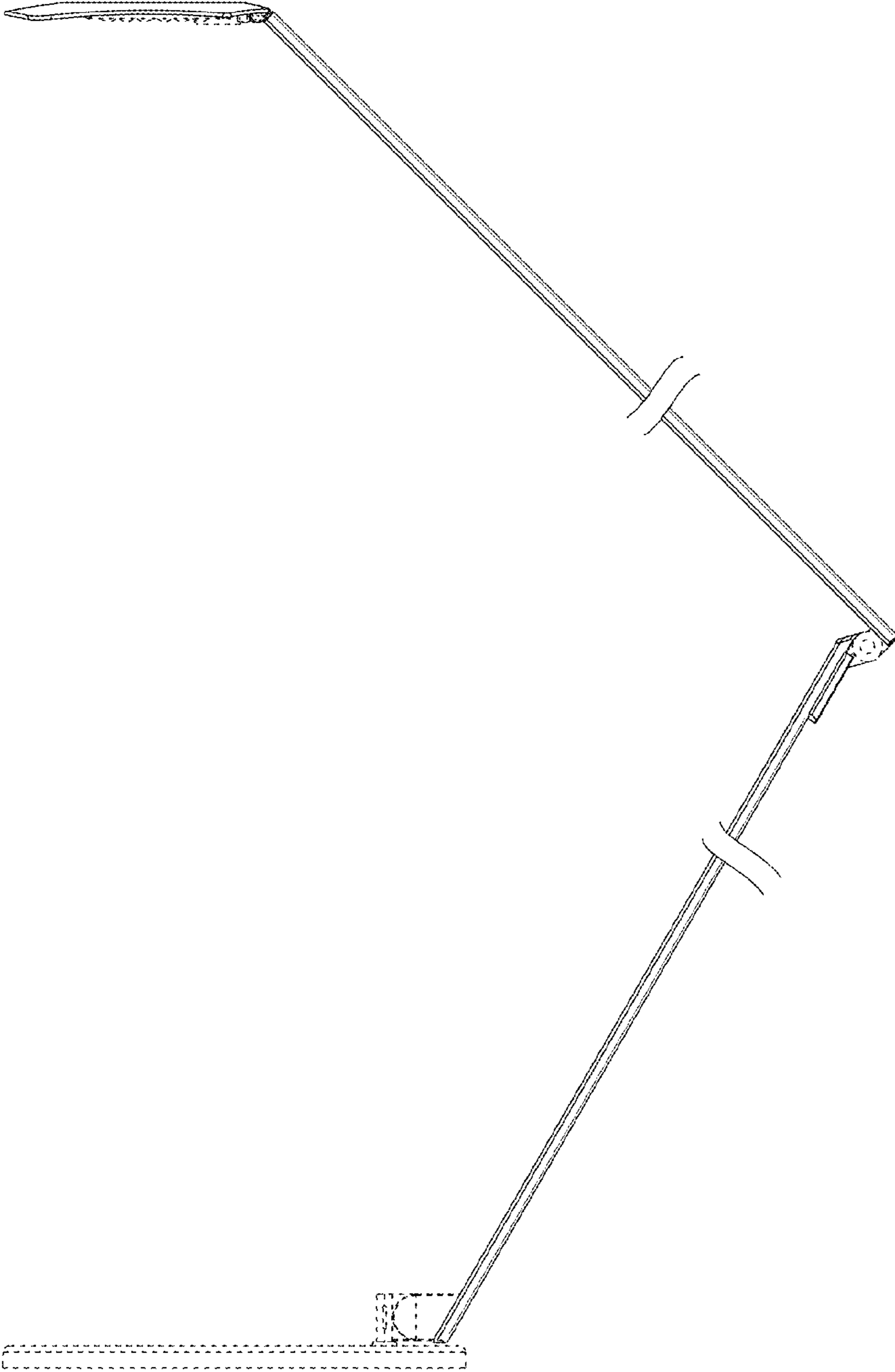


Fig. 4

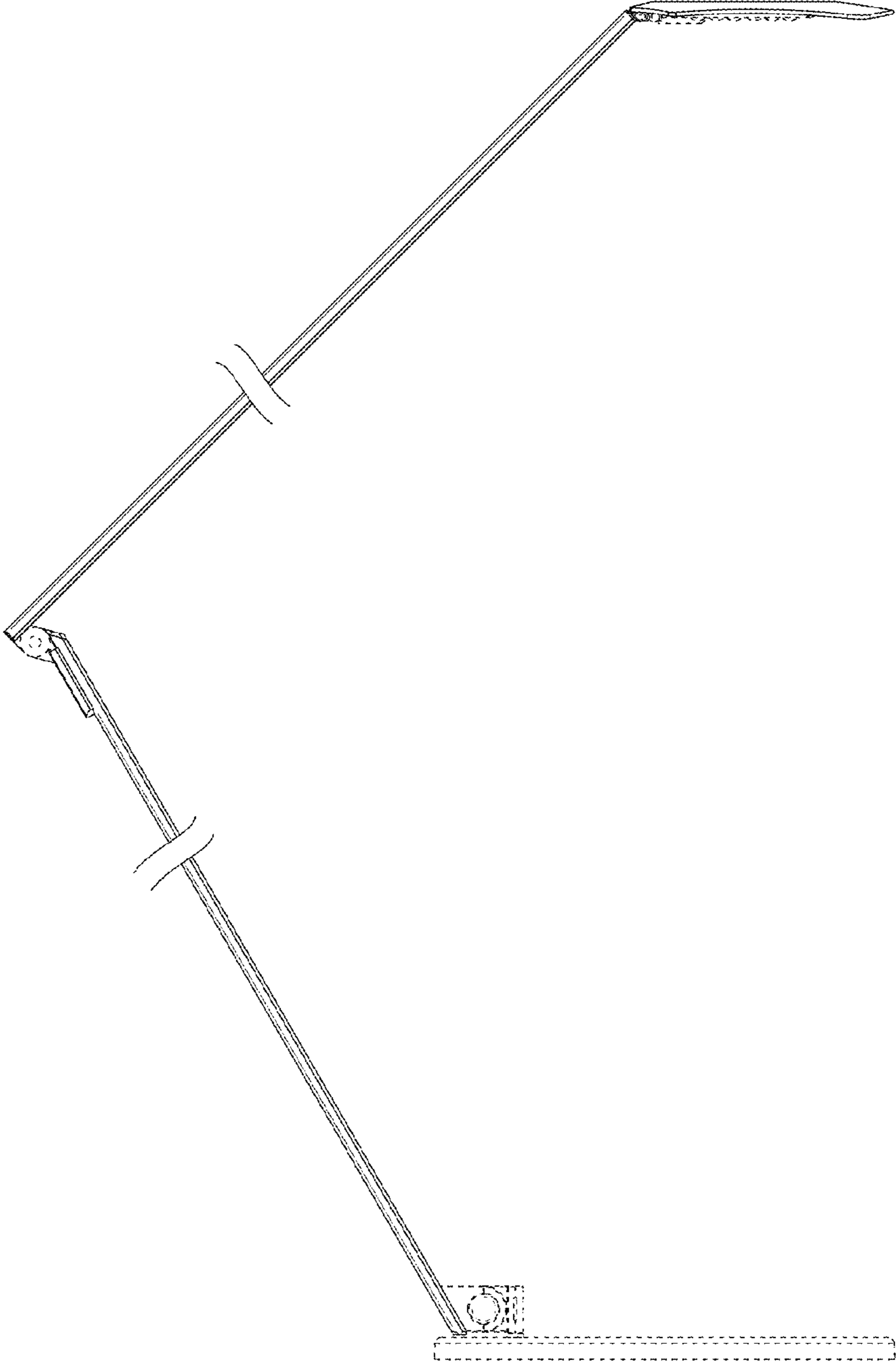


Fig. 5

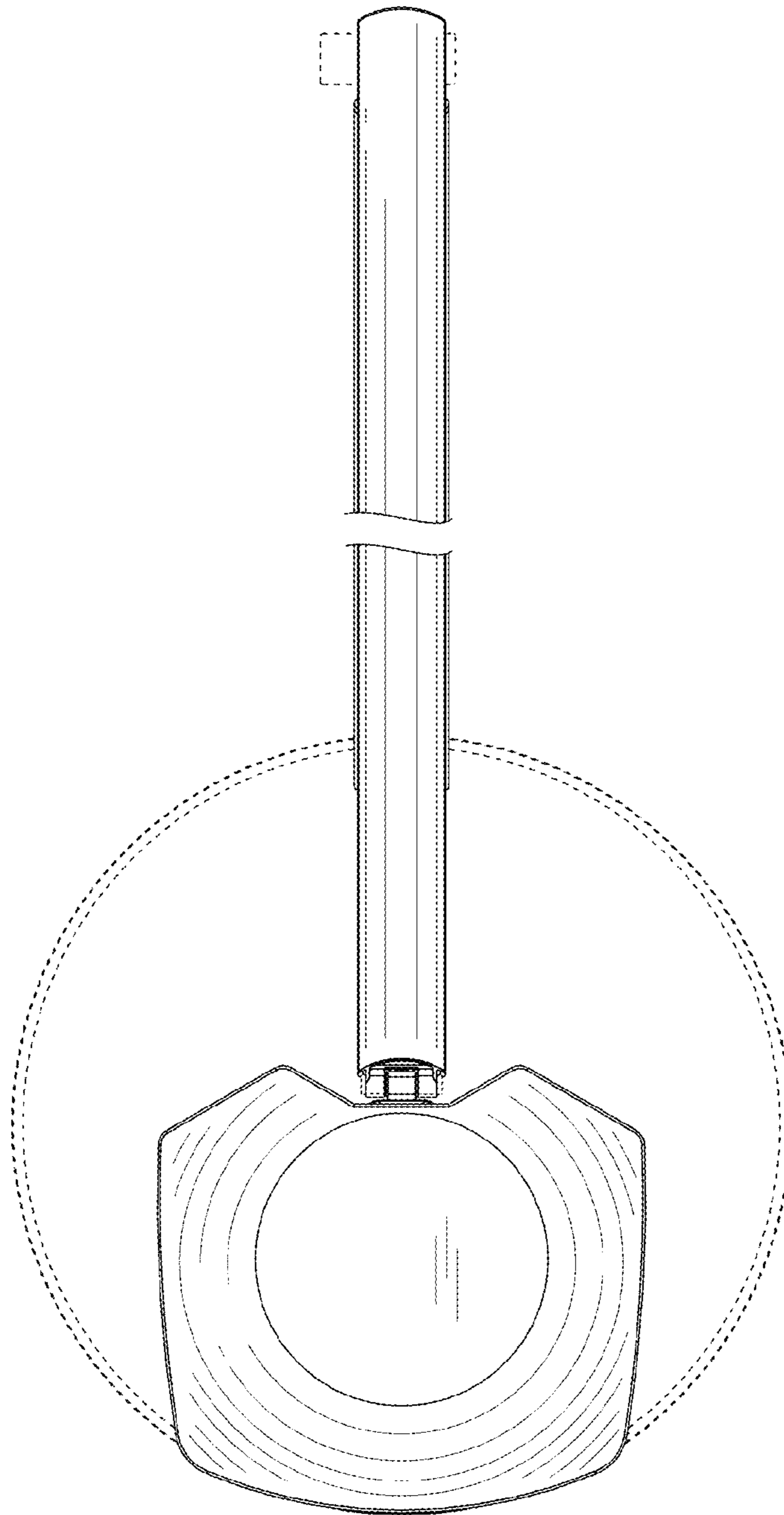


Fig. 6

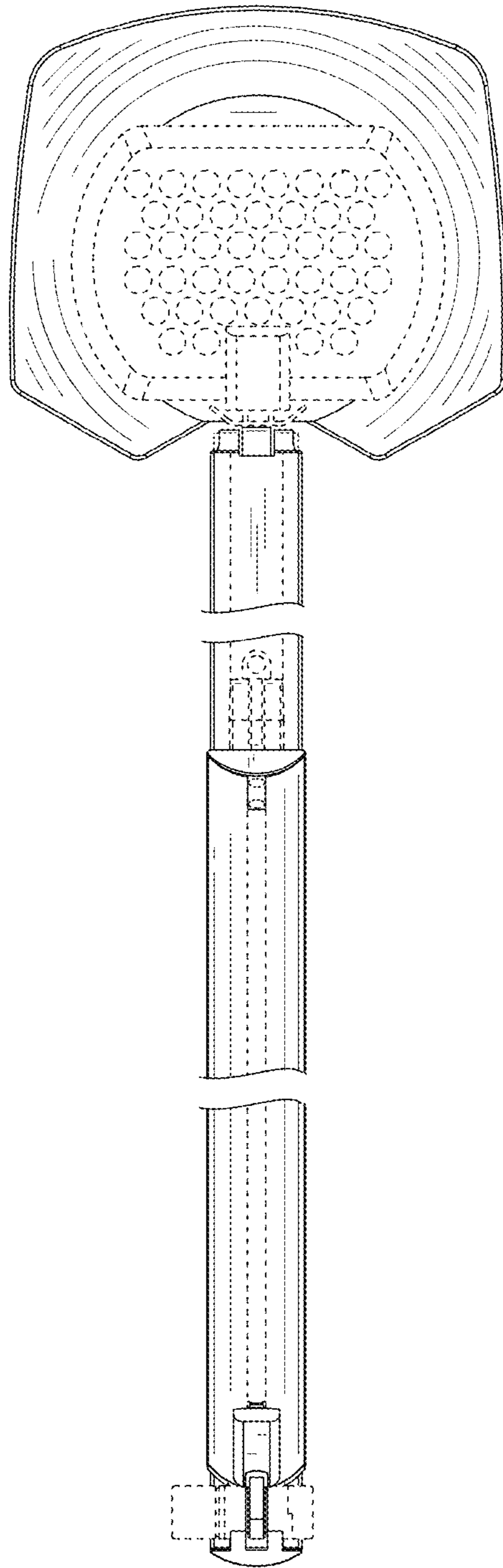


Fig. 7