

US00D690044S

(12) **United States Design Patent**
Ng et al.

(10) **Patent No.:** **US D690,044 S**
(45) **Date of Patent:** **** Sep. 17, 2013**

(54) **LAMP**

(75) Inventors: **Kenneth Ng**, Alhambra, CA (US);
Edmund Ng, Pasadena, CA (US); **Peter Ng**, Hong Kong (CN)

(73) Assignee: **Koncept Technologies Inc.**, Monrovia, CA (US)

(**) Term: **14 Years**

(21) Appl. No.: **29/406,983**

(22) Filed: **Nov. 21, 2011**

(51) **LOC (9) Cl.** **26-03**

(52) **U.S. Cl.**
USPC **D26/65**

(58) **Field of Classification Search**
USPC D26/24, 61-67, 93, 102, 104-105,
D26/108-10, 107; 362/509, 516, 523, 186,
362/217, 255, 257, 277, 317, 319, 351, 354,
362/355, 357, 358, 362, 382, 410, 413, 417,
362/806

See application file for complete search history.

(56) **References Cited**

U.S. PATENT DOCUMENTS

D330,266 S *	10/1992	Lin	D26/65
D523,164 S *	6/2006	Ng	D26/65
D527,132 S *	8/2006	Citterio	D26/65
D603,993 S *	11/2009	Sabernig	D26/65
D620,165 S *	7/2010	Huang	D26/63

D622,885 S *	8/2010	Ng et al.	D26/65
D628,729 S *	12/2010	Citterio	D26/65
D635,707 S *	4/2011	Ng et al.	D26/65
D640,818 S *	6/2011	Ng et al.	D26/65
D662,639 S *	6/2012	Ng et al.	D26/65
D663,062 S *	7/2012	Ng et al.	D26/65
D667,982 S *	9/2012	Meda et al.	D26/65

* cited by examiner

Primary Examiner — Brian N Vinson

(74) *Attorney, Agent, or Firm* — Foley & Lardner LLP

(57) **CLAIM**

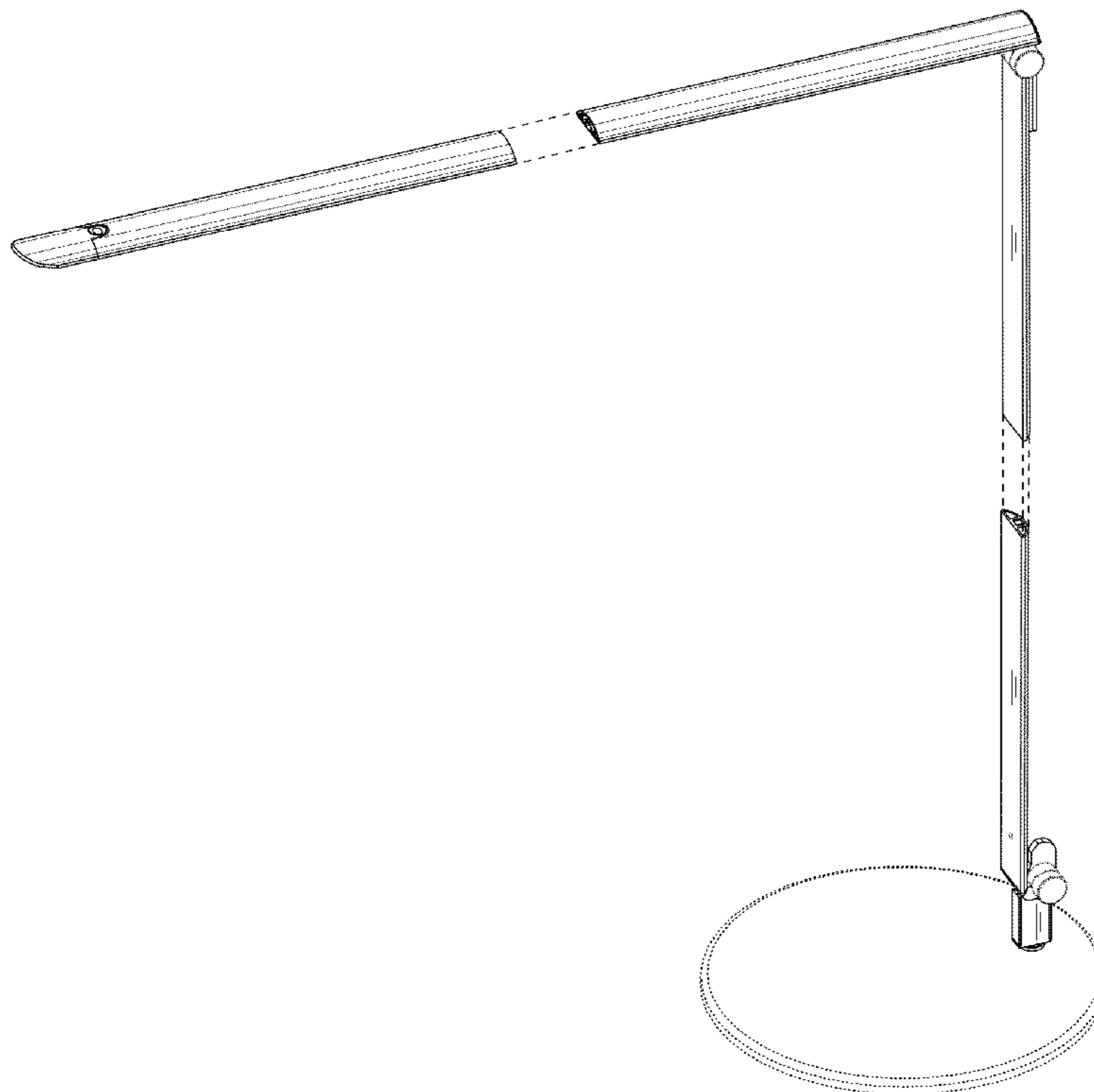
The ornamental design for a lamp, as shown.

DESCRIPTION

FIG. 1 is a perspective view of a lamp showing our new design;
FIG. 2 is a left side view thereof;
FIG. 3 is a right side view thereof;
FIG. 4 is a front view thereof;
FIG. 5 is a rear view thereof;
FIG. 6 is a top view thereof; and,
FIG. 7 is a bottom view thereof.

Elements of the lamp have been broken away in all figures of the drawing to indicate that no particular length is claimed. Elements drawn in broken lines are understood to be for illustrative purposes only and form no part of the claimed design.

1 Claim, 7 Drawing Sheets



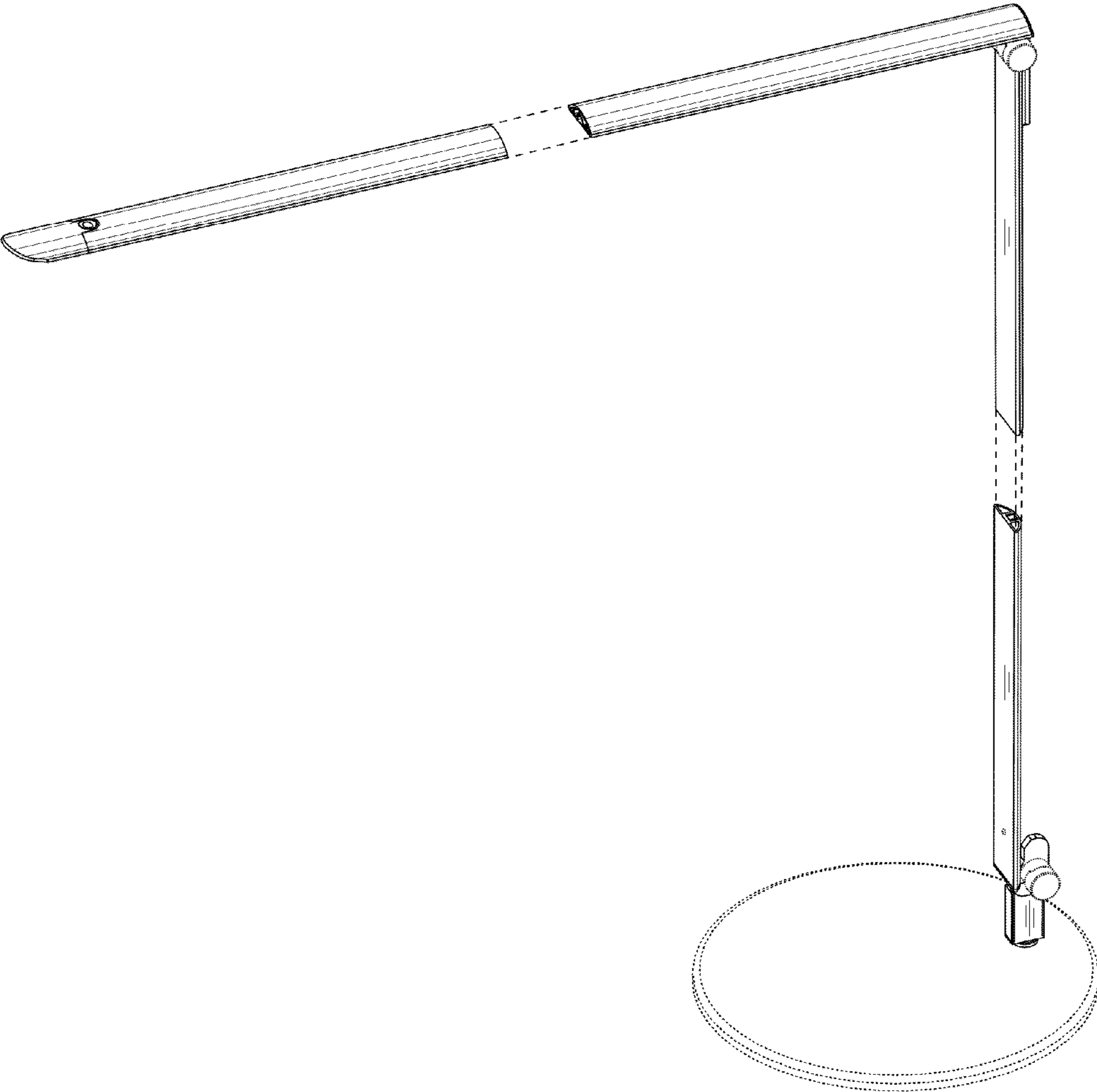


FIG. 1

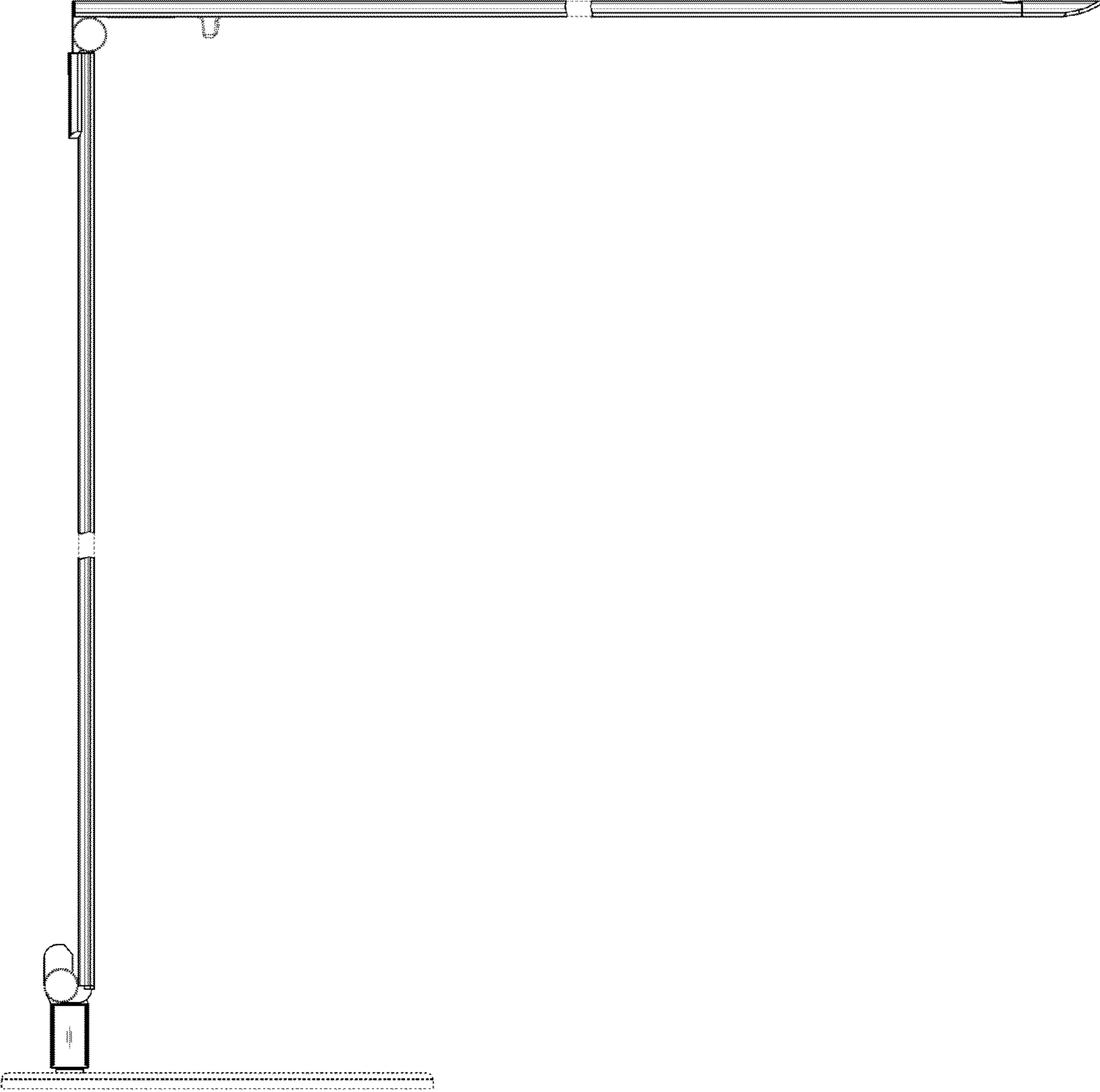


FIG. 2

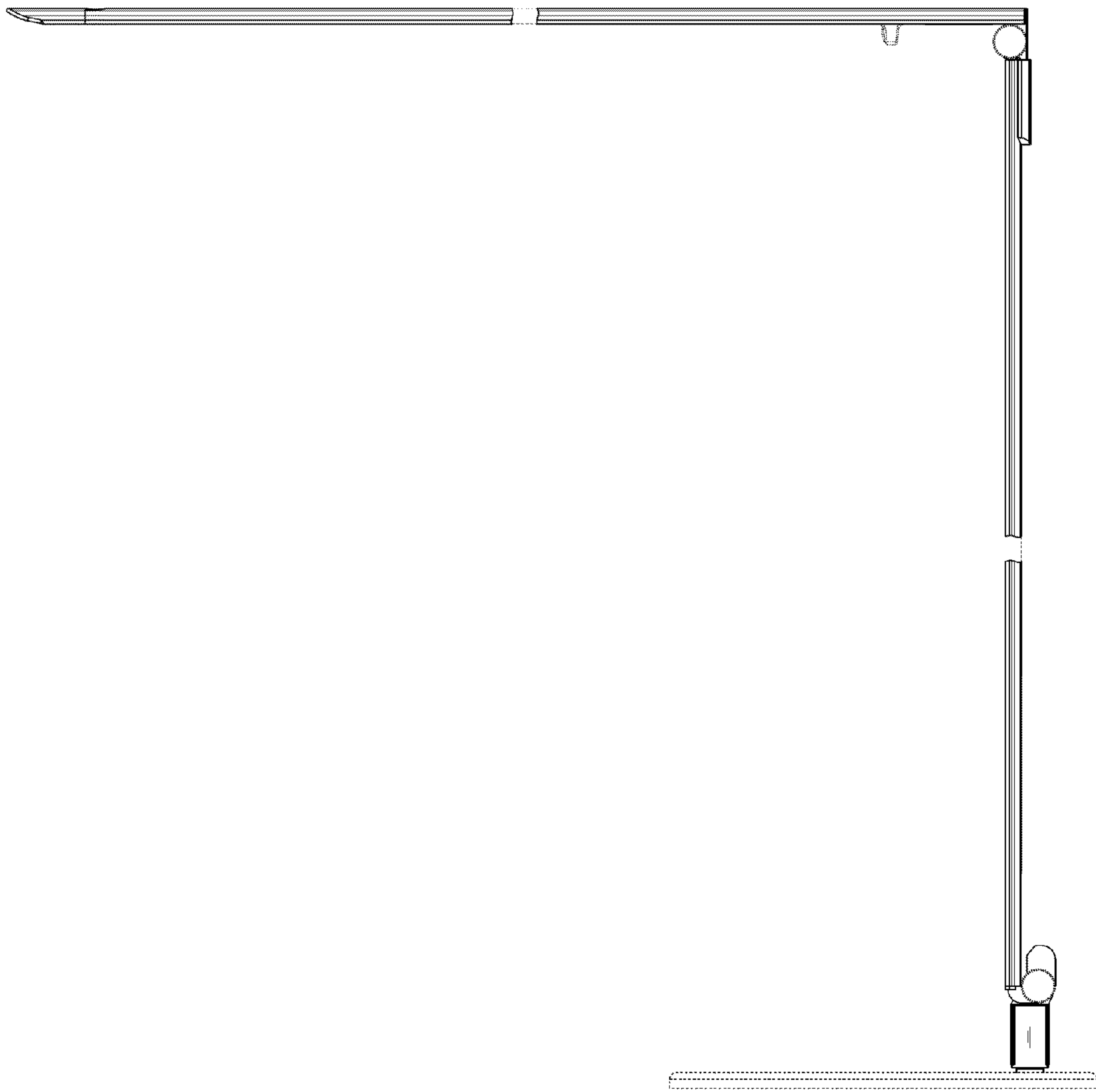


FIG. 3

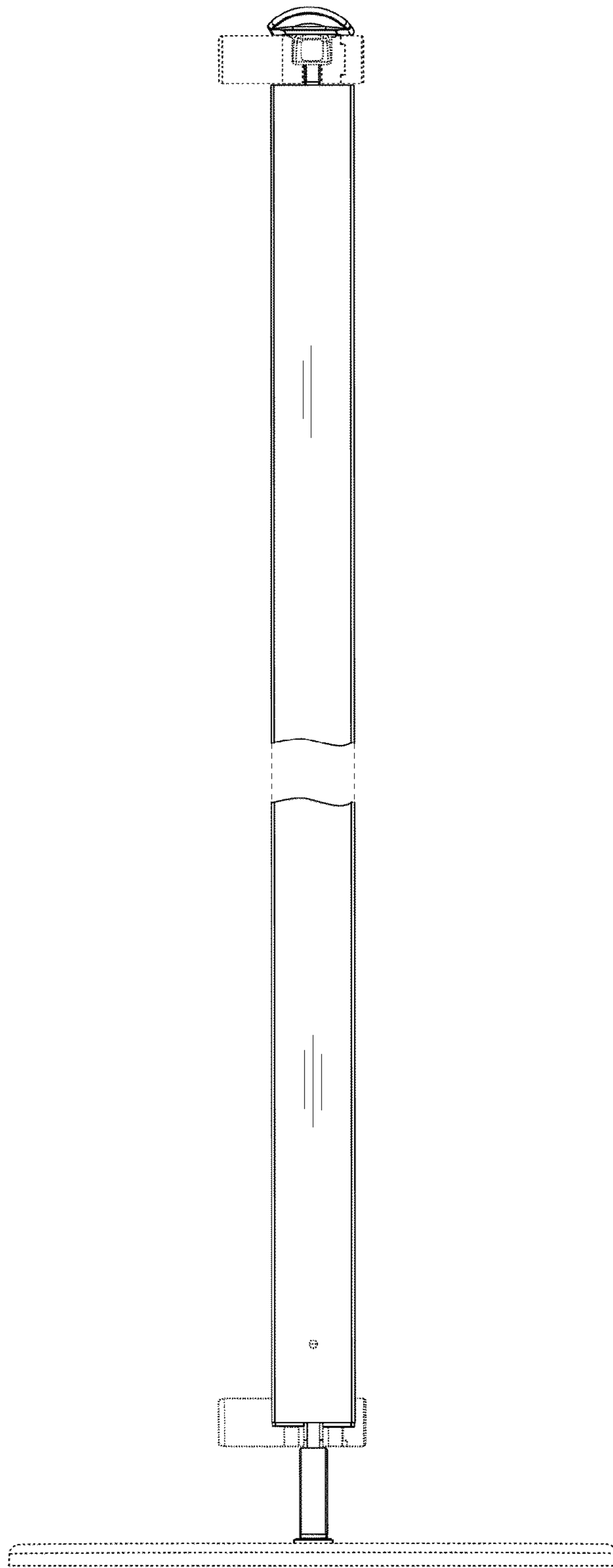


FIG. 4

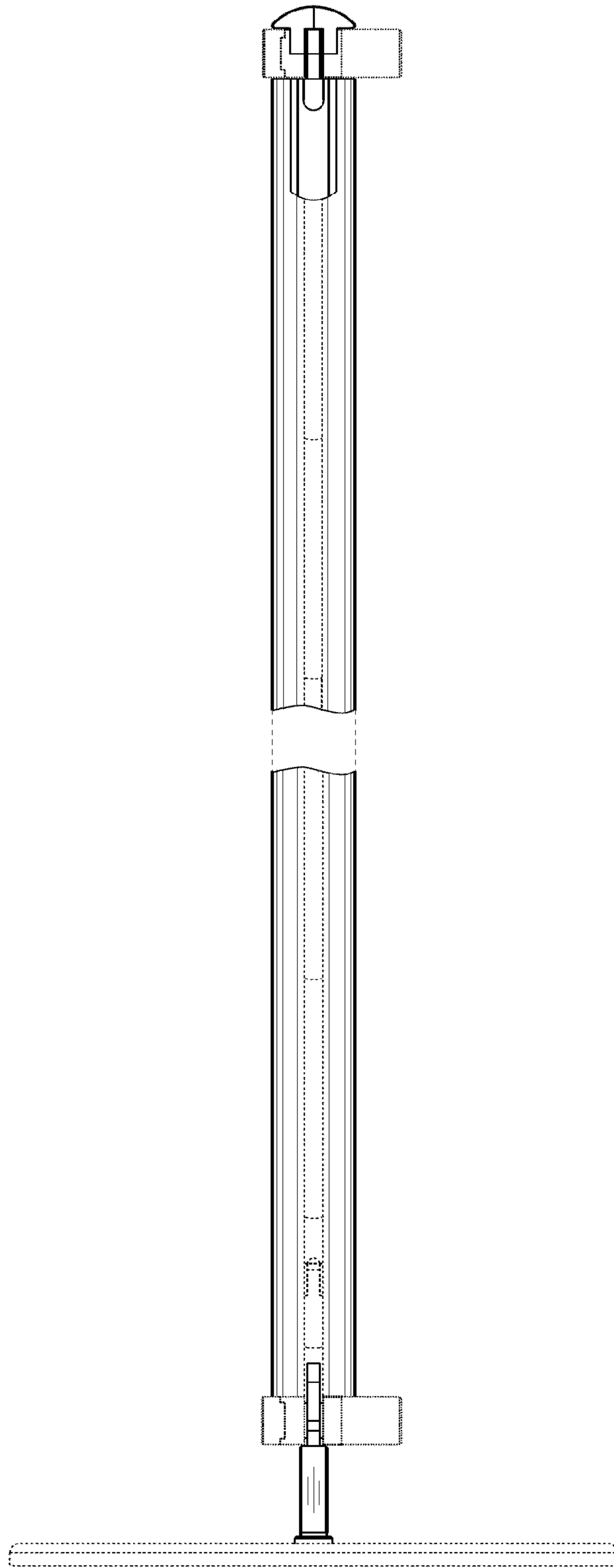


FIG. 5

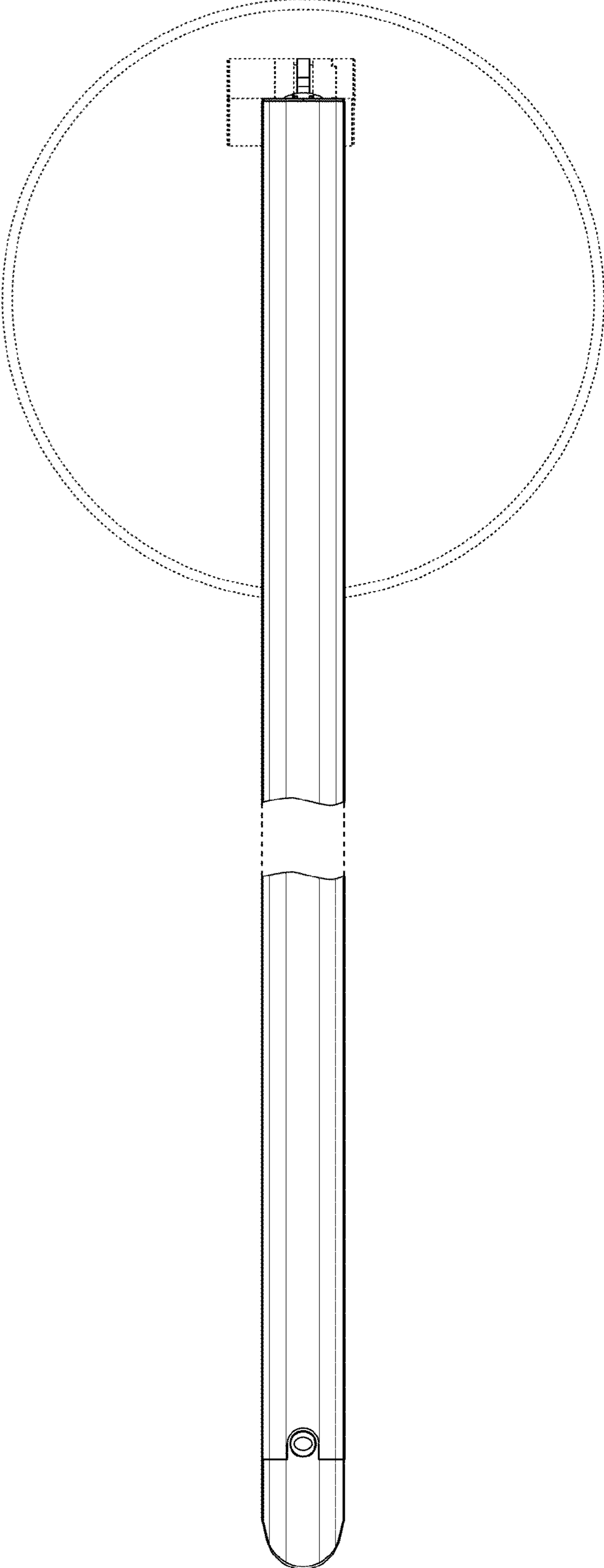


FIG. 6

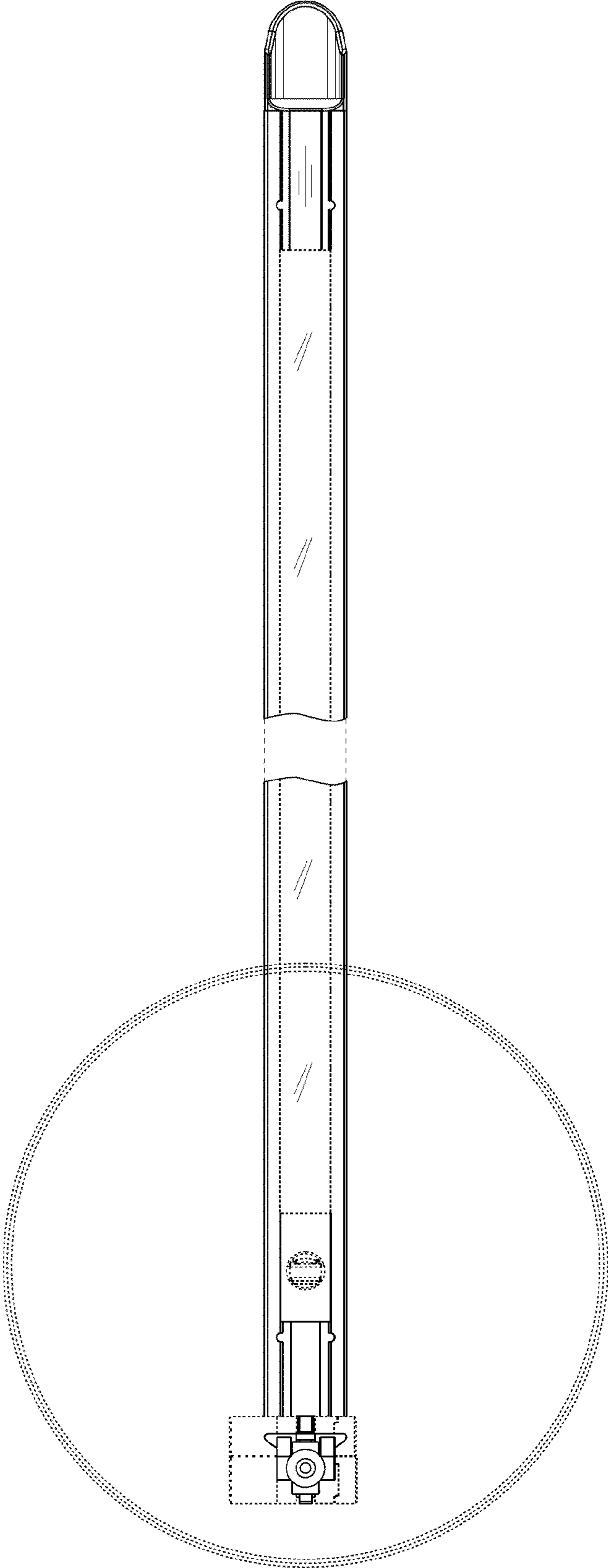


FIG. 7